

CHEVROLET



PARTS AND ACCESSORIES CATALOG

**effective
October
1972**

**1953—1973
CORVETTE**

P&A 30B

CORVETTE REAR AXLE IDENTIFICATION (Cont.)

| Type | Plant Identification | Type | Plant Identification |
|---------------------------------|-------------------------|---------------------------------|-------------------------|
| 1971 | | | |
| Positraction (3.55 ratio) | AA | Positraction (3.08 ratio) | AW |
| Positraction (3.70 ratio) | AB | Positraction (3.36 ratio) | AX |
| Positraction (4.11 ratio) | AC | Positraction (3.36 ratio) | LR |
| Positraction (4.56 ratio) | AD | | |
| 1972-75 | | | |
| Positraction (3.36 ratio) | AX | Positraction (3.55 ratio) | AA |
| Positraction (3.36 ratio) | LR | Positraction (3.08 ratio) | AW |
| Positraction (4.11 ratio) | AC | Positraction (2.73 ratio) | AV |
| Positraction (3.70 ratio) | AB | | |

CORVETTE BASIC ENGINE DATA & POWER TEAMS

1953

| Engine | Cu. In. Displ. | Comp. Ratio | Bore | Stroke | Gross H.P. | Net H.P. | Carburetor | Transmission |
|-----------------|----------------|-------------|---------|----------|-------------------|-------------------|-------------------------------|--------------|
| Corvette 6 cyl. | 235 | 8.0 | 3-9/16" | 3-15/16" | 150 @ 4200 RPM | 140 @ 4200 RPM | 3-Side Draft Single Barrel | Powerglide |

1954-1955 (1st Series)

| | | | | | | | | |
|-----------------|-----|-----|---------|----------|-------------------|-------------------|-------------------------------|------------|
| Corvette 6 cyl. | 235 | 8.0 | 3-9/16" | 3-15/16" | 150 @ 4200 RPM | 140 @ 4200 RPM | 3-Side Draft Single Barrel | Powerglide |
|-----------------|-----|-----|---------|----------|-------------------|-------------------|-------------------------------|------------|

1955 (2nd Series)

| | | | | | | | | |
|-----------------|-----|-----|--------|----|-------------------|-------------------|-------------------------------|------------|
| Corvette 6 cyl. | 235 | 8.0 | 3-3/4" | 3" | 155 @ 4200 RPM | 140 @ 4000 RPM | 3-Side Draft Single Barrel | Powerglide |
| Corvette 8 cyl. | 265 | 8.0 | 3-3/4" | 3" | 195 @ 5000 RPM | 180 @ 4800 RPM | 4-Barrel | Powerglide |
| Corvette 8 cyl. | 265 | 8.0 | 3-3/4" | 3" | 195 @ 5000 RPM | 180 @ 4800 RPM | 4-Barrel | 3-Speed |

1956

| | | | | | | | | |
|-----------------|-----|------|--------|----|-------------------|-------------------|------------------|-----------------------|
| Corvette 8 cyl. | 265 | 9.25 | 3-3/4" | 3" | 210 @ 5200 RPM | 180 @ 4600 RPM | 4-Barrel | 3-Speed Powerglide |
| Corvette 8 cyl. | 265 | 9.25 | 3-3/4" | 3" | 225 @ 5200 RPM | 196 @ 4800 RPM | Dual 4-Barrel | 3-Speed Powerglide |

1957

| | | | | | | | | |
|------------------|-----|------|--------|----|-------------------|-------------------|------------------|---------------------------|
| Corvette 8 cyl. | 283 | 9.5 | 3-7/8" | 3" | 220 @ 4800 RPM | 190 @ 4600 RPM | 4-Barrel | Close-Ratio Powerglide |
| Corvette 8 cyl. | 283 | 9.5 | 3-7/8" | 3" | 245 @ 5000 RPM | 215 @ 4800 RPM | Dual 4-Barrel | Close-Ratio Powerglide |
| Corvette 8 cyl. | 283 | 9.5 | 3-7/8" | 3" | 250 @ 5000 RPM | 225 @ 4800 RPM | Fuel Injection | Close-Ratio Powerglide |
| *Corvette 8 cyl. | 283 | 9.5 | 3-7/8" | 3" | 270 @ 6000 RPM | 230 @ 6000 RPM | Dual 4-Barrel | Close-Ratio |
| *Corvette 8 cyl. | 283 | 10.5 | 3-7/8" | 3" | 283 @ 6200 RPM | 240 @ 5800 RPM | Fuel Injection | Close-Ratio |

*MAXIMUM performance engines have special performance-type camshaft, high-speed valve system and mechanical valve lifters. All other engines have hydraulic valve lifters.

CORVETTE BASIC ENGINE DATA & POWER TEAMS (Cont.)

1958

| Engine | Cu. In. Displ. | Comp. Ratio | Bore | Stroke | Gross H.P. | Net H.P. | Carburetor | Transmission |
|------------------|----------------|-------------|--------|--------|-------------------|-------------------|----------------|----------------------|
| Corvette-8 cyl. | 283 | 9.5 | 3-7/8" | 3" | 230 @ 4800 RPM | 195 @ 4600 RPM | 4-Barrel | 3-Speed, 4-Speed, PG |
| Corvette-8 cyl. | 283 | 9.5 | 3-7/8" | 3" | 245 @ 5000 RPM | 215 @ 4800 RPM | Dual 4-Barrel | 3-Speed, 4-Speed, PG |
| *Corvette-8 cyl. | 283 | 9.5 | 3-7/8" | 3" | 270 @ 6000 RPM | 230 @ 6000 RPM | Dual 4-Barrel | 3-Speed, 4-Speed |
| Corvette-8 cyl. | 283 | 9.5 | 3-7/8" | 3" | 250 @ 5000 RPM | 225 @ 4800 RPM | Fuel Injection | 3-Speed, 4-Speed, PG |
| *Corvette-8 cyl. | 283 | 10.5 | 3-7/8" | 3" | 290 @ 6200 RPM | 245 @ 5600 RPM | Fuel Injection | 3-Speed, 4-Speed |

*MAXIMUM performance engines have special performance-type camshaft, high speed valve system and mechanical valve lifters. All other engines have hydraulic valve lifters.

1959

| | | | | | | | | |
|------------------|-----|------|--------|----|-------------------|-------------------|----------------|------------------|
| Corvette-8 cyl. | 283 | 9.5 | 3-7/8" | 3" | 230 @ 4800 RPM | 195 @ 4600 RPM | 4-Barrel | 3 or 4-Speed, PG |
| Corvette-8 cyl. | 283 | 9.5 | 3-7/8" | 3" | 245 @ 5000 RPM | 215 @ 4800 RPM | Dual 4-Barrel | 3 or 4-Speed, PG |
| ●Corvette-8 cyl. | 283 | 9.5 | 3-7/8" | 3" | 270 @ 6000 RPM | 230 @ 6000 RPM | Dual 4-Barrel | 3 or 4-Speed |
| Corvette-8 cyl. | 283 | 9.5 | 3-7/8" | 3" | 250 @ 5000 RPM | 225 @ 4800 RPM | Fuel Injection | 3 or 4-Speed, PG |
| Corvette-8 cyl. | 283 | 10.5 | 3-7/8" | 3" | 290 @ 6200 RPM | 245 @ 5600 RPM | Fuel Injection | 3 or 4-Speed |

●NOTE: Includes special performance type camshaft.

1960-1961

| | | | | | | | | |
|------------------|-----|------|--------|----|-------------------|-------------------|----------------|------------------|
| Corvette-8 cyl. | 283 | 9.5 | 3-7/8" | 3" | 230 @ 4800 RPM | 195 @ 4600 RPM | 4-Barrel | 3 or 4-Speed, PG |
| Corvette-8 cyl. | 283 | 9.5 | 3-7/8" | 3" | 245 @ 5000 RPM | 215 @ 4800 RPM | Dual 4-Barrel | 3 or 4-Speed, PG |
| ●Corvette-8 cyl. | 283 | 9.5 | 3-7/8" | 3" | 270 @ 6000 RPM | 230 @ 6000 RPM | Dual 4-Barrel | 3 or 4-Speed |
| Corvette-8 cyl. | 283 | 11.0 | 3-7/8" | 3" | 275 @ 5200 RPM | — | Fuel Injection | 3 or 4-Speed |
| ●Corvette-8 cyl. | 283 | 11.0 | 3-7/8" | 3" | 315 @ 6200 RPM | — | Fuel Injection | 3 or 4-Speed |

●NOTE: Includes special performance type camshaft

CORVETTE BASIC ENGINE DATA & POWER TEAMS (Cont.)

1962

| Engine | Cu. In. Displ. | Comp. Ratio | Bore | Stroke | Gross H.P. | Net H.P. | Carburetor | Transmission |
|-----------------|----------------|-------------|------|--------|-------------------|-------------------|----------------|------------------|
| Corvette-8 cyl. | 327 | 10.5 | 4" | 3-1/4" | 250 @ 4400 RPM | 210 @ 4400 RPM | 4-Barrel | 3 or 4-Speed, PG |
| Corvette-8 cyl. | 327 | 10.5 | 4" | 3-1/4" | 300 @ 5000 RPM | — | Large 4-Barrel | 3 or 4-Speed, PG |
| Corvette-8 cyl. | 327 | 11.25 | 4" | 3-1/4" | 340 @ 6000 RPM | — | Large 4-Barrel | 3 or 4-Speed |
| Corvette-8 cyl. | 327 | 11.25 | 4" | 3-1/4" | 360 @ 6000 RPM | — | Fuel Injection | 3 or 4-Speed |

1963

| | | | | | | | | |
|------------|-----|-------|----|--------|-------------------|-------------------|----------------|--------------------|
| 327-8 cyl. | 327 | 10.5 | 4" | 3-1/4" | 250 @ 5000 RPM | 210 @ 4400 RPM | 4-Barrel | 3-SPD., 4-SPD., PG |
| 327-8 cyl. | 327 | 10.5 | 4" | 3-1/4" | 300 @ 500 RPM | — | Large 4-Barrel | 3-SPD., 4-SPD., PG |
| 327-8 cyl. | 327 | 11.25 | 4" | 3-1/4" | 340 @ 6000 RPM | — | Large 4-Barrel | 3-SPD., 4-SPD. |
| 327-8 cyl. | 327 | 11.25 | 4" | 3-1/4" | 360 @ 6000 RPM | — | Fuel Injection | 3-SPD., 4-SPD. |

1964

| | | | | | | | | |
|------------|-----|-------|----|--------|--------------------------|-------------------|----------------|--------------------|
| 327-8 cyl. | 327 | 10.5 | 4" | 3-1/4" | 250 @ 4400 RPM | 210 @ 4400 RPM | 4-Barrel | 3-SPD., 4-SPD., PG |
| 327-8 cyl. | 327 | 10.5 | 4" | 3-1/4" | 300 @ 5000 RPM | — | Large 4-Barrel | 3-SPD., 4-SPD., PG |
| 327-8 cyl. | 327 | 11.25 | 4" | 3-1/4" | 365 @ 4000 RPM | — | Large 4-Barrel | 3-SPD., 4-SPD. |
| 327-8 cyl. | 327 | 11.25 | 4" | 3-1/4" | 375 @ 44- 4800 RPM | — | F.I. | 3-SPD., 4-SPD. |

CORVETTE BASIC ENGINE DATA & POWER TEAMS (Cont.)

1965

| Engine | Cu. In. Displ. | Comp. Ratio | Bore | Stroke | Gross H.P. | Net H.P. | Carburetor | Transmission |
|------------|----------------|-------------|---------|----------|----------------|----------------|--------------------------------|--------------------|
| 327-8 cyl. | 327 | 10.5 | 4" | 3-1/4" | 250 @ 4400 RPM | 210 @ 4400 RPM | 4-Barrel | 3-SPD., 4-SPD., PG |
| 327-8 cyl. | 327 | 10.5 | 4" | 3-1/4" | 300 @ 5000 RPM | — | Large 4-Barrel | 3-SPD., 4-SPD., PG |
| 327-8 cyl. | 327 | 11.0 | 4" | 3-1/4" | 350 @ 5800 RPM | — | Large 4-Barrel (Hyd. Lifters) | 3-SPD., 4-SPD. |
| 327-8 cyl. | 327 | 11.0 | 4" | 3-1/4" | 365 | — | Large 4-Barrel (Mech. Lifters) | 3-SPD., 4-SPD. |
| 327-8 cyl. | 327 | 11.0 | 4" | 3-1/4" | 375 | — | F.I. (Mech. Lifters) | 3-SPD., 4-SPD. |
| 396-8 cyl. | 396 | 11.0 | 4-3/32" | 3-49/64" | 425 @ 6400 RPM | — | 4-Barrel | 4-SPD. |

1966

| | | | | | | | | |
|------------|-----|-------|--------|----------|----------------|---|-------------------------------|--------------------|
| 327-8 cyl. | 327 | 10.5 | 4" | 3-1/4" | 300 @ 5000 RPM | — | Large 4-Barrel | 3-SPD., 4-SPD., PG |
| 327-8 cyl. | 327 | 11.0 | 4" | 3-1/4" | 350 @ 5800 RPM | — | Large 4-Barrel (Hyd. Lifters) | 3-SPD., 4-SPD. |
| 427-8 cyl. | 427 | 10.25 | 4-1/4" | 3-49/64" | 390 @ 5400 RPM | — | Large 4-Barrel (Hyd. Lifters) | 4-SPD. |
| 427-8 cyl. | 427 | 11.0 | 4-1/4" | 3-49/64" | 425 @ 6400 RPM | — | F.I. (Mech. Lifters) | 4-SPD. |

1967

| | | | | | | | | |
|-----------------------|-----|-------|--------|----------|----------------|---|------------------------------|--------------------|
| Turbo-Fire 327-8 cyl. | 327 | 10.25 | 4" | 3-1/4" | 300 @ 5000 RPM | — | 4-Barrel | 3-SPD., 4-SPD., PG |
| Turbo-Fire 327-8 cyl. | 327 | 11.0 | 4" | 3-1/4" | 350 @ 5800 RPM | — | 4-Barrel | 3-SPD., 4-SPD. |
| Turbo-Jet 427-8 cyl. | 427 | 10.25 | 4-1/4" | 3-49/64" | — | — | 4-Barrel | 3-SPD., 4-SPD., TH |
| Tubro-Jet 427-8 cyl. | 427 | 10.25 | 4-1/4" | 3-49/64" | — | — | 4-Barrel | 3-SPD., 4-SPD., PG |
| Turbo-Jet 427-8 cyl. | 427 | 10.25 | 4-1/4" | 3-49/64" | — | — | 3 x 2 Barrel | 4-SPD., PG |
| Turbo-Jet 427-8 cyl. | 427 | 11.0 | 4-1/4" | 3-49/64" | — | — | 3 x 2 Barrel (Mech. Lifters) | 4-SPD. |

CORVETTE BASIC ENGINE DATA & POWER TEAMS (Cont.)

1968

| Engine | Cu. In. Displ. | Comp. Ratio | Bore | Stroke | Gross H.P. | Net H.P. | Carburetor | Transmission |
|-----------------------|----------------|-------------|--------|----------|----------------|----------|-----------------------------|--------------------|
| Turbo-Fire 327-8 cyl. | 327 | 10.0 | 4" | 3-1/4" | 300 @ 5000 RPM | — | 4-Barrel | 3-SPD., 4-SPD., TH |
| Turbo-Fire 327-8 cyl. | 327 | 11.0 | 4" | 3-1/4" | 350 @ 5800 RPM | — | 4-Barrel | 4-SPD. |
| Turbo-Jet 427-8 cyl. | 427 | 10.25 | 4-1/4" | 3-49/64" | 385 @ 5200 RPM | — | 4-Barrel | 3-SPD., 4-SPD., TH |
| Turbo-Jet 427-8 cyl. | 427 | 10.25 | 4-1/4" | 3-49/64" | 400 @ 5400 RPM | — | 3 x 2 Barrel | 4-SPD., TH |
| Turbo-Jet 427-8 cyl. | 427 | 11.0 | 4-1/4" | 3-49/64" | 435 @ 5800 RPM | — | 3 x 2 Barrel (Mech Lifters) | 4-SPD. |

1969

| | | | | | | | | |
|-----------------------|-----|-------|--------|----------|----------------|---|--------------|-------------------------|
| Turbo-Fire 350-8 cyl. | 350 | 10.25 | 4.0" | 3-31/64" | 300 @ 4800 RPM | — | 4-Barrel | 3-SPD., 4-SPD., PG T.H. |
| Turbo-Fire 350-8 cyl. | 350 | 11.0 | 4.0" | 3-31/64" | 350 @ 5600 RPM | — | 4-Barrel | 4-SPD. |
| Turbo-Jet 427-8 cyl. | 427 | 10.25 | 4-1/4" | 3-49/64" | 390 @ 5400 RPM | — | 4-Barrel | 3-SPD., 4-SPD., TH400 |
| Turbo-Jet 427-8 cyl. | 427 | 10.25 | 4-1/4" | 3-49/64" | 400 @ 54 RPM | — | 3 x 2 Barrel | 4-SPD., TH400 |
| Turbo-Jet 427-8 cyl. | 427 | 12.5 | 4-1/4" | 3-49/64" | 430 @ 5200 RPM | — | 4-Barrel | 4-SPD., TH400 |
| Turbo-Jet 427-8 cyl. | 427 | 11.0 | 4-1/4" | 3-49/64" | 435 @ 5800 RPM | — | 3 x 2 Barrel | 4-SPD., TH400 |

1970

| Engine | Cu. In. Displ. | Comp. Ratio | Bore | Stroke | Gross H.P. | Carburetor | Transmission |
|--------------------|----------------|-------------|--------|----------|-----------------|------------|---|
| Turbo-Fire 350-V-8 | 350 | 10.25 | 4.0" | 3-31/64" | 300 @ 4800 RPM | 4-Barrel | 3-SPD., 4-SPD., T.H. |
| Turbo-Fire 350-V-8 | 350 | 11.00 | 4.0" | 3-31/64" | 350 @ 5600 RPM | 4-Barrel | 4-SPD., 4-SPD. Close Ratio, T.H. |
| Turbo-Fire 350-V-8 | 350 | 11.00 | 4.0" | 3-31/64" | 370 @ 6000 RPM | 4-Barrel | 4-SPD., H.D. 4-SPD. 4-SPD., Close Ratio |
| Turbo-Jet 454-V-8 | 454 | 10.25 | 4.0" | 4.0" | 390" @ 4800 RPM | 4-Barrel | 4-SPD., 4-SPD., Close Ratio, T.H. 400 |
| Turbo-Jet 454-V-8 | 454 | 12.25 | 4-1/4" | 4.0" | 465 @ 5200 RPM | 4-Barrel | H.D. 4-SPD. |

1971

| | | | | | | | |
|--------------------|-----|-------|--------|----------|----------------|----------|---|
| Turbo-Fire 350-V-8 | 350 | 8.5:1 | 4.0" | 3-31/64" | 270@ 4800 RPM | 4-Barrel | 4-SPD., T.H. |
| Turbo-Fire 350-V-8 | 350 | 9:1 | 4.0" | 3-31/64" | 330@ 5600 RPM | 4-Barrel | 4-SPD., H.D. 4-SPD. 4-SPD., Close Ratio |
| Turbo-Jet 454-V-8 | 454 | 8.5:1 | 4-1/4" | 4.0" | 365 @ 4800 RPM | 4-Barrel | 4-SPD. 4-SPD., Close Ratio, T.H. 400 |
| Turbo-Jet 454-V-8 | 454 | 9:1 | 4-1/4" | 4.0" | 425 @ 5600 RPM | 4-Barrel | H.D. 4-SPD., T.H. 400 |

CORVETTE BASIC ENGINE DATA & POWER TEAMS (Cont.)

1972-74

| Engine | Cu. In., Displ. | Comp. Ratio | Bore | Stroke | Carburetor | Transmission |
|-----------------------|--------------------|----------------|--------|----------|------------|---|
| Turbo-Fire 350-V-8 | 350 | 8.5:1 | 4.0" | 3-31/64" | 4-Barrel | 4-Spd., T.H. 400 |
| Turbo-Fire 350-V8 | 350 | 9:1 | 4.0" | 3-31/64" | 4-Barrel | 4-Spd., 4-Spd. Close Ratio H.D. 4-Spd. |
| Turbo-Jet 454-V8 | 454 | 8.25:1 | 4-1/4" | 4.0" | 4-Barrel | 4-Spd., 4-Spd. Close Ratio, T.H. 4.00 |

1975

| Engine | Cu. In., Disp. | Comp. Ratio | Bore | Stroke | Carburetor | Transmission |
|-----------------------|-------------------|----------------|------|----------|------------|---|
| Turbo-Fire 350 V-8 | 350 | 8.5:1 | 4.0" | 3-31/64" | 4-Barrel | 4-Spd., T.H. 400 |
| Turbo-Fire 350 V-8 | 350 | 9.0:1 | 4.0" | 3-31/64" | 4-Barrel | 4-Spd., 4-Spd., Close Ratio T.H. 400 |

1963 PAINT COMBINATION CHART

| R.P.O. No. | Color | PASSENGER CAR EXTERIORS—ACRYLIC | | | PASSENGER CAR WHEELS—ENAMEL |
|---------------|----------------|------------------------------------|----------------------------|----------------------|--------------------------------|
| | | Lucite Stock No. | Rinshed-Mason Stock No. | Ditzler Stock No. | Color † |
| 916 | Daytona Blue | 4395-L | A-1539 | DDL-12696 | Daytona Blue |
| 923 | Riverside Red | 2931-L | A-1138 | DDL-70961 | Riverside Red |
| 941 | Sebring Silver | 867-96417 | | DDL-32312 | Sebring Silver |

◆Note: The above surfaces finished in baked enamel. Do not apply acrylic lacquer over the enamel color coat.
†Note: Ditzler color same as body color with DQE prefix.

1964 PAINT COMBINATION CHART

| R.P.O. No. | Color | Lucite Stock No. | Rinshed-Mason Stock No. | Ditzler Stock No. | Color |
|---------------|---------------|---------------------|----------------------------|----------------------|---------------|
| 900 | Tuxedo Black | 88-L | A-946 | DDL-9300 | Tuxedo Black |
| 912 | Silver Blue | 4250-L | A-1481 | DDL-12546 | Silver Blue |
| 916 | Daytona Blue | 4395-L | A-1539 | DDL-12696 | Daytona Blue |
| 923 | Riverside Red | 2931-LH | A-1138R | DDL-70961 | Riverside Red |
| 932 | Saddle Tan | 4392-L | A-1537 | DDL-22269 | Saddle Tan |
| 936 | Ermine White | 4024-L | A-1199 | DDL-8259 | Ermine White |
| 940 | Satin Silver | 4247-L | A-1477 | DDL-32173 | Satin Silver |

1965 PAINT COMBINATION CHART

| Chev. Code | Color | Lucite Stock No. | Rinshed-Mason Stock No. | Ditzler Stock No. |
|---------------|-----------------|---------------------|----------------------------|----------------------|
| A | Tuxedo Black | 88-L | A-946 | DDL-9300 |
| C | Ermine White | 4024-L | A-1199 | DDL-8259 |
| FF | Nassau Blue | 4690-L | A-1747 | DDL-3364 |
| GG | Glen Green | 4691-L | A-1745 | DDL-3366 |
| MM | Milano Maroon | 4689-LM | A-1746M | DDL-3365 |
| QQ | Silver Pearl | 4621-L | A-1708 | DDL-3314 |
| UU | Rally Red | 4688-H | A-1744 | DDL-3395 |
| XX | Goldwood Yellow | 4530-LH | A-1612 | DDL-3231 |
| Y | Crocus Yellow | 4620-L | A-1715 | DDL-3313 |

1966 PAINT COMBINATION CHART

| Chev. Code | Color | Lucite Stock No. | Rinshed-Mason Stock No. | Ditzler Stock No. |
|---------------|----------------|---------------------|----------------------------|----------------------|
| 900 | Tuxedo Black | 88-L | A-946 | DDL-9300 |
| 972 | Ermine White | 4024-L | A-1199 | DDL-8259 |
| 974 | Rally Red | 4688-LH | A-1744R | DDL-71491 |
| 976 | Nassau Blue | 4690-L | A-1747 | DDL-13057 |
| 978 | Laguna Blue | 4710-L | A-1826 | DDL-13188 |
| 980 | Trophy Blue | 4712-L | A-1825 | DDL-13199 |
| 982 | Mosport Green | 4713-L | A-1827 | DDL-43535 |
| 984 | Sunfire Yellow | 4711-L | A-1828 | DDL-81540 |
| 986 | Silver Pearl | 4621-L | A-1708 | DDL-32449 |
| 988 | Milano Maroon | 4689-LM | A-1746M | DDL-50706 |

1967 PAINT COMBINATION CHART

| Chev. Code | Color | Lucite Stock No. | Rinshed-Mason Stock No. | Ditzler Stock No. |
|------------|-----------------|------------------|-------------------------|-------------------|
| 900 | Tuxedo Black | 88 | A-946 | 9300 |
| 972 | Ermine White | 4024-L | A-1199 | 8259 |
| 976 | Rally Red | 4688-LH | A-1744R | 71491 |
| 977 | Marina Blue | 4850-L | A-1920 | 13364 |
| 977 | Lynndale Blue | 4833-L | A-1912 | 13348 |
| 980 | Elkhart Blue | 4834-L | A-1911 | 13347 |
| 983 | Goldwood Green | 4835-L | A-1913 | 43652 |
| 984 | Sunfire Yellow | 4711-L | A-1828 | 81540 |
| 986 | Silver Pearl | 4621-L | A-1708 | 32449 |
| 988 | Marlboro Maroon | 4836-LM | A-1914F | 71584 |

1968 PAINT COMBINATION CHART

| Chev. Code | Color | Lucite Stock No. | Rinshed-Mason Stock No. | Ditzler Stock No. |
|------------|--------------------|------------------|-------------------------|-------------------|
| 900 | Tuxedo Black | 88 | A-946 | 9300 |
| 972 | Polar White | 4714-L | A-2005 | 8631 |
| 974 | Rally Red | 4688-LH | A-1744R | 71491 |
| 976 | LeMans Blue | 4908-L | A-2007 | 13549 |
| 978 | International Blue | 4909-L | A-2008 | 13550 |
| 983 | British Green | 4949-L | A-2011 | 43795 |
| 984 | Safari Yellow | 4906-L | A-2009 | 81621 |
| 986 | Silverstone Silver | 4907-L | A-2000 | 8596 |
| 988 | Cordovan Maroon | 4915-LH | A-2006M | 50775 |
| 992 | Corvette Bronze | 4910-LH | A-2010 | 22969 |

1969 PAINT COMBINATION CHART

| Chev. Code | Color | Lucite Stock No. | Rinshed-Mason Stock No. | Ditzler Stock No. |
|------------|----------------|------------------|-------------------------|-------------------|
| 900 | Tuxedo Black | 88-L | A-946 | 9300 |
| 983 | Fathom Green | 5013-L | A-2102 | 2079 |
| 988 | Burgundy | 5063-LH | A-2107M | 50700 |
| 986 | Cortez Silver | 5032-L | A-2108 | 2059 |
| 976 | LeMans Blue | 5030-L | A-2109 | 2083 |
| 990 | Hugger Orange | 5021-LM | A-2111R | 2084 |
| 984 | Daytona Yellow | 5026-LH | A-2119 | 2094 |
| 972 | Can - Am White | 5050-L | A-1802 | 8631 |
| 974 | Monza Red | 5027-LH | A-2120R | 2089 |
| 980 | Riverside Gold | 5029-L | A-2122 | 2092 |

1970 PAINT COMBINATION CHART

| Chev. Code | Color | Lucite Stock No. | Rinshed-Mason Stock No. | Ditzler Stock No. |
|------------|--------------------|------------------|-------------------------|-------------------|
| 15 | Lagging Gray | 5134-L | A-2258 | 2198 |
| 27 | Bridgehampton Blue | 5132-L | A-2263 | 2199 |
| 44 | Donnybrook Green | 5133-L | A-2267D | 2200 |
| 51 | Daytona Yellow | 5026-LH | A-2119 | 2094 |
| 62 | Ontario Orange | 5128-LM | A-2274G | 2182 |
| 72 | Monza Red | 5027-LH | A-2120R | 2089 |
| 77 | Marlboro Maroon | 5131-LH | A-2280M | 71584 |

1971 PAINT COMBINATION CHART

| Chev. Code | Color | Lucite Stock No. | Rinshed-Mason Stock No. | Ditzler Stock No. |
|------------|----------------------------|------------------|-------------------------|-------------------|
| 972 | Classic White | 5040L | A-1802 | 8631 |
| 905 | Nevada Silver | 5276L | A-2438 | 2327 |
| 976 | Mulsanna Blue | 5327L | A-2262 | 2213 |
| 979 | Bridgehampton Blue | 5132L | A-2263 | 2199 |
| 983 | Brands Hatch Green | 5288L | A-2447 | 2336 |
| 912 | Sunflower | 5283LH | A-2422 | 2338 |
| 973 | Mille Miglia Red | 5291LM | A-2460R | 2349 |
| 989 | War Bonnet Yellow | 5292LM | A-2464LF | 2351 |
| 987 | Ontario Orange | 5293LM | A-2469F | 2357 |
| 988 | Steel Cities Gray Firemist | 5294L | A-2470D | 2358 |

1972 PAINT COMBINATION CHART

| Chev. Code | Color | Lucite Stock No. | Rinshed-Mason Stock No. | Ditzler Stock No. |
|------------|----------------------------|------------------|-------------------------|-------------------|
| 972 | Classic White | 5040L | A-1802 | 8631 |
| 924 | Pewter Silver | 5426L | A-2541 | 2629 |
| 945 | Bryar Blue | 5461L | A-2547 | 2434 |
| 979 | Targa Blue | 5460L | A-2544 | 2432 |
| 946 | Elkhart Green | 5462L | A-2551 | 2438 |
| 912 | Sunflower | 5283L | A-2422 | 2338 |
| 973 | Mille Miglia Red | 5291L | A-2460R | 2349 |
| 989 | War Bonnet Yellow | 5292L | A-2464F | 2357 |
| 987 | Ontario Orange | 5293L | A-2469F | 2357 |
| 988 | Steel Cities Gray Firemist | 5294L | A-2470D | 2358 |

1973 PAINT COMBINATION CHART

| Corvette Paint Code | Color Name | Fisher WA Number | Ditzler Code | Rinshed Mason | DuPont |
|---------------------|-------------------------------|------------------|--------------|---------------|--------|
| 910 | Classic White | 3465 | 8631 | A 1802 | 5040L |
| 914 | Corvette Silver Metallic | 4469 | 2519 | A 2619 | 5563L |
| 922 | Corvette Medium Blue Metallic | 4069 | 2213 | A 2621 | 5564L |
| 927 | Corvette Dark Blue Metallic | 4282 | 2432 | A 2544 | 5565L |
| 945 | Corvette Blue-Green Metallic | 4146 | 2336 | A 2447 | 5288L |
| 947 | Elkhart Green | 4284 | 2438 | A 2551 | 5462L |
| 952 | Corvette Yellow | 4466 | 2534 | A 2635G | 5566L |
| 953 | Corvette Yellow Metallic | 4465 | 2535 | A 2636F | 5567L |
| 976 | Mille Miglia Red | 4147 | 2349 | A 2460R | 5291L |
| 980 | Corvette Orange Metallic | 4464 | 2548 | A 2652F | 5568L |

1974 PAINT COMBINATION CHARTS.

| Chev. Code | Color | Fisher WA Number | Ditzler | Rinshed Mason | DuPont |
|------------|---------------|------------------|---------|---------------|--------|
| 910 | Classic White | 3465 | 8631 | A-1802 | 5040L |
| 914 | Silver Mist | 4469 | 2519 | A-2619 | 5563L |
| 917 | Gray | 4547 | 2630 | A-2698F | 4281LH |
| 922 | Medium Blue | 4069 | 2213 | A-2621 | 5564L |
| 948 | Dark Green | 4548 | 2644 | A-2706F | 42816L |
| 956 | Bright Yellow | 3893 | 2094 | A-2119 | 5026LH |
| 968 | Dark Brown | 4328 | 2543 | A-2647D | 5483L |
| 974 | Medium Red | 4533 | 2658 | A-2718F | 5477L |
| 976 | Mille Miglia | 4147 | 2349 | A-2460R | 5291LM |
| 980 | Orange | 4464 | 2548 | A-2652F | 5568LM |

1975 PAINT COMBINATION CHART

| Chev. Code | Color | Fisher WA Number | Ditzler | Rinshed Mason | DuPont |
|------------|----------------|------------------|---------|---------------|---------|
| 10 | White | 3465 | 8631 | A-1802 | 5040L |
| 13 | Silver | 4322 | 2518 | A-2618 | 43537L |
| 22 | Med. Blue | 4672 | 2744 | A-2797 | 43467L |
| 27 | Dk. Steel Blue | 4671 | 2747 | A-2800F | 43466LH |
| 42 | Bright Green | 4670 | 2749 | A-2830G | 43465LH |
| 56 | Bright Yellow | 4669 | 2756 | A-2809 | 43464LH |
| 67 | Med. Saddle | 4668 | 2762 | A-2815D | 43463L |
| 70 | Flame Red | 4667 | 2764 | A-2817R | 43462LM |
| 74 | Red Irid | 4533 | 2658 | A-2718F | 42810LM |
| 76 | Red | 4147 | 2349 | A-2460R | 5291LM |

ILLUSTRATION INDEX

ENGINE—CLUTCH

| | | |
|---------|--|-------|
| 1953-62 | Six Cylinder Engine Head and Manifolds . . . | 0-1P |
| 1953-62 | Six Cylinder Engine Block | 0-2P |
| 1953-62 | Six Cylinder Engine Camshaft, Crankshaft and Oil Pan | 0-3P |
| 1953-62 | Six Cylinder Engine Rocker Arm and Parts . . . | 0-4P |
| 1955-68 | V-8 Engine—Crankshaft, Camshaft and Oil Pan | 0-5P |
| 1955-68 | V-8 Engine—Head and Manifold | 0-6P |
| 1955-68 | V-8 Engine—Block | 0-7P |
| | V-8 Engine—Crankshaft, Camshaft, and Oil Pan (exc. 396-400-427-454) | 0-8P |
| | V-8 Engine Head and Manifold (350) | 0-9P |
| | V-8 Engine Block (exc. 396-400-427-454) . . . | 0-10P |
| 1963-67 | Corvette Engine Mountings | 0-11P |
| 1968-75 | Corvette Engine Mounting | 0-12P |
| | Diaphragm Spring Type Clutch Parts | 0-13P |
| | Coil Spring Clutch Parts | 0-13P |
| 1958-62 | Corvette Clutch Linkage | 0-14P |
| 1963-67 | Corvette Clutch Linkage | 0-15P |
| 1968-75 | Corvette Clutch Linkage | 0-16P |

COOLANT—GRILLE OIL SYSTEMS

| | | |
|---------|--|-------|
| 1973-75 | Oil Pump—V-8 (exc. Mark IV) | 1-1P |
| 1973-75 | Oil Pump Mark IV | 1-1P |
| | 283-327—Closed Positive Ventilation | 1-2P |
| 1971-72 | Corvette 454 H/Per. Crankcase Ventilation | 1-3P |
| 1973-74 | Corvette Positive Crankshaft Ventilation (PCV) | 1-4P |
| 1961-62 | Corvette Radiator Details | 1-5P |
| 1971-74 | Corvette Radiator Seals | 1-6P |
| 1971-74 | Corvette Radiator Shroud Extension and Seals (454) | 1-6P |
| 1971-74 | Corvette H.D. Radiator and Support (454) . . . | 1-7P |
| 1971-74 | Corvette Radiator Support and Brackets (exc. H.D. Radiator) | 1-7P |
| 1958-60 | Corvette Grille—Exploded | 1-8P |
| 1963-64 | Corvette Grille—Exploded | 1-8P |
| 1965 | Corvette Grille—Exploded | 1-9P |
| 1968 | Corvette Grille—Exploded | 1-10P |
| 1969 | Corvette Grille—Exploded | 1-11P |
| 1970-72 | Corvette Grille—Exploded | 1-12P |
| 1973-74 | Corvette Grille | 1-13P |
| 1975 | Corvette Grille | 1-14P |

CHASSIS ELECTRICAL SYSTEMS

| | | |
|---------|--|-------|
| 1953-64 | Starting Motor—Solenoid Switch | 2-1P |
| 1965-75 | Corvette Starting Motor | 2-2P |
| | Generator—12 Volt | 2-3P |
| 1962-68 | (42-Amp.) A.C. Generator—Exploded | 2-4P |
| 1962-68 | (62-Amp.) A.C. Generator—Exploded | 2-5P |
| 1969-75 | Corvette 42 and 61 Amp. Delcotron | 2-6P |
| 1970 | Corvette Generator Mounting w/Power Steering (454 Eng.) | 2-7P |
| 1971-74 | Corvette 454 H/Per. Generator Mounting . . . | 2-8P |
| 1971-74 | Corvette Generator Mounting w/P/S (454) . . . | 2-8P |
| 1955-66 | Eight Cylinder Ignition Distributor | 2-9P |
| 1957-74 | Eight Cylinder Ignition Distributor | 2-10P |
| 1974-75 | Distributor H.E.I. | 2-11P |
| 1957-62 | Fuel Injection Ignition Distributor | 2-12P |
| 1958-60 | Corvette Rear Lamp Details | 2-13P |
| 1963 | Corvette Headlamp—Exploded | 2-14P |
| 1963-67 | Corvette Headlamp Motor—Exploded | 2-15P |
| 1964-67 | Corvette Headlamp—Exploded | 2-16P |
| 1973-74 | Corvette Headlamp Vac. Hose Inst. Panel . . . | 2-17P |
| 1968-75 | Corvette Headlamp Details | 2-18P |
| 1974-75 | Corvette—Forward Lamp Wiring L.H. | 2-19P |
| 1974-75 | Corvette Forward Lamp Wiring | 2-19P |
| 1970-72 | Corvette Parking and Side Marker Lamps . . . | 2-20P |
| 1973-75 | Corvette Parking and Side Marker Lamps . . . | 2-21P |
| 1963-67 | Corvette Directional Signal Details | 2-22P |
| 1968-75 | Corvette Horn | 2-23P |

| | | |
|---------|--|-------|
| 1971-72 | Corvette "454" Solenoid Shield | 2-23P |
| | Ignition Locking Details | 2-24P |
| 1973 | Anti-Theft Alarm, Hood Switch, and Wiring | 2-25P |
| 1973-75 | Anti-Theft Relay and Rear Compartment Lamp | 2-25P |
| 1973-75 | Anti-Theft Horn and Switch Mounting | 2-26P |
| 1975 | Corvette Anti-Theft Hood & Courtesy Lamp Switches | 2-26P |
| 1974 | Corvette Light Switch & Dir. Signal Flasher | 2-27P |
| 1974 | Corvette Dimmer Switch and Hazard Flasher | 2-27P |
| 1973 | Corvette Rear Lamps | 2-28P |
| 1975 | Corvette Rear Lamps—Tail, License & Side Marker | 2-29P |

FUEL EXHAUST CARBURETION

| | | |
|---------|--|-------|
| 1955 | Rochester Four Barrel Carburetor | 3-1P |
| 1955-69 | Two Barrel Carburetor—Throttle Body and Bowl | 3-2P |
| 1955-69 | Two Barrel Carburetor—Horn and Choke . . . | 3-3P |
| | Holley 4-B.C. | 3-4P |
| 1956-69 | Rochester Four Barrel Carburetor Air Horn Assy. | 3-6P |
| 1956-69 | Rochester Four Barrel Carburetor Throttle Body and Bowl | 3-7P |
| | Rochester (Quadrajet) Float Bowl Parts (Typical) | 3-8P |
| | Rochester (Quadrajet) Air Horn Parts | 3-9P |
| | Rochester (Quadrajet) Throttle Body Parts | 3-9P |
| 1961-70 | Carter Four Barrel Carburetor Bowl | 3-10P |
| 1961-70 | Carter Four Barrel Carburetor Air Horn Assy. | 3-11P |
| 1957-62 | Fuel Injection Assy. | 3-12P |
| 1957-62 | Fuel Injection Air Meter Assy. | 3-13P |
| 1957-62 | Fuel Injection Fuel Meter Assy. | 3-14P |
| 1961-62 | Fuel Injection—Air Cleaner | 3-15P |
| 1965 | Fuel Injection—Air Cleaner | 3-16P |
| 1958-61 | Triple Two Barrel Carburetor Linkage | 3-17P |
| 1956-62 | Dual Four Barrel Carburetor Linkage | 3-18P |
| 1953-55 | Corvette 6 Cyl. Accelerator Linkage | 3-19P |
| 1958 | Corvette Accelerator Control Linkage | 3-20P |
| 1959-61 | Corvette Accelerator Control Linkage | 3-21P |
| 1963-67 | Corvette Accelerator Linkage | 3-22P |
| 1973-75 | Corvette Acceleration Pedal Rod and Support | 3-23P |
| 1970-72 | Corvette Accelerator Pedal, Rod and Bracket | 3-24P |
| 1970-72 | Corvette Accelerator Control Cable | 3-24P |
| 1973-75 | Corvette Accelerator Controls | 3-25P |
| 1968-69 | Corvette Carburetor Linkage | 3-26P |
| | 327 Engine Air Cleaner & Carb. Details | 3-27P |
| | Pump Assembly Air Injection Reactor | 3-28P |
| 1966-67 | Air Injection Reactor, Air Cleaner and Hoses (8 Cylinder) | 3-29P |
| 1968 | Corvette Air Cleaner and Vent Hoses | 3-30P |
| 1968 | Corvette Diverter Valve and A.I.R. Hoses . . . | 3-30P |
| 1968 | Corvette "427" Diverter Valve and A.I.R. Hoses | 3-31P |
| 1968 | Corvette 3 x 2 Air Cleaner and A.I.R. Hoses | 3-31P |
| 1970-73 | Corvette V-8 Eng. 350 A.I.R. Pump Mounting | 3-32P |
| 1970-74 | Corvette 350 Spec. H/P Diverter Valve | 3-32P |
| 1975 | Corvette Carburetor & Choke Pipes | 3-33P |
| 1975 | Corvette Carburetor Air Control | 3-33P |
| 1970-74 | Corvette Evaporator Emission Control System Fuel, Vapor Lines and Canister . . . | 3-34P |
| 1970-71 | 454 Cu. In. 3 x 2 Bbl. Fuel Pipes and Pump | 3-35P |
| 1970 | Corvette Evaporative Emission Control System Carburetor Insulator and Heat Shield (exc. 454 Cu. In.) | 3-35P |

| | | |
|---------|---|-------|
| 1970-72 | Corvette 454 Oil Pressure Pipe and Gauge | 3-36P |
| 1970-74 | Corvette "454" Carburetor Fuel, Spark Pipes and Hoses | 3-36P |
| 1974 | Corvette Air Cleaner and Seal, Carburetor and Choke | 3-37P |
| 1974-75 | Corvette Air Injector Reactor (A.I.R.) | 3-37P |
| 1958-62 | Corvette Gasoline Tank and Door | 3-38P |
| 1963-67 | Corvette Gasoline Tank | 3-38P |
| 1974-75 | Corvette Fuel Meter Assy. | 3-39P |
| 1974-75 | Corvette (350) Fuel Pump and Pipe | 3-39P |
| 1974-75 | Corvette Fuel Filler Neck | 3-40P |
| 1975 | Corvette Fuel Tank Support, Straps & Seals | 3-40P |
| 1961-62 | Corvette Dual Exhaust | 3-41P |
| 1963-67 | Corvette Dual Exhaust | 3-42P |
| 1965-67 | Corvette Side Mounted Exhaust | 3-43P |
| 1970-72 | Corvette Muffler, Tailpipe & Frame Attachment | 3-44P |
| 1970-73 | Corvette Exhaust System | 3-45P |
| 1971-74 | Corvette Exhaust Pipes w/T.H. | 3-46P |
| 1974 | Corvette Exhaust System | 3-47P |
| 1975 | Corvette Exhaust System | 3-48P |

TRANSMISSION

| | | |
|---------|--|-------|
| 1966-73 | Saginaw 3-Spd. Transmission—Exploded | 4-1P |
| 1974-75 | Warner 4-Spd. Transmission—Exploded | 4-2P |
| 1974-75 | Warner 4-Spd. Transmission—Exploded | 4-3P |
| 1963-74 | Muncie Four Speed Transmission—Exploded | 4-4P |
| 1950-57 | Powerglide Transmission—Hi-Lo Clutch Section | 4-5P |
| 1950-62 | Powerglide Transmission—Housing Section | 4-6P |
| 1950-57 | Powerglide Transmission—Reverse and Planetary Section | 4-7P |
| 1950-62 | Powerglide Transmission—Case Section | 4-7P |
| 1953-57 | Powerglide Transmission—Rear Pump Section | 4-8P |
| 1953-57 | Powerglide Transmission—Converter Section | 4-8P |
| 1953-57 | Powerglide Transmission Throttle Valve | 4-9P |
| 1953-57 | Powerglide Transmission Throttle Valve Body Assy. | 4-9P |
| 1953-57 | Powerglide Transmission Governor | 4-10P |
| 1952-57 | Powerglide Transmission Main Valve Body | 4-10P |
| 1953-62 | Powerglide Transmission (exc. 327 Engine) | 4-11P |
| 1958-62 | Powerglide Transmission (exc. 327 Engine) | 4-12P |
| 1958-62 | Powerglide Transmission (exc. 327 Engine) | 4-13P |
| 1962-71 | Aluminum Powerglide Transmission Case—Exploded | 4-14P |
| 1962-71 | Aluminum Powerglide Transmission Exploded | 4-15P |
| 1962-71 | Aluminum Powerglide Transmission Case and Linkage | 4-16P |
| 1962-71 | Aluminum Powerglide Transmission Governor—Exploded | 4-17P |
| 1962-71 | Aluminum Powerglide Transmission Valve Body—Exploded | 4-18P |
| | Turbo Hydra-Matic 400 Front & Rear Servos & Control Valve | 4-19P |
| | Turbo Hydra-Matic 400 Case, Extension & Planet Carrier Parts | 4-20P |
| | Turbo Hydra-Matic Case, Extension & Planet Carrier Parts | 4-21P |
| | Turbo Hydra-Matic 400 Pump, Forward & Direct Clutch & Center Support | 4-22P |
| | Turbo Hydra-Matic Pump, Forward & Direct Clutch & Center Support | 4-23P |
| | Turbo Hydra-Matic Parking Lock & Range Selector Parts | 4-24P |
| 1957-63 | Corvette 3-4 Speed Transmission Controls | 4-25P |

| | | |
|---------|---|-------|
| 1968-72 | Corvette Automatic Transmission Control Cable | 4-26P |
| 1975 | Corvette Interlock Linkage | 4-27P |
| 1965-67 | Corvette 3-Spd. Shift Lever—Exploded | 4-28P |
| 1964-67 | Corvette 4-Spd. Shift Lever—Exploded | 4-29P |
| 1964-66 | Corvette Floor Console | 4-30P |
| 1970-72 | Corvette Interlock Linkage, Control Lever & T.C.S. Switch | 4-31P |
| 1971-72 | Corvette Trans. Bracket Assy. and Control Lever | 4-32P |
| 1963-64 | Corvette Automatic Transmission Floor Shift | 4-33P |
| 1963-67 | Corvette Automatic Transmission Carburetor Linkage | 4-33P |
| 1965-67 | Corvette Powerglide Shift Lever—Exploded | 4-34P |

BRAKES

| | | |
|---------|--|-------|
| 1953-62 | Bendix Front Brake Parts (Duo Servo) | 4-35P |
| 1953-62 | Bendix Rear Brake Parts (Duo Servo) | 4-35P |
| | Caliper Assy.—Exploded | 4-36P |
| 1963-65 | Corvette Self Adjusting Brake | 4-37P |
| 1963-65 | Corvette Heavy Duty Self—Adjusting Brake | 4-37P |
| 1964-66 | Brake Master Cylinder (Exploded) | 4-38P |
| 1967-74 | Brake Master Cylinder (Exploded) | 4-38P |
| 1963-65 | Corvette Brake Pedal Linkage | 4-39P |
| 1963-64 | Corvette Parking Brake Linkage | 4-40P |
| 1965-74 | Corvette Parking Brake—Exploded | 4-40P |
| 1965-66 | Corvette Parking Brake Details | 4-41P |
| 1967 | Corvette Parking Brake Details | 4-42P |
| 1971-75 | Corvette Parking Brake | 4-43P |
| 1971-75 | Corvette Vacuum Power Brake Cylinder and Pipes | 4-43P |
| 1971-75 | Corvette Brake Pedal and Main Cylinder Assy. | 4-44P |
| 1957-58 | Hydro. Vac. Power Brake—Exploded | 4-45P |
| 1957-58 | Treadle-Vac Power Brake—Exploded | 4-46P |
| 1958 | Moraine Power Brake—Exploded | 4-47P |
| 1958 | Moraine Power Brake Master Cylinder—Exploded | 4-47P |
| 1958 | Moraine Power Brake Piston—Exploded | 4-48P |
| 1958 | Treadle-Vac Power Brake Pedal and Linkage | 4-49P |
| 1959-61 | Bendix Power Brake—Exploded | 4-50P |
| 1959-61 | Moraine Power Brake—Exploded | 4-51P |
| 1959-61 | Moraine Power Brake—Exploded | 4-52P |
| 1962-63 | Moraine Power Brake Housing—Exploded | 4-53P |
| 1962-63 | Moraine Power Brake Piston—Exploded | 4-53P |
| 1962-74 | Bendix Power Brake Cylinder—Exploded | 4-54P |
| 1964-69 | Moraine Power Brake Piston—Exploded | 4-55P |
| 1965-75 | Corvette P.B. Master Cylinder—Exploded | 4-56P |

BRAKES—REAR AXLE and DRIVE

| | | |
|---------|---|------|
| 1963-75 | Corvette Rear Axle Carrier Assembly—Exploded | 5-1P |
| 1963-64 | Corvette Positraction—Exploded | 5-2P |
| 1964-75 | Corvette Positraction | 5-3P |
| 1963-65 | Corvette Spindle Assembly—Exploded | 5-4P |
| 1965-75 | Corvette Rear Spindle | 5-5P |
| 1963-75 | Corvette Propeller Shaft | 5-6P |
| 1975 | Corvette Differential Carrier, Drive & Prop. Shafts | 5-7P |

FRONT AXLE—STEERING

| | | |
|---------|---|------|
| 1958-65 | Corvette Front End Suspension | 6-1P |
| 1958-62 | Corvette Front Suspension | 6-2P |
| 1975 | Corvette Front Suspension | 6-3P |
| 1975 | Corvette Front Stabilizer | 6-3P |
| 1968-75 | Corvette Steering Column (exc. Tel. W.) | 6-4P |
| 1965-75 | Corvette Telescoping Steering Shaft | 6-5P |
| 1967-68 | Steering Column—(exc. Tilt Wheel) | 6-6P |

| | | |
|---------|---|-------|
| 1967-68 | Steering Column (Tilt Wheel) | 6-7P |
| 1969-75 | Steering Column (exc. Tilt & Tilt Tel.) | 6-8P |
| 1969-75 | Corvette Tilt & Tilt Tel. Steering Column | 6-10P |
| 1967-70 | Corvette Steering Column and Support | 6-12P |
| 1971-75 | Corvette Steering Column Support Assy. | 6-13P |
| 1955-57 | Power Steering Control Valve | 6-14P |
| 1955-59 | Power Steering Pump and Reservoir | 6-15P |
| 1958-64 | Power Steering Pump and Reservoir | 6-15P |
| 1963-67 | Corvette Power Steering Control Valve | 6-16P |
| 1970-74 | Corvette Power Steering Pump Mounting (454) | 6-17P |
| 1965-74 | Corvette Power Steering Pump | 6-18P |
| 1964-75 | Power Steering Control Valve and Adapter | 6-19P |
| 1965-75 | Power Steering Cylinder | 6-20P |
| 1975 | Corvette Steering Gear to Column | 6-21P |
| 1975 | Corvette Steering Cylinder | 6-22P |

FRAME—SPRINGS BUMPER

| | | |
|---------|--|-------|
| 1963-67 | Corvette Frame | 7-1P |
| 1961-62 | Corvette Rear Spring and Axle | 7-2P |
| 1961-62 | Corvette Rear Axle Rebound Strap | 7-2P |
| 1963-75 | Corvette Rear Spring Mounting | 7-3P |
| 1963-74 | Corvette Rear Support Struts | 7-3P |
| 1963-75 | Corvette Rear Shock Absorber | 7-4P |
| 1961-62 | Corvette Rear Stabilizer Details | 7-5P |
| 1965-74 | Corvette Rear Stabilizer Shaft | 7-6P |
| 1958-62 | Corvette Front Bumper and Parts | 7-7P |
| 1958-60 | Corvette Rear Bumper and Parts | 7-8P |
| 1961-62 | Corvette Rear Bumper Parts | 7-9P |
| 1963-65 | Corvette Front Bumper and Parts | 7-10P |
| 1963-65 | Corvette Rear Bumper and Parts | 7-10P |
| 1968-72 | Corvette Front Bumper and Parts | 7-11P |
| 1968-73 | Corvette Rear Bumper and Parts | 7-12P |
| 1974 | Corvette Front Bumper | 7-13P |
| 1975 | Corvette Front Bumper | 7-14P |
| 1974 | Corvette Rear Bumper | 7-15P |
| 1975 | Corvette Rear Bumper | 7-16P |

SHEET METAL—HEATER

| | | |
|---------|--|-------|
| 1959-62 | Corvette Heater Hoses and Controls | 8-1P |
| 1963-66 | Corvette Heater—Exploded | 8-2P |
| 1963-64 | Corvette Heater Controls | 8-2P |
| 1968 | Corvette Heater Controls | 8-3P |
| 1971-75 | Corvette—Heater, Blower & Resistor Assy. | 8-4P |
| 1971-75 | Corvette Vacuum Control Assy. & Cables | 8-4P |
| 1958-62 | Corvette Hood and Parts | 8-5P |
| 1963-66 | Corvette Hood and Latch Details | 8-6P |
| 1968-75 | Corvette Hood and Latch | 8-7P |
| 1953-55 | Corvette Front Body—Exploded | 8-8P |
| 1958-62 | Corvette Front End—Exploded | 8-9P |
| 1958-62 | Corvette Front End Panel Details | 8-10P |
| 1963-67 | Corvette Front End—Exploded | 8-11P |
| 1968-72 | Corvette Front End—Exploded | 8-12P |
| 1973-75 | Corvette Front End Sheet Metal | 8-13P |

BODY MOUNTING—AIR CONDITIONING

| | | |
|---------|--|------|
| 1962-74 | Air Conditioning Compressor—Exploded | 9-1P |
| 1963 | Air Conditioning Compressor Mounting Details | 9-2P |
| 1965 | A/C Compressor Mounting—409 | 9-3P |
| 1964-67 | Corvette Air Conditioning Outlet Duct | 9-4P |
| 1964-67 | Corvette Air Conditioning Blower & Evaporator | 9-4P |
| 1964-67 | Corvette Air Conditioning Heater & Distributor Assy. | 9-5P |
| 1965-67 | Corvette Air Conditioning Center Outlet & Cables | 9-6P |
| 1968 | Corvette Air Conditioning Controls | 9-7P |
| 1969-74 | Corvette Air Conditioning Controls | 9-8P |
| 1968 | Corvette Air Conditioning Selector and Distributor | 9-9P |
| 1968 | Corvette Air Conditioning Center Outlet | 9-9P |

| | | |
|---------|--|-------|
| 1968-75 | Corvette Air Conditioning—Side Shroud Vacuum Control | 9-10P |
| 1968-75 | Corvette Air Conditioning Side Outlet Ducts | 9-10P |
| 1971-75 | Corvette A/C Selector and Distributor | 9-11P |
| 1971-75 | Corvette A/C Under Dash Brace Rods | 9-11P |
| 1971-74 | Corvette A/C Plenum Valve | 9-12P |
| 1971-72 | Corvette A/C Condenser, Receiver and Dehydrator | 9-12P |
| 1974-75 | Corvette A/C Outlets | 9-13P |
| 1971-74 | Corvette A/C Fitting and Muffler Assy. | 9-14P |
| 1971-72 | Corvette A/C Refrigerant Hoses | 9-14P |
| 1970-73 | Corvette A/C Heater Hoses & Water Valve | 9-15P |
| 1970-74 | Corvette A/C and Heater Hose | 9-15P |
| 1974-75 | Corvette A/C Hose Routing | 9-16P |
| 1971-72 | Corvette A/C Evaporator and Refrigerant Control Valve | 9-17P |
| 1971-73 | Corvette A/C Engine, Mounting Compressor, Fan, Belts and Pulleys (454) | 9-17P |
| 1971-74 | Corvette A/C Compressor Mounting (454) | 9-18P |
| 1971-75 | Corvette A/C Compressor Mounting (350) | 9-18P |
| 1973-75 | Corvette Valve and Receiver Asm. | 9-19P |
| 1974-75 | Corvette Evaporator and Blower Assy. | 9-20P |
| 1968 | Corvette Astro Ventilation | 9-21P |
| 1971-75 | Corvette Air Side Outlet | 9-22P |
| 1968 | Corvette Cowl Ventilator Controls | 9-23P |
| 1968-74 | Corvette Rear Window Details | 9-24P |
| 1968 | Corvette Body Rear Grille and Plenum Door | 9-24P |
| 1969-75 | Corvette Body Rear Grille & Rear Plenum Air Door | 9-25P |
| 1971-75 | Corvette Defroster Grille, Duct & Cables | 9-26P |
| 1968-75 | Corvette Rear Window Defogger Equipment (Conv.) | 9-26P |
| 1971-75 | Corvette Rear Window Defogger Equipment (Conv.) | 9-27P |
| 1968-75 | Corvette Rear Window Defogging Equipment (exc. Conv.) | 9-27P |
| 1968-75 | Corvette Rear Window Defogging Equipment Wiring | 9-28P |
| 1968-75 | Corvette Center Instrument Cluster | 9-29P |
| | Corvette FM Radio Antenna | 9-30P |
| | Corvette Radio AM-FM Shielding Equipment | 9-31P |

WINDSHIELD—DOORS—CONTROLS

| | | |
|---------|--|--------|
| 1953-55 | Corvette Front End | 10-1P |
| 1953-55 | Corvette | 10-1P |
| 1956-57 | Corvette | 10-2P |
| 1956-57 | Corvette with Auxiliary Top | 10-2P |
| 1958-60 | Corvette Front End | 10-3P |
| 1958-60 | Corvette | 10-3P |
| 1958-60 | Corvette Rear End | 10-4P |
| 1961-62 | Corvette Front End | 10-4P |
| 1961 | Corvette Convertible | 10-5P |
| 1962 | Corvette Convertible | 10-5P |
| 1961-62 | Corvette Rear End | 10-6P |
| 1963-64 | Corvette Front End | 10-6P |
| 1963-64 | Corvette Coupe | 10-7P |
| 1963-64 | Corvette Convertible | 10-7P |
| 1963-67 | Corvette Rear End | 10-8P |
| 1965-67 | Corvette Front End | 10-8P |
| 1965-67 | Corvette Coupe | 10-9P |
| 1965-67 | Corvette Convertible | 10-9P |
| 1968-69 | Corvette Front End | 10-10P |
| 1968-69 | Corvette Rear End | 10-10P |
| 1968-69 | Corvette Sport Coupe | 10-11P |
| 1970-72 | Corvette Front End | 10-12P |
| 1970-72 | Corvette Rear End | 10-12P |
| 1970-72 | Corvette Convertible | 10-13P |
| 1958-62 | Corvette Windshield Wiper Parts | 10-14P |
| 1963-67 | Corvette Windshield Wiper Linkage | 10-15P |
| 1968-72 | Corvette Windshield Wiper Access Door and Controls | 10-16P |

| | | |
|---------|--|--------|
| 1958-62 | Corvette Door and Parts | 10-17P |
| 1958-62 | Corvette Door and Rear Compartment Locks | 10-18P |
| 1958-62 | Corvette Door Hinge and Lock Striker | 10-19P |
| 1960-62 | Corvette Door Hinge and Lock Striker | 10-19P |
| 1960-62 | Corvette Door Details | 10-20P |
| 1963-66 | Corvette Convertible Vent and Lock Details | 10-21P |
| 1963-66 | Corvette Coupe Vent and Door Trim Details | 10-21P |
| 1963-66 | Corvette Window Channel Details | 10-22P |
| 1965-66 | Corvette Side Door Trim Panel | 10-23P |
| 1968-74 | Corvette Door Exploded | 10-24P |
| 1971-74 | Corvette Glass and Frame | 10-25P |
| 1953-55 | Corvette Instrument Panel | 10-26P |
| 1956-57 | Corvette Instrument Panel | 10-27P |
| 1958-62 | Corvette Instrument Panel | 10-28P |
| 1963-67 | Corvette Instrument Panel | 10-29P |
| 1968-74 | Corvette Instrument Panel—Exploded | 10-30P |

REAR GLASS—SEAT AND ADJUSTER

| | | |
|---------|---------------------------------------|-------|
| 1958-62 | Corvette Auxiliary Top Rear Window | 11-1P |
| 1958-62 | Corvette Auxiliary Top Quarter Window | 11-2P |
| 1963 | Corvette Coupe Garnish Mouldings | 11-2P |
| 1968 | Corvette Seat Back Lock | 11-3P |

METAL TRIM AND CLIPS—PANELS

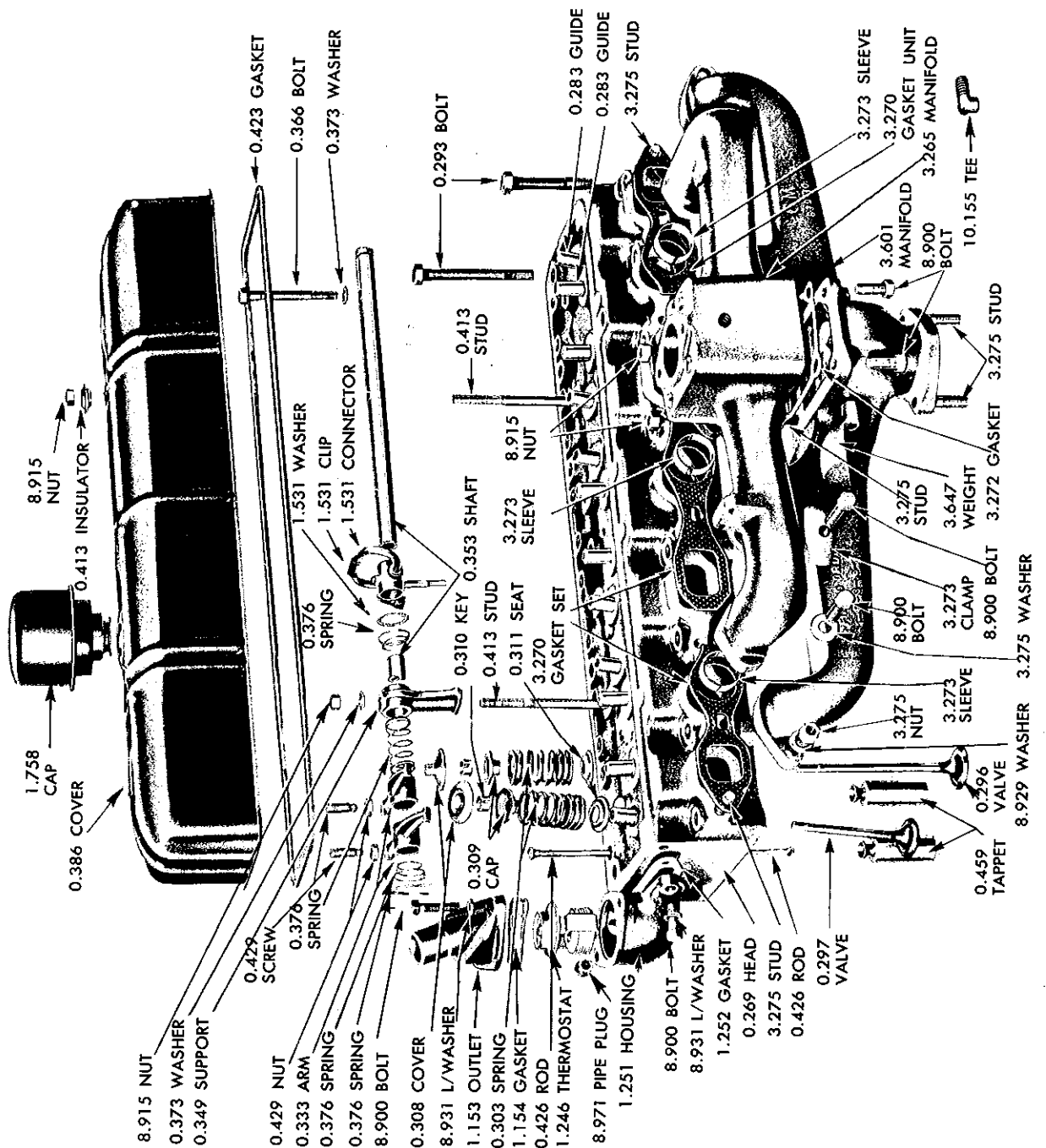
| | | |
|---------|--|--------|
| 1953-55 | Corvette Underbody—Exploded | 12-1P |
| 1953-55 | Corvette Rear Body—Exploded | 12-2P |
| 1956-57 | Corvette Front View—Exploded | 12-3P |
| 1956-57 | Corvette Center Body—Exploded | 12-4P |
| 1956-57 | Corvette Rear Body—Exploded | 12-5P |
| 1968-75 | Corvette Center Body—Exploded | 12-6P |
| 1958-62 | Corvette Rear End Panel Details | 12-7P |
| 1963-67 | Corvette Frame | 12-8P |
| 1963-67 | Corvette Center Body—Exploded | 12-9P |
| 1963-67 | Corvette Rear Body—Exploded | 12-10P |
| 1963-67 | Corvette Underbody | 12-11P |
| 1963-67 | Corvette Spare Tire Carrier | 12-11P |
| 1968-73 | Corvette Rear Body | 12-12P |
| 1968-75 | Corvette Body—Frame | 12-13P |
| 1968-73 | Corvette Underbody | 12-14P |
| 1968-75 | Corvette Spare Tire Carrier and Lock | 12-15P |
| 1958-62 | Corvette Underbody and Seat Belts | 12-16P |
| 1968-75 | Corvette Storage Compartment | 12-17P |
| 1968-75 | Corvette Auxiliary Top | 12-18P |
| 1968-75 | Corvette Roof Panel | 12-19P |
| 1968-70 | Corvette Backlite and Roof Panel Stowage | 12-20P |
| 1953-55 | Corvette—Front | 12-21P |
| 1953-55 | Corvette—Rear | 12-21P |
| 1956-57 | Corvette—Front | 12-22P |

| | | |
|---------|---------------------------------------|--------|
| 1956-57 | Corvette—Rear | 12-22P |
| 1958-60 | Corvette | 12-23P |
| 1958-60 | Corvette—Front | 12-24P |
| 1958-60 | Corvette—Rear | 12-24P |
| 1961 | Corvette—Front | 12-25P |
| 1961 | Corvette—Rear | 12-25P |
| 1961 | Corvette | 12-26P |
| 1962 | Corvette | 12-26P |
| 1962 | Corvette—Front | 12-27P |
| 1962 | Corvette—Rear | 12-27P |
| 1963 | Corvette Convertible (Model 867) | 12-28P |
| 1963 | Corvette Coupe (Model 837) | 12-28P |
| 1963 | Corvette—Front (Model 867 Shown) | 12-29P |
| 1963 | Corvette Coupe—Rear | 12-29P |
| 1964 | Corvette Front | 12-30P |
| 1964 | Corvette Rear | 12-30P |
| 1964 | Corvette Convertible | 12-31P |
| 1964 | Corvette Coupe | 12-31P |
| 1966-67 | Corvette—Front | 12-32P |
| 1966-67 | Corvette—Rear | 12-32P |
| 1965-67 | Corvette Convertible (Model 19467) | 12-33P |
| 1965-67 | Corvette Corvette Coupe (Model 19437) | 12-33P |
| 1968-69 | Corvette—Front | 12-34P |
| 1968-69 | Corvette—Rear | 12-34P |
| 1968-73 | Corvette Coupe | 12-35P |

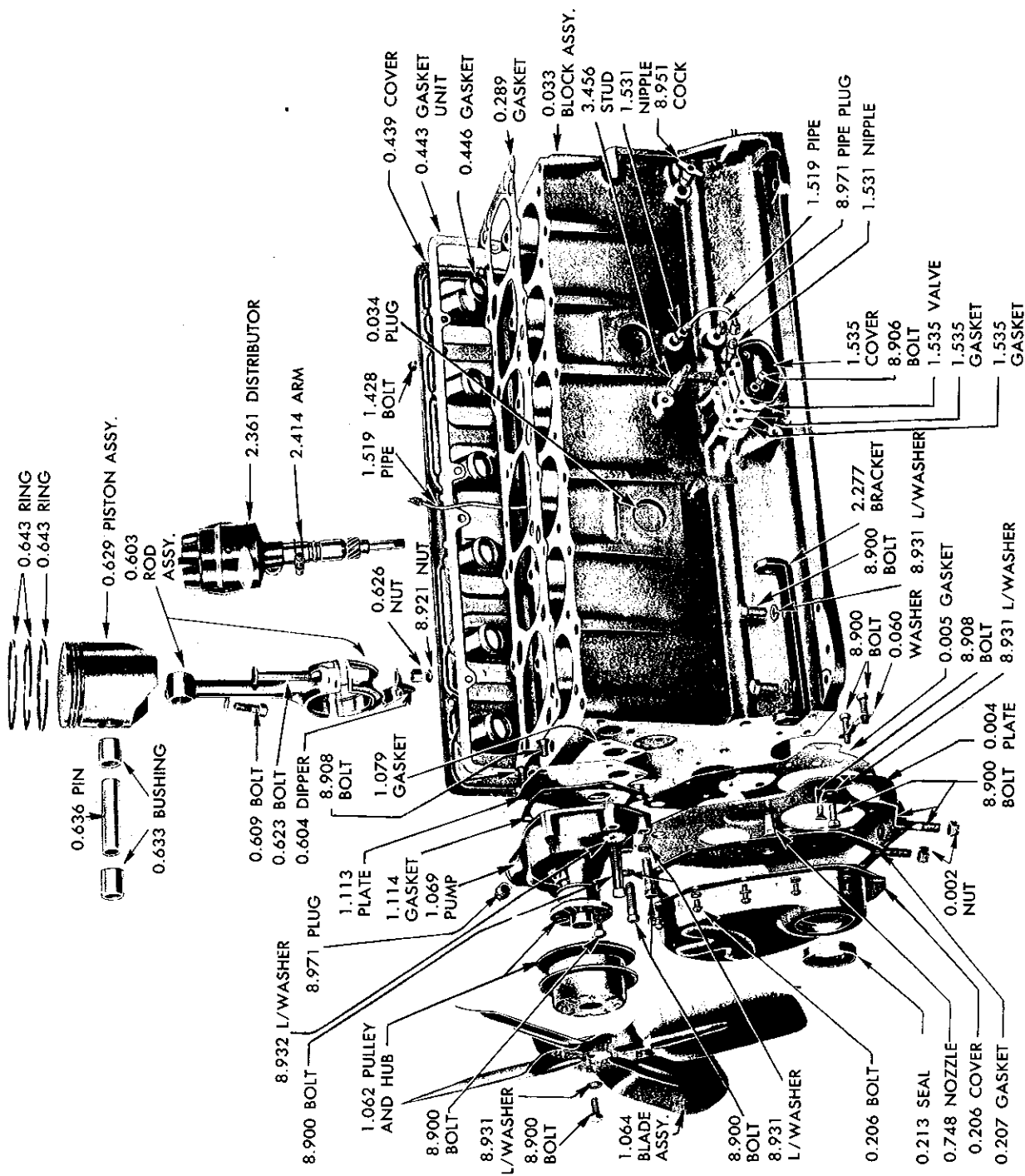
FOLDING TOP PARTS—INTERIOR TRIM

| | | |
|---------|---|--------|
| 1961 | Corvette Deck Lid Lock | 14-1P |
| 1963 | Corvette Folding Top Lid Details | 14-1P |
| 1958-62 | Corvette Folding Top Lid | 14-2P |
| 1961 | Corvette Rear Seat Panel Parts | 14-3P |
| 1958-62 | Corvette Seat Separator | 14-3P |
| 1956-62 | Corvette Top Frame | 14-4P |
| 1959-62 | Corvette Folding Top | 14-4P |
| 1956-57 | Corvette Hydraulic Folding Top Lift Assembly | 14-5P |
| 1958-62 | Corvette Top Details | 14-6P |
| 1958-62 | Corvette Hydraulic Folding Top Details | 14-7P |
| 1959-62 | Corvette Hydraulic Folding Top | 14-8P |
| 1963-67 | Corvette Top Details | 14-9P |
| 1968-75 | Corvette Folding Top Lid Details | 14-10P |
| 1953-55 | Corvette Interior | 14-11P |
| 1956-57 | Corvette Interior (Typical) | 14-12P |
| 1958-62 | Corvette Interior (Typical) | 14-13P |
| 1963-67 | Corvette Interior | 14-14P |
| 1974-75 | Corvette Conv.—Rear Mldg. & Weatherstrip | 14-15P |
| 1974-75 | Corvette—Side Door Weatherstrip Assy. & Roof Mouldings | 14-15P |
| 1974-75 | Corvette—Front & Side Mldg. Weatherstrip Conv. w/Aux. Top | 14-16P |
| 1974-75 | Corvette Conv.—Header Weatherstrip Assy. Side Rail Weatherstrip Assy. | 14-16P |
| 1974-75 | Corvette—Roof Panel & Weatherstrip | 14-17P |

GROUP 0.000
ENGINE — CLUTCH

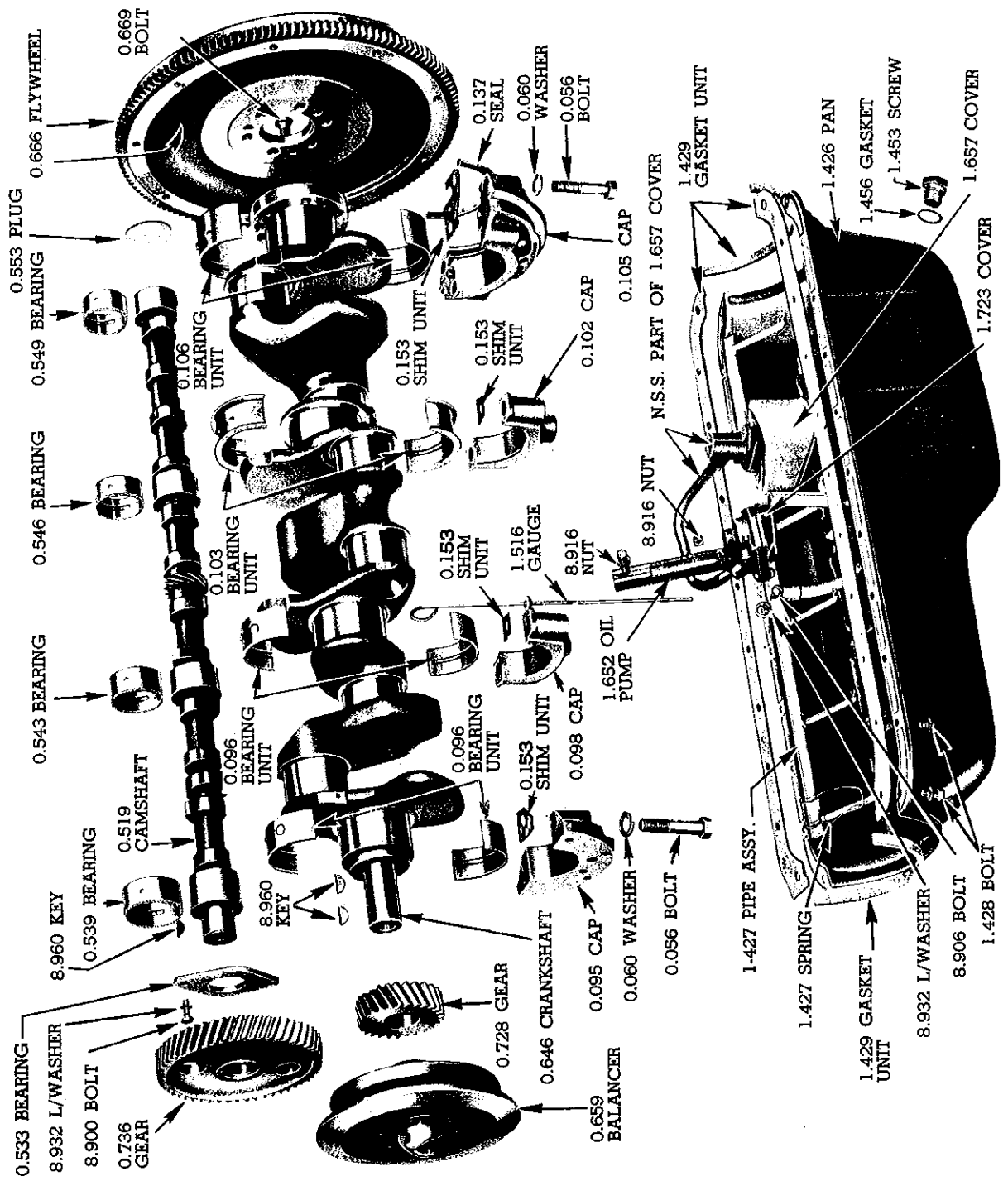


1953-62 SIX CYLINDER ENGINE HEAD AND MANIFOLDS

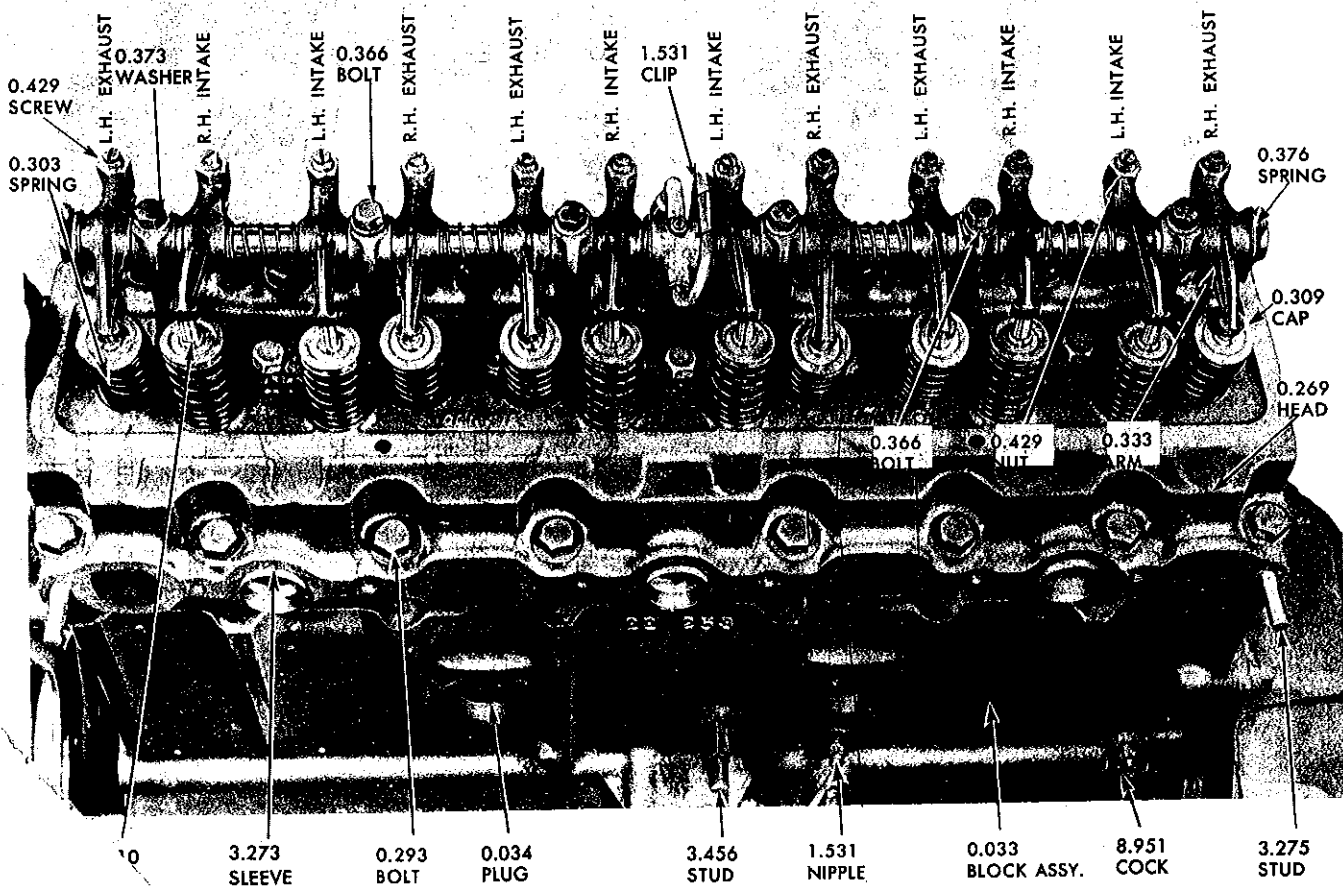
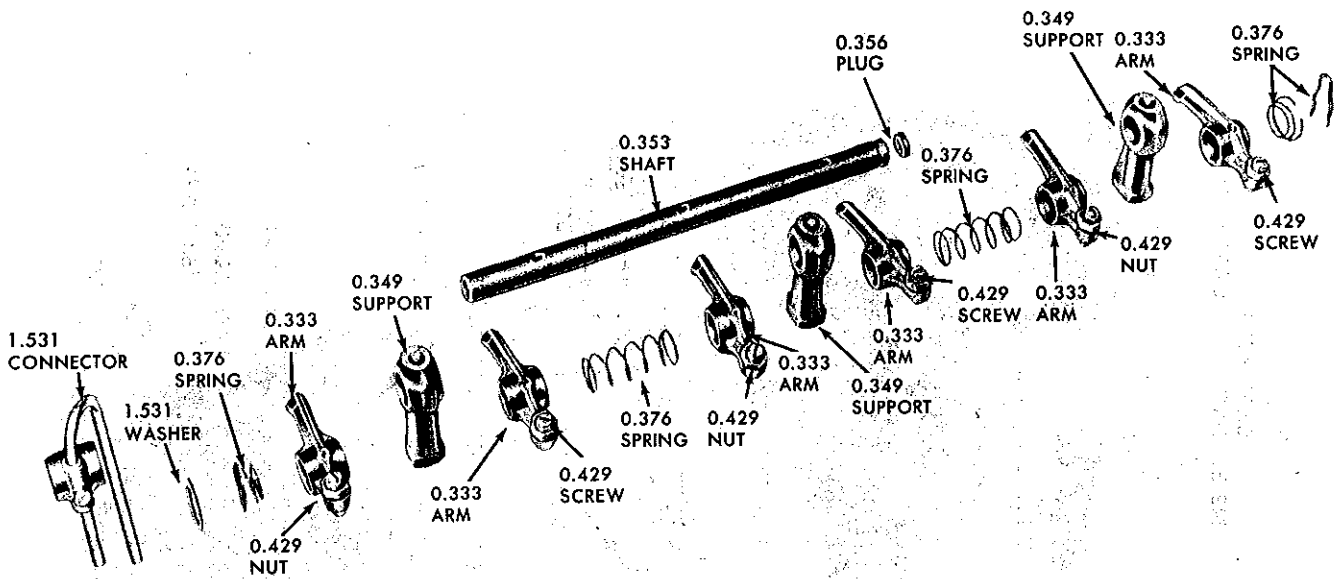


0-7

1953-62 SIX CYLINDER ENGINE BLOCK



1953-62 SIX CYLINDER ENGINE CAMSHAFT, CRANKSHAFT



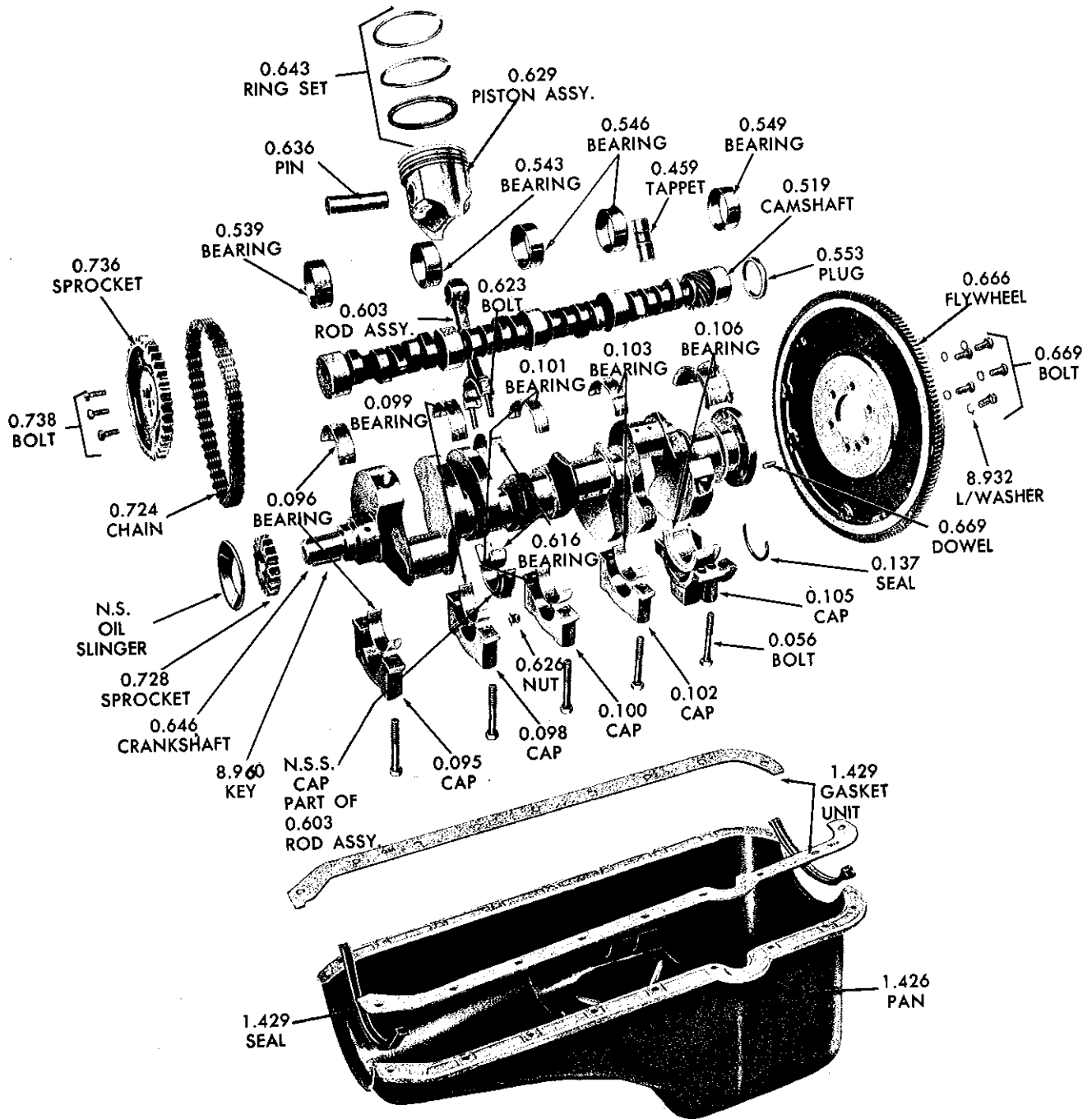
0-9

SIX CYLINDER ENGINE ROCKER ARM AND PARTS

DESIGN DIVISION, GENERAL MOTORS CORPORATION — CHEVROLET — 14

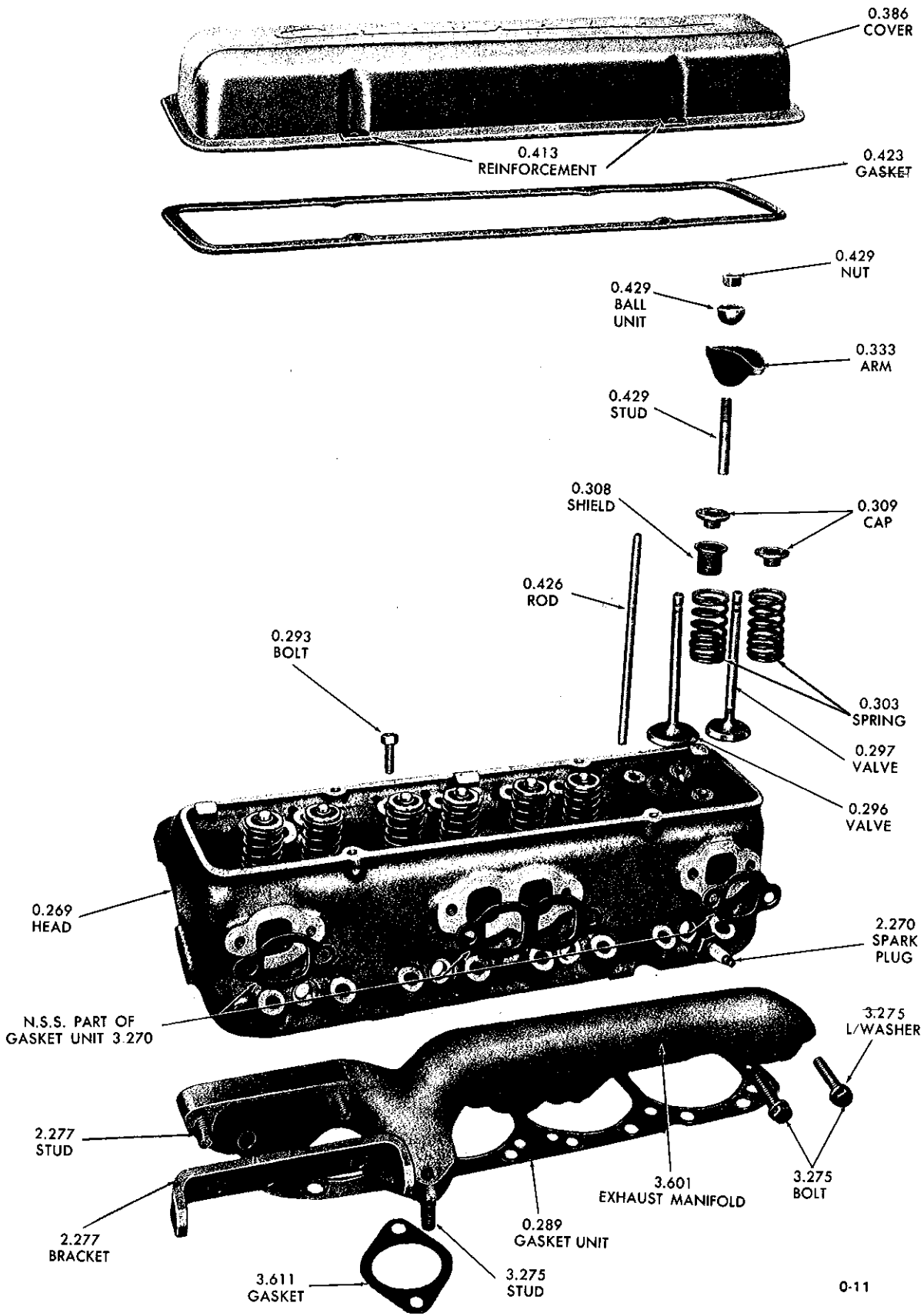
0-4 P

REV. 1-75

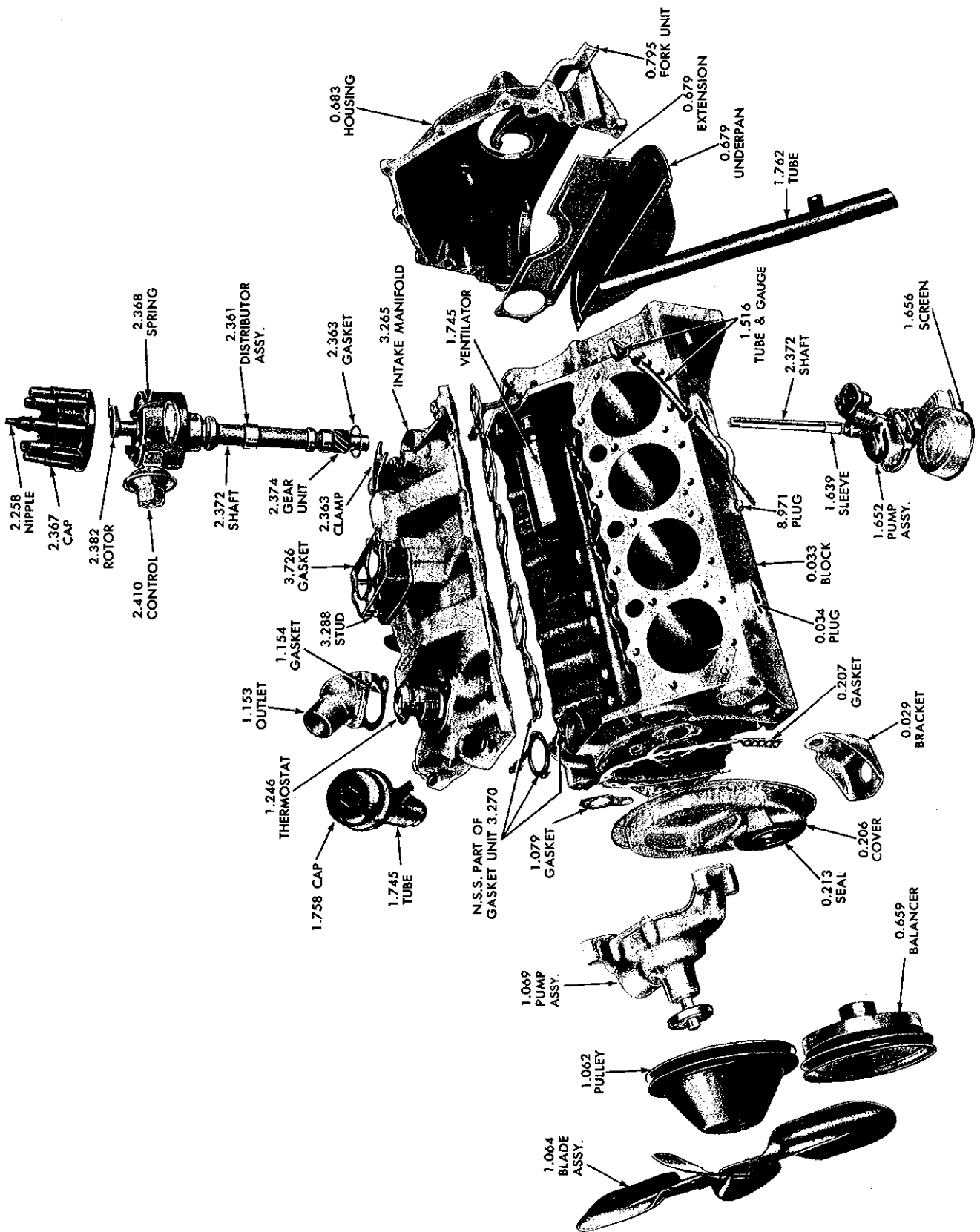


0-10

1955-1968 V-8 ENGINE—CRANKSHAFT, CAMSHAFT AND OIL PAN

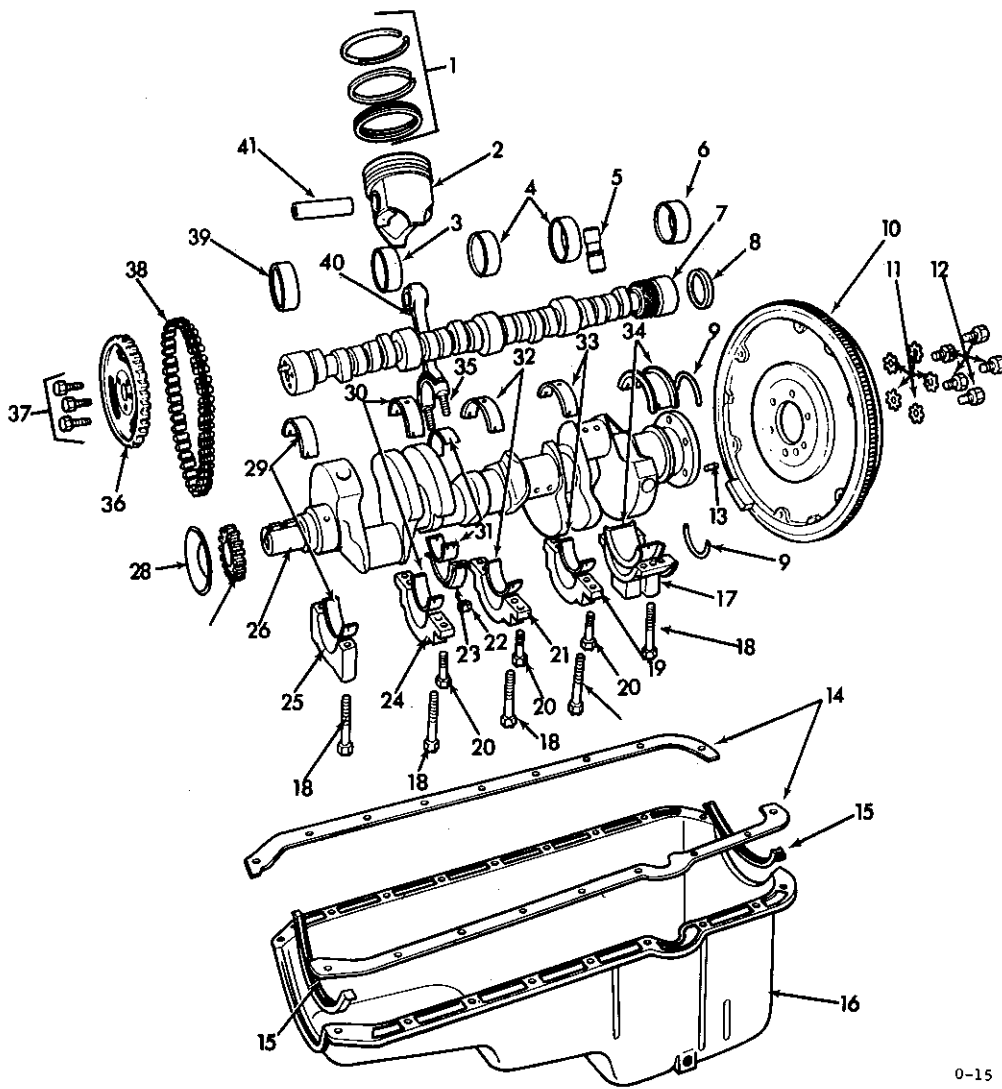


1955-68 V-8 ENGINE-HEAD AND MANIFOLD



0-14

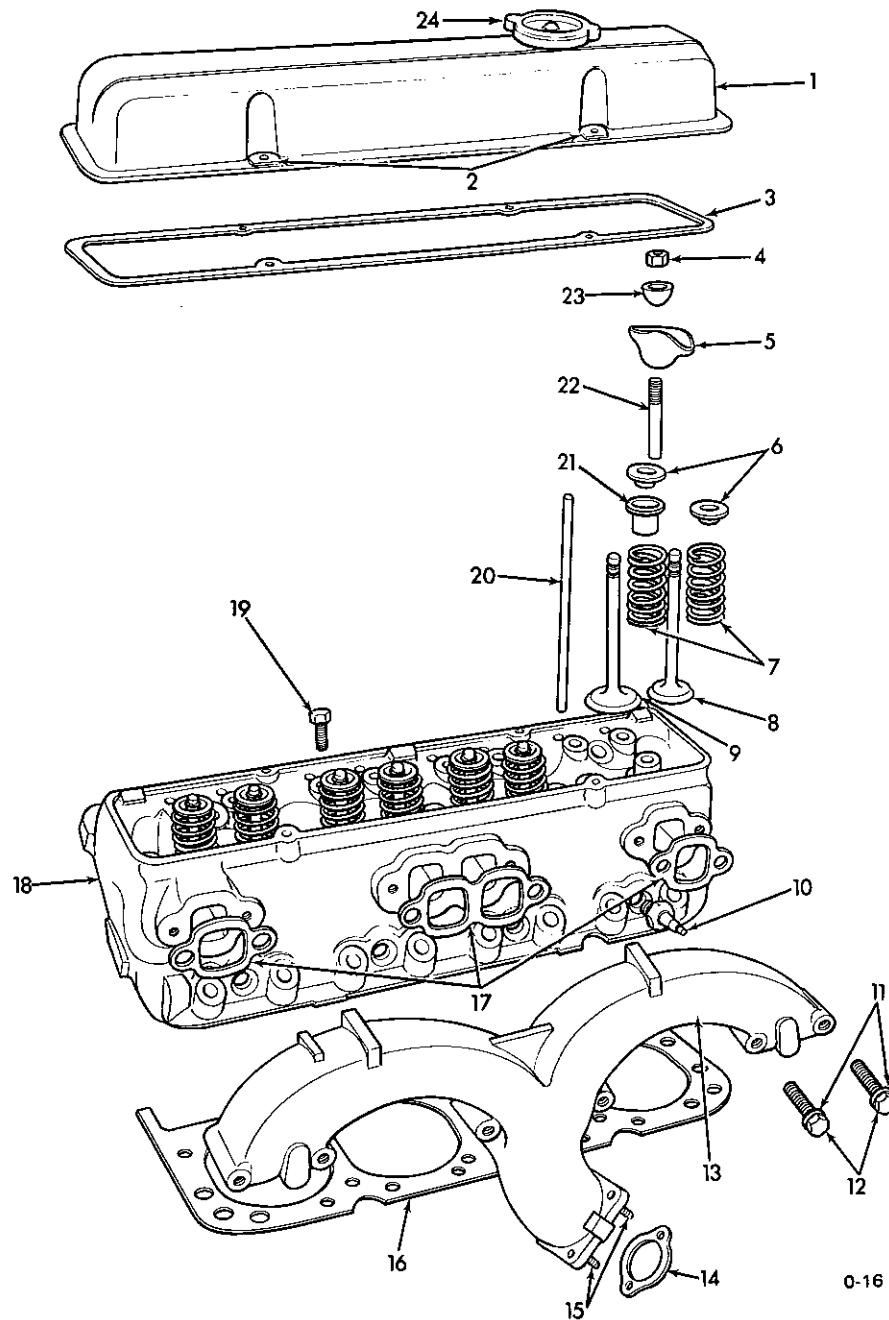
1955-68 V-8 ENGINE-BLOCK



0-15

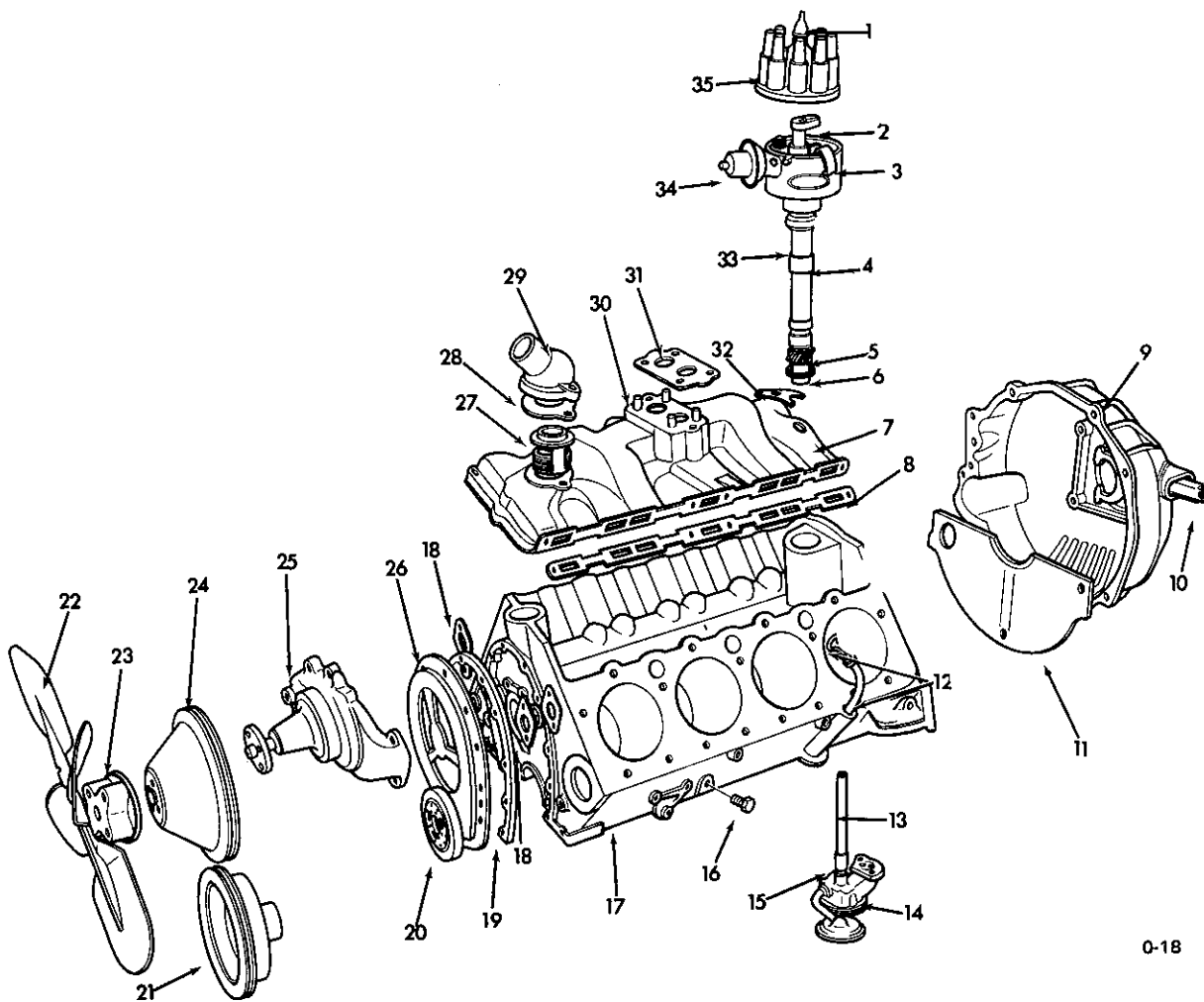
V-8 ENGINE—CRANKSHAFT, CAMSHAFT, AND OIL PAN (EXC. 396-400-427-454)

- | | |
|--|---|
| 1. 0.643 RING UNIT | 24. 0.098 CAP—Crankshaft Front Intermediate Bearing |
| 2. 0.629 PISTON | 25. 0.095 CAP—Crankshaft Front Bearing |
| 3. 0.543 BEARING—Camshaft Front Intermediate | 26. 0.646 CRANKSHAFT |
| 4. 0.546 BEARING—Camshaft Center and Rear Intermediate | 27. 0.728 SPROCKET—Crankshaft |
| 5. 0.459 TAPPET | 28. N.S. OIL SLINGER |
| 6. 0.549 BEARING—Camshaft Rear | 29. 0.096 BEARING—Crankshaft Front (1 Upper and 1 Lower) |
| 7. 0.519 CAMSHAFT | 30. 0.099 BEARING—Crankshaft Front Intermediate (1 Upper and 1 Lower) |
| 8. 0.553 PLUG | 31. 0.616 BEARING—Connecting Rod (1 Upper 1 Lower) |
| 9. 0.137 SEAL | 32. 0.101 BEARING—Crankshaft Center (1 Upper and 1 Lower) |
| 10. 0.666 FLYWHEEL | 33. 0.103 BEARING—Crankshaft Rear Intermediate (1 Upper and 1 Lower) |
| 11. 8.932 WASHER (7/16) | 34. 0.106 BEARING—Crankshaft Rear (1 Upper and 1 Lower) |
| 12. 8.900 BOLT (7/16—20 x 1) | 35. 0.623 BOLT |
| 13. 0.669 DOWEL | 36. 0.736 SPROCKET—Camshaft |
| 14. 1.429 GASKET | 37. 0.738 BOLT |
| 15. 1.429 SEAL—Front | 38. 0.724 CHAIN—Camshaft |
| 16. 1.426 PAN | 39. 0.539 BEARING—Camshaft Front |
| 17. 0.105 CAP—Crankshaft Rear Bearing | 40. 0.603 ROD ASSY. |
| 18. 0.056 BOLT | 41. 0.636 PIN |
| 19. 0.102 CAP—Crankshaft Rear Intermediate | |
| 20. 0.056 BOLT | |
| 21. 0.100 CAP—Crankshaft Center Bearing | |
| 22. 8.917 NUT (3/8—24) | |
| 23. 0.616 CONNECTING ROD—Bearing Cap (1 Upper and 1 Lower) | |



V-8 ENGINE HEAD AND MANIFOLD (350)

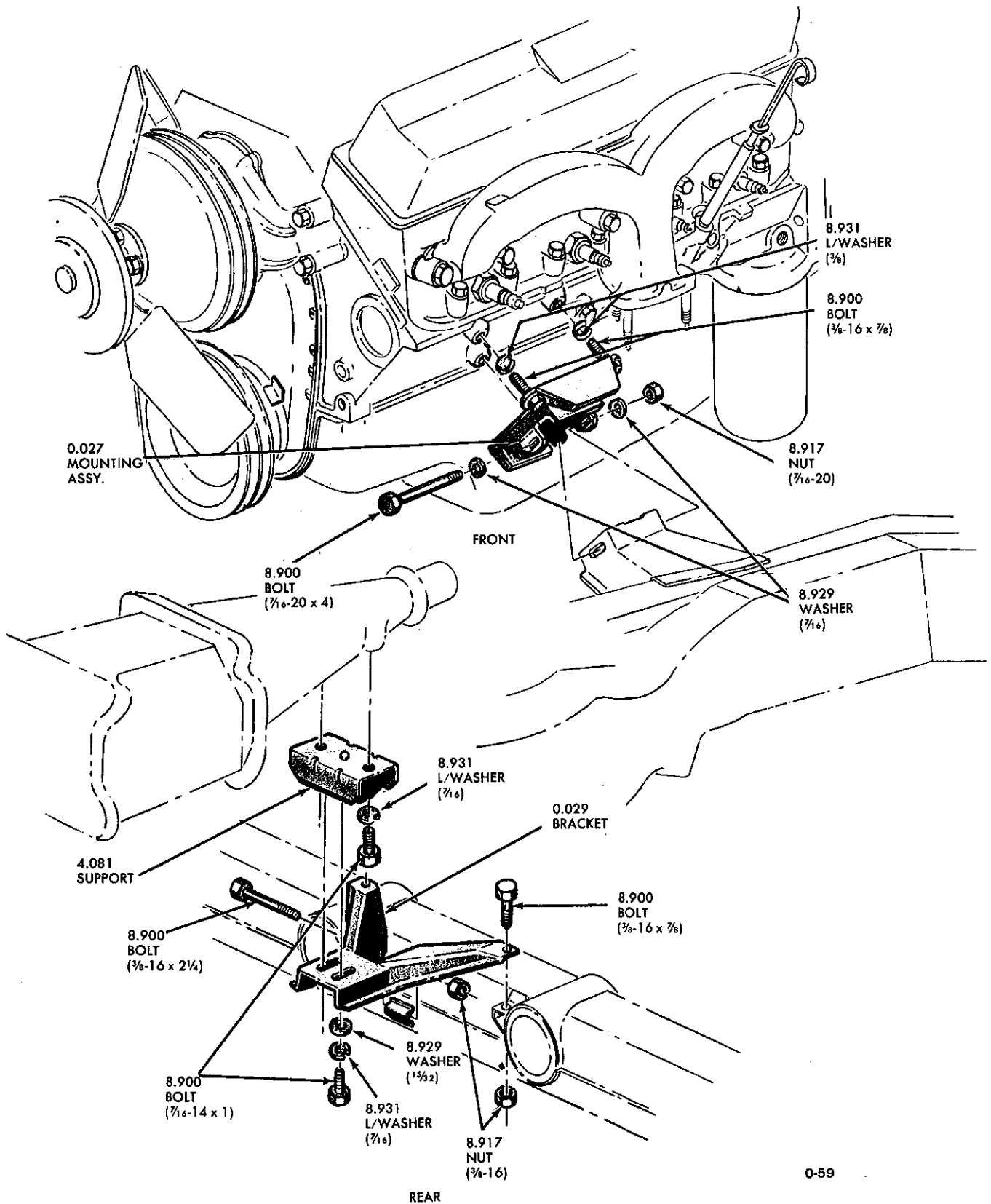
- | | | | | | |
|-----|-------|------------------|-----|--------|---------------------------|
| 1. | 0.386 | COVER | 13. | 3.601 | MANIFOLD ASSY.—Exhaust |
| 2. | 0.413 | REINFORCEMENT | 14. | 3.611 | GASKET |
| 3. | 0.423 | GASKET | 15. | 3.275 | STUD |
| 4. | 0.429 | NUT | 16. | 0.289 | GASKET UNIT |
| 5. | 0.333 | ARM—Valve Rocker | 17. | N.S.S. | Part of Gasket Unit 3.270 |
| 6. | 0.309 | CAP | 18. | 0.269 | HEAD ASSY.—Cylinder |
| 7. | 0.303 | SPRING | 19. | 0.293 | BOLT |
| 8. | 0.297 | VALVE—Exhaust | 20. | 0.426 | ROD |
| 9. | 0.296 | VALVE—Inlet | 21. | 0.308 | SHIELD |
| 10. | 2.270 | SPARK PLUG | 22. | 0.429 | STUD |
| 11. | 3.275 | WASHER | 23. | 0.429 | BALL |
| 12. | 3.275 | BOLT | 24. | 1.758 | CAP |



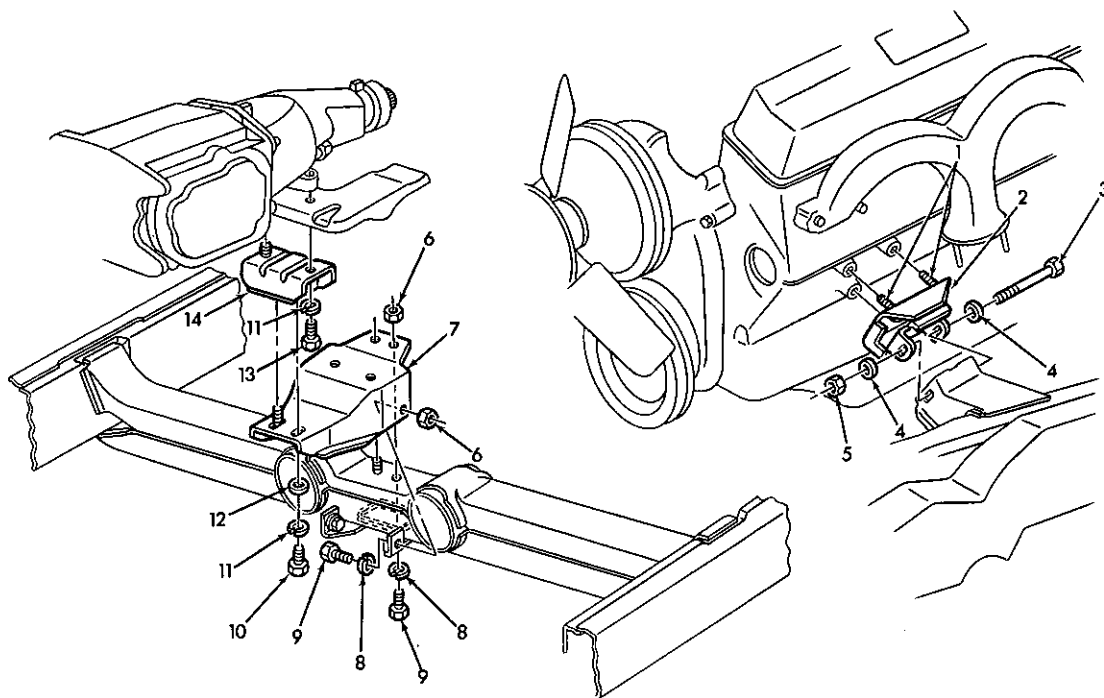
0-18

V-8 ENGINE BLOCK (EXC. 396-400-427-454)

- | | |
|---|----------------------------------|
| 1. 2.258 NIPPLE | 18. 1.079 GASKET |
| 2. 2.382 ROTOR | 19. 0.207 GASKET |
| 3. 2.368 SPRING | 20. 0.659 DAMPER ASSY.—Torsional |
| 4. 2.361 DISTRIBUTOR ASSY. | 21. 0.659 BALANCER |
| 5. 2.374 GEAR UNIT | 22. 1.064 BLADE |
| 6. 2.363 GASKET | 23. 1.064 SPACER |
| 7. 3.265 INTAKE MANIFOLD | 24. 1.062 PULLEY |
| 8. 3.270 GASKET | 25. 1.069 PUMP ASSY. |
| 9. 0.683 HOUSING | 26. 0.206 COVER |
| 10. 0.795 FORK ASSY. | 27. 1.246 THERMOSTAT |
| 11. 0.686 COVER | 28. 1.154 GASKET |
| 12. 1.516 TUBE AND GAUGE | 29. 1.153 OUTLET |
| 13. 2.372 SHAFT | 30. 3.288 STUD |
| 14. 1.652 PUMP ASSY. | 31. 3.726 GASKET |
| 15. 1.639 SLEEVE | 32. 2.363 CLAMP |
| 16. 8.971 PLUG—Water Drain Hole (1/4—18) | 33. 2.372 SHAFT |
| 17. 0.033 BLOCK | 34. 2.410 CONTROL |
| | 35. 3.267 DISTRIBUTOR ASSY.—Cap |



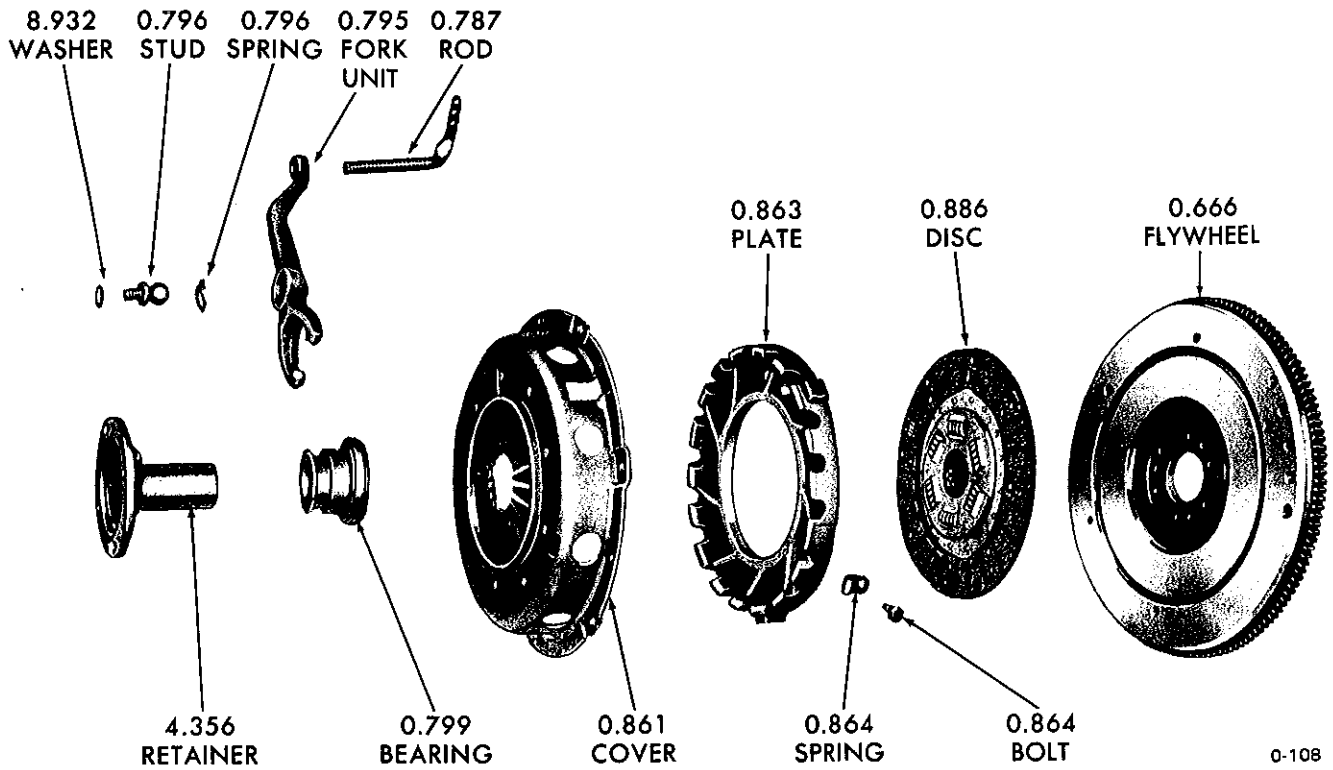
1963-67 CORVETTE ENGINE MOUNTINGS



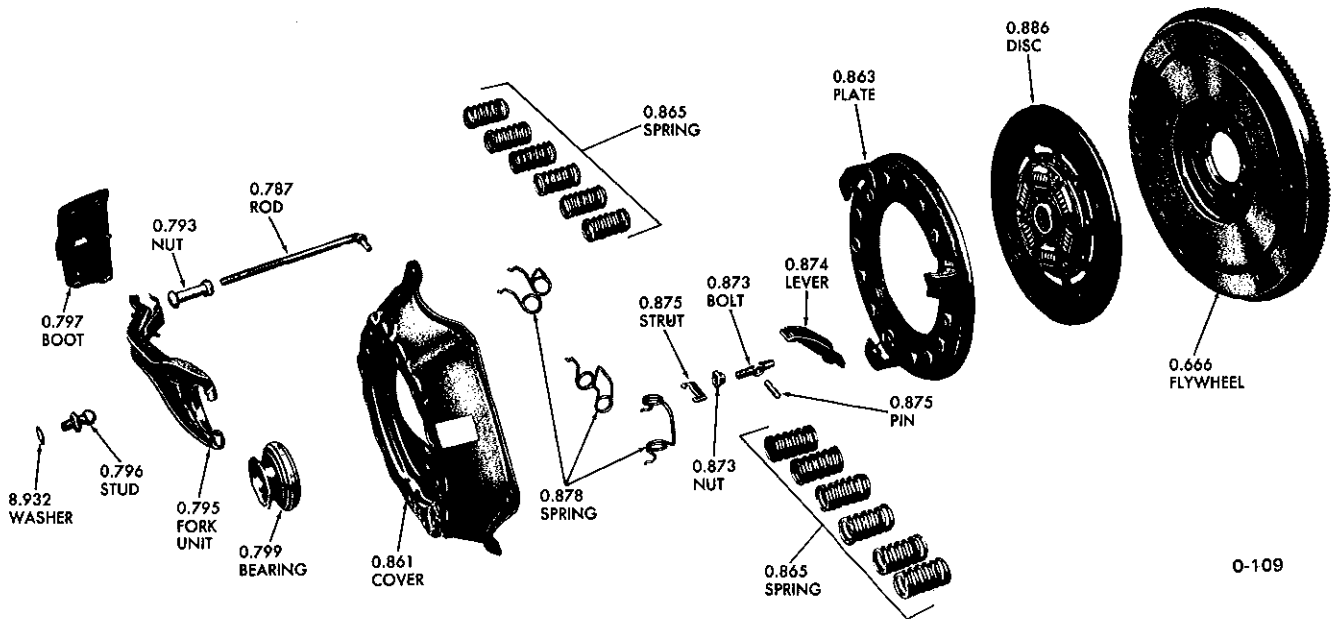
0-59A

1968-75 CORVETTE ENGINE MOUNTING

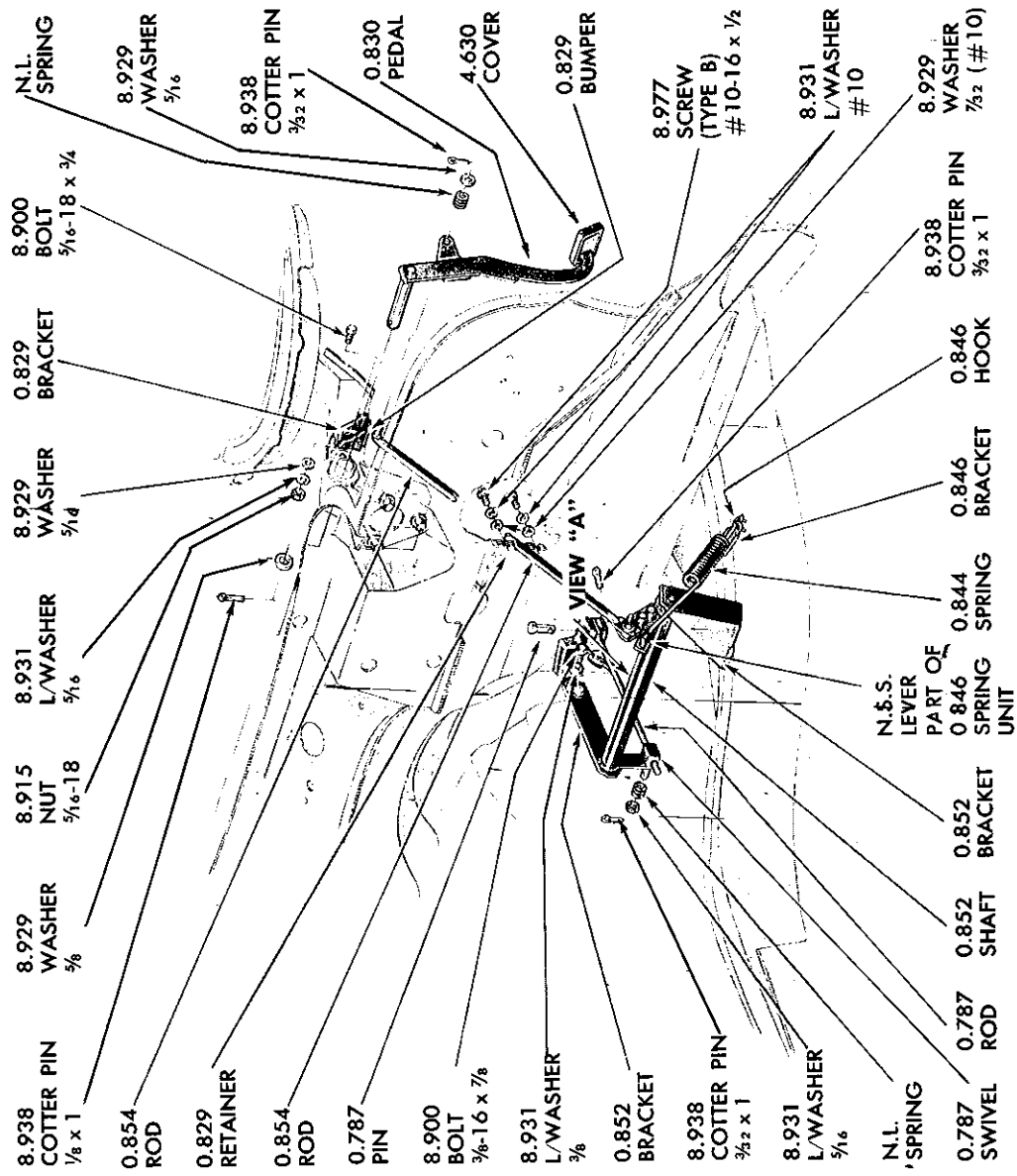
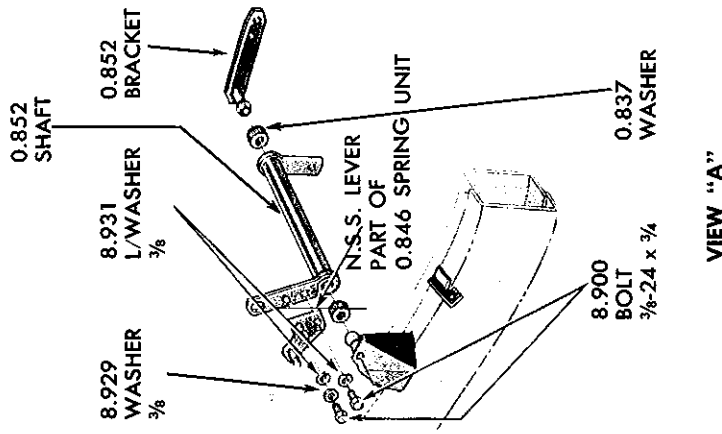
- | | |
|--|---|
| 1. 8.900 SCREW (3/8-16 x 7/8) | 8. 8.931 WASHER (3/8) |
| 2. 0.027 MOUNTING ASSY | 9. 8.900 BOLT (3/8-16 x 3/4) |
| 3. 8.900 BOTL (7/16-20 x 4) | 10. 8.900 BOLT (7/16-14 x 1-1/8) |
| 4. 8.929 WASHER (7/16) | 11. 8.931 WASHER (7/16) |
| 5. 8.917 NUT (7/16-20) | 12. 8.929 WASHER (15/32 x 1-1/4 x 3/16) |
| 6. 8.915 NUT (3/8-16) | 13. 8.900 BOLT (7/16-14 x 1) |
| 7. 0.029 BRACKET-Transmission Mounting | 14. 4.081 MOUNTING ASSY.-Transmission |



DIAPHRAGM SPRING TYPE CLUTCH PARTS

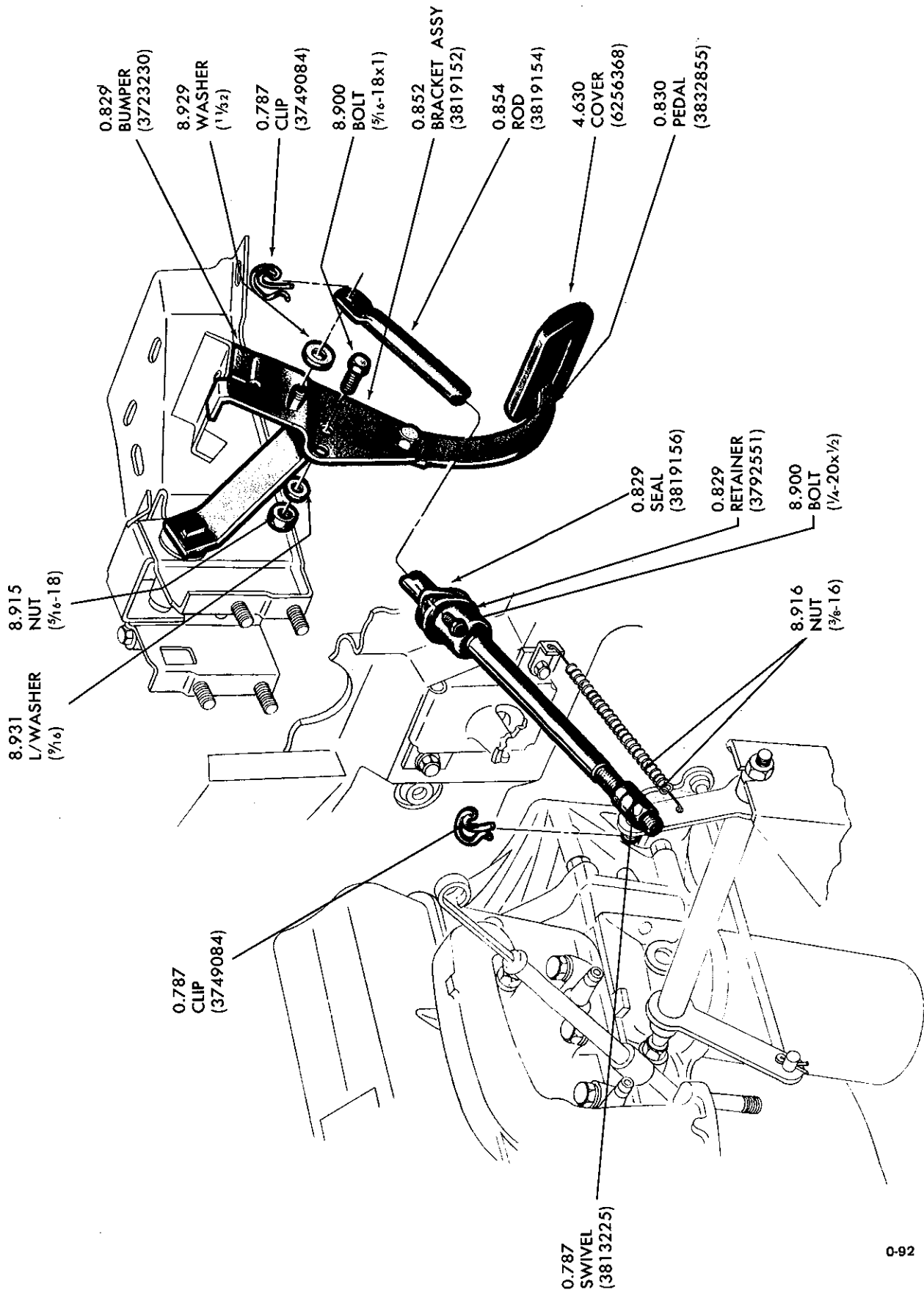


COIL SPRING CLUTCH PARTS

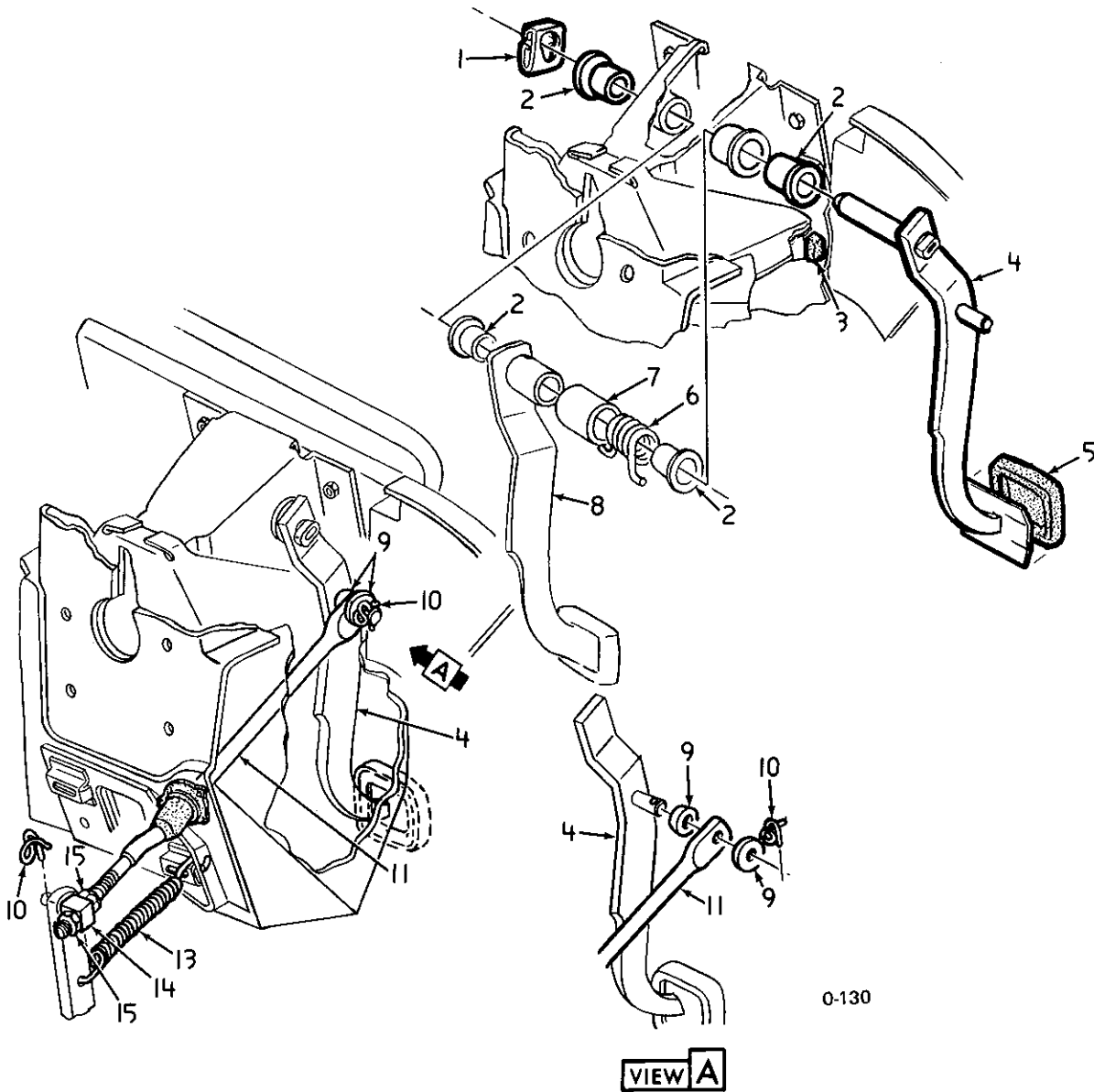


0-91

1958-62 CORVETTE CLUTCH LINKAGE



1963-67 CORVETTE CLUTCH LINKAGE



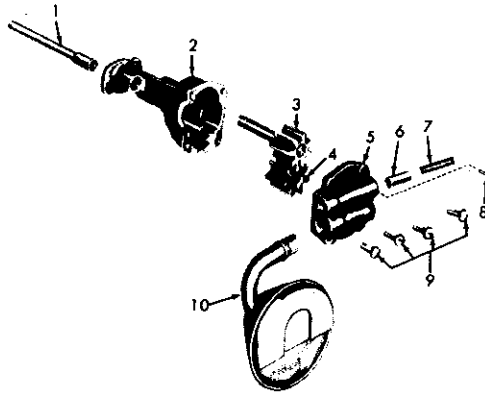
0-130

1968-75 CORVETTE CLUTCH LINKAGE

- | | | | |
|----------|------------|-----------|-------------------------------|
| 1. 4.634 | RETAINER | 9. 8.929 | WASHER (11/32 x 11/16 x 3/16) |
| 2. 4.262 | BUSHING | 10. 4.765 | CLIP |
| 3. 0.829 | BUMPER | 11. 0.854 | ROD |
| 4. 0.830 | PEDAL ASSY | 12. 0.829 | SEAL |
| 5. 4.630 | COVER | 13. 0.844 | SPRING |
| 6. 4.760 | SPRING | 14. 0.787 | SWIVEL |
| 7. 4.626 | BUSHING | 15. 8.916 | NUT (3/8-16) |
| 8. 4.625 | PEDAL ASSY | | |



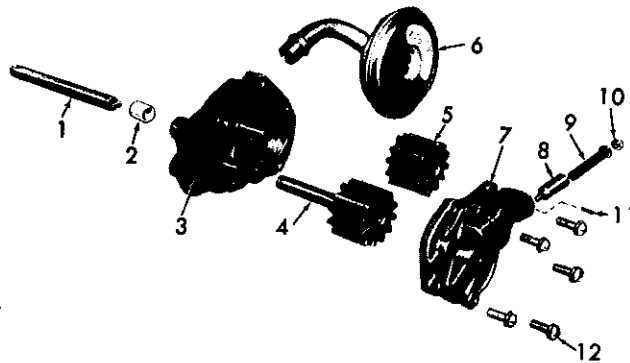
GROUP 1.000
COOLANT — GRILLE
OIL SYSTEMS



1-131

1973-75 OIL PUMP—V-8 (EXC. MARK IV)

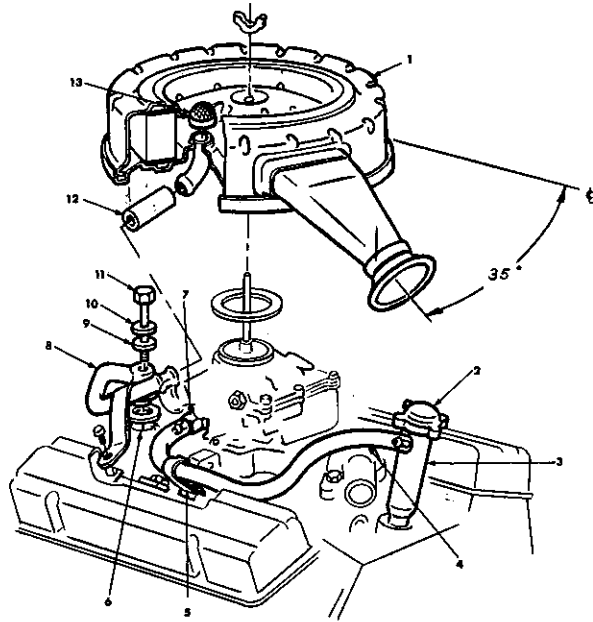
- | | | | |
|-----------|--|-----------|----------------|
| 1. N.S.S. | SHAFT EXTENSION (Part of Pump Asm.) | 5. 1.723 | PUMP COVER |
| 2. 1.652 | PUMP ASM. | 6. 1.609 | VALVE |
| 3. N.S.S. | DRIVE GEAR & SHAFT (Part of Pump Asm.) | 7. 1.609 | SPRING |
| 4. N.S.S. | IDLER GEAR (Part of Pump Asm.) | 8. 8.939 | PIN 3/32 x 3/4 |
| | | 9. 8.909 | BOLT |
| | | 10. 1.656 | SCREEN ASM. |



1-134

1973-75 OIL PUMP MARK IV

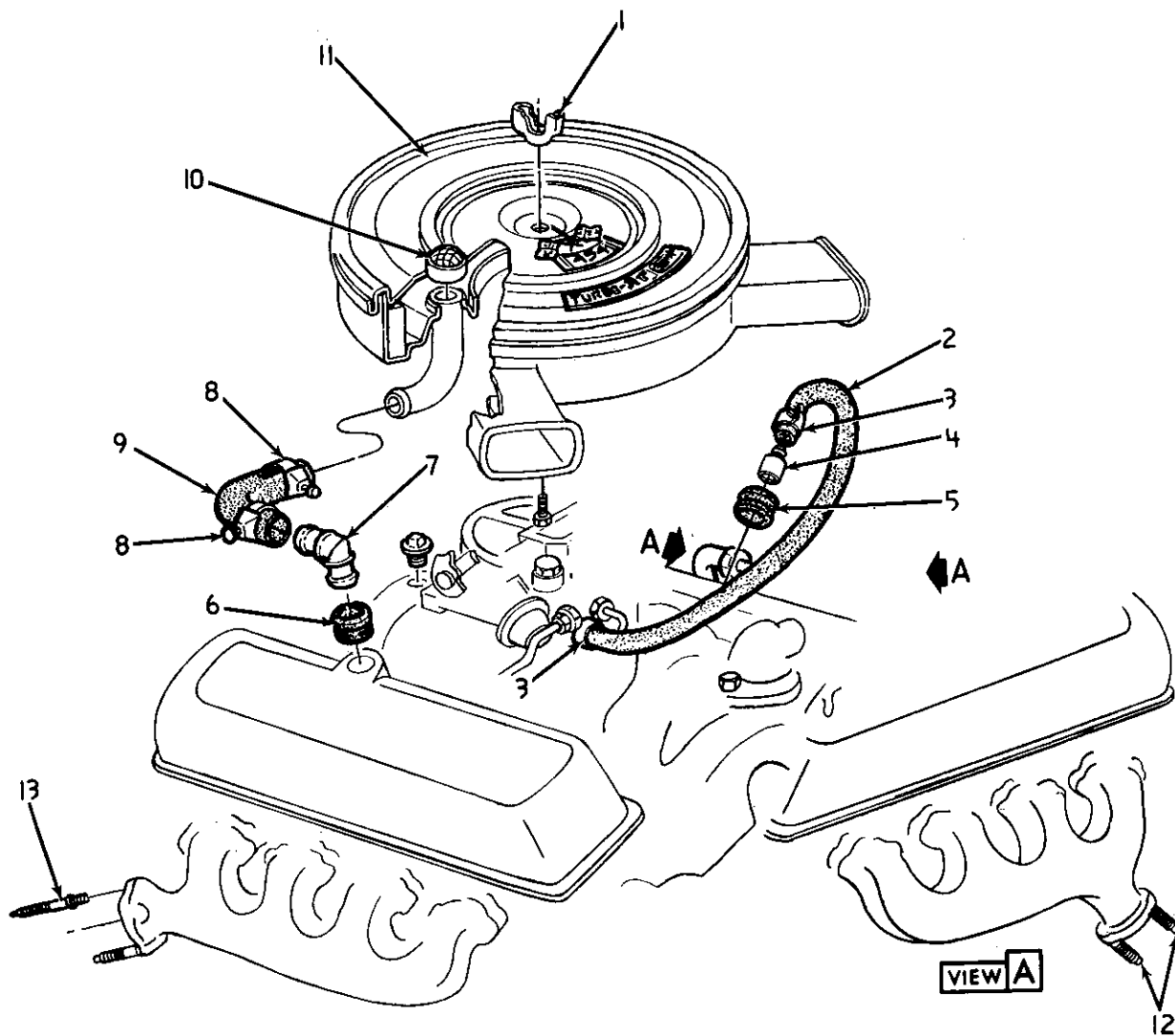
- | | | | |
|-----------|--|-----------|----------------|
| 1. N.S.S. | SHAFT EXTENSION (Part of Pump Asm.) | 6. 1.656 | SCREEN ASM. |
| 2. N.S.S. | SHAFT COUPLING (Part of Pump Asm.) | 7. 1.723 | PUMP COVER |
| 3. 1.652 | PUMP ASM. | 8. 1.609 | VALVE |
| 4. N.S.S. | DRIVE GEAR w/SHAFT (Part of Pump Asm.) | 9. 1.609 | SPRING |
| 5. N.S.S. | IDLER GEAR (Part of Pump Asm.) | 10. 1.609 | RETAINER |
| | | 11. 8.939 | PIN 3/32 x 3/4 |
| | | 12. 8.939 | BOLT |



1-15

283-327—CLOSED POSITIVE VENTILATION

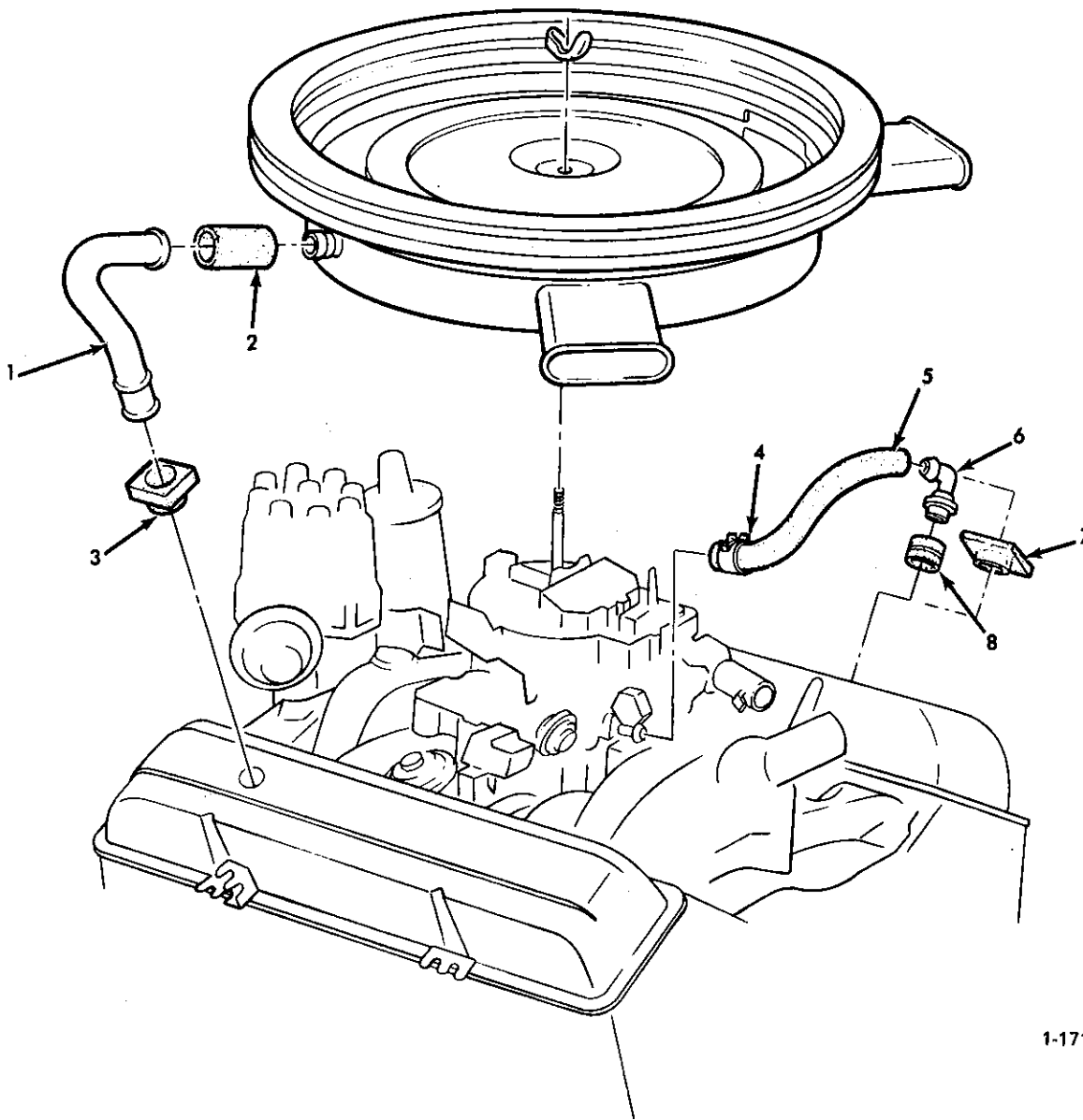
- | | |
|----------------------|---------------------------------|
| 1. 3.402 AIR CLEANER | 8. 1.762 TUBE ASSY. |
| 2. 1.758 CAP ASSY. | 9. 1.745 GASKET |
| 3. 1.745 TUBE ASSY. | 10. 8.929 WASHER (1/4) |
| 4. 8.962 HOSE | 11. 8.900 BOLT (1/4-20 x 4-1/2) |
| 5. 1.762 CLIP | 12. 8.962 HOSE (15/16 I.D.) |
| 6. 1.745 GASKET | 13. 1.745 ARRESTOR |
| 7. 1.745 CONNECTOR | |



1-7

1971-72 CORVETTE 454 H/PER. CRANKCASE VENTILATION

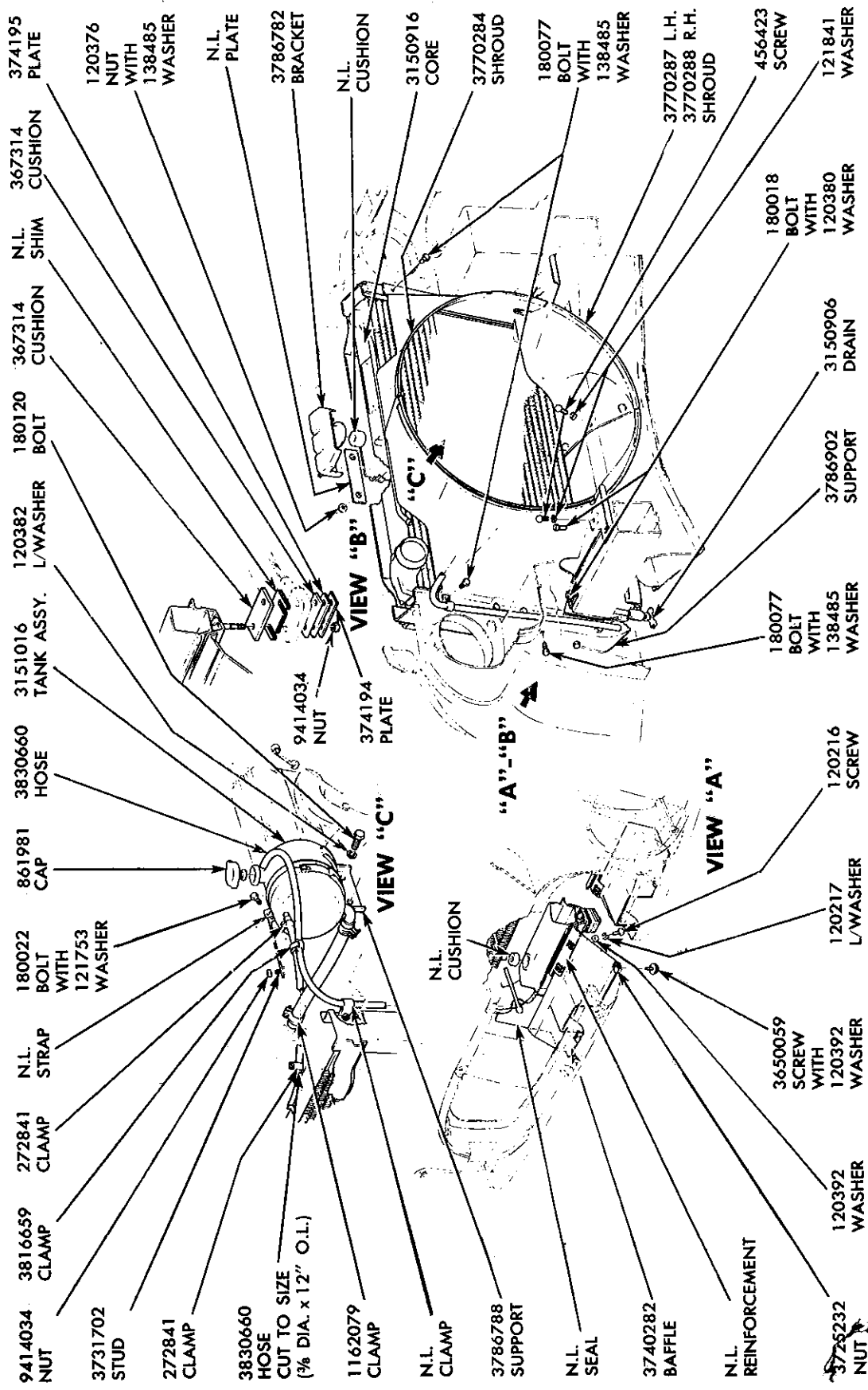
| | | | | | | | |
|----|-------|-------------------|---------|-----|-------|----------------|---------|
| 1. | 8.920 | WING NUT (1/4-20) | | 8. | 1.166 | CLAMP (1 1/2) | |
| 2. | 8.962 | HOSE | | 9. | 1.762 | HOSE | 3916380 |
| 3. | 1.166 | CLAMP | 2494772 | 10. | 1.745 | ARRESTOR-Flame | 3849856 |
| 4. | 1.745 | VALVE ASSY. | 6484525 | 11. | 3.402 | AIR/CL. ASSY. | 6485887 |
| 5. | 1.745 | GROMMET | 3989347 | 12. | 3.275 | STUD L.H. | 3760425 |
| 6. | 1.745 | GROMMET | 3989348 | 13. | 3.275 | STUD R.H. | 3760426 |
| 7. | 1.745 | CONNECTOR | 3868842 | | | | |



1-171

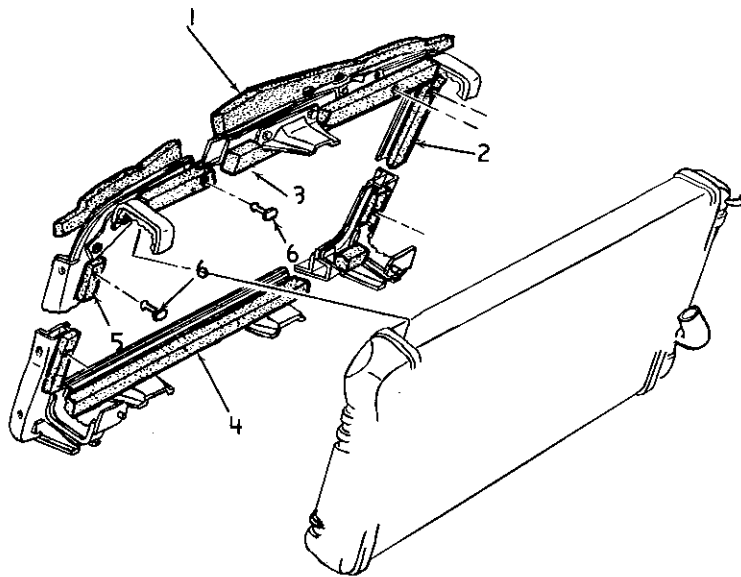
1973-74 CORVETTE POSITIVE CRANKSHAFT VENTILATION (PCV)

- | | | | |
|----------|---|----------|---|
| 1. 1.762 | PIPE—ventilator outer | 5. 8.962 | HOSE—I.D. 25/64 O.D. 5/8 length 15-1/2" |
| 2. 3.675 | HOSE—crankcase vent, a/cl. to rocker cvr. | 6. 1.745 | VALVE ASSY.—crankcase vent. |
| 3. 1.745 | GROMMET—crankcase vent, hose | 7. 1.745 | GROMMET—crankcase vent, valve |
| 4. 1.166 | CLAMP—hose spring band | 8. 1.745 | GROMMET—crankcase vent, hose connector |



1961-62 CORVETTE RADIATOR DETAILS

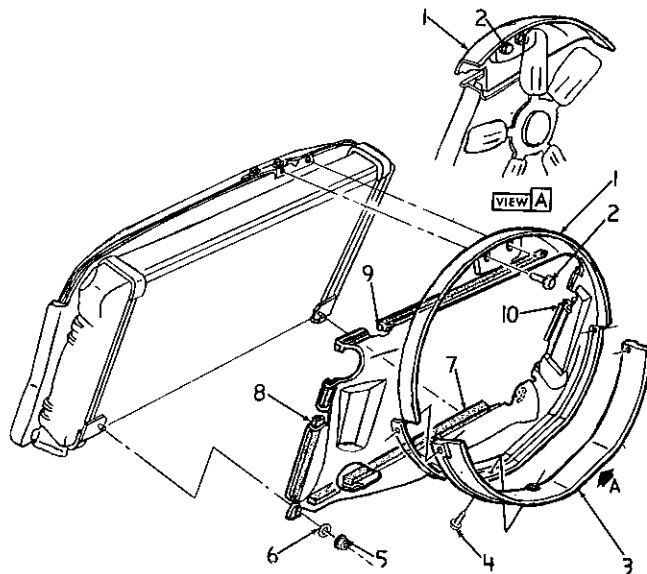
1-118



1-8

1971-74 CORVETTE RADIATOR SEALS

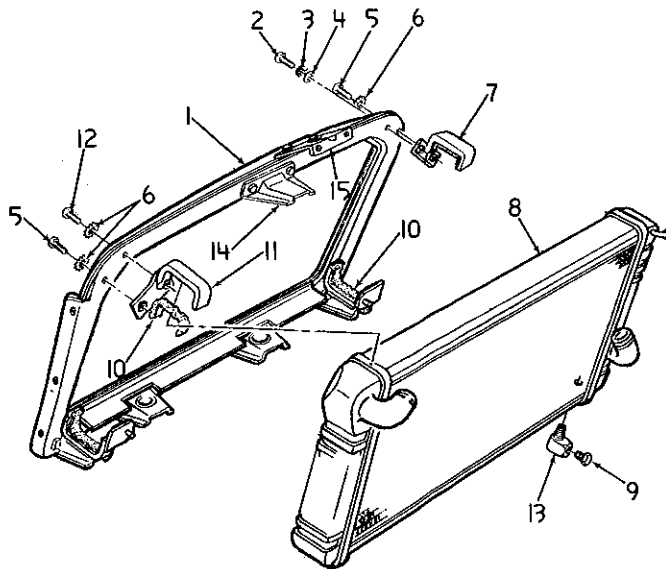
- | | |
|---------------------------------|--|
| 1. 1.270 SEAL—Supt. to Hood | 4. N.S. SEAL—Supt. Lwr. (Cut from 3966648) |
| 2. N.S. SEAL—(Cut from 3966648) | 5. N.S. SEAL—Supt. L.H. (Cut from 3966648) |
| 3. 1.270 SEAL—Supt. Upr. | 6. 1.270 FASTENER |



1-9

1971-74 CORVETTE RADIATOR SHROUD EXTENSION AND SEALS (454)

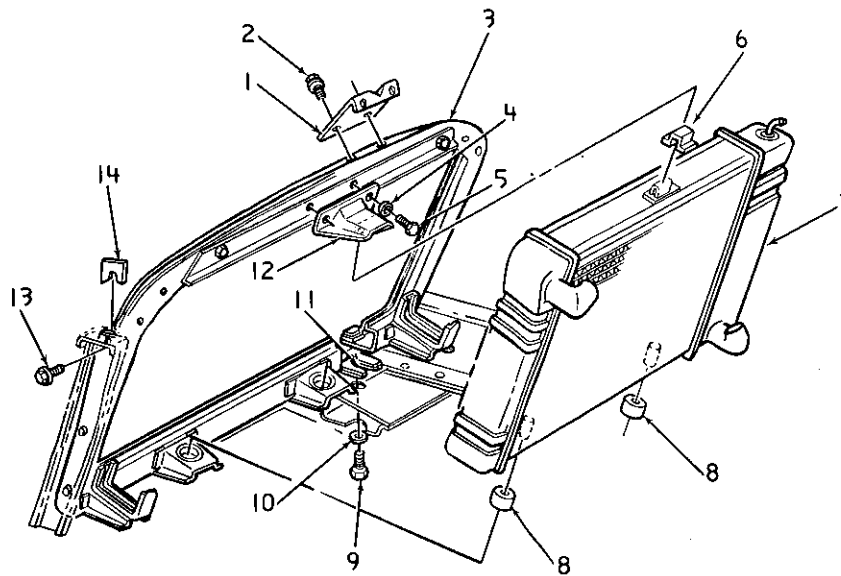
- | | |
|----------------------------------|--|
| 1. 1.277 SHROUD | 6. 8.931 WASHER (5/8 x 1/16) |
| 2. 8.900 SCREW ASSY. | 7. 1.270 SEAL—Shroud Lwr. |
| 3. 1.277 EXTENSION ASSY. | 8. N.S. SEAL—Shroud L.H. (Cut from 3956332) |
| 4. 8.907 SCREW ASSY. (10-24 x 1) | 9. N.S. SEAL—Shroud Upr. (Cut from 3954569) |
| 5. 8.915 NUT (1/4-20) | 10. N.S. SEAL—Shroud R.H. (Cut from 3956332) |



1-10

1971-74 CORVETTE H.D. RADIATOR AND SUPPORT (454)

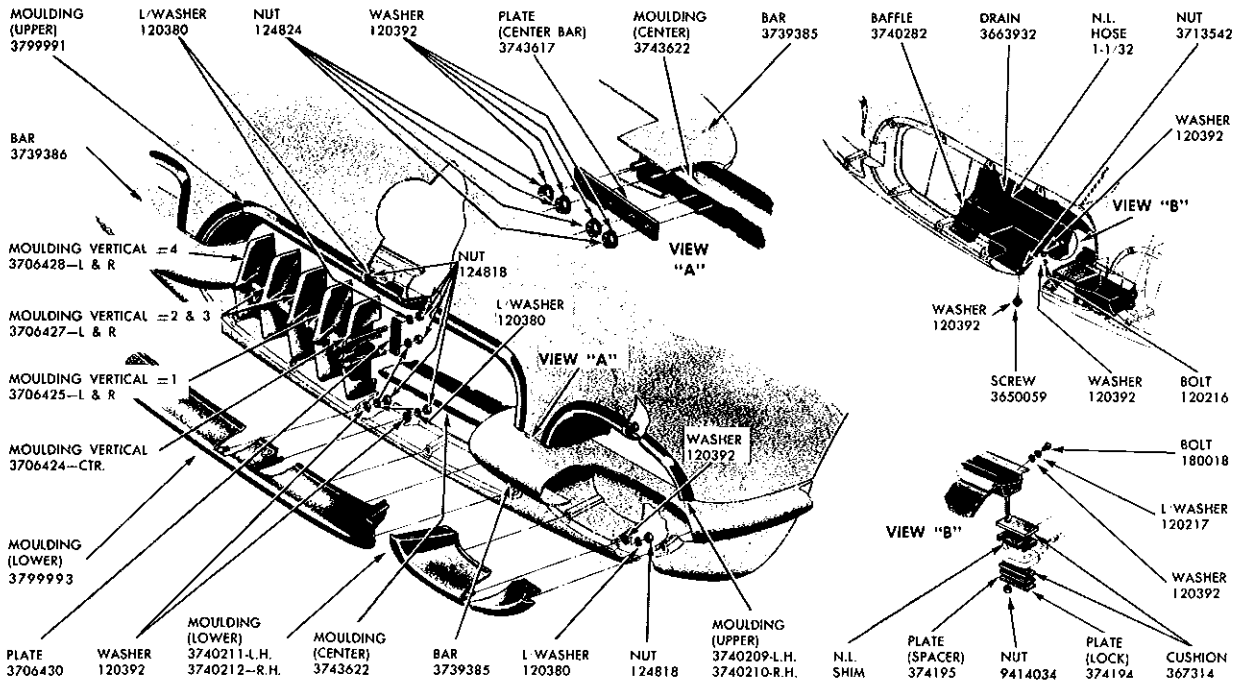
- | | | |
|---------------------------------|----------------------------------|---------|
| 1. 1.270 SUPPORT ASSY: | 9. 8.971 PLUG | |
| 2. 8.900 BOLT (5/16-18 x 1 5/8) | 10. 1.270 INSULATOR | 3886891 |
| 3. 8.931 WASHER (5/16) | 11. 1.270 PLATE ASSY: | 3952977 |
| 4. 8.929 WASHER | 12. 8.900 BOLT (5/16-18 x 1 1/4) | |
| 5. 8.900 BOLT (1 1/8) | 13. 8.963 ELBOW | |
| 6. 8.932 WASHER (5/16) | 14. 1.270 BRACKET ASSY. | |
| 7. 1.270 PLATE ASSY. | 15. 1.277 BRACKET ASSY. | 3952918 |
| 8. 1.219 BODY ASSY.—Radiator | | |



1-11

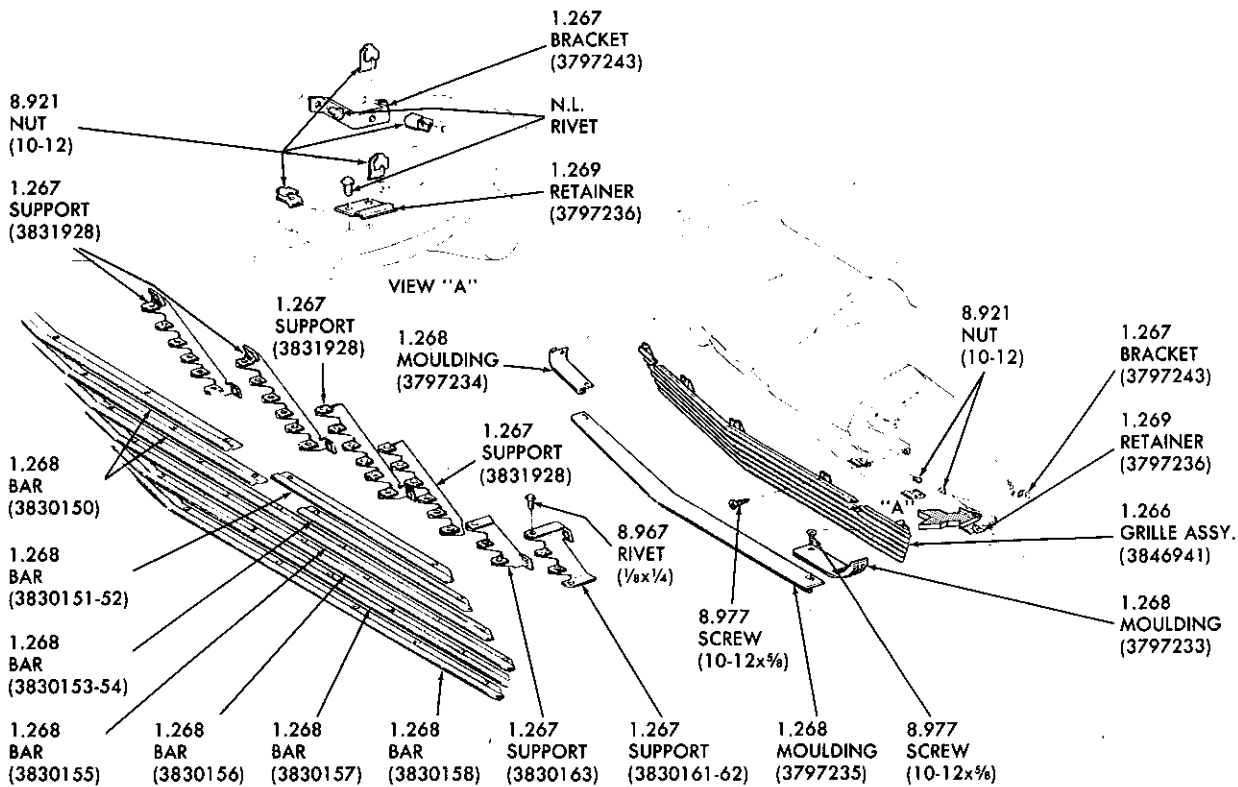
1971-74 CORVETTE RADIATOR SUPPORT AND BRACKETS (EXC. H.D. RADIATOR)

- | | |
|---------------------------------|--|
| 1. 1.277 BRACKET ASSY. | 8. N.S. CUSHION—Lwr. |
| 2. 8.977 SCREW ASSY. | 9. 8.900 BOLT (7/16-14 x 1) |
| 3. 1.270 SUPPORT ASSY. | 10. 8.929 WASHER |
| 4. 8.931 WASHER (5/16) | 11. 1.270 SHIM |
| 5. 8.900 BOLT (5/16-18 x 1 5/8) | 12. 1.270 BRACKET ASSY. |
| 6. 1.270 CUSHION—Upr. | 13. 8.900 SCREW ASSY. (5/16-18 x 1 1/16) |
| 7. 1.219 BODY ASSY.—Rad. | 14. N.S. SHIM |



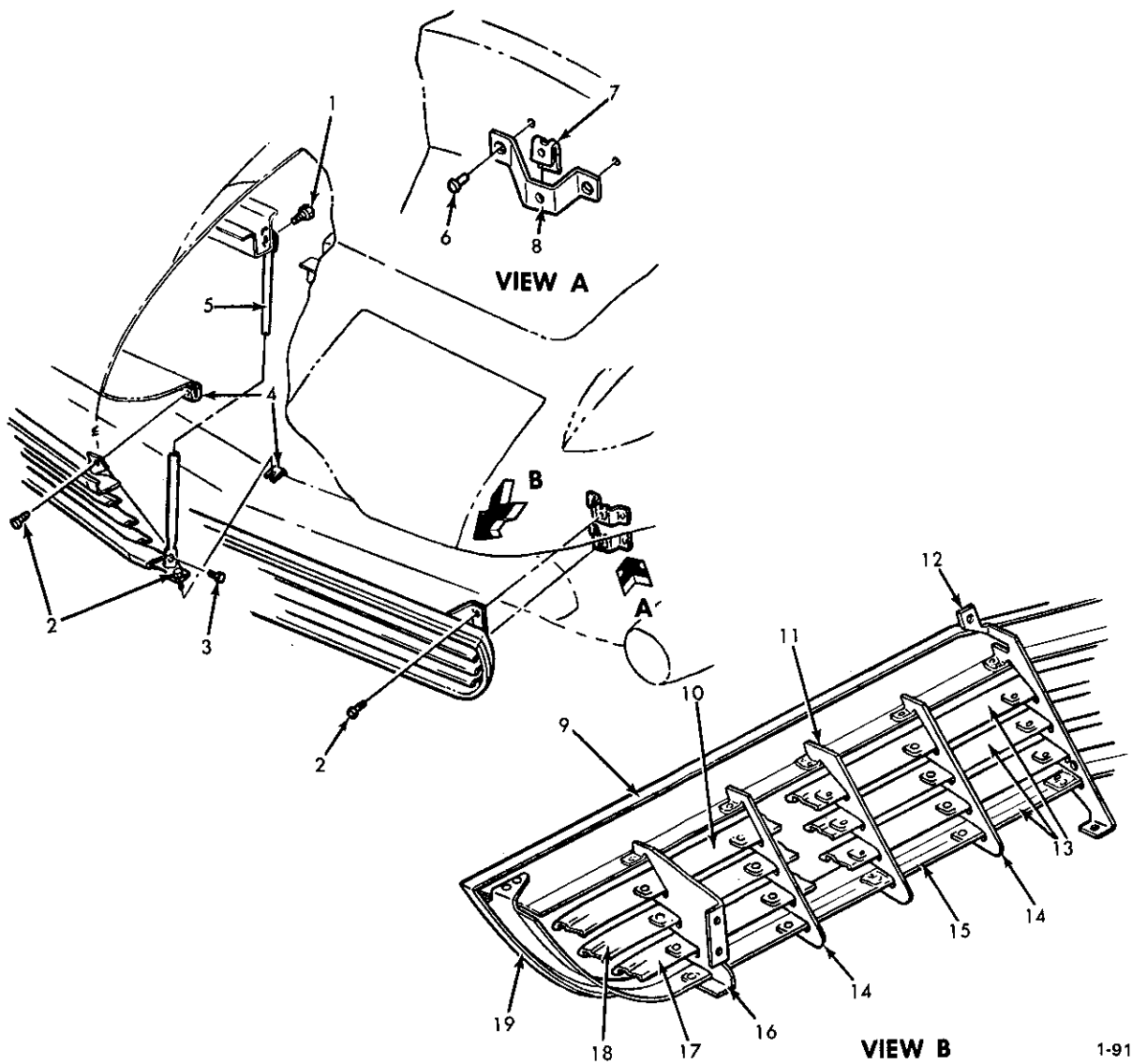
1-89

1958-60 CORVETTE GRILLE-EXPLODED



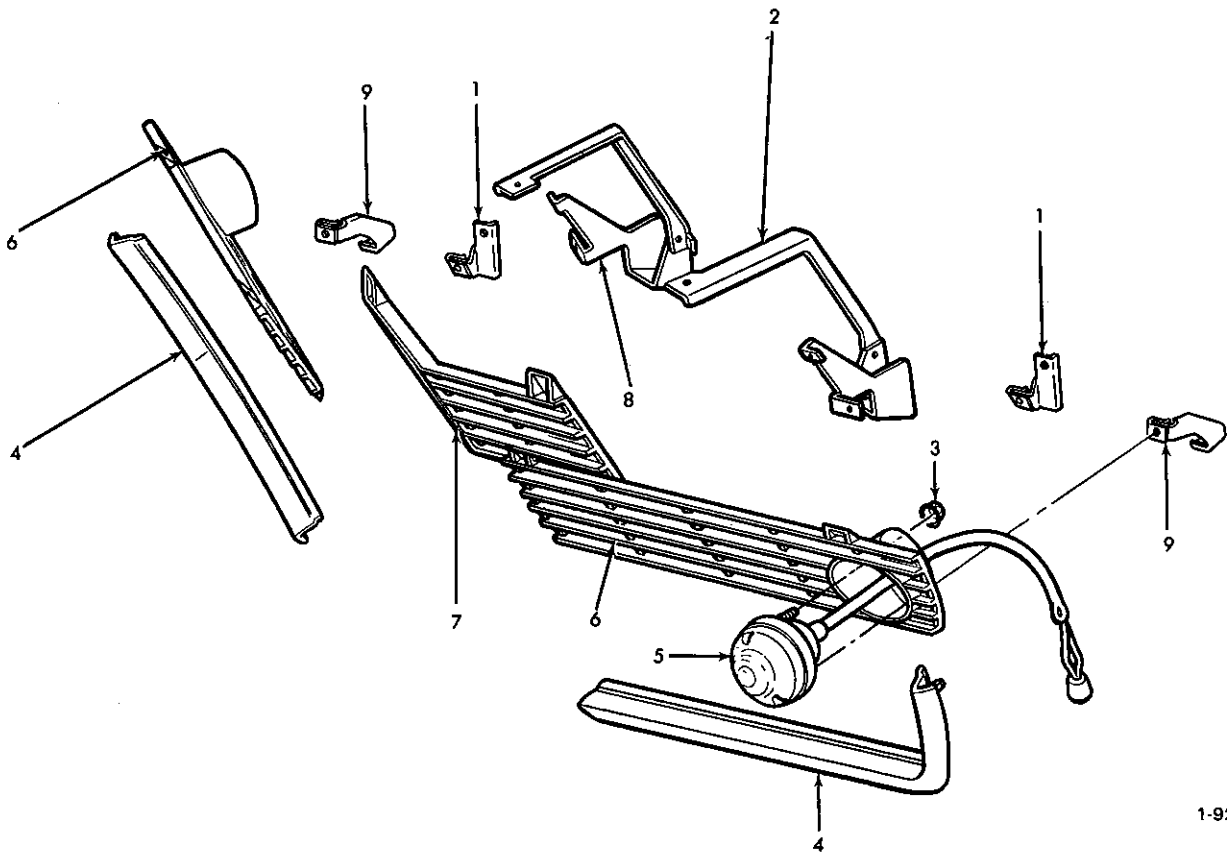
1-90

1963-64 CORVETTE GRILLE-EXPLODED



1965 CORVETTE GRILLE-EXPLODED

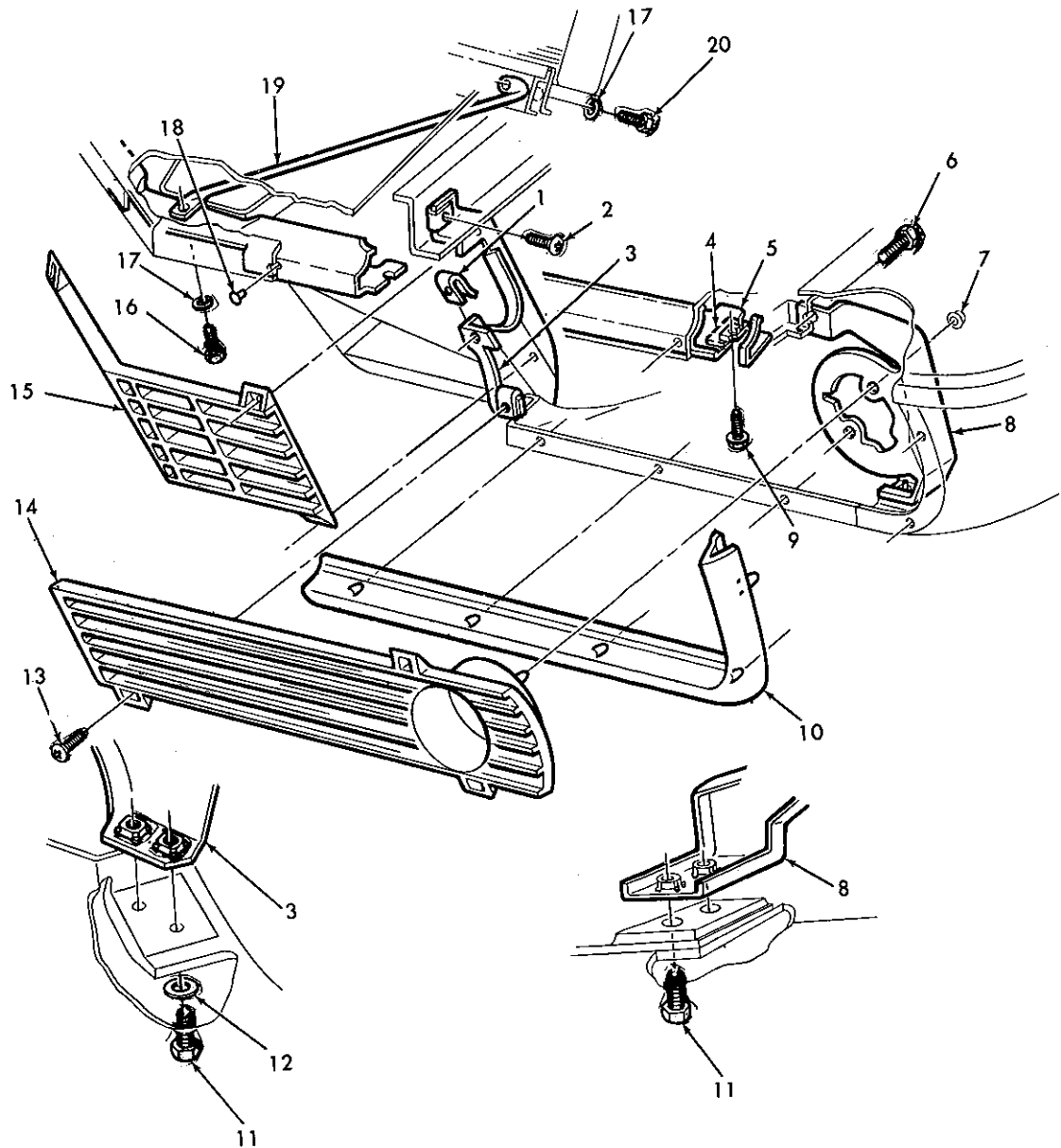
| | | | | | | | |
|-----|-------|--------------------------------|------------|-----|-------|----------------------------|------------|
| 1. | 8.977 | SCREW (1/4-14 x 5/8) (Type BA) | | 11. | 1.267 | SUPPORT-#2 intermediate | 3860567 |
| 2. | 8.913 | SCREW (1/4-20 x 5/8) | | 12. | 1.267 | SUPPORT-Center | 3860567 |
| 3. | 8.900 | BOLT (3/8-16 x 1/2) | | 13. | 1.268 | BAR-#1, 2, 3 | |
| 4. | 8.921 | NUT-U (1/4-20) | | | | Center | 3860574 |
| 5. | 1.287 | ROD | 3866468 | 14. | 1.267 | SUPPORT-#1, 3 Intermediate | 3860567 |
| 6. | 8.997 | RIVET | | 15. | 1.268 | MOULDING-Center, lower | 3860578 |
| 7. | 8.921 | NUT-U (1/4-20) | | 16. | 1.267 | SUPPORT-Outer | 3860578 |
| 8. | 1.267 | BRACKET | 3860570 | 17. | 1.268 | BAR-#3 Outer | 3830151-52 |
| 9. | 1.268 | MOULDING-Upper | 3866198 | 18. | 1.268 | BAR-#2 Outer | 3830151-52 |
| 10. | 1.268 | BAR-#1 outer | 3830151-52 | 19. | 1.268 | MOULDING-Side | 3860583-84 |



1-92

1968 CORVETTE GRILLE-EXPLODED

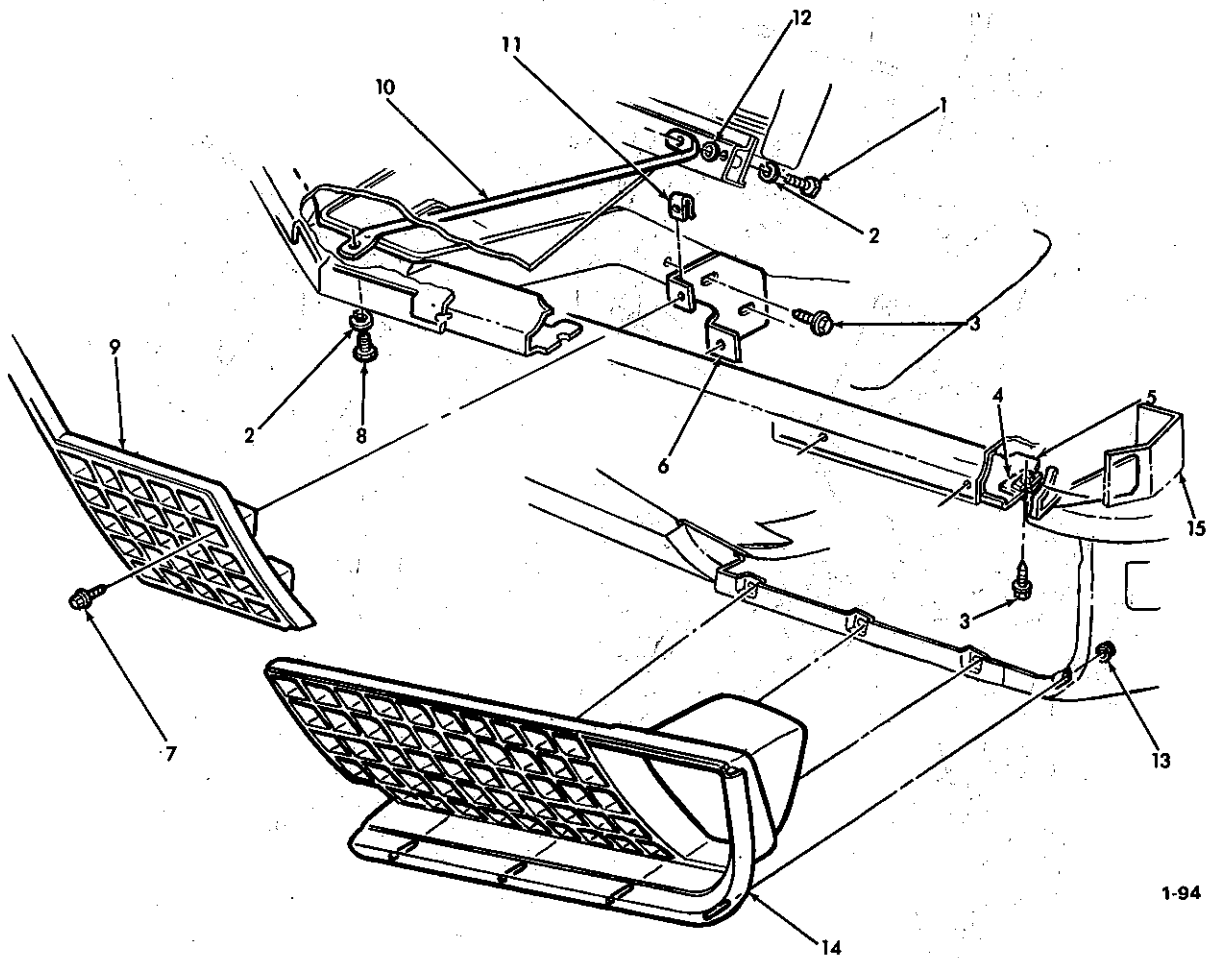
| | | | |
|--------------------------|------------|------------------------|------------|
| 1. 1.267 SUPPORT | 3930353-54 | 6. 1.266 GRILLE | 3966553-54 |
| 2. 1.267 SUPPORT | 3953039 | 7. 1.266 GRILLE | 3966555 |
| 3. 8.921 NUT (1/4) | | 8. 1.267 SUPPORT | 3953040 |
| 4. 1.268 MOULDING | 3915847-48 | 9. 1.267 SUPPORT | 3930351-52 |
| 5. 2.585 LAMP ASSY. | 916765 | | |



1-93

1969 CORVETTE GRILLE-EXPLODED

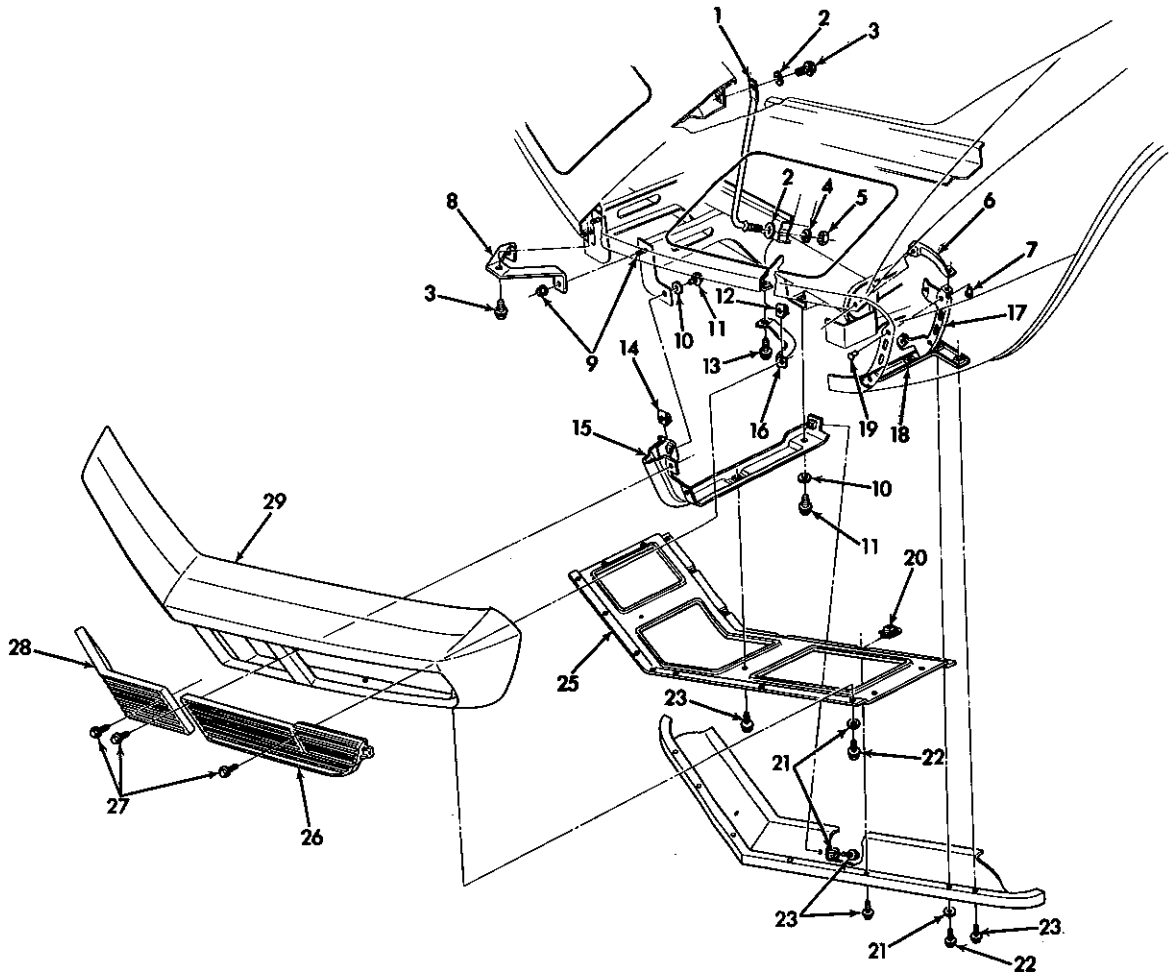
| | | | |
|--------------------------------------|---------|---------------------------------------|---------|
| 1. 8.921 NUT (No. 8-18) | | 1.267 SUPPORT-Outer Grill Outer- | |
| 2. 8.977 SCREW (No. 8-18 x 5/8) | | R.H. | 3953038 |
| 3. 1.267 SUPPORT-Outer Grill Inner- | | 9. 8.900 BOLT (5/16-18 x 7/8) | |
| L.H. | 3953039 | 10. 1.268 MOULDING-L.H. | 3915847 |
| 1.267 SUPPORT-Outer Grill Inner- | | 1.268 MOULDING-R.H. | 3915848 |
| R.H. | 3953040 | 11. 8.977 SCREW (1/4-20 x 3/4) | |
| 4. 8.131 REINFORCEMENT EXTENSION- | | 12. 8.929 WASHER (11/32) | |
| L.H. | 3927663 | 13. 8.977 SCREW (No. 8-18 x 7/8) | |
| 8.131 REINFORCEMENT EXTENSION- | | 14. 1.266 GRILLE-Outer-L.H. | 3966553 |
| R.H. | 3927664 | 1.266 GRILLE-Outer-R.H. | 3966554 |
| 5. 1.263 REINFORCEMENT ASSY.-Fender- | | 15. 1.266 GRILLE-Center | 3915849 |
| Upper | 3938095 | 16. 8.900 BOLT (5/16-24 x 1/2) | |
| 6. 8.977 SCREW (No. 10-24 x 3/8) | | 17. 8.931 WASHER (5/16) | |
| 7. 8.921 NUT (1/4) | | 18. 8.967 RIVET | |
| 8. 1.267 SUPPORT-Outer Grill Outer- | | 19. 1.287 ROD-Rad. Support | 3974016 |
| L.H. | 3953037 | 20. 8.900 BOLT (5/16-18 x 1-1/2) | |



1-94

1970-72 CORVETTE GRILLE-EXPLODED

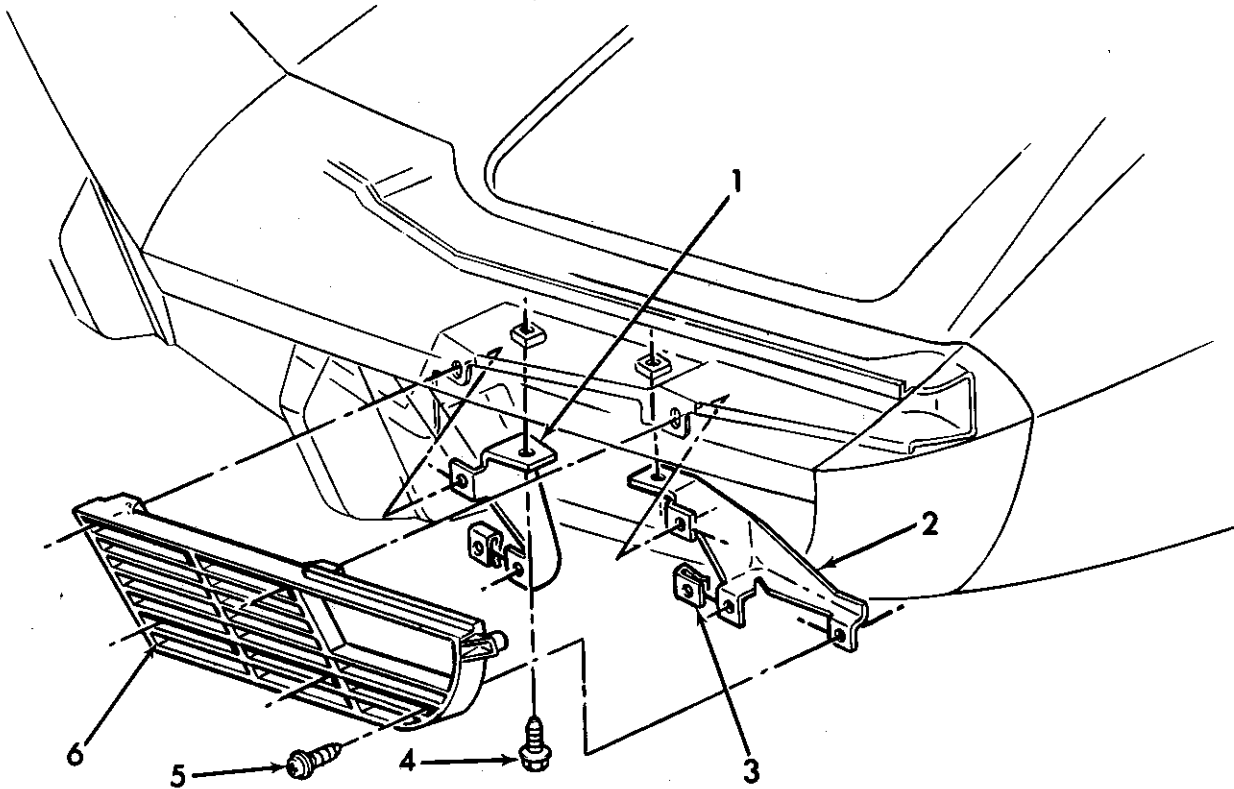
| | | | | | |
|-----|-------|-------------------------|-----------|------------|--|
| 1. | 8.900 | BOLT (5/16-18 x 1 1/2) | | | |
| 2. | 8.931 | WASHER (5/16) | | | |
| 3. | 8.977 | BOLT (5/16-18 x 13/16) | | | |
| 4. | 8.131 | REINFORCEMENT-Extension | 3927663-4 | | |
| 5. | 1.263 | REINFORCEMENT ASM. | 3938095 | | |
| 6. | 1.267 | SUPPORT | 3963133-4 | | |
| 7. | 8.977 | SCREW (10-16 x 5/8) | | | |
| 8. | 8.900 | BOLT (5/16-24 x 1/2) | | | |
| 9. | 1.266 | GRILLE | | 3966772 | |
| 10. | 1.287 | ROD-RAD. SUPT. | | 3974016 | |
| 11. | 8.921 | U-NUT (10-16) | | | |
| 12. | 8.931 | WASHER (21/64) | | | |
| 13. | 8.921 | NUT (3/16) | | | |
| 14. | 2.586 | HOUSING ASSY. | | 5964683-84 | |
| 15. | 7.836 | EXTENSION ASM.-Outer | | 3964159 | |



1-137

1973-74 CORVETTE GRILLE


| | | | | | |
|-----|---------------------------|----------|-----|-----------------------------|-----------|
| 1. | ROD | 331841 | 16. | BRACE | 331859-60 |
| 2. | 8.929 P. WASHER 21/64 | | 17. | 8.155 REINF. | 331831-2 |
| 3. | 8.977 SCREW 5/16-18 x 7/8 | | 18. | 8.141 REINF. | 331853-4 |
| 4. | 8.931 L. WASHER 5/16 | | 19. | 8.967 RIVET | |
| 5. | 8.915 NUT 5/16-18 | | 20. | 8.921 NUT 1/4-20 | |
| 6. | 8.155 REINF. EXT. | 331877-8 | 21. | 8.929 WASHER 1/4 | |
| 7. | 8.967 RIVET | | 22. | 8.977 BOLT 1/4-20 x 1 | |
| 8. | 8.141 SUPPORT-UPPER | 331827 | 23. | 8.900 BOLT & LOCKWASHER | |
| 9. | 7.840 BOLT UNIT | 327657 | | 1/4-20 x 13/16 | |
| 10. | 12.981 WASHER | 1347774 | 24. | 1.287 PANEL-LOWER EXTENSION | 327695 |
| 11. | 8.900 BOLT 7/16-14 x 1 | | 25. | 1.263 PANEL-LOWER | 327641 |
| 12. | 8.921 NUT #10-16 | | 26. | 1.266 GRILLE-OUTER | 331836-5 |
| 13. | 8.900 BOLT 1/4-20 x 13/16 | | 27. | 8.977 SCREW #10-16 x 3/4 | |
| 14. | 8.921 NUT 7/16-14 | | 28. | 7.833 GRILLE-CENTER | 331834 |
| 15. | 7.828 REINF. ASM. | | 29. | 7.833 COVER | 6263597 |



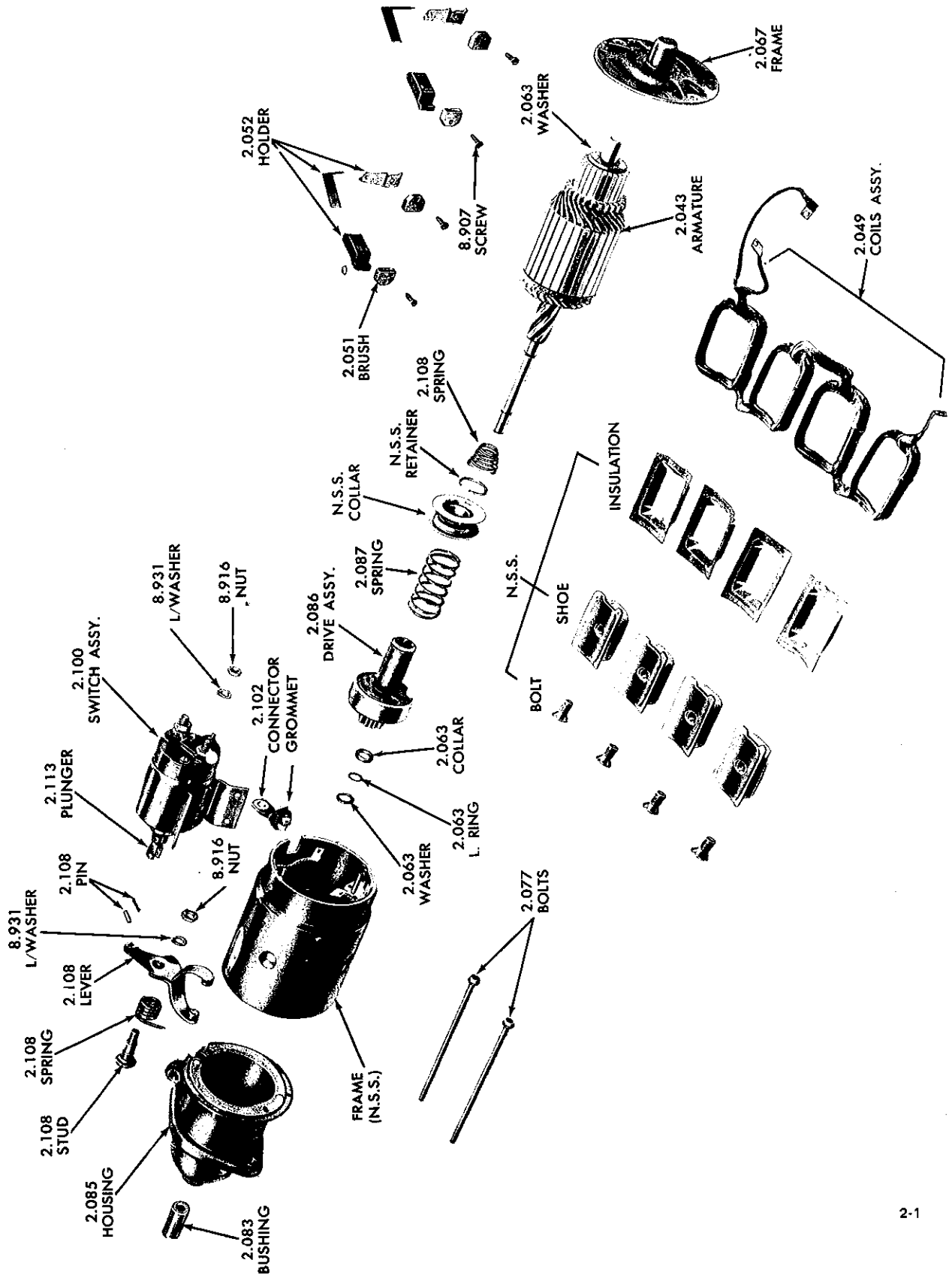
1-175

1975 CORVETTE GRILLE

- | | | | |
|----|-------|----------------------------|----------------|
| 1. | 1.267 | BRACKET, rad. grille-inner |347917-18 |
| 2. | 1.267 | BRACKET, rad. grille-outer |345485-86 |
| 3. | 8.921 | J-NUT, #10-16 | |
| 4. | 8.900 | SCREW, 1/4-20 x 13/16 | |
| 5. | 8.900 | SCREW, #10-16 x 3/4 | |
| 6. | 1.266 | GRILLE, radiator-outer |345487-88 |

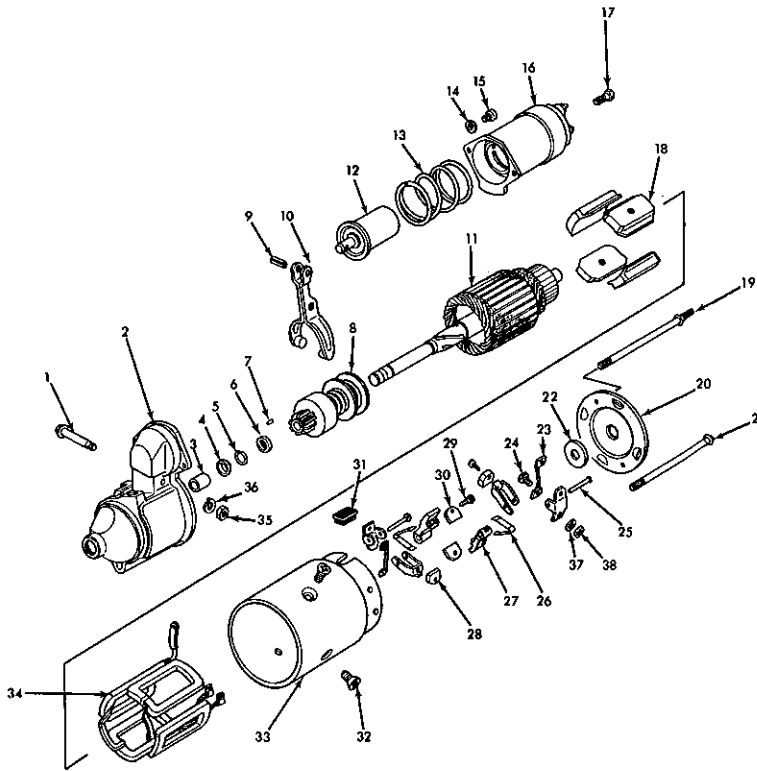


**GROUP 2.000
CHASSIS —
ELECTRICAL
SYSTEM**



2-1

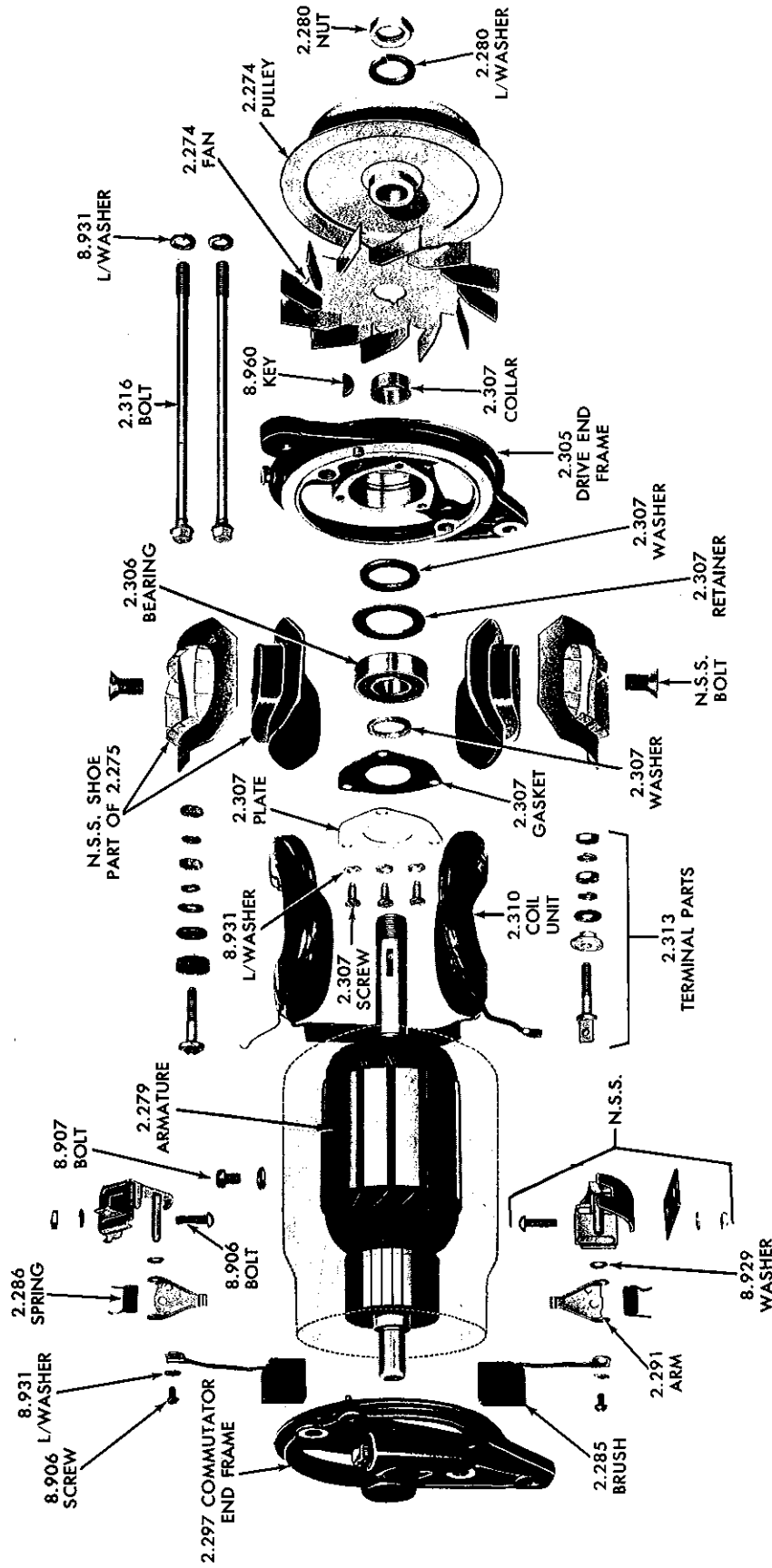
1953-1964 STARTING MOTOR-SOLENOID SWITCH



2-122

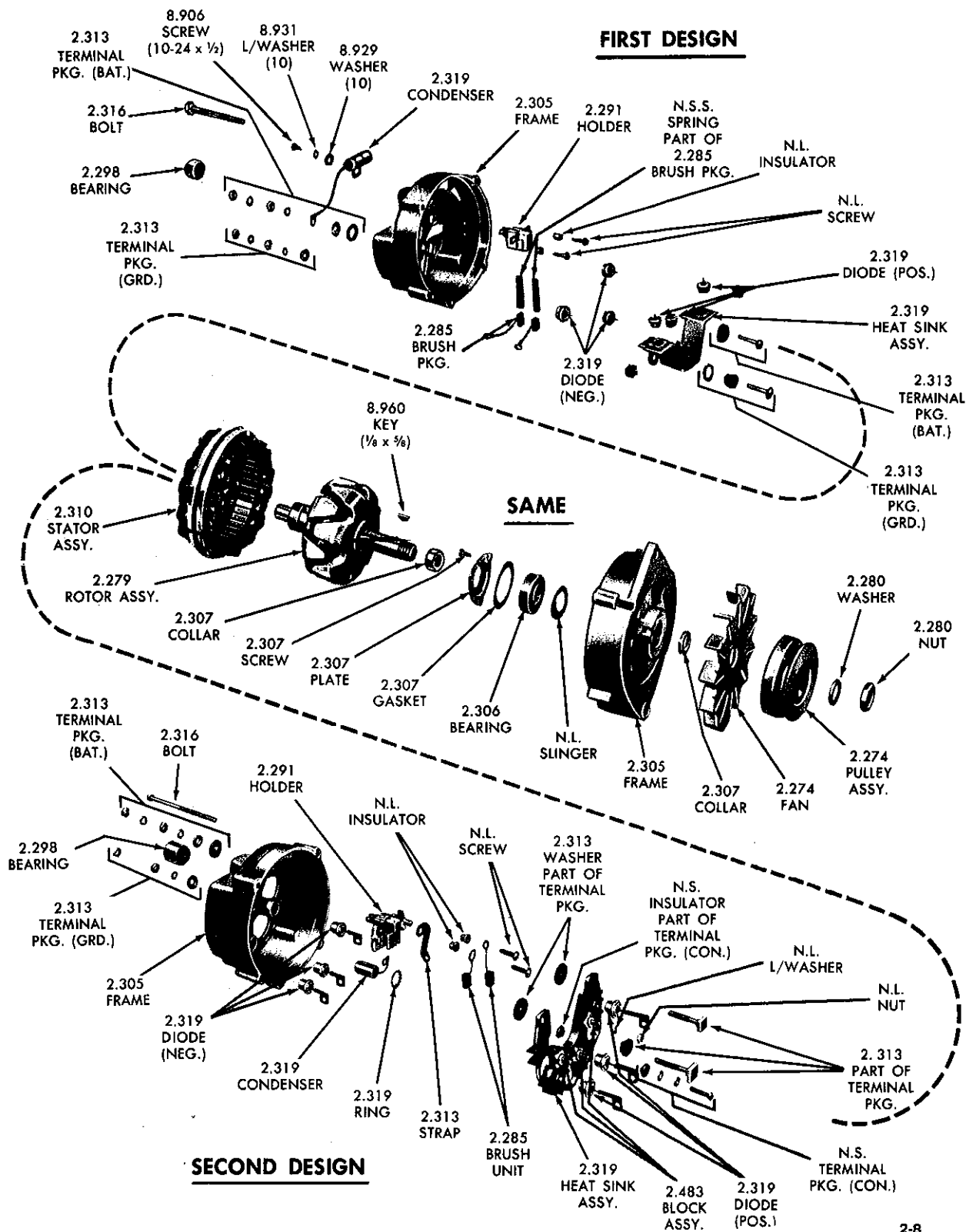
1965-1975 CORVETTE STARTING MOTOR

- | | | | |
|------------|--|------------|---|
| 1. 2.108 | STUD—lever (5/16—18 x 1-3/16 O.L.) | 19. 2.077 | BOLT (through 1/4—20 x 5-7/8 w/5/8 ext.) |
| 2. 2.085 | HOUSING | 20. 2.067 | FRAME—w/bushing (4-1/4 O.D.) |
| 3. 2.083 | BUSHING—drive end 15/32 I.D. x 33/64 O.D. x 23/32 long | 21. 2.077 | BOLT—through |
| 4. 2.063 | WASHER—drive end 15/32 I.D. x 11/16 O.D. x 7/64 thick | 22. 2.063 | WASHER—common end (9/16 I.D. x 1-5/16 O.D.) |
| 5. 2.063 | RING PINION STOP RETAINER (7/16 I.D.) | 23. 2.055 | LEAD—ground (2 terminals 2-3/8 long) |
| 6. 2.063 | COLLAR (15/32 I.D. x 11/16 O.D. x 3/16 wide) | 24. 8.907 | SCREW |
| 7. 2.108 | PIN | 25. 2.052 | PIN—support |
| 8. 2.086 | DRIVE ASSY.—w/bushing | 26. 2.053 | SPRING—hair pin type 1/2 wide |
| 9. 2.108 | PIN—hollow | 27. 2.052 | HOLDER—insulated |
| 10. 2.108 | LEVER (3-17/32 between end holes) | 28. 2.052 | HOLDER (ground) |
| 11. 2.043 | ARMATURE—starting motor | 29. 8.977 | SCREW (3/16—32 x 5/8) |
| 12. 2.113 | PLUNGER—w/link | 30. 2.051 | BRUSH (13/64 hole) |
| 13. 2.108 | SPRING—plunger | 31. 2.102 | GROMMET (field frame) |
| 14. 8.931 | WASHER—spring type 1/4 x 17/32 O.D. | 32. 2.077 | SCREW—shaft lever (3/8—24 x 11/16 O.L.) |
| 15. 8.977 | SCREW | 33. N.S.S. | FRAME |
| 16. 2.100 | STARTER—solenoid | 34. 2.049 | COIL ASSY (4 coils) |
| 17. 8.977 | SCREW—10—32 x 1/2 | 35. 8.916 | NUT |
| 18. N.S.S. | COIL—hot serviced separately | 36. 8.931 | WASHER—medium spring lock |
| | | 37. 8.927 | WASHER—medium spring lk. #10 |
| | | 38. 8.915 | NUT—hexagon (10—24) |



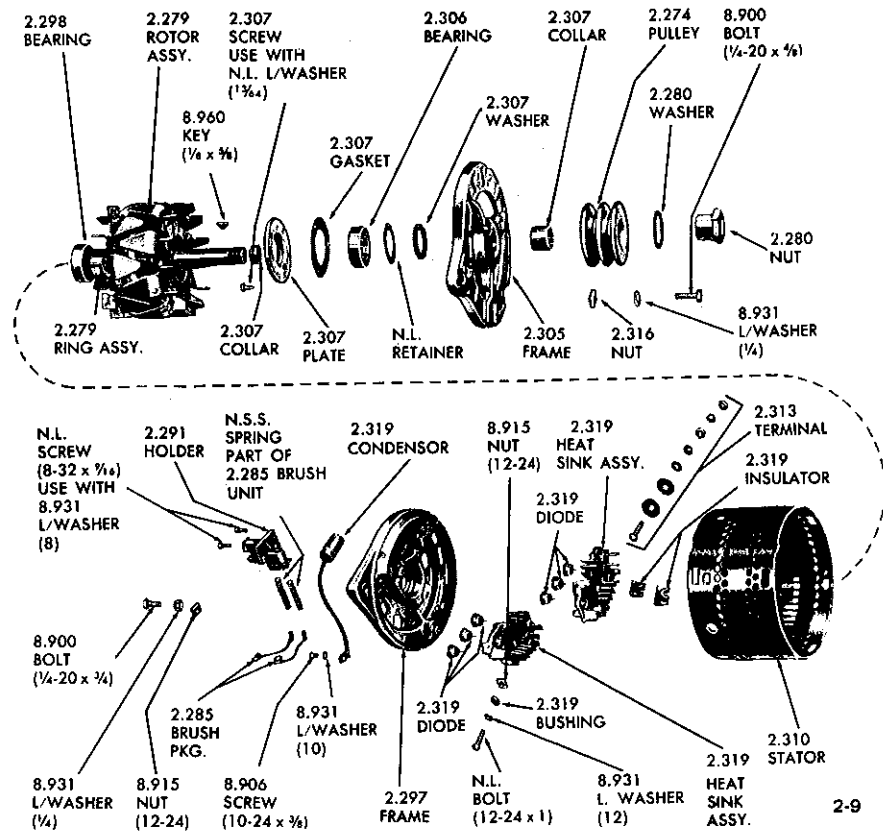
GENERATOR-12 VOLT

2-7

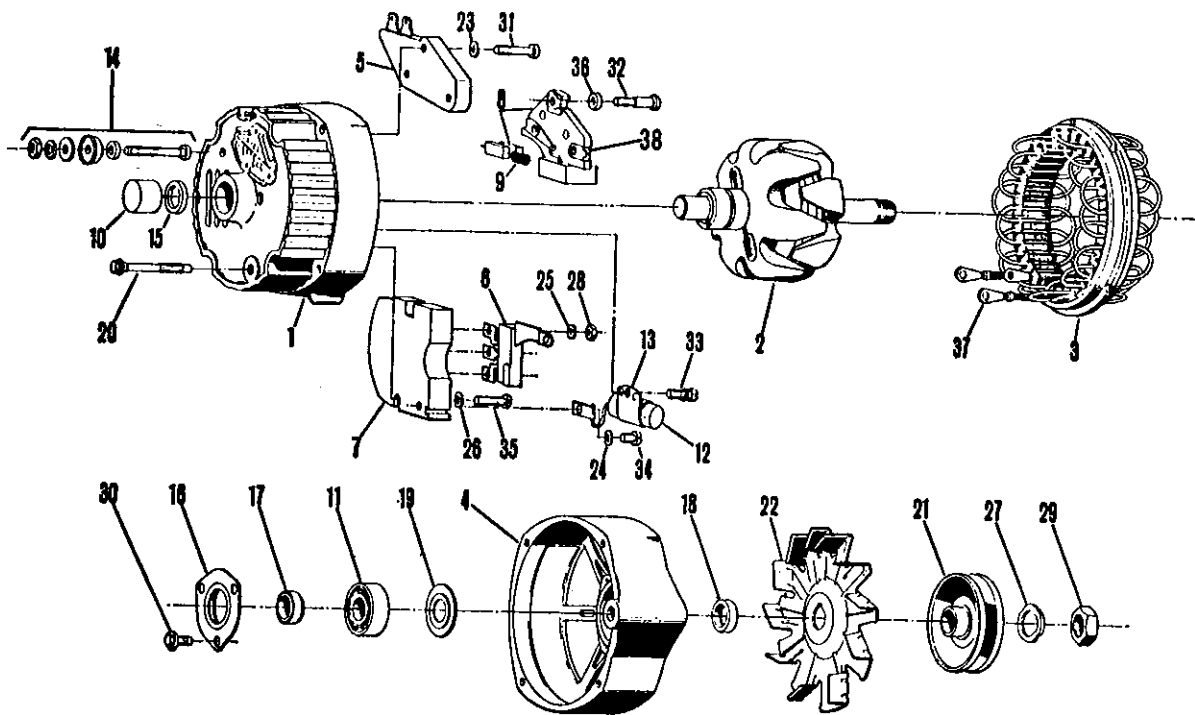


2-8

1962-68 (42-AMP.) A.C. GENERATOR—EXPLODED



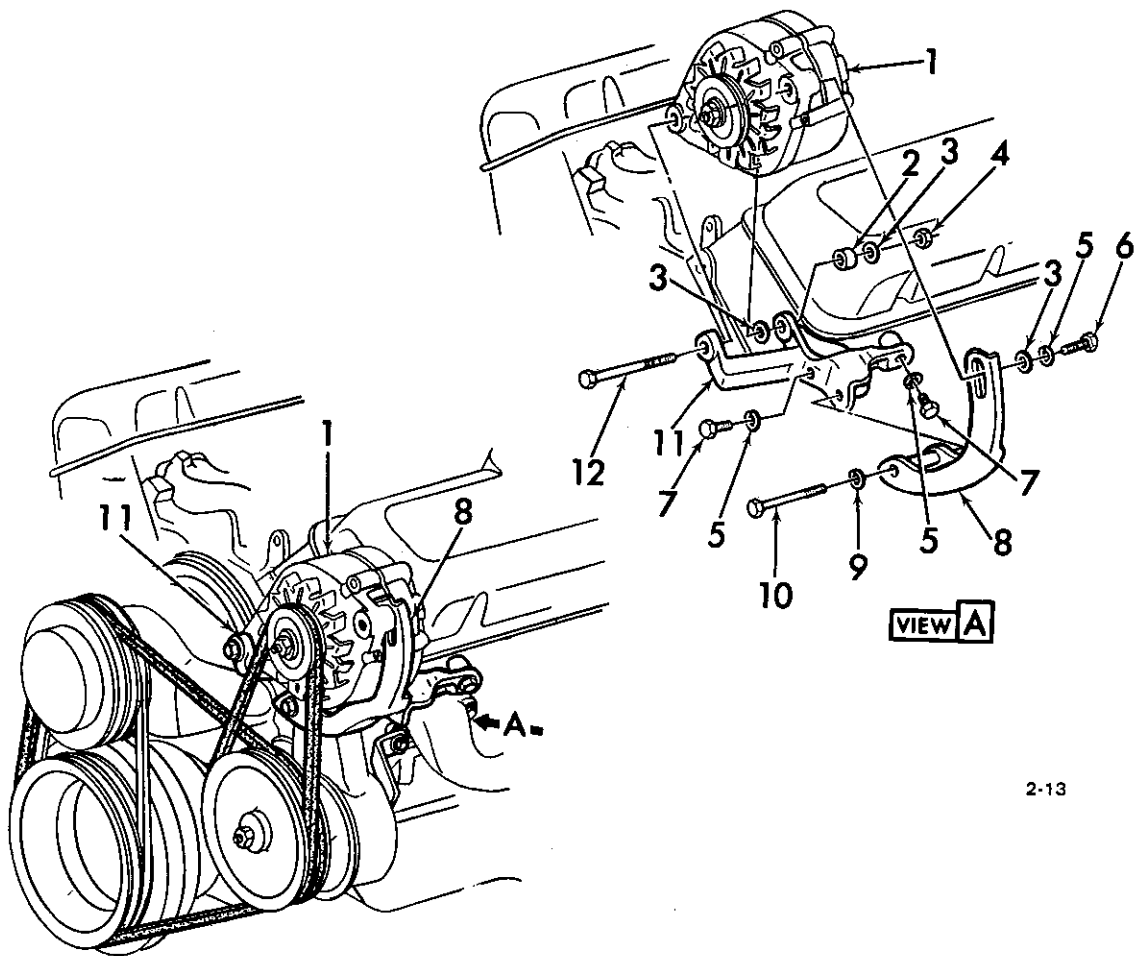
1962-68 (62-AMP.) A.C. GENERATOR—EXPLODED



2-10

1969-75 CORVETTE 42 AND 61 AMP. DELCOTRON

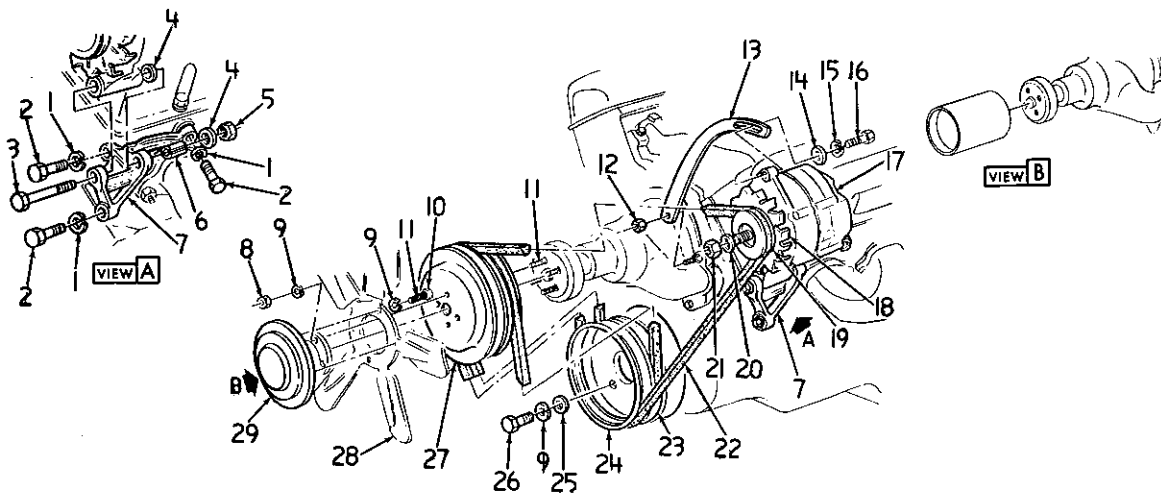
- | | | | | | |
|-----|-------|----------------|-----|-------|--------------------|
| 1. | 2.297 | FRAME | 21. | 2.274 | PULLEY |
| 2. | 2.279 | ROTOR | 22. | 2.274 | FAN |
| 3. | 2.310 | STATOR | 23. | 8.931 | WASHER |
| 4. | 2.305 | FRAME | 24. | 8.931 | WASHER |
| 5. | 2.500 | REGULATOR | 25. | 8.931 | WASHER |
| 6. | 2.319 | DIODE | 26. | 8.931 | WASHER |
| 7. | 2.319 | RECTIFIER | 27. | 2.280 | WASHER |
| 8. | 2.285 | BRUSH UNIT | 28. | 8.916 | NUT |
| 9. | N.S. | SPRING | 29. | 2.280 | NUT |
| 10. | 2.298 | BEARING | 30. | 2.307 | SCREW |
| 11. | 2.306 | BEARING | 30. | 8.977 | SCREW |
| 12. | 2.319 | CAPACITOR | 31. | 2.291 | SCREW |
| 13. | 2.393 | BRACKET | 32. | 2.291 | SCREW |
| 14. | 2.313 | TERM. PKG. | 33. | 8.907 | SCREW |
| 15. | 2.298 | SEAL | 34. | 8.977 | SCREW (8.32 x 1/2) |
| 16. | 2.307 | BEAR. RETAINER | 35. | 8.913 | SCREW |
| 17. | 2.307 | COLLAR | 36. | 2.291 | WASHER |
| 18. | 2.307 | COLLAR | 37. | N.S. | CLIP |
| 19. | 2.307 | SLINGER | 38. | 2.285 | BRUSH ASSY. |
| 20. | 2.316 | BOLT | | | |



2-13

1970 CORVETTE GENERATOR MOUNTING W/POWER STEERING (454 ENG.)

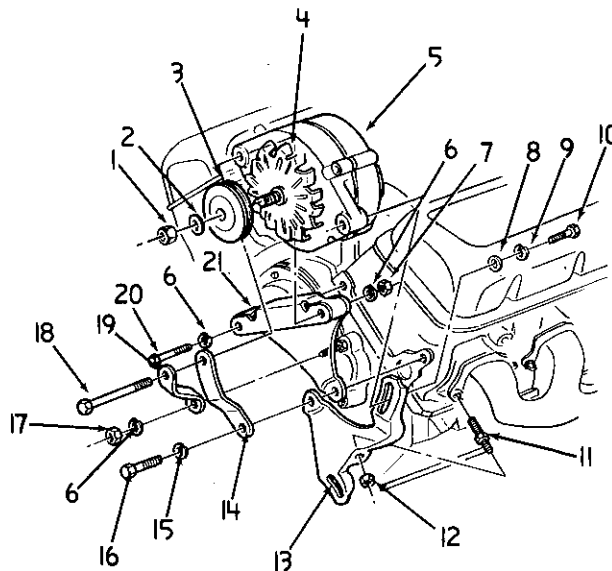
- | | | | | | |
|----|-------|---------------------|-----|-------|-----------------|
| 1. | 2.275 | GENERATOR ASSY. | 7. | 8.900 | BOLT |
| 2. | 2.277 | SPACER | 8. | 2.277 | BRACE |
| 3. | 8.929 | WASHER | 9. | 8.931 | L/WASHER (7/16) |
| 4. | 8.917 | NUT (3/8-16) | 10. | 8.900 | BOLT |
| 5. | 8.931 | L/WASHER (3/8) | 11. | 2.277 | BRACKET |
| 6. | 8.900 | BOLT (3/8-16 x 7/8) | 12. | 6.606 | BOLT |



2-24

1971-74 CORVETTE 454 H/PER. GENERATOR MOUNTING

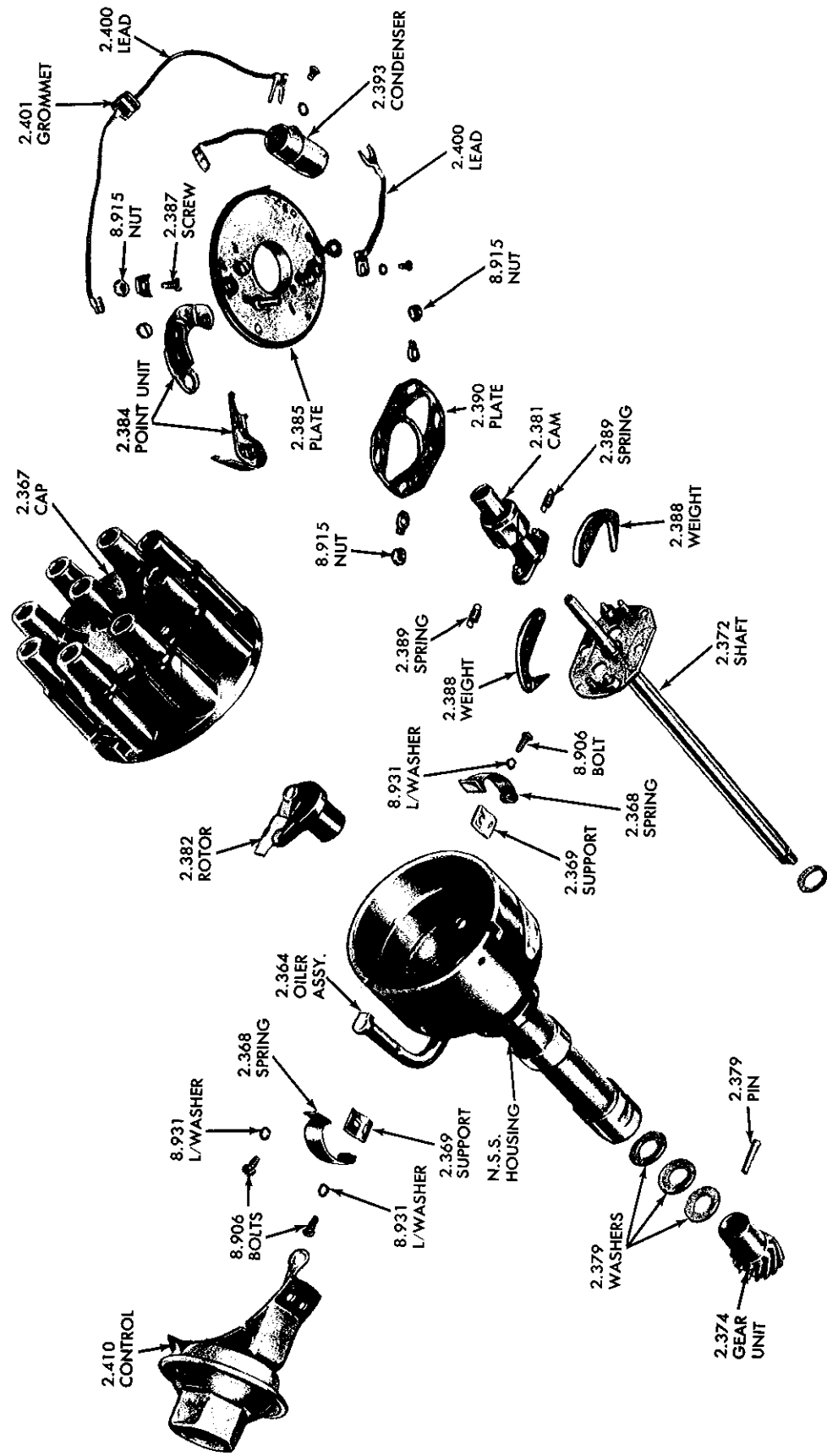
- | | |
|----------------------------|------------------------------|
| 1. 8.931 WASHER (3/8) | 16. 8.900 BOLT (5/16-18 x 1) |
| 2. 8.900 BOLT (3/8-16 x 1) | 17. 2.275 GENERATOR |
| 3. 8.900 BOLT | 18. 2.274 FAN |
| 4. 8.929 WASHER | 19. 2.274 PULLEY |
| 5. 8.917 NUT (3/8-16) | 20. 8.931 WASHER (3/8) |
| 6. 2.277 SPACER | 21. 8.900 BOLT (3/8-16 x 2) |
| 7. 2.277 BRACKET | 22. 1.066 BELT |
| 8. 8.915 NUT (5/16-18) | 23. 1.066 BELT |
| 9. 8.931 WASHER (1/4) | 24. 0.659 PULLEY |
| 10. 8.917 NUT (5/16-24) | 25. 8.931 WASHER |
| 11. 1.064 STUD | 26. 8.900 BOLT |
| 12. 8.915 NUT (3/8-16) | 27. 1.062 PULLEY ASSY. |
| 13. 2.317 BRACE | 28. 1.064 BLADE ASSY. |
| 14. 8.929 WASHER (23/64) | 29. 1.050 CLUTCH ASSY. |
| 15. 8.931 WASHER (5/16) | |



2-25

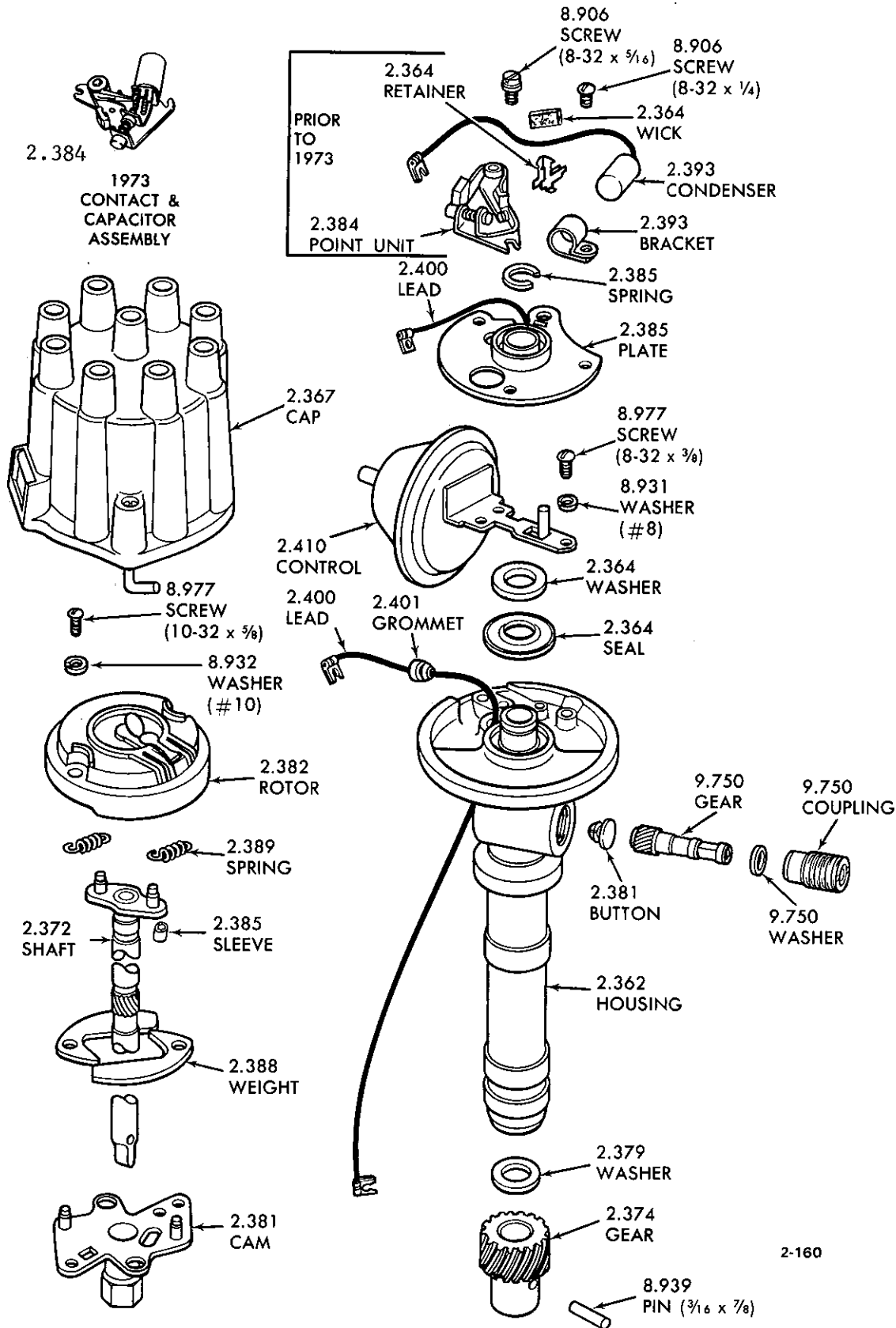
1971-74 CORVETTE GENERATOR MOUNTING w/P/S (454)

- | | |
|------------------------------|---------------------------------|
| 1. 8.915 NUT (5/16-18) | 12. 8.916 NUT |
| 2. 8.931 WASHER (5/16) | 13. 6.606 BRACE |
| 3. 2.274 PULLEY-Gen. | 14. 2.277 SUPPORT-Lwr. |
| 4. 2.274 FAN | 15. 8.931 WASHER (5/16) |
| 5. 2.275 GENERATOR ASSY. | 16. 8.900 BOLT (3/8-16 x 1 1/4) |
| 6. 8.921 WASHER (3/8) | 17. 8.915 NUT (3/8-16) |
| 7. 8.917 NUT (5/16-24) | 18. 8.900 BOLT (3/8 x 4 1/2) |
| 8. 8.929 WASHER (23/64) | 19. 2.277 SUPPORT-Upr. |
| 9. 8.931 WASHER (5/16) | 20. 8.900 BOLT (3/8-16 x 2 3/8) |
| 10. 8.900 BOLT (5/16-18 x 1) | 21. 2.277 BRACKET |
| 11. 3.275 STUD | |

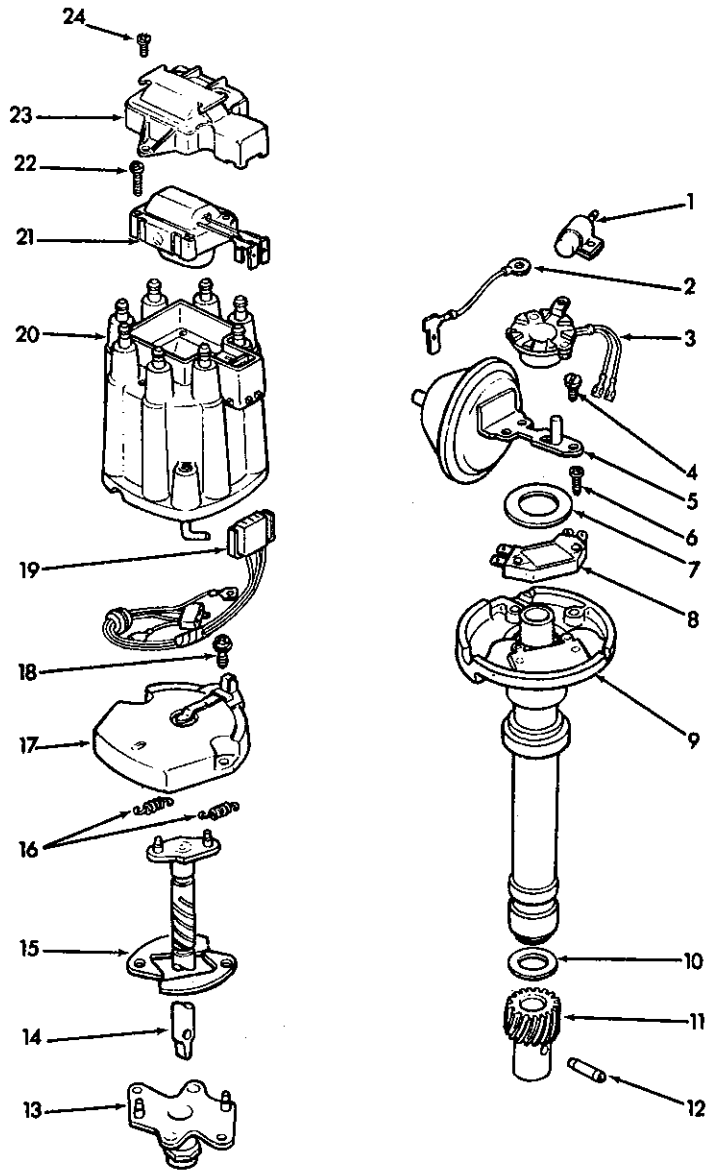


1955-56 EIGHT CYLINDER IGNITION DISTRIBUTOR

2-29



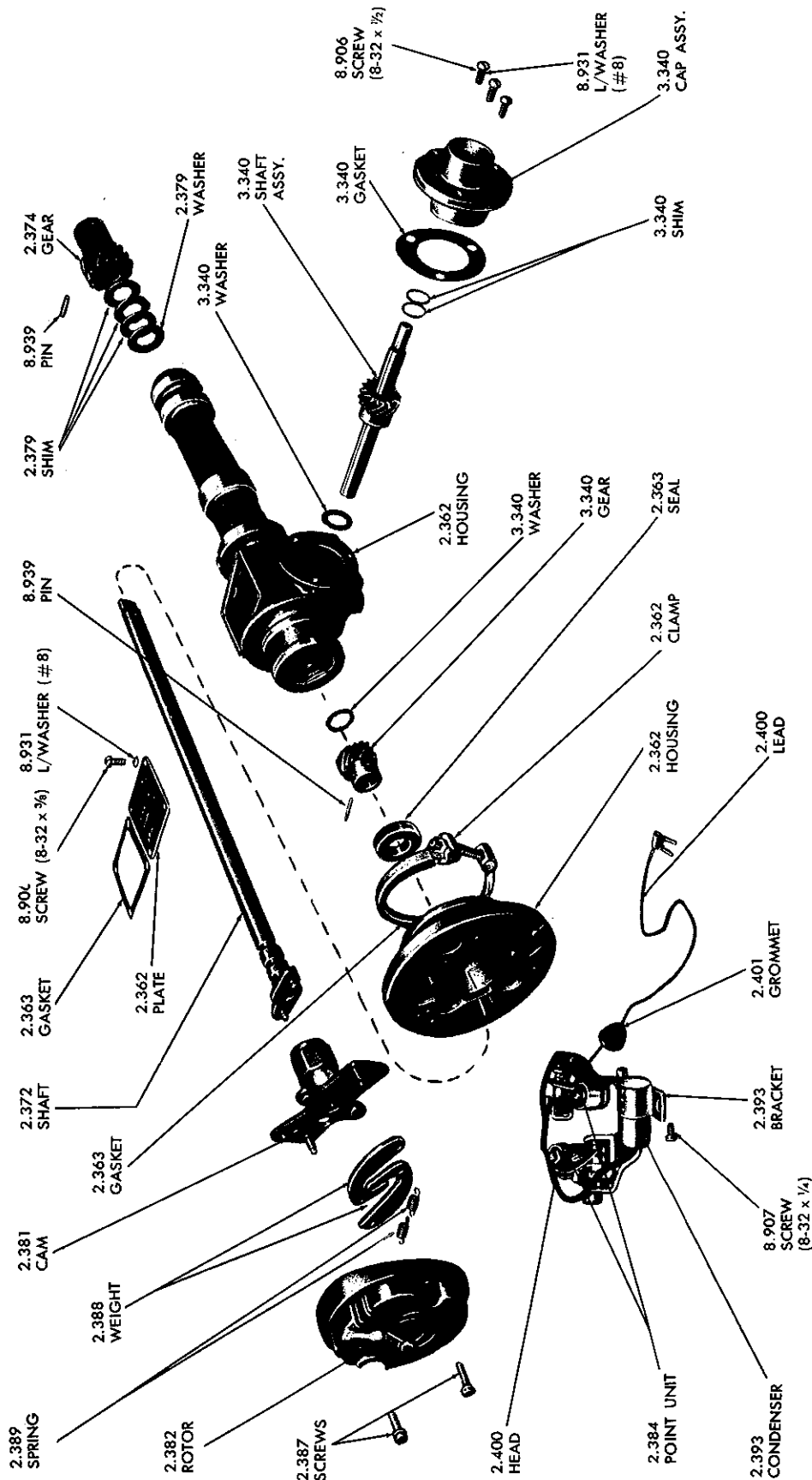
1957-74 EIGHT CYLINDER IGNITION DISTRIBUTOR



2-22

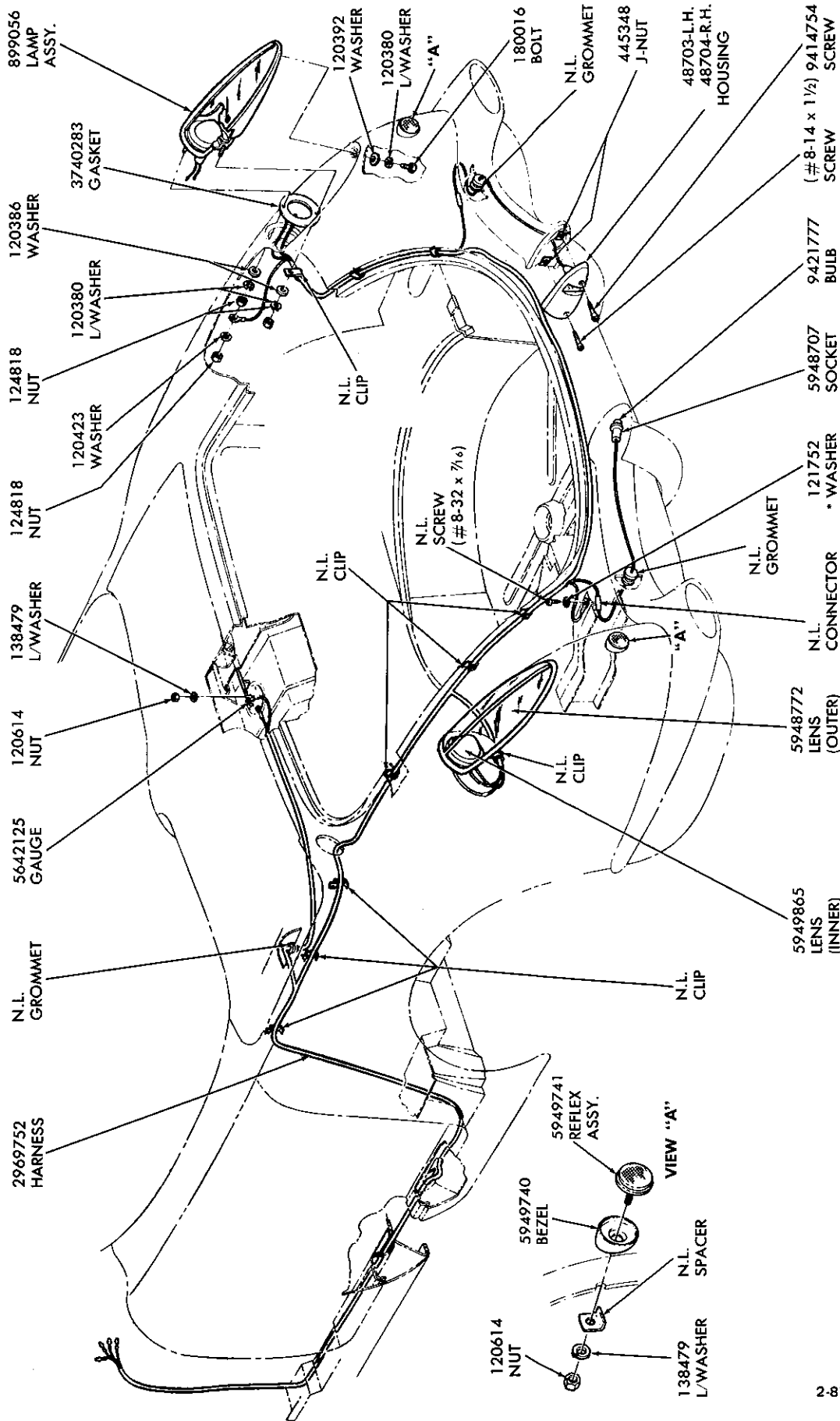
1974-75 DISTRIBUTOR H.E.I.

- | | | | | | |
|-----|-------|---|-----|-------|-----------------------------------|
| 1. | 2.393 | CAPACITOR, distributor | 11. | 2.374 | GEAR |
| 2. | 2.400 | LEAD ASSY., distributor terminal/ grd. | 12. | 8.939 | PIN |
| 3. | 2.372 | POLE PIECE, w/plate | 13. | 2.381 | CAM, w/weight plate |
| 4. | 2.393 | SCREW | 14. | 2.372 | SHAFT |
| 5. | 2.410 | CONTROL ASSY., distributor vacuum | 15. | 2.388 | WEIGHT, distributor |
| 6. | 2.383 | SCREW | 16. | 2.389 | SPRING, distributor weight |
| 7. | 2.364 | SHIELD, distributor housing splash | 17. | 2.382 | ROTOR ASSY., distributor |
| 8. | 2.383 | MODULE, distributor | 18. | 2.383 | SCREW, distributor module attach. |
| 9. | 2.362 | HOUSING ASSY., distributor | 19. | 2.383 | HARNESS, module to coil |
| 10. | 8.929 | WASHER | 20. | 2.367 | CAP, distributor |
| | | | 21. | 2.170 | COIL, ignition |
| | | | 22. | 2.183 | SCREW, ignition coil attach. |
| | | | 23. | 2.368 | COVER, distributor cap |



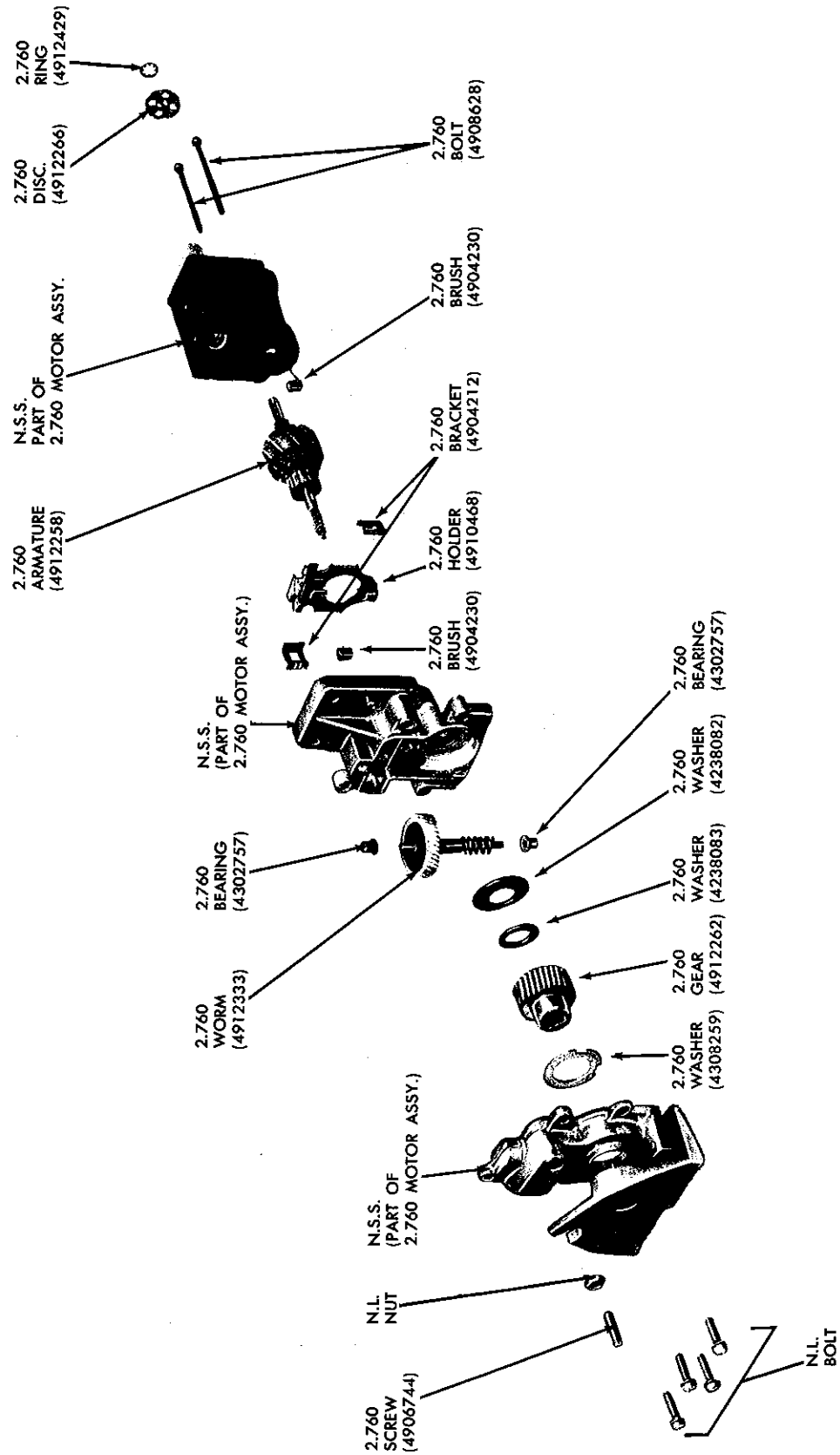
2-32

1957-62 FUEL INJECTION IGNITION DISTRIBUTOR

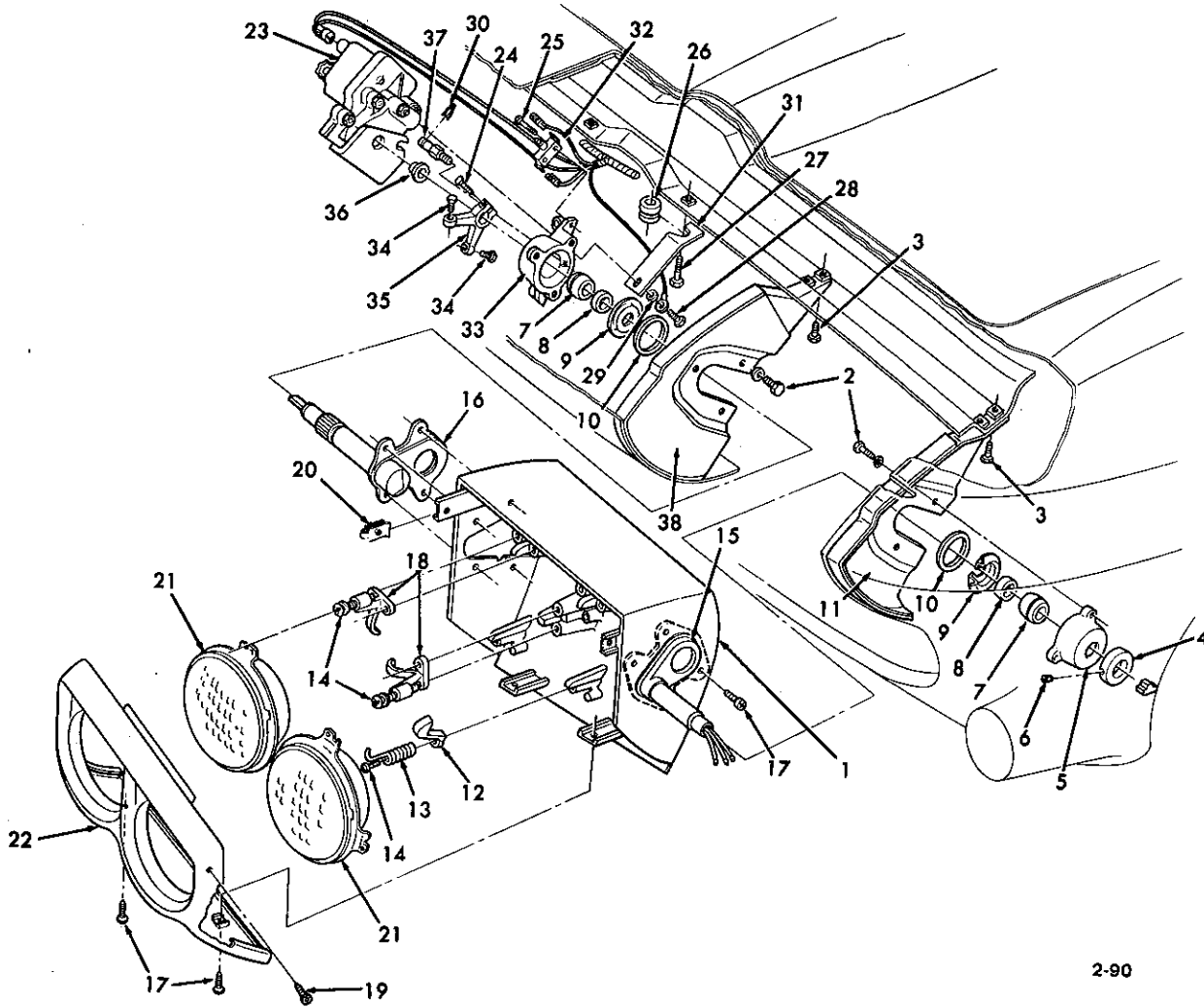


*Removed From Service

1958-60 CORVETTE REAR LAMP DETAILS



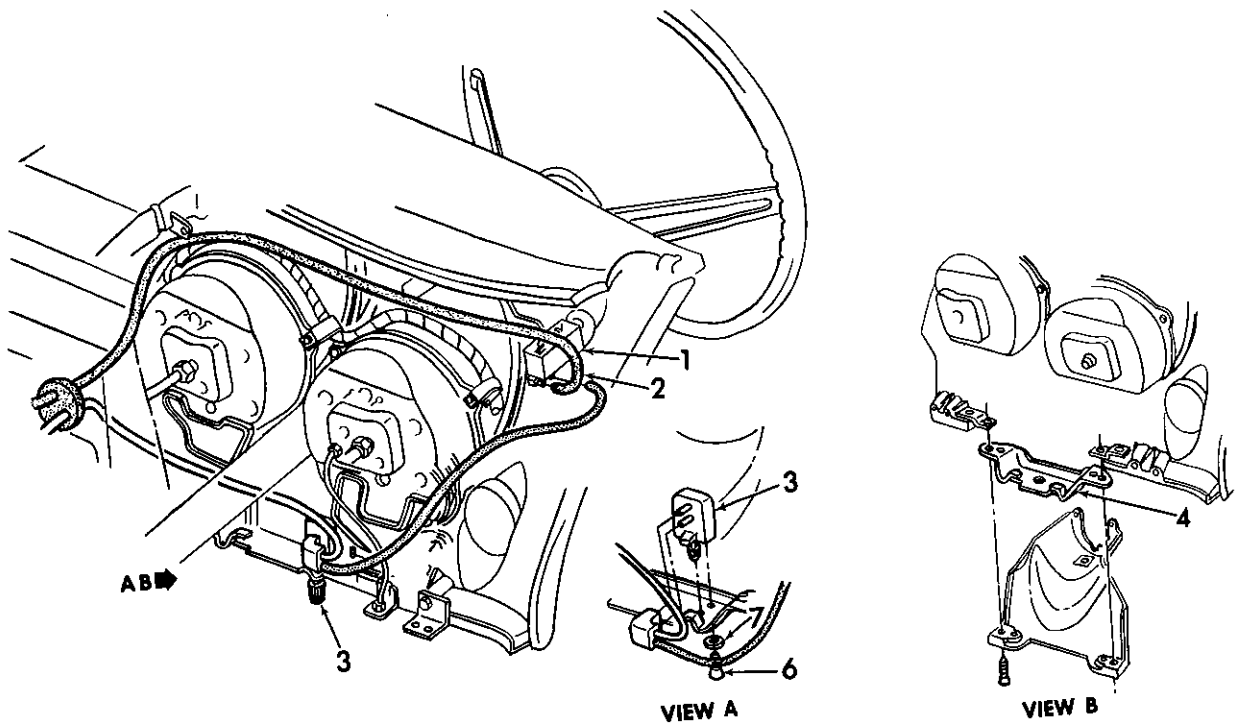
1963-67 CORVETTE HEADLAMP MOTOR--EXPLODED



2-90

1964-67 CORVETTE HEADLAMP—EXPLODED

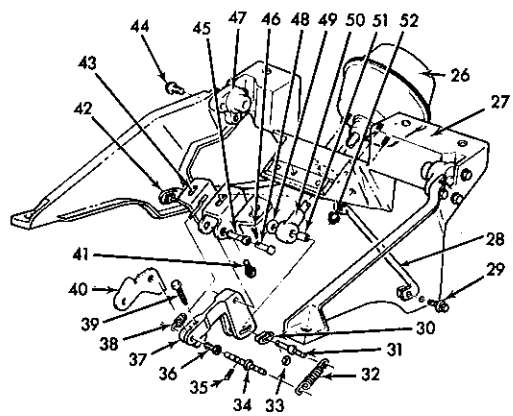
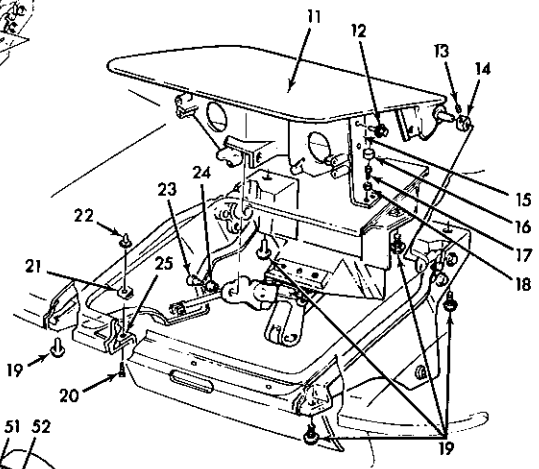
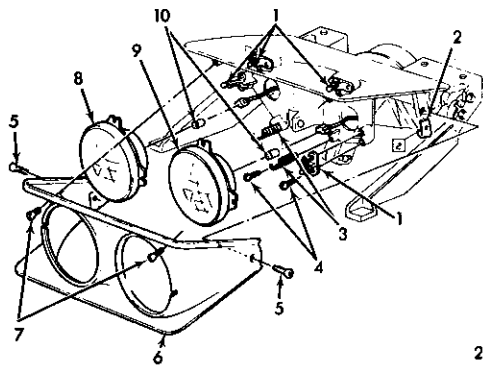
- | | |
|---|-----------------------------------|
| 1. 2.770 HOUSING—Headlamp | 20. 8.921 J NUT (#8-18) (Type B) |
| 2. 8.900 SCREW (5/16-18 x 3/4) | 21. N.S. LAMP ASSY. |
| 3. 8.900 SCREW (1/4-20 x 5/8) | 22. 2.728 BEZEL ASSY. |
| 8.931 WASHER (1/4) | 23. 2.760 MOTOR ASSY. |
| 4. 2.770 SPACER | 24. 8.900 BOLT (5/16-18 x 1) |
| 5. 2.765 SUPPORT | 25. 8.977 SCREW (#6-32 x 1) |
| 6. 8.975 SCREW—Set (1/4-20 x 1/2) | 26. 10.152 SPACER & GROMMET ASSY. |
| 7. 2.765 BEARING ASSY. | 27. 8.900 SCREW (#10-24 x 1) |
| 8. 2.775 SEAL—Felt | 28. 8.900 SCREW (#10-24 x 3/8) |
| 9. 2.775 RETAINER | 29. 8.932 WASHER (#10) |
| 10. 2.765 WASHER | 30. 8.934 RETAINER—Spring (5/16) |
| 11. 2.770 END ASSY.—Outer | 31. 2.760 RETAINER |
| 12. 2.770 INSULATOR | 32. 2.755 SWITCH ASSY. |
| 13. 2.737 SPRING—Headlamp Adjusting | 33. 2.755 SUPPORT—Inner |
| 14. 8.977 SCREW (#8-32 x 1/2) (Type CL) | 34. 2.775 SCREW |
| 15. 2.765 PIVOT ASSY.—Outer | 35. 2.775 STOP |
| 16. 2.765 PIVOT ASSY.—Inner | 36. 4.626 BUSHING |
| 17. 8.977 SCREW (#32 x 1/2) (Type C) | 37. 2.765 STUD |
| 18. N.S. BRACKET ASSY. | 38. 2.770 END ASSY. |
| 19. 8.977 SCREW (#8-18 x 1/2) Type BA) | |



2-247

1973-74 CORVETTE HEADLAMP VAC. HOSE INST. PANEL

- | | |
|---|----------------------------|
| 1. 2.485 SWITCH—Lighting | 5. 8.977 SCREW— |
| 2. 8.962 HOSE | 6. 8.977 SCREW—#6-20 x 1/2 |
| 3. 2.760 VALVE ASSY.—Headlamp Actuator | 7. 8.931 WASHER |
| 4. 2.755 BRACKET—Headlamp and WSN Acc. Door Switch | |

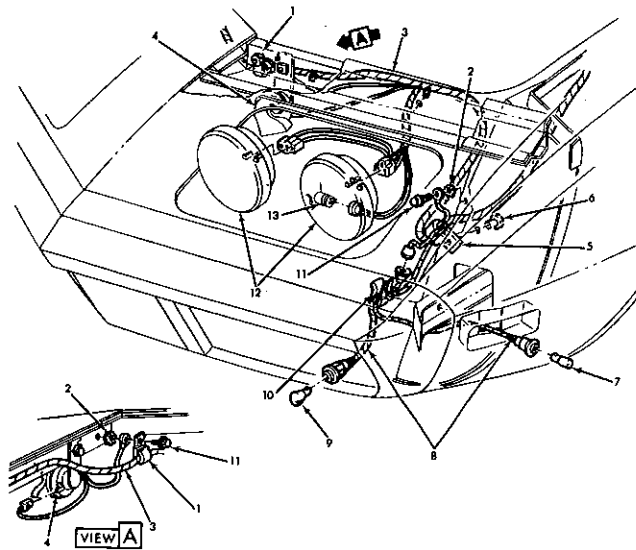


2-91

1968-75 CORVETTE HEADLAMP DETAILS

| | | | | | | | |
|-----|-------|----------------------|------------|-----|-------|------------------------|------------|
| 1. | 2.737 | BRACKET | 5959752 | 24. | 2.765 | BUSHING | 3927674 |
| 2. | 8.921 | J NUT (#8-18) | | | 2.765 | BUSHING | 3915898 |
| 3. | 2.721 | SPRING | 5949989 | 25. | 2.726 | SHIELD | 3966569-60 |
| 4. | 8.977 | SCREW (#8-32 x 1/2) | | 26. | 2.760 | ACTUATOR ASSY. | 5638541-42 |
| 5. | 8.977 | SCREW (#8-18 x 3/4) | | 27. | 2.765 | SUPPORT | 3915681-82 |
| 6. | 2.728 | BEZEL (1968-70) | 3957045-46 | 28. | 2.765 | ROD ASSY. | 3926353-54 |
| | 2.728 | BEZEL (1971-72) | 3911143-44 | 29. | 8.900 | BOLT (5/16-18 x 13/16) | |
| 7. | 8.977 | SCREW | | 30. | 2.765 | INSERT | 3922497 |
| 8. | 2.731 | RING | 5954892 | 31. | 2.765 | PIN | 3927672 |
| | 2.727 | SEALED BEAM | 5956001 | 32. | 2.765 | SPRING | 3926434 |
| | 2.726 | RING, L.H. | 5956629 | 33. | 8.934 | RETAINER (3/8) | |
| | 2.726 | RING, R.H. | 5955498 | 34. | 2.765 | PIN | 3926433 |
| 9. | 2.731 | RING | 5954892 | 35. | 8.938 | COTTER PIN (3/32 x 1) | |
| | 2.727 | SEALED BEAM | 5956002 | 36. | 2.765 | BUSHING | 3927674 |
| | 2.726 | RING, L.H. | 5955500 | 37. | 2.765 | LINK | 3953041 |
| | 2.726 | RING, R.H. | 5959123 | 38. | 2.760 | SPRING | 3935516 |
| 10. | 2.584 | SEAL | 3906125 | 39. | 2.765 | SCREW | 3918509 |
| 11. | 2.770 | HOUSING ASSY. | 3938115-16 | 40. | 2.765 | LINK | 3953034 |
| 12. | 8.900 | BOLT (1/4-20 x 5/8) | | 41. | 8.900 | BOLT (5/16-18 x 5/8) | |
| 13. | 8.975 | SCREW | | 42. | 2.765 | ROD ASSY. | 3926351-52 |
| 14. | 2.765 | STOP | 3926235 | 43. | 2.765 | BRACKET | 3922499 |
| 15. | 2.775 | STOP | 3958749 | 44. | 8.900 | BOLT (5/16-18 x 5/8) | |
| 16. | 8.024 | BUMPER | 3792828 | 45. | 2.765 | BUSHING | 3927674 |
| 17. | 8.024 | SCREW | 3749651 | 46. | 8.938 | COTTER PIN (3/32 x 1) | |
| 18. | 8.916 | NUT (1/4-20) | | 47. | 2.765 | BEARING ASSY. | 3915679 |
| 19. | 8.900 | BOLT (5/16-18 x 5/8) | | 48. | 2.765 | PIN | 3927676 |
| 20. | 8.900 | BOLT (#8-18 x 5/8) | | 49. | * | WASHER | |
| 21. | 8.921 | NUT (#8-18) | | 50. | 2.765 | ROD | 3958887 |
| 22. | * | PLUG | | 51. | 2.765 | SLEEVE | 3922498 |
| 23. | 2.765 | SCREW | 3915899 | 52. | 8.917 | NUT (5/16-18) | |

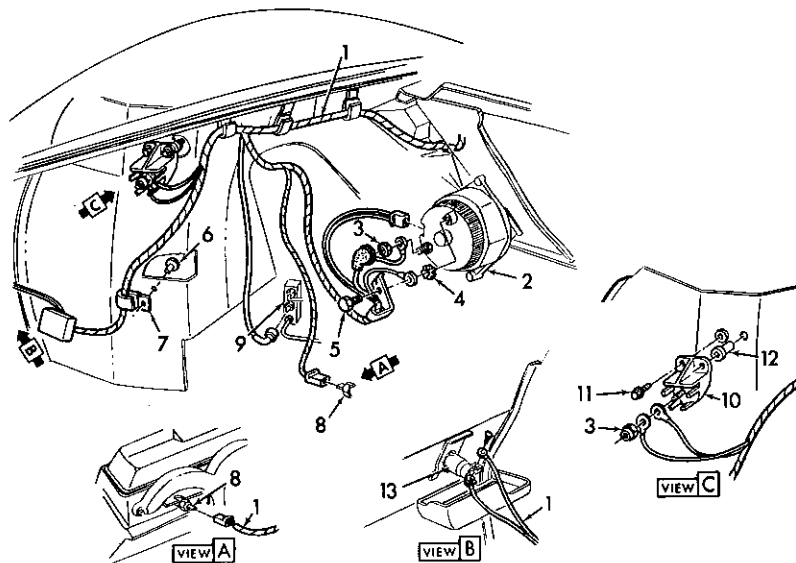
*NOTE: Removed From Service



2-2

1974-75 CORVETTE—FORWARD LAMP WIRING L.H.

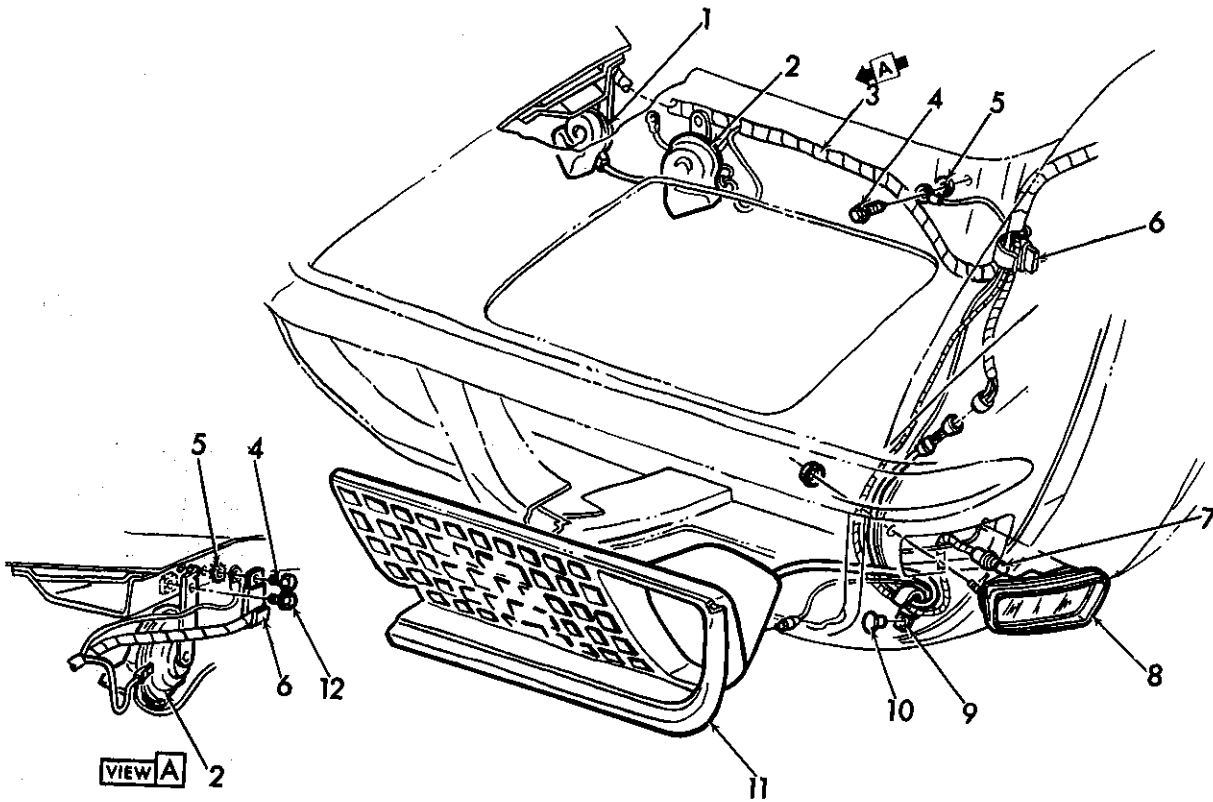
- | | |
|--|--|
| 1. 8.950 CLIP, htr. & a/c wire harness (11/16 x 1/4) | 8. 2.585 WIRE ASSY., parking, marker lamp |
| 2. 8.932 WASHER, lock (1/4) | 9. 8.991 BULB, park. lamp |
| 3. 2.480 HARNESS ASSY., forward lamp | 10. 2.559 RETAINER, adjustable (plastic push-in) (for 2" dia. cables) |
| 4. 2.810 HORN ASSY. | 11. 8.977 SCREW (1/4-14 x 1/2) |
| 5. 2.559 CLIP, chassis wiring harness | 12. 2.725 HEADLAMP ASSY., complete w/seal beam |
| 6. 8.967 RIVET | 13. 2.755 SWITCH ASSY., concealed headlamp door open warning |
| 7. 8.991 BULB, marker lamp | |



2-258

1974-75 CORVETTE FORWARD LAMP WIRING

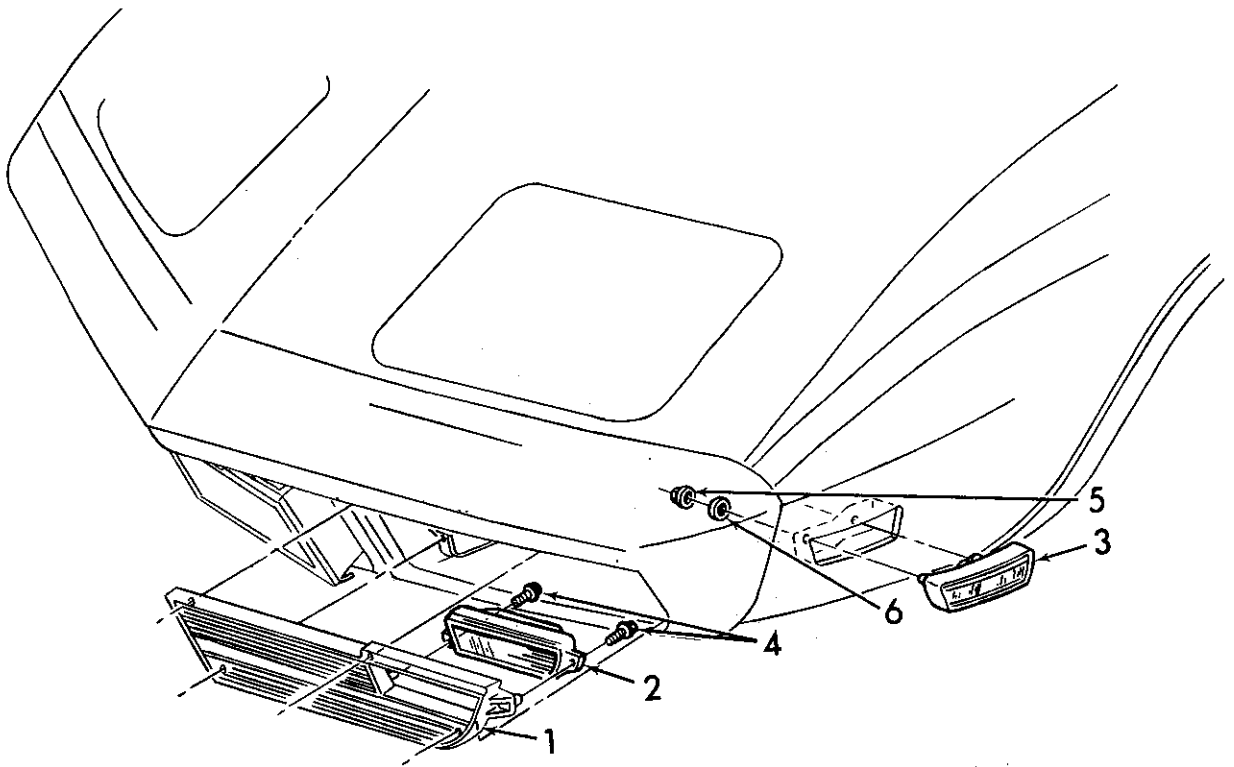
- | | |
|---------------------------------|--------------------------------|
| 1. 2.525 HARNESS—forward lamp | 8. 1.150 SWITCH—temperature |
| 2. 2.275 GENERATOR ASSY. | 9. 4.874 SWITCH—brake |
| 3. 8.915 NUT—hex. lock (#12-24) | 10. 2.342 JUNCTION BLOCK ASSY. |
| 4. 8.931 WASHER | 11. 2.500 SCREW |
| 5. 2.313 BOLT | 12. 8.924 NUT—barrel |
| 6. 8.967 RIVET | 13. 2.195 SWITCH—anti-theft |
| 7. 2.559 CLIP—harness | |



2-92

1970-72 CORVETTE PARKING AND SIDE MARKER LAMPS

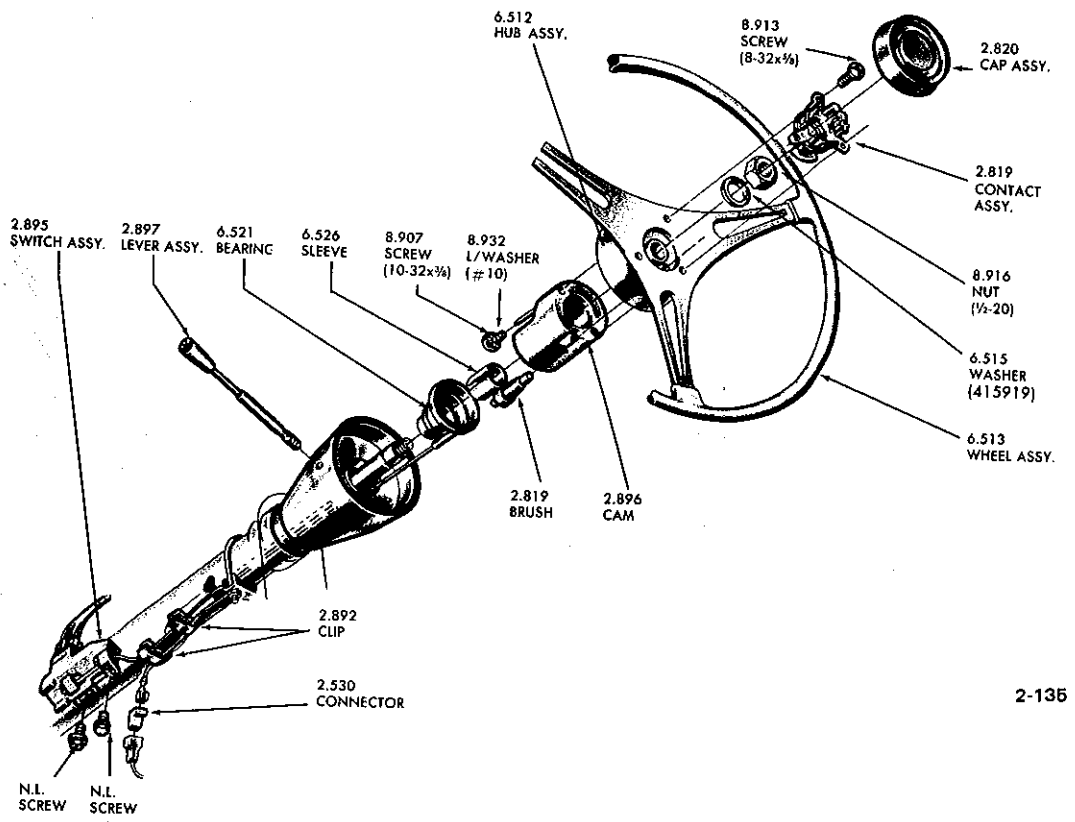
| | | | | | | | |
|----|-------|------------------------|------------|-----|-------|-----------------------------|------------|
| 1. | 2.810 | HORN ASSY.—Low Note | 9000239 | 9. | 2.559 | CLIP | |
| 2. | 2.810 | HORN ASSY.—High Note | 9000514 | 10. | 8.967 | RIVET | |
| 3. | 2.480 | HARNASS ASSY. | 8901918 | 11. | 2.586 | HOUSING ASSY. | 5964683-84 |
| 4. | 8.977 | SCREW (1/4—14 x 5/8) | | | 2.590 | GASKET | 5962941-42 |
| 5. | 8.932 | L/WASHER (1/4) | | | 2.589 | LENS ASSY. (1970-71) | 5962943-44 |
| 6. | 3.887 | CLIP | 3901794 | | 2.589 | LENS ASSY. (1972) | 5965071-72 |
| 7. | 8.991 | BULB (#194) | | 12. | 8.900 | SCREW ASSY. (5/16—18 x 1/2) | |
| 8. | 2.575 | LAMP ASSY.—Side Marker | 3973639-40 | | | | |



2-243

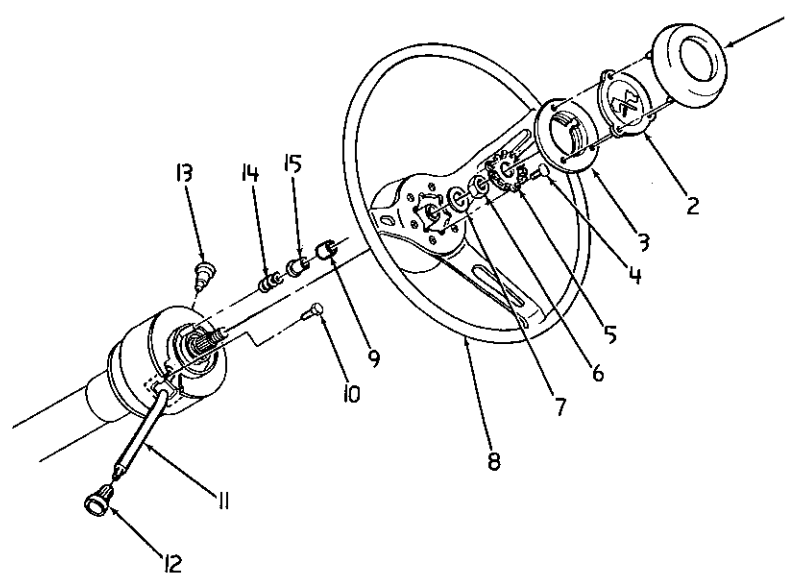
1973-75 CORVETTE PARKING AND SIDE MARKER LAMPS

- | | | | |
|----------|--------------------|----------|-------------|
| 1. 1.286 | GRILLE-(Outer) | 4. 8.977 | SCREW ASSY. |
| 2. 2.585 | LAMP ASSY.—Parking | 5. 8.900 | NUT |
| 3. 2.575 | LAMP ASSY.—Marker | 6. 8.931 | WASHER |



2-135

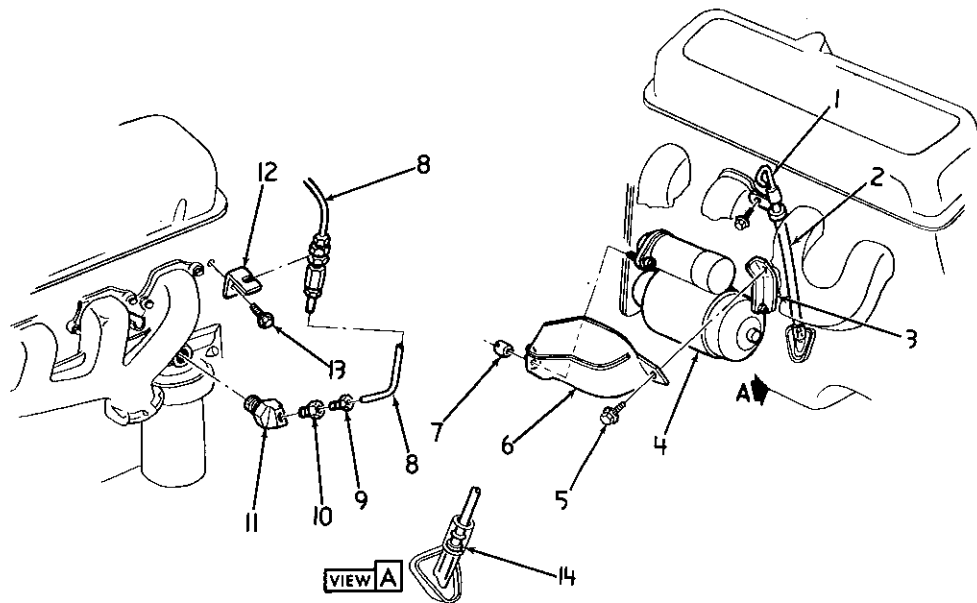
1963-67 CORVETTE DIRECTIONAL SIGNAL DETAILS



2-26

1968-75 CORVETTE HORN

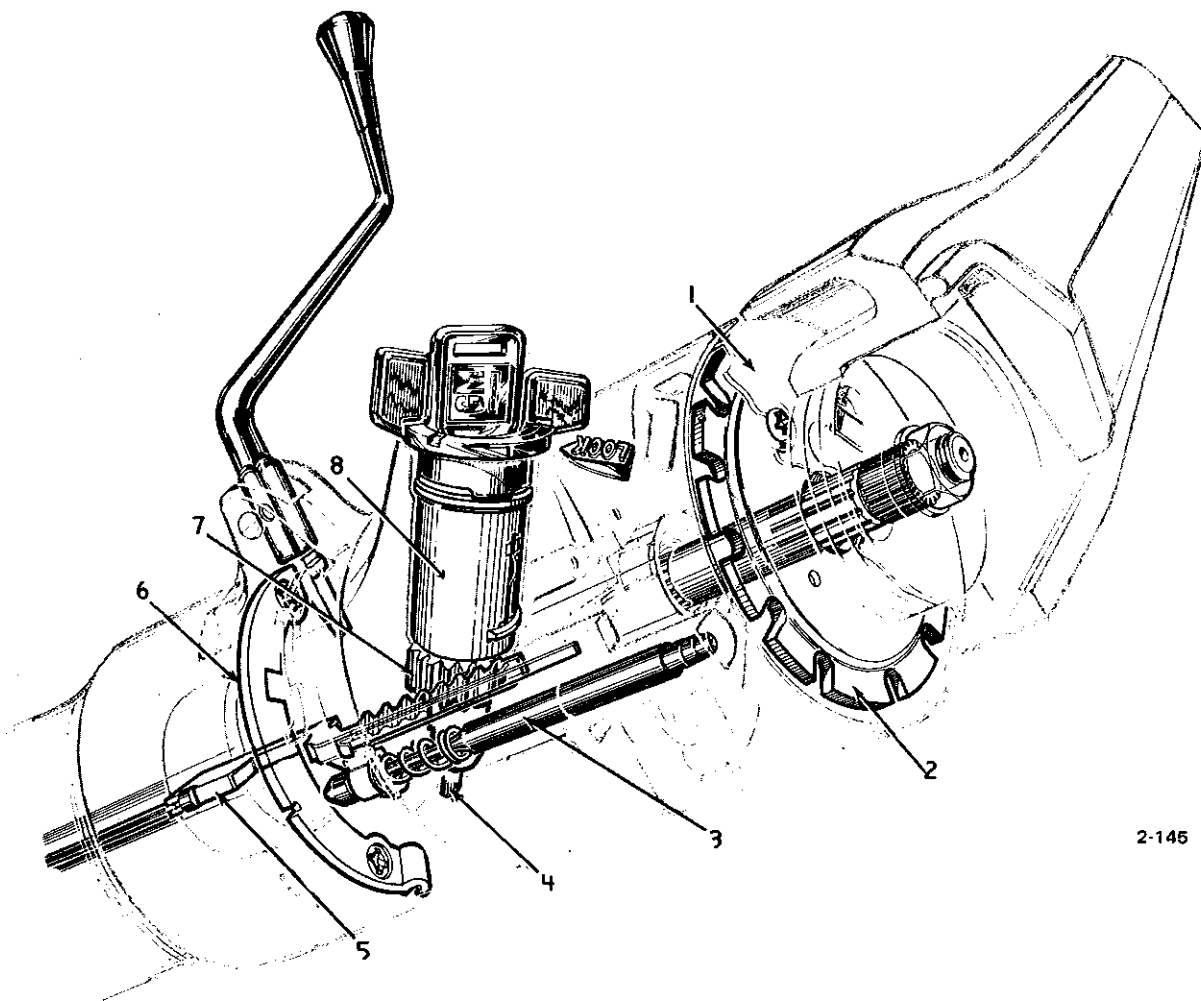
- | | |
|-----------------------------|------------------------------|
| 1. 2.820 CAP ASSY. | 9. 2.819 INSULATOR (1971) |
| 2. N.S. EMBLEM | 2.819 INSULATOR |
| 3. N.S. RETAINER | 10. 8.977 SCREW (8-32 x 5/8) |
| 4. 8.913 SCREW (8-32 x 5/8) | 11. 2.897 LEVER |
| 5. 2.819 CONTACT ASSY. | 12. N.S. KNOB |
| 6. 8.916 NUT | 13. 2.575 KNOB ASSY. |
| 7. 6.515 WASHER | 14. N.S. SPRING |
| 8. 6.513 WHEEL ASSY. | 15. 2.819 UNIT |



2-27

1971-72 CORVETTE "454" SOLENOID SHIELD

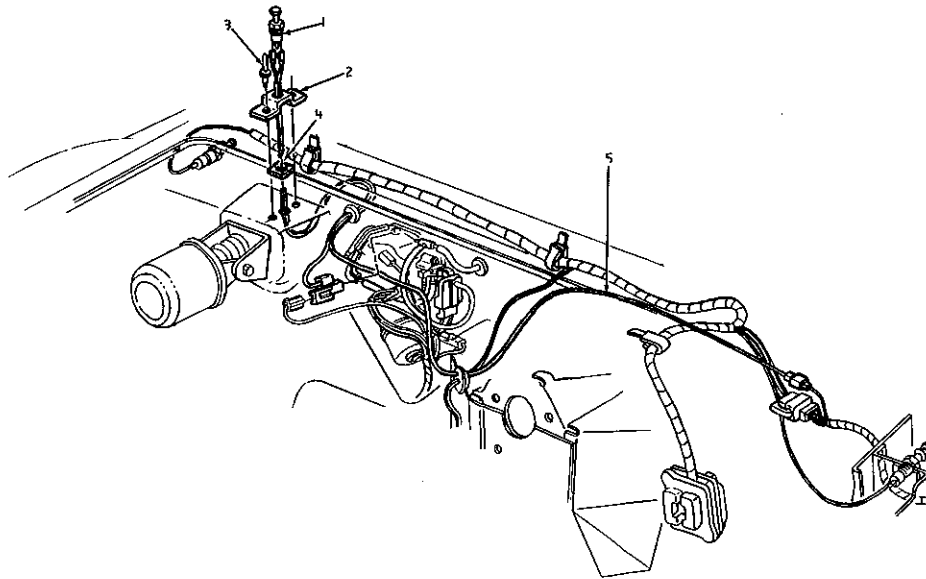
- | | | | |
|------------------------------|---------|--|---------|
| 1. 1.516 GAUGE | 3981088 | 8. 1.803 PIPE ASSY. | 3961560 |
| 2. 1.516 TUBE ASSY. | 3981089 | 9. 8.963 SLEEVE | |
| 3. 2.077 BRACE | 3965588 | 10. 8.963 CONNECTOR | |
| 4. 2.041 MOTOR ASSY. | 1108400 | 11. 8.963 ELBOW | |
| 5. 8.977 SCREW (10-24 x 3/8) | | 12. 1.803 BRACKET | 3954228 |
| 6. 2.104 SHIELD | 3943647 | 13. 8.900 SCREW ASSY. (1/2-20 x 7/16) | |
| 7. 2.104 NUT | 3943648 | 14. 8.955 GASKET (11/32 x 7/16 x 5/64) | |



2-145

IGNITION LOCKING DETAILS

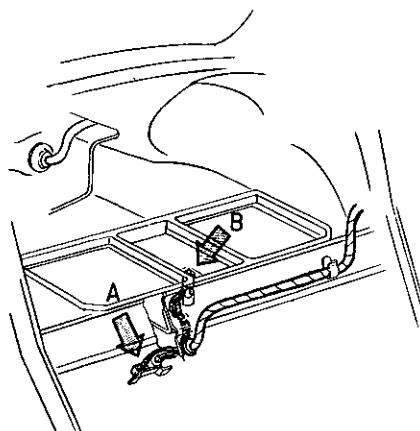
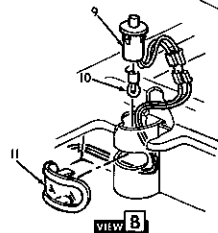
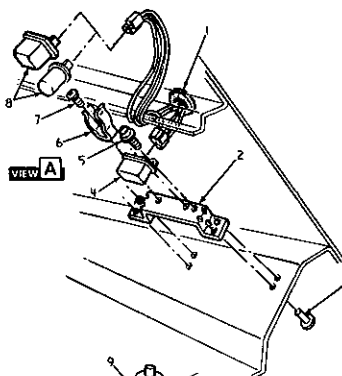
| | | | | | |
|----|-------|-------------------------------|----|-------|-----------------------------------|
| 1. | 6.500 | COVER—shaft lock plate | 5. | 2.195 | RACK—ign. sev. actuator |
| 2. | 6.500 | PLATE—shaft lock | 6. | 6.514 | PLATE—shift detent & housing lock |
| 3. | 6.500 | BOLT—w/spring | 7. | 2.195 | SECTOR—ign. sev. actuator |
| 4. | 2.195 | SHAFT—ign. sev. selector door | 8. | 2.188 | CYLINDER ASSY.—uncoded |



2-157

1973 ANTI-THEFT ALARM, HOOD SWITCH, AND WIRING

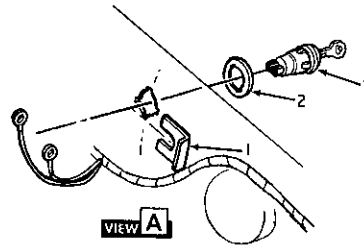
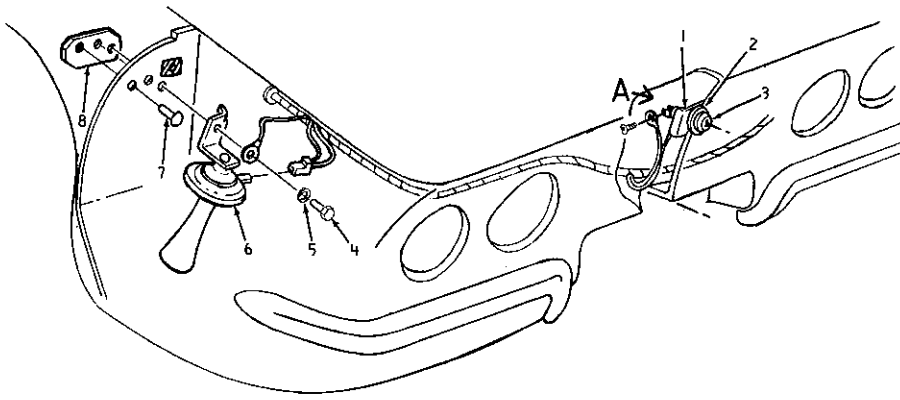
- | | | | |
|----------------------------|---------|-----------------------------|---------|
| 1. 11.950 SWITCH | 3929804 | 4. N.S. SEAL | |
| 2. 2.195 BRACKET | 3937680 | 5. 2.195 WIRE ASSY. | 8901904 |
| 3. 8.967 RIVET | | | |



2-158

1973-75 ANTI-THEFT RELAY AND REAR COMPARTMENT LAMP

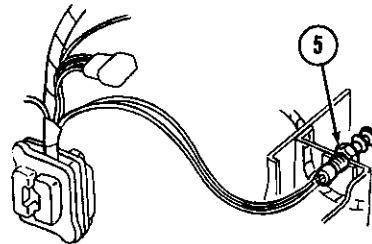
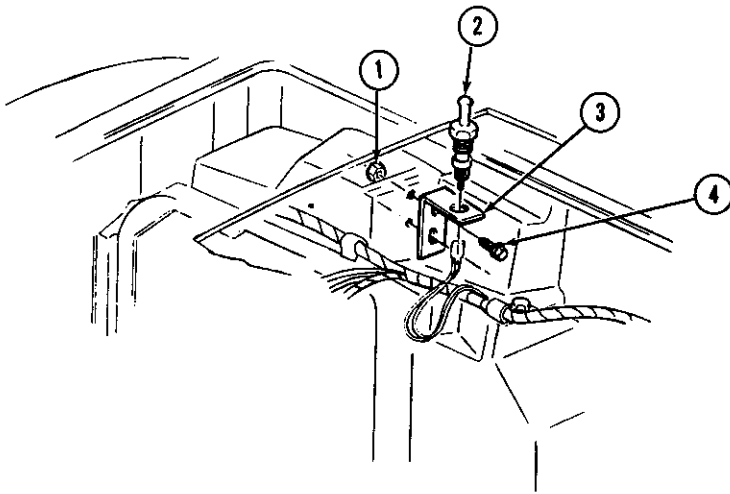
- | | | | |
|----------------------------|---------|-----------------------------|---------|
| 1. 9.775 GROMMET | | 7. 8.977 SCREW (6-20 x 1/2) | |
| 2. 2.195 BRACKET | 3937670 | 8. 2.575 FLASHER | 3883794 |
| 3. 8.967 RIVET | | 9. 11.950 SWITCH | 3928753 |
| 4. 2.195 RELAY | 1115878 | 10. 8.991 BULB (1895) | |
| 5. 8.900 BOLT | | 11. 10.275 LENS | 3880976 |
| 6. 2.892 CLIP | 3943610 | | |



2-159

1973-75 ANTI-THEFT HORN AND SWITCH MOUNTING

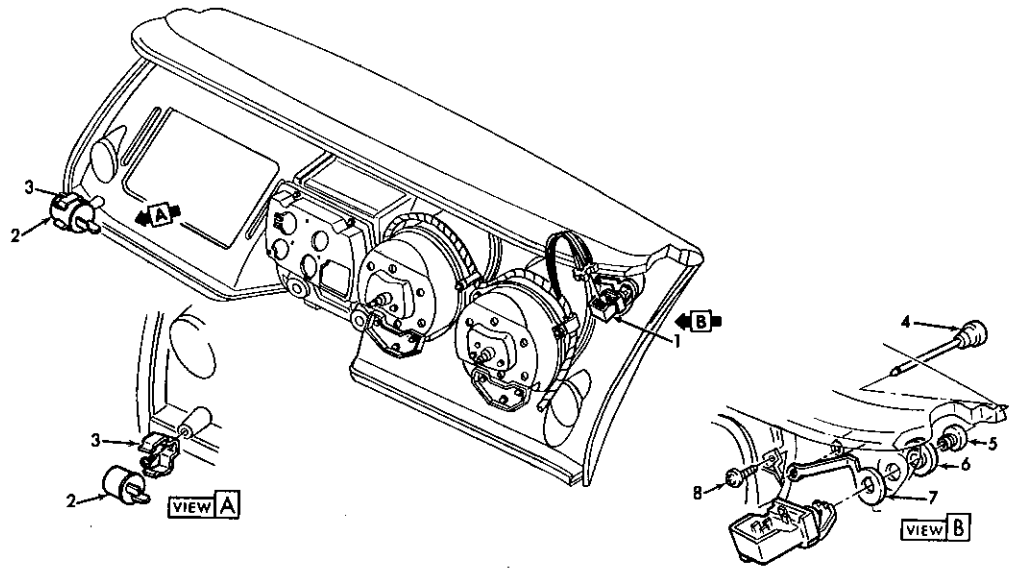
- | | |
|-------------------------------|------------------------|
| 1. 10.551 RETAINER | 5. 8.932 WASHER (5/16) |
| 2. 2.195 GASKET | 6. 2.195 HORN |
| 3. 2.195 SWITCH | 7. 8.967 RIVET |
| 4. 8.900 BOLT (5/16-18 x 3/4) | 8. 11.375 PLATE |



2-258

1975 CORVETTE ANTI-THEFT HOOD & COURTESY LAMP SWITCHES

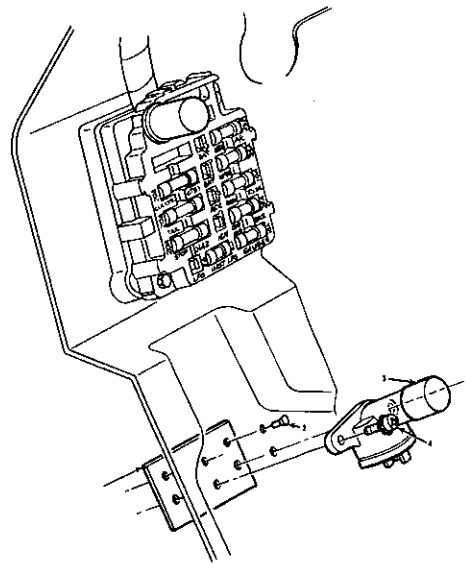
- | | | |
|---|--|---------|
| 1. 8.917 NUT ASM.—#10-24 | 4. 8.977 SCREW—#10-24 x 3/4 | |
| 2. 11.950 SWITCH ASM.—Door Ajar Warning Lamp | 5. 11.950 SWITCH ASM.—Courtesy Lamp . L.H. | 9662505 |
| 3. 2.195 BRACKET—Anti-Theft Hood Switch . | SWITCH ASM.—Courtesy Lamp . R.H. | 9662506 |
| | | 6258295 |
| | | 336121 |



2-244

1974 CORVETTE LIGHT SWITCH & DIR. SIGNAL FLASHER

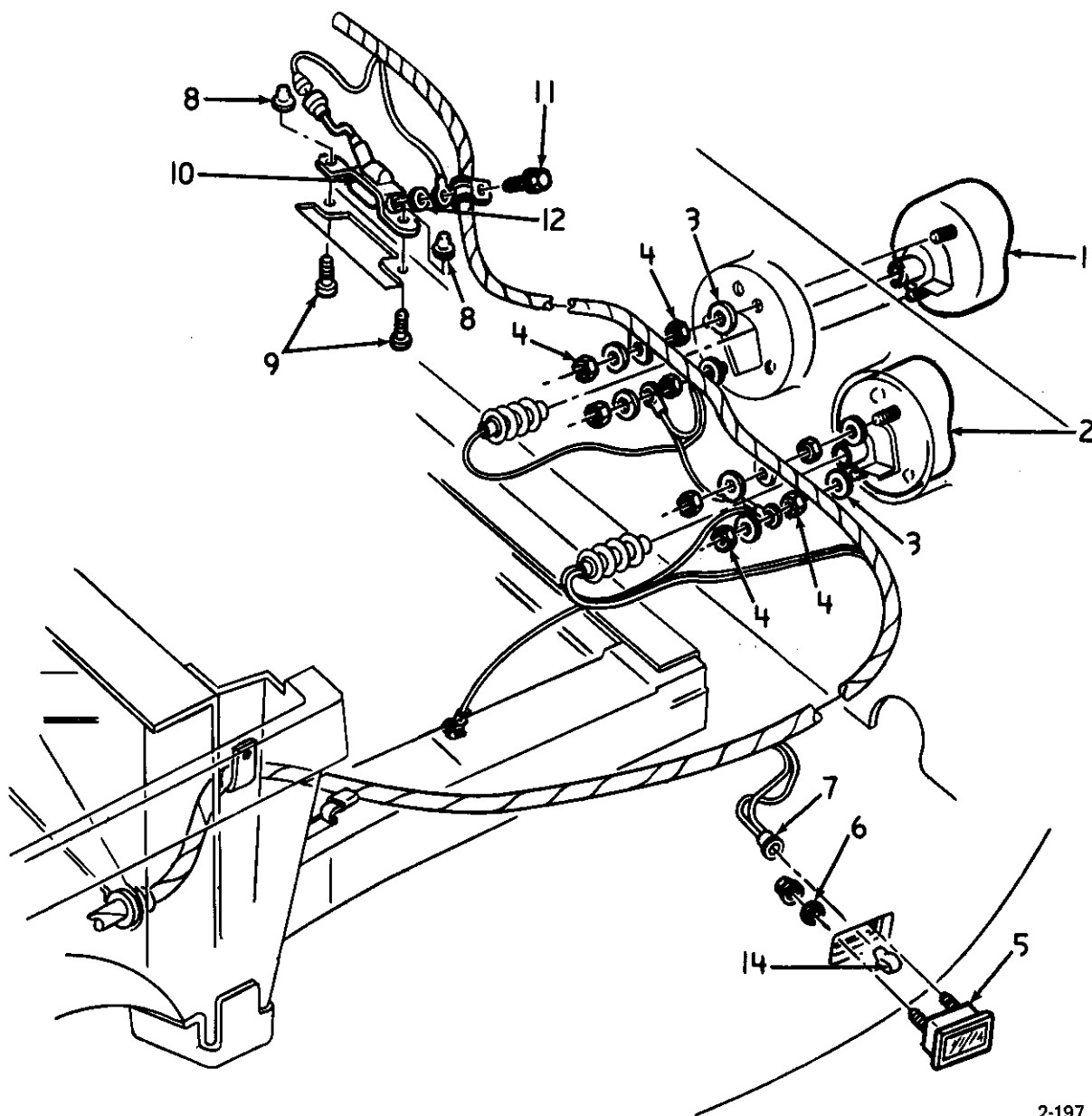
- | | |
|--|------------------------------------|
| 1. 2.485 SWITCH ASSY.—lighting | 5. 2.486 NUT ASSY.—rod |
| 2. 2.892 FLASHER ASSY.—direction signal lamp | 6. 2.487 BEZEL |
| 3. 2.892 CLIP—flasher | 7. 2.485 STRAP—light switch ground |
| 4. 2.486 ROD ASSY.—lighting | 8. 8.977 SCREW |



2-250

1974 CORVETTE DIMMER SWITCH AND HAZARD FLASHER

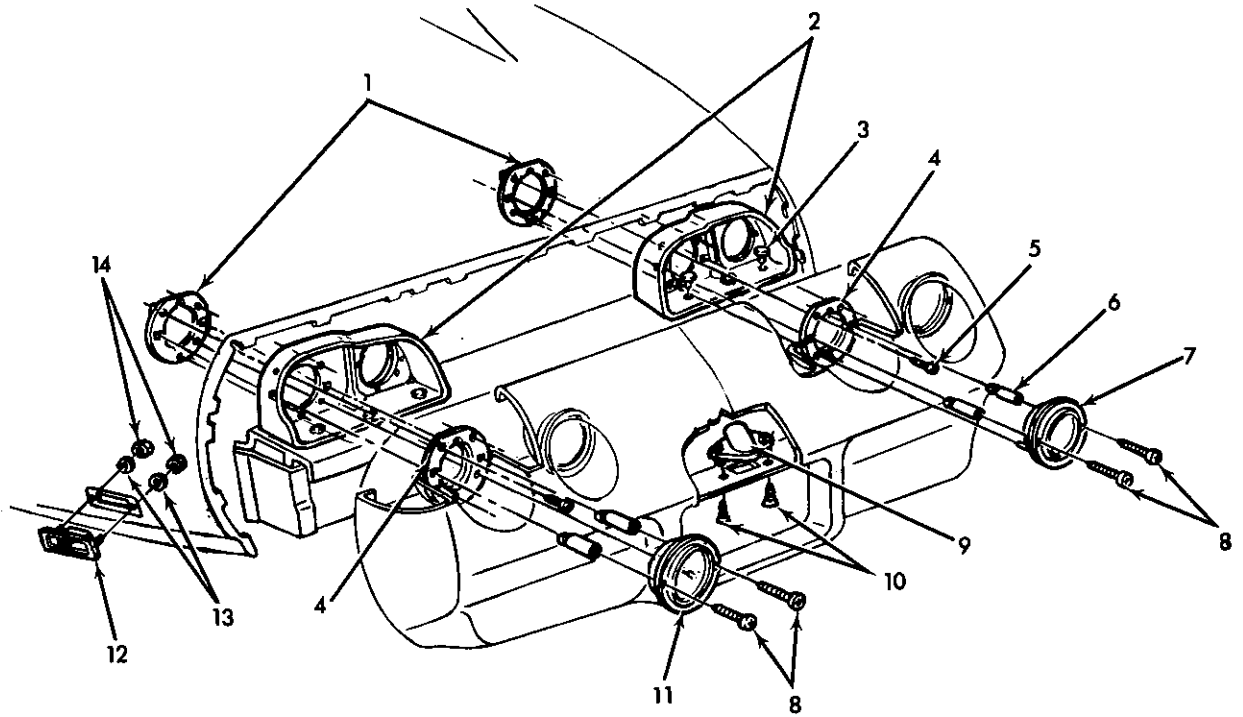
- | | |
|-------------------------------|--------------------------------|
| 1. 2.575 FLASHER ASSY.—hazard | 4. 8.977 SCREW ASSY. |
| 2. 8.963 RIVET | 5. 2.459 PLATE—switch mounting |
| 3. 2.459 SWITCH ASSY.—dimmer | |



2-197

1973 CORVETTE REAR LAMPS

| | | | | | | | |
|----|-------|---------------------------------|------------|-----|-------|-----------------------|---------|
| 1. | 2.697 | LAMP ASSY, Backing | 917512 | 6. | 8.929 | WASHER (5/16) | |
| 2. | | LAMP ASSY., Tail and Stop (CPS) | | 7. | 8.921 | NUT (1/4) | |
| | 2.684 | GASKET | 5959849 | 8. | 8.970 | PLUG (5/16) | |
| | 2.660 | GASKET | 5959850 | 9. | 8.977 | SCREW (8-18x5/8) | |
| | 2.680 | HOUSING ASSY. | 5960549 | 10. | 2.700 | LAMP ASSY., Lic. Plt. | 911908 |
| | 2.594 | SCREW | 5962814 | 11. | 8.900 | SCREW (10-24x1/2) | |
| | 2.682 | LENS | 5953342 | 12. | 8.932 | WASHER (#10) | |
| 3. | 8.143 | WASHER (9/32) | 3704579 | 13. | 8.929 | WASHER (9/32) | |
| 4. | 8.915 | NUT (1/4-20) | | 14. | 8.991 | BULB (#168 12V 3CP) | 9425542 |
| 5. | 2.575 | LAMP, ASSY., Side Marker | 3973653-54 | | | | |




2-256

1975 CORVETTE REAR LAMPS — TAIL, LICENSE & SIDE MARKER

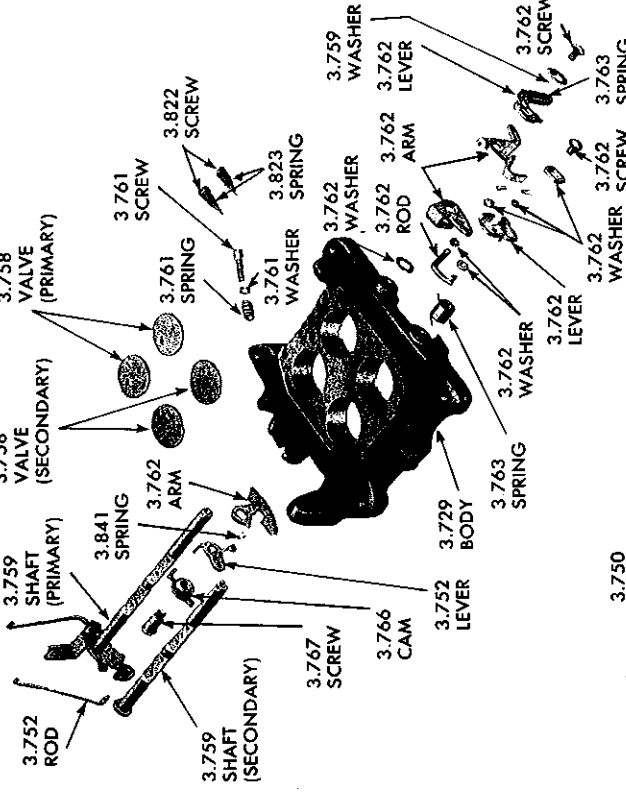
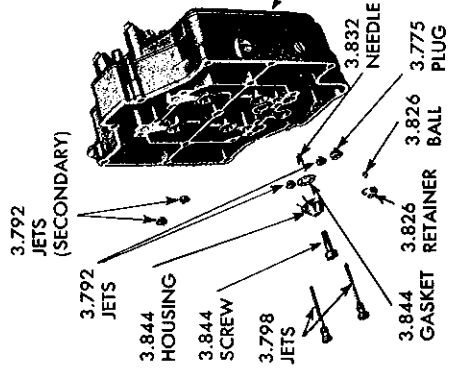
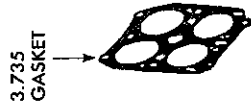
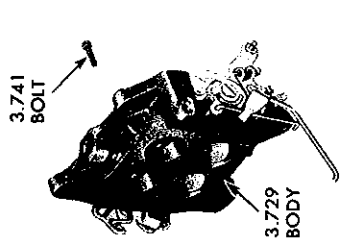
| | | | | | | | |
|----|-------|--|------------|-----|-------|--------------------------------------|-----------|
| 1. | 2.688 | RETAINER ASSY., rr. tail lamp . . . | 347922 | 8. | 8.977 | SCREW, 8-18 x 2-1/4 | |
| 2. | 2.680 | PANEL, tail & stop lp. | 347899-900 | 9. | 2.700 | LAMP ASSY., rr. license | 912116 |
| 3. | 8.977 | SCREW, hx. hd. 1/4-20 x 7/8 | | 10. | 8.977 | SCREW, 8-18 x 1/2 | |
| 4. | 2.662 | REINFORCEMENT, tail & stop lp. mt. pnl. | 347921 | 11. | 2.679 | LAMP ASSY., tail & stop | 897193 |
| 5. | 8.977 | BOLT, 1/4-20 x 1 | | 12. | 2.575 | LAMP ASSY., rr. si. marker | 336189-90 |
| 6. | 8.921 | NUT, 1/4 | | 13. | 8.929 | P. WASHER, 5/16 x 3/4 x 1/16 | 120386 |
| 7. | 2.697 | LAMP ASSY., backing | 912040 | 14. | 8.921 | NUT, 1/4 | |

GROUP 3.000
FUEL EXHAUST —
CARBURETION

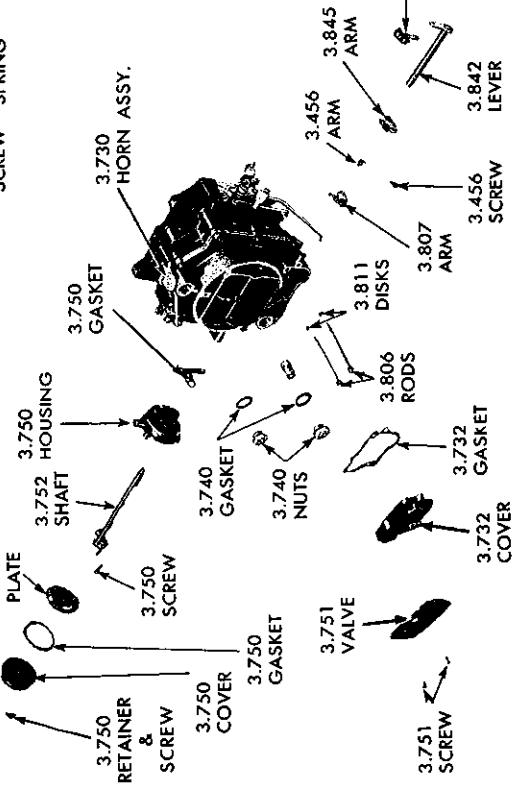
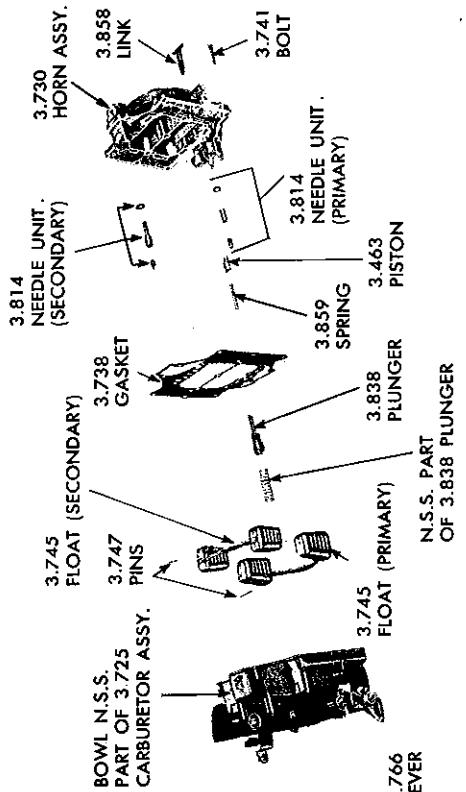


THROTTLE BODY AND FLOAT BOWL COMPONENTS

THROTTLE BODY COMPONENTS



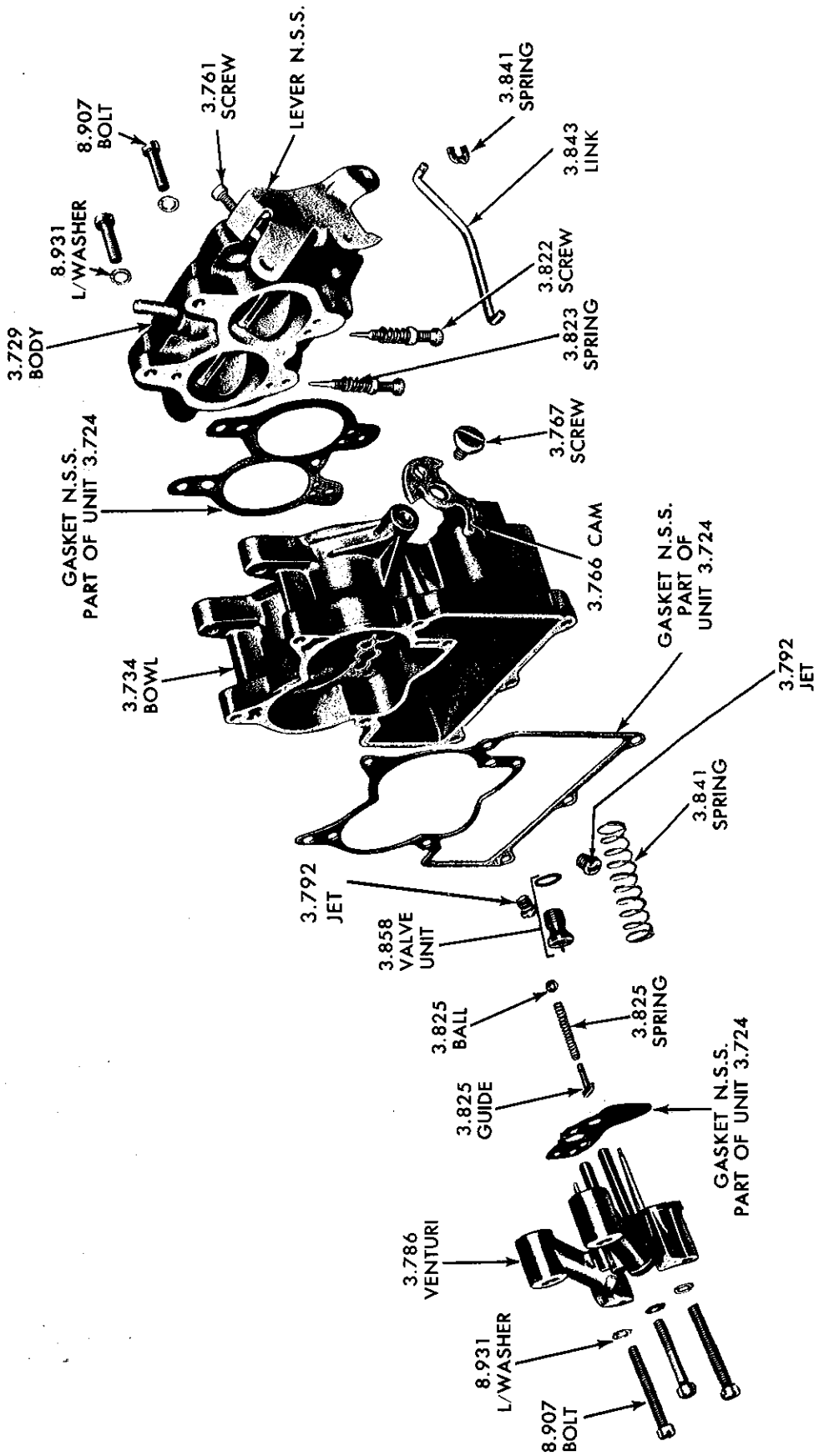
BOWL N.S.S. PART OF 3.725 CARBURETOR ASSY.



AIR HORN—LOWER COMPONENTS

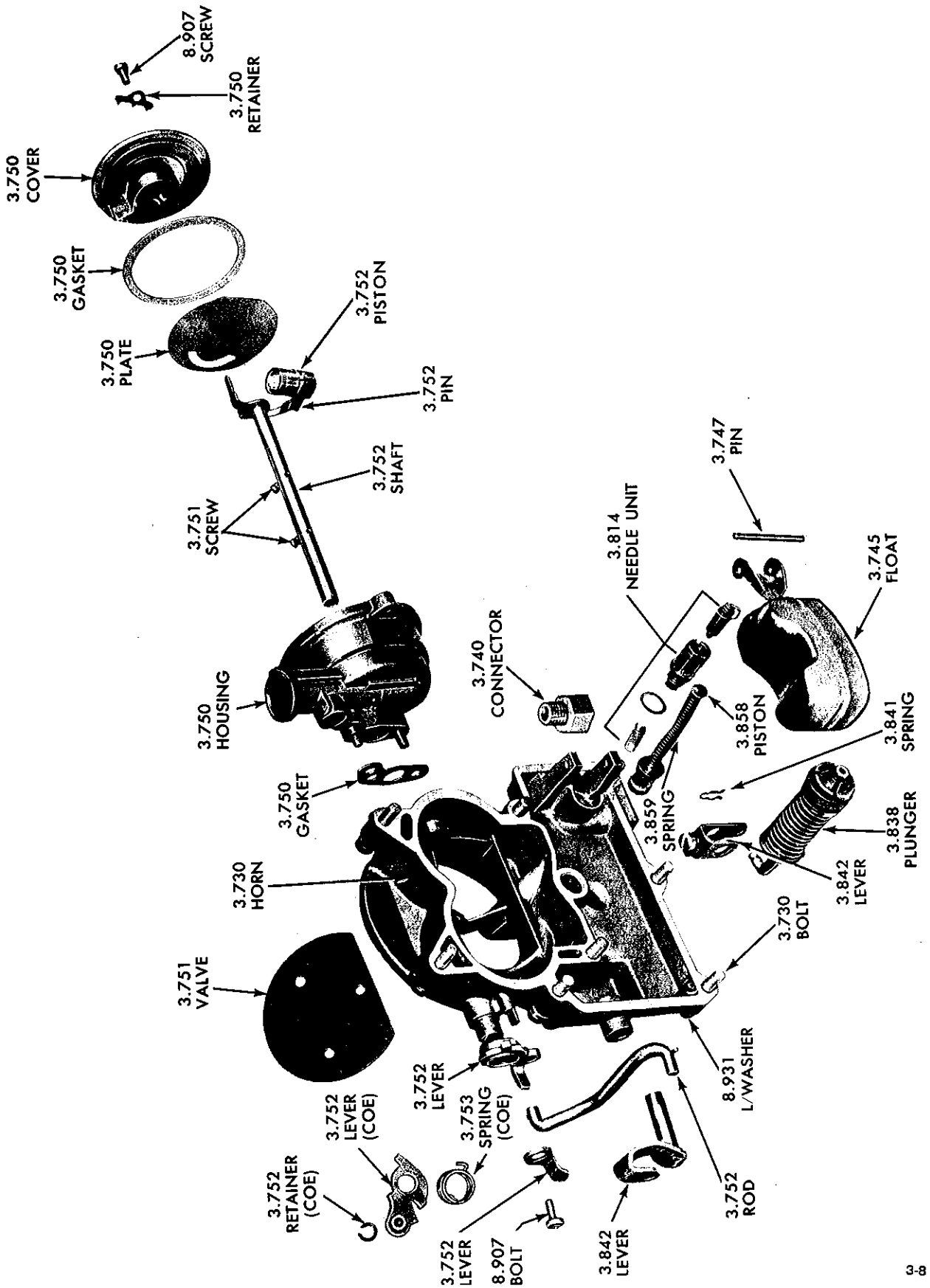
AIR HORN—UPPER COMPONENTS

1955 ROCHESTER FOUR BARREL CARBURETOR

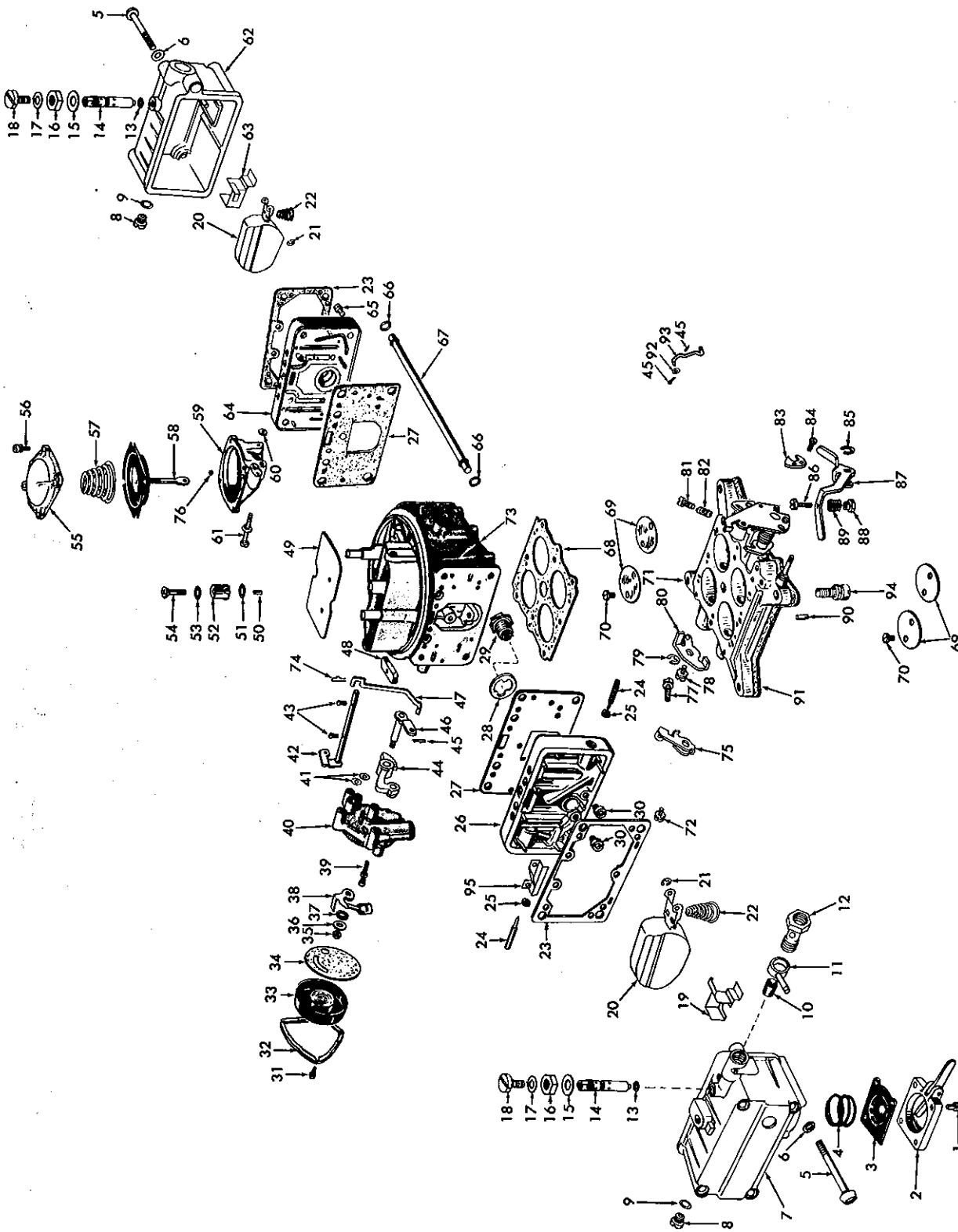


3-7

1955-69 TWO BARREL CARBURETOR-THROTTLE BODY AND BOWL



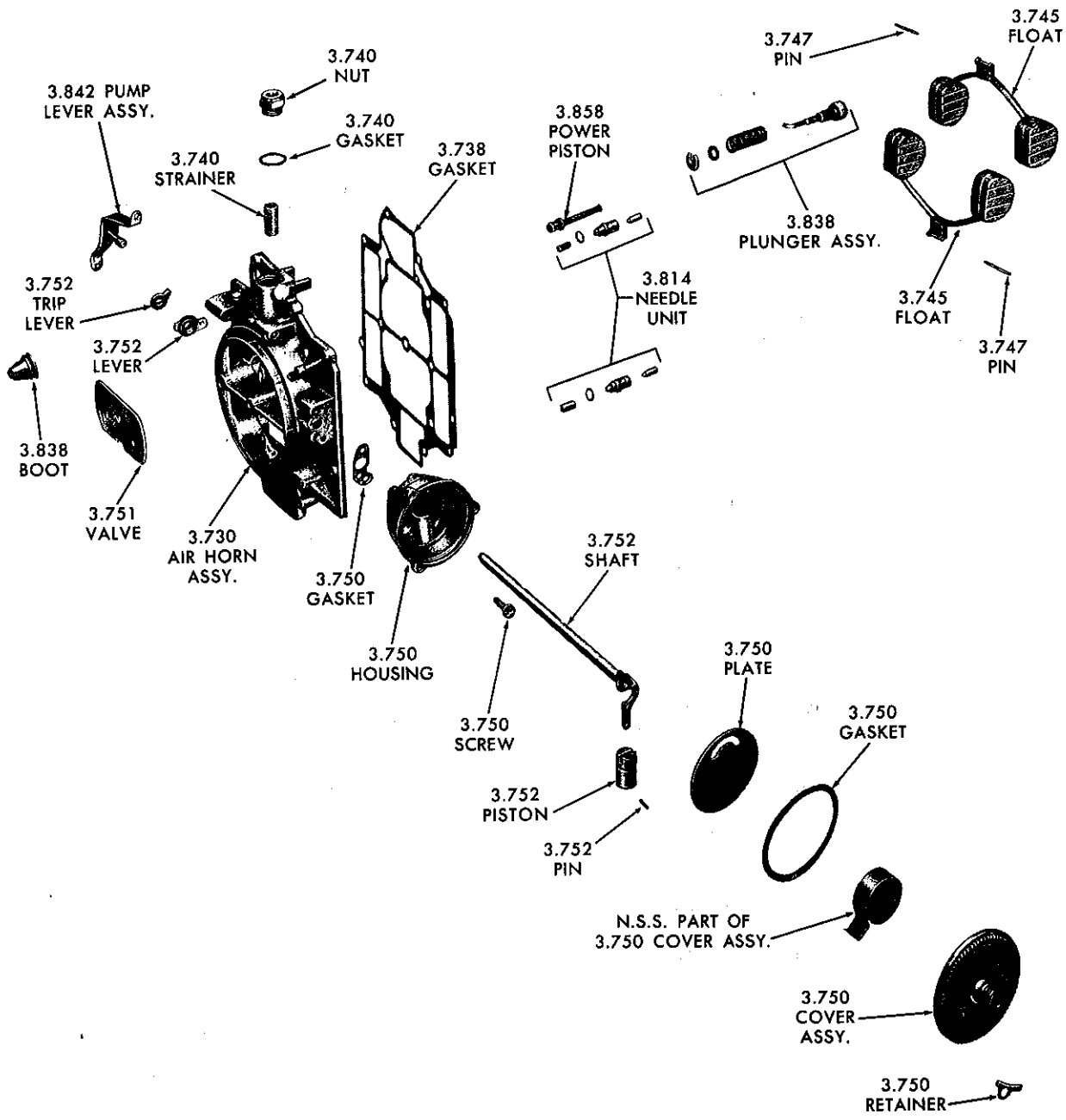
1955-69 TWO BARREL CARBURETOR-HORN AND CHOKE



HOLLEY 4-B.C.

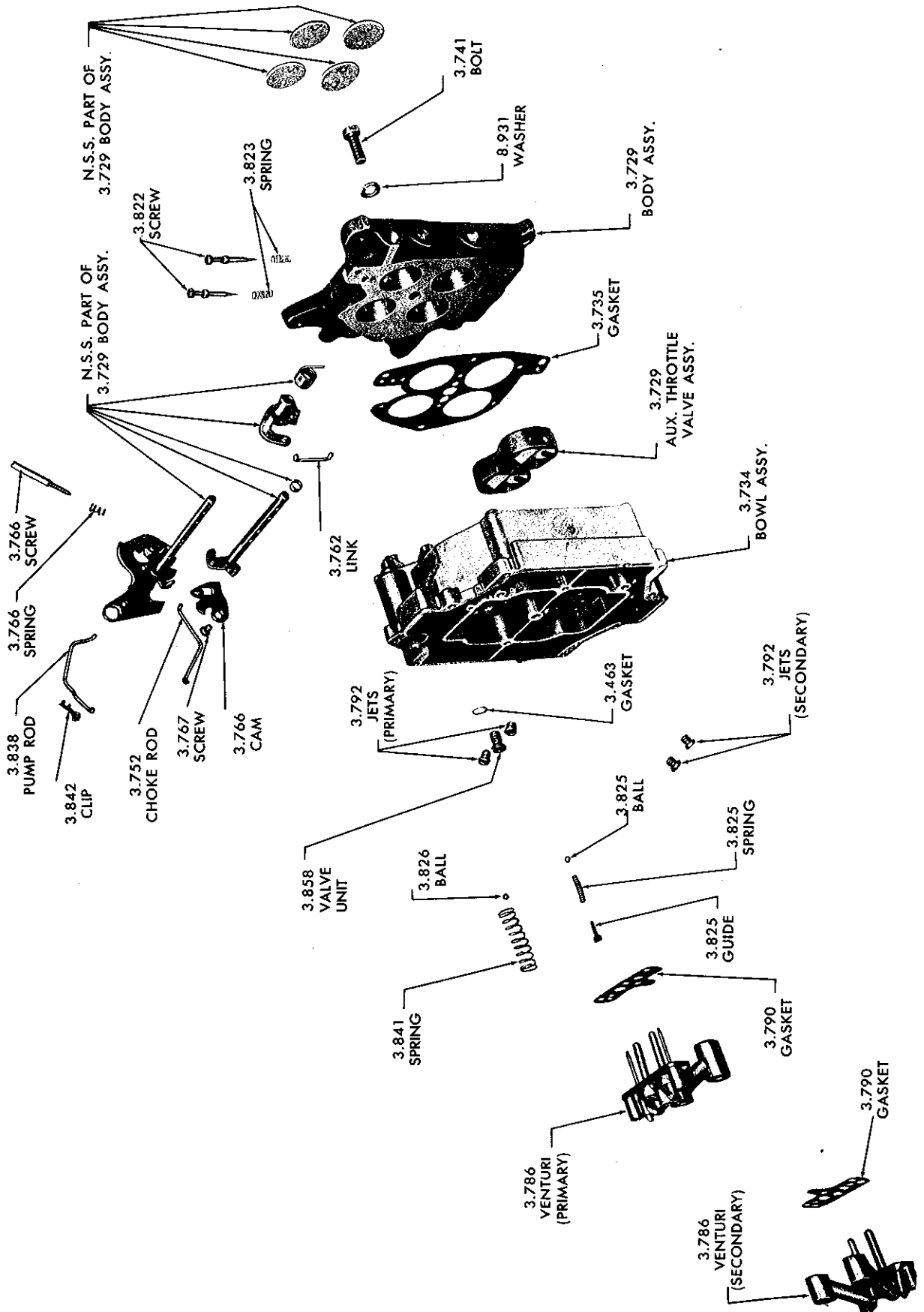
HOLLEY 4-B.C.

- | | |
|---|--|
| <ul style="list-style-type: none"> 1. 3.838 SCREW—Pump Cover Assy. 2. 3.838 COVER ASSY.—Fuel Pump 3. 3.838 DIAPHRAGM ASSY. 4. 3.841 SPRING—Diaphragm Return 5. 3.730 SCREW—Bowl to Body 6. N.S.S. GASKET—Part of Kits 385176 7. 3.734 BOWL—Fuel w/Plugs (Primary) 8. 3.747 PLUG—Fuel Level Check 9. N.S.S. GASKET—Part of Kits 3851763-64-65 10. 3.740 SCREEN—Filter 11. 3.740 TUBE 12. 3.740 FITTING—Fuel Inlet 13. N.S.S. SEAL—"O" Ring, Part of Kits 3851763-64-65 14. 3.814 NEEDLE UNIT—Float 15. N.S.S. GASKET—Part of Kits 3851763-65 16. 3.814 NUT—Fuel Valve Seat Adjusting 17. N.S.S. GASKET—Part of Kits 3851763-65 18. 3.814 SCREW—Fuel Valve Seat Lock 19. 3.740 PLATE—Primary Baffle 20. 3.745 FLOAT ASSY. 21. 8.934 RETAINER 22. 3.747 SPRING—Float 23. N.S.S. GASKET—Part of Kits 3851763-64-65 24. 3.822 SCREW—Idle Adjusting 25. N.S.S. SEAL—Part of Kits 3851763-64-65 26. 3.734 BODY—Main Metering w/Plugs (Primary) 27. N.S.S. GASKET—Part of Kits 3851763-64-65 28. N.S.S. GASKET—Part of Kits 3851763-64-65 29. 3.858 VALVE ASSY.—Power 30. 3.792 JET—Main (Secondary) 31. 8.907 SCREW—Thermostat Housing Clamp (#8—32 x 7/16) 32. 3.750 CLAMP—Thermostat Housing 33. 3.750 HOUSING ASSY.—Thermostat 34. N.S.S. GASKET—Part of Kits 3851763-64-65 35. 8.915 NUT—Choke Thermostat Shaft (#8—36) 36. 8.932 L. WASHER—Choke Shaft Nut (#8) 37. 3.752 SPACER—Choke Thermostat Lever 38. 3.752 LINK & PISTON ASSY.—Choke Thermostat Lever 39. 3.750 SCREW—Choke Housing 40. 3.750 HOUSING ASSY.—Choke w/Plugs 41. N.S.S. GASKET—Part of Kits 3851763-64-65 42. 3.752 SHAFT ASSY.—Choke 43. N.S.S. SCREW—Part of Kit 3851765 44. 3.766 CAM ASSY.—Fast Idle 45. 8.938 C. PIN—Throttle Connecting Rod (3/64 x 1/2) 46. 3.752 SHAFT ASSY.—Choke Housing w/Lever 47. 3.752 ROD—Choke 48. 3.752 SEAL—Choke Rod 49. N.S. PLATE—Choke 50. 3.858 VALVE—Pump Discharge Needle 51. N.S.S. GASKET—Part of Kits 3896609 3905845-46 | <ul style="list-style-type: none"> 52. 3.774 NOZZLE—Pump Discharge 53. N.S.S. GASKET—Part of Kits 3851763-64-65 54. 3.841 SCREW—Pump Discharge Nozzle 55. 3.758 COVER—Diaphragm Housing (Secondary) 56. 3.758 SCREW—Diaphragm Cover Assy. (Secondary) 57. 3.758 SPRING—Diaphragm (Secondary) 58. 3.758 DIAPHRAGM & ROD ASSY. (Secondary) 59. 3.758 HOUSING—Diaphragm (Secondary) 60. N.S.S. GASKET—Part of Kits 3851763-64-65 61. 8.907 SCREW—Diaphragm Housing Assy. (8—32 x 1) 62. 3.734 BOWL ASSY.—Fuel w/Plugs (Secondary) 63. 3.740 PLATE—Baffle (Secondary) 64. 3.734 BODY ASSY.—Main Metering w/Plugs (Secondary) 65. 3.792 JET—Main (Secondary) 66. N.S.S. SEAL—Part of Kits 3851763-64-65 67. 3.740 PIPE—Fuel Line 68. N.S.S. GASKET—Part of Kits 3851763-64-65 69. 3.758 PLATE—Throttle (Primary & (Secondary)) 70. 3.761 SCREW—Throttle Plate 71. 3.729 BODY ASSY.—Throttle w/Shaft 72. 8.913 SCREW—(10—32 x 5/16) 73. N.S. AIR HORN—Carburetor 74. 3.752 RETAINER—Choke Rod 75. 3.766 LEVER—Fast Idle Cam 76. N.S.S. BALL—Part of Kit 3851765 77. 3.767 SCREW—Fast Idle Cam Lever Adjusting 78. N.S. SCREW 79. 8.934 RETAINER—Diaphragm Link (Secondary) (Type TE) 80. 3.858 LEVER ASSY.—Diaphragm 81. 8.907 SCREW—Throttle Stop (#10—32 x 1) 82. 3.761 SPRING—Throttle Stop Screw 83. 3.842 CAM—Pump 84. 3.841 SCREW—Pump Cam Lock 85. 3.841 RETAINER—Pump Operating Lever 86. 3.842 SCREW—Pump Lever Adjusting 87. 3.842 LEVER—Pump Operating 88. 3.842 FITTING—Pump Lever Adjusting 89. 3.841 SPRING—Pump Lever Adjusting 90. 3.838 SCREW—Diaphragm Lever Adjusting 91. N.S.S. GASKET—Part of Kits 3851763-64-65 92. 3.761 WASHER—Throttle Connecting Rod 93. 3.762 ROD—Throttle Connecting 94. 3.741 SCREW—Throttle Body 95. 3.852 BAFFLE—Metering Body Vent |
|---|--|



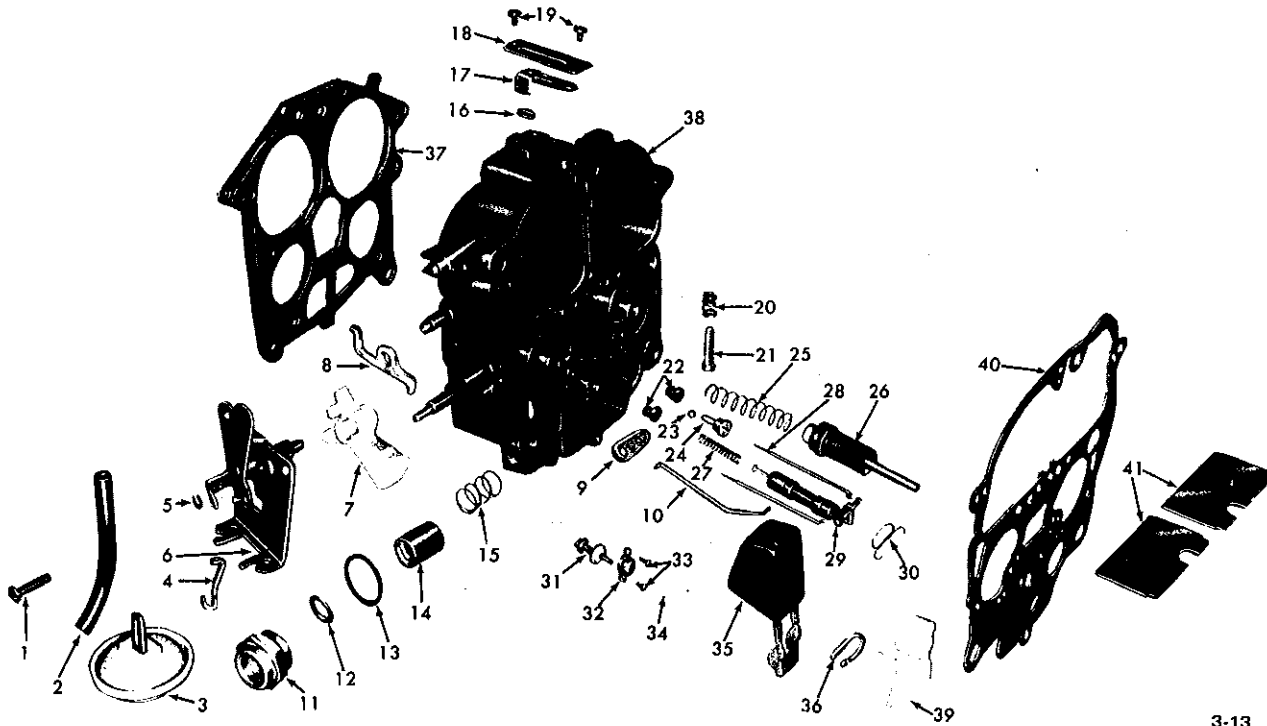
3-10

1956-69 ROCHESTER FOUR BARREL CARBURETOR AIR HORN ASSY.



3-12

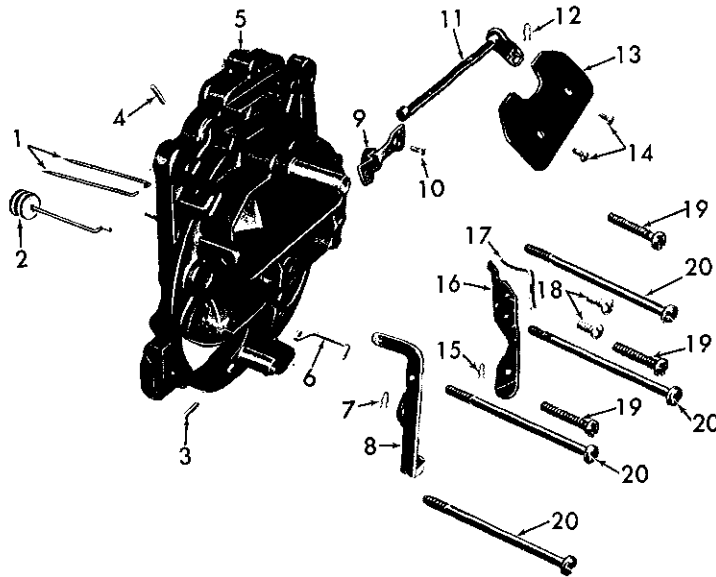
1956-69 ROCHESTER FOUR BARREL CARBURETOR THROTTLE BODY AND BOWL



3-13

ROCHESTER (QUADRAJET) FLOAT BOWL PARTS (TYPICAL)

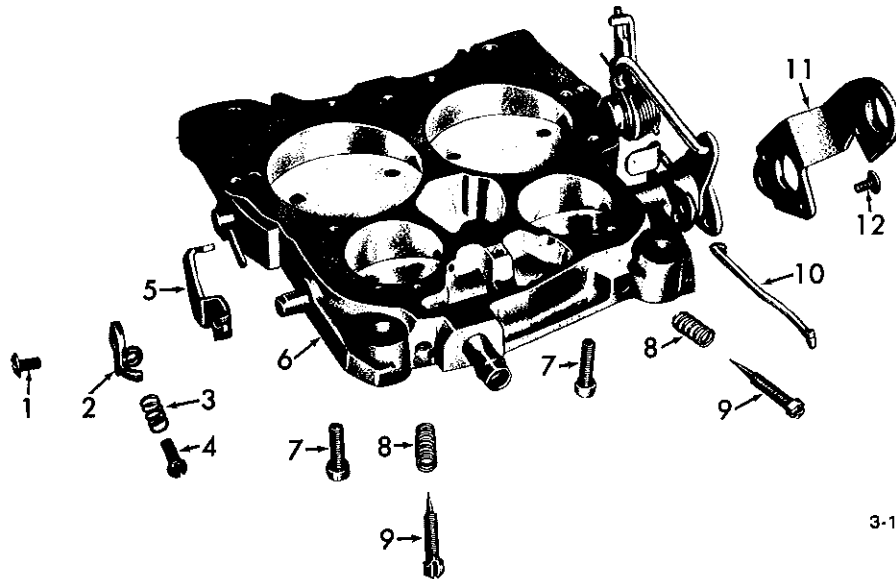
- | | |
|--|---|
| 1. 3.752 SCREW | 22. 3.792 JET |
| 2. 3.755 HOSE | 23. 3.825 BALL |
| 3. 3.755 CONTROL ASSY. | 24. 3.826 RETAINER |
| 4. 3.755 ROD | 25. 3.841 SPRING |
| 5. N.S. CLIP | 26. 3.838 PUMP |
| 6. 3.765 BRACKET ASSY. | 27. 3.859 SPRING |
| 7. 3.766 CAM | 28. 3.806 METERING ROD |
| 8. 3.752 LEVER | 29. 3.858 POWER PISTON ASSY. |
| 9. 3.752 LEVER | 30. 3.810 SPRING |
| 10. 3.752 ROD | 31. 3.814 FLOAT NEEDLE and DIAPHRAGM ASSY. |
| 11. 3.740 NUT | 32. 3.814 RETAINER |
| 12. 3.740 GASKET | 33. 3.814 SCREW |
| 13. 3.740 GASKET | 34. 3.814 CLIP |
| 13. 3.740 GASKET | 34. 3.740 CLIP |
| 14. 3.740 FILTER | 35. 3.734 FLOAT ASSY. |
| 15. 3.740 SPRING | 36. 3.747 PIN |
| 16. N.S.S. GASKET-Part of 3.724 GASKET KIT | 37. N.S.S. GASKET-Part of 3.724 GASKET UNIT |
| 17. 3.820 IDLER COMPENSATOR ASSY. | 38. 3.734 FLOAT BOWL ASSY. |
| 18. 3.820 COVER | 39. 3.734 INSERT |
| 19. 3.820 SCREW | 40. N.S.S. Part of 3.724 GASKET UNIT |
| 20. N.S. SPRING | 41. 3.740 BAFFLE |



3-14

ROCHESTER (QUADRAJET) AIR HORN PARTS

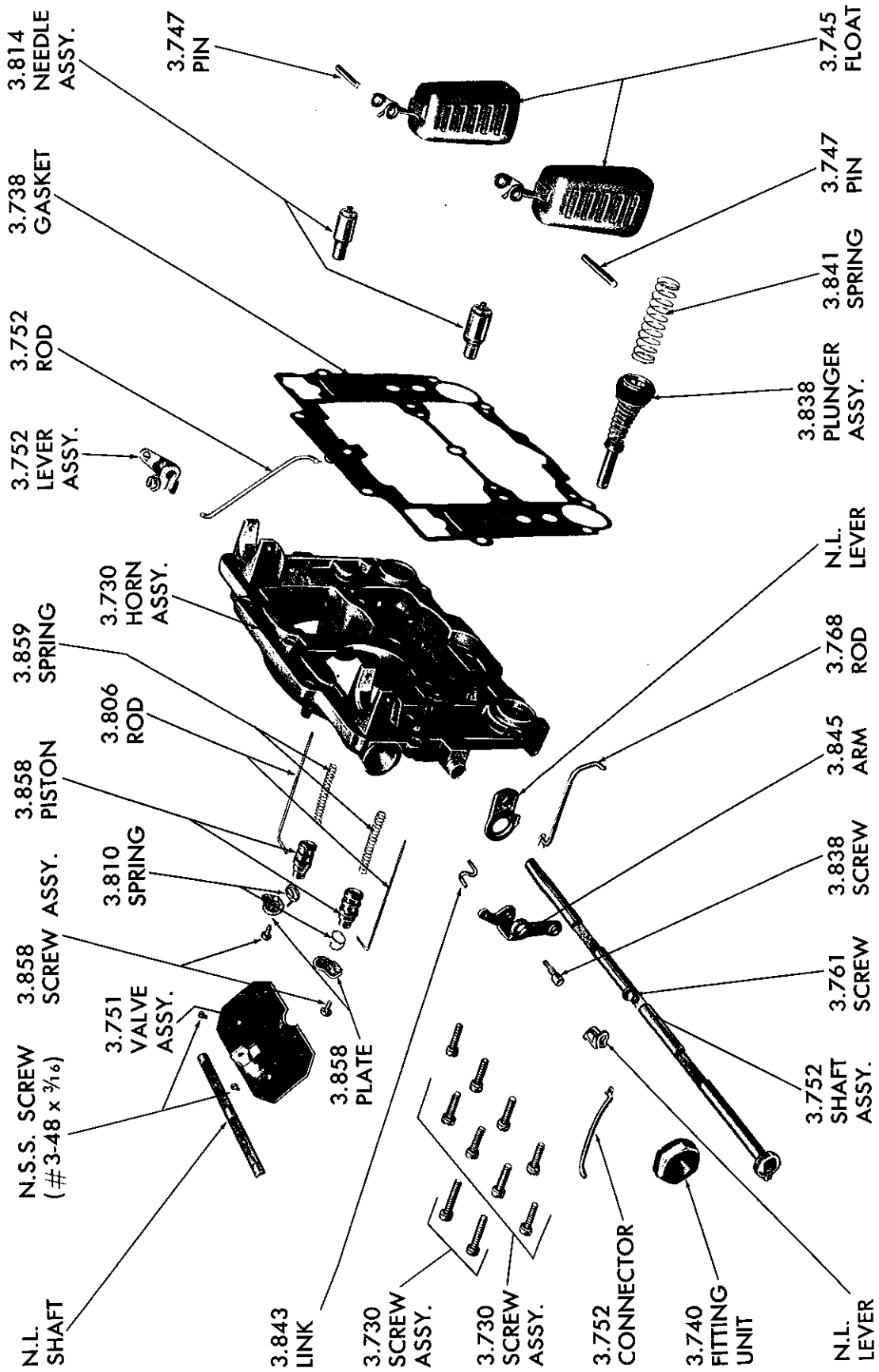
- | | |
|--------------------------|----------------------------------|
| 1. 3.806 ROD (Secondary) | 11. 3.752 SHAFT and LEVER ASSY. |
| 2. 3.440 VALVE | 12. 8.934 SPRING |
| 3. 3.440 PIN | 13. 3.751 VALVE |
| 4. 3.440 PIN | 14. 3.751 SCREW |
| 5. 3.730 HORN ASSY. | 15. 8.934 SPRING |
| 6. 3.752 ROD | 16. 3.842 LEVER |
| 7. 8.934 SPRING | 17. N.S. LEVER |
| 8. 3.440 LEVER | 18. 3.730 SCREW (8-32 x 1/2) |
| 9. 3.852 VALVE | 19. 8.907 SCREW (#10-32 x 1 1/8) |
| 10. 3.852 SCREW | 20. 3.730 SCREW (#10-32 x 3) |



3-15

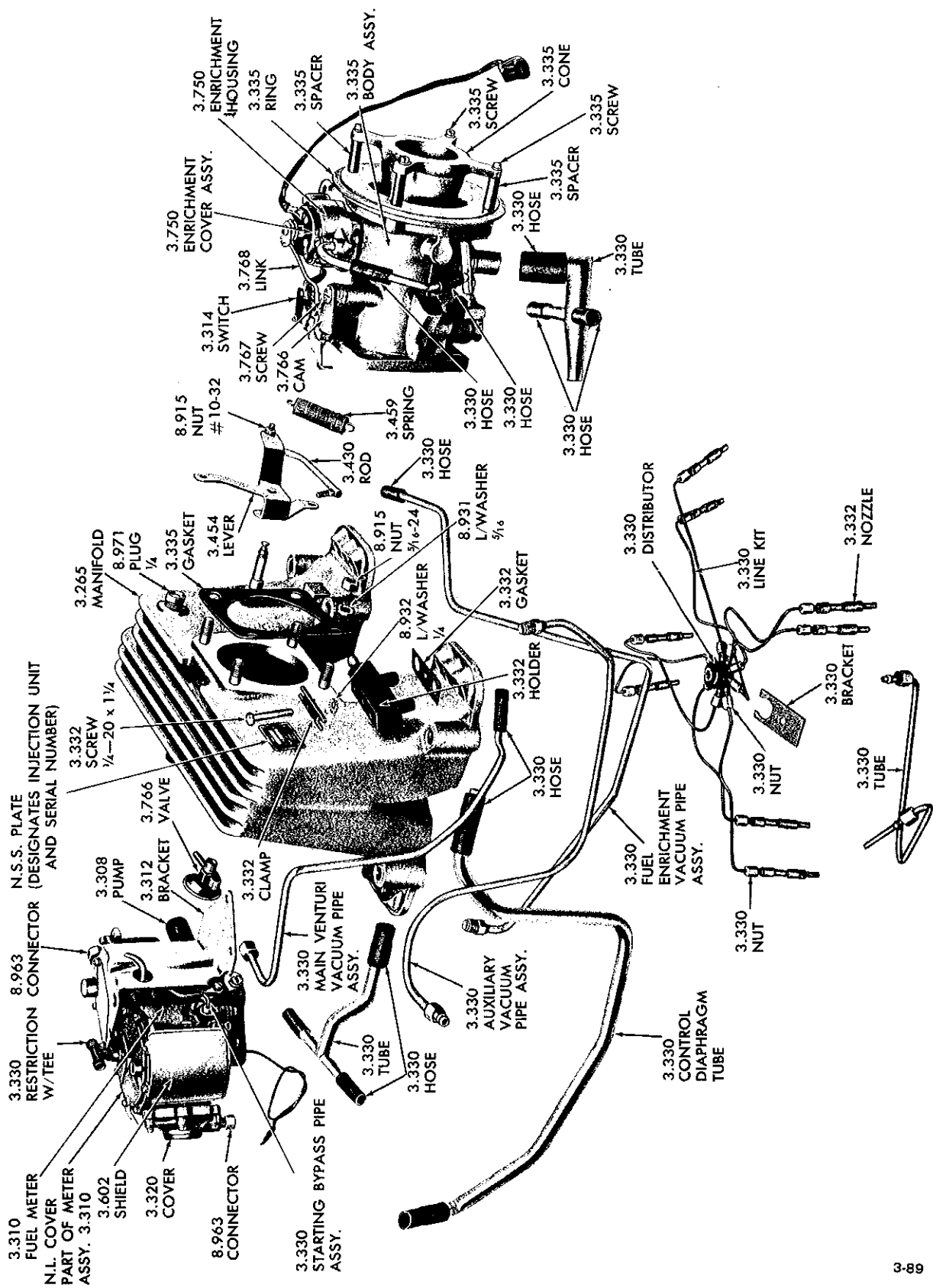
ROCHESTER (QUADRAJET) THROTTLE BODY PARTS

- | | |
|------------------------------|-----------------|
| 1. 3.762 SCREW | 7. 3.741 SCREW |
| 2. 3.766 LEVER, Fast Idle | 8. 3.823 SPRING |
| 3. 3.766 SPRING | 9. 3.822 NEEDLE |
| 4. 3.766 SCREW | 10. 3.843 ROD |
| 5. 3.766 LEVER, Cam | 11. 3.762 LEVER |
| 6. 3.729 THROTTLE BODY ASSY. | 12. 3.762 SCREW |



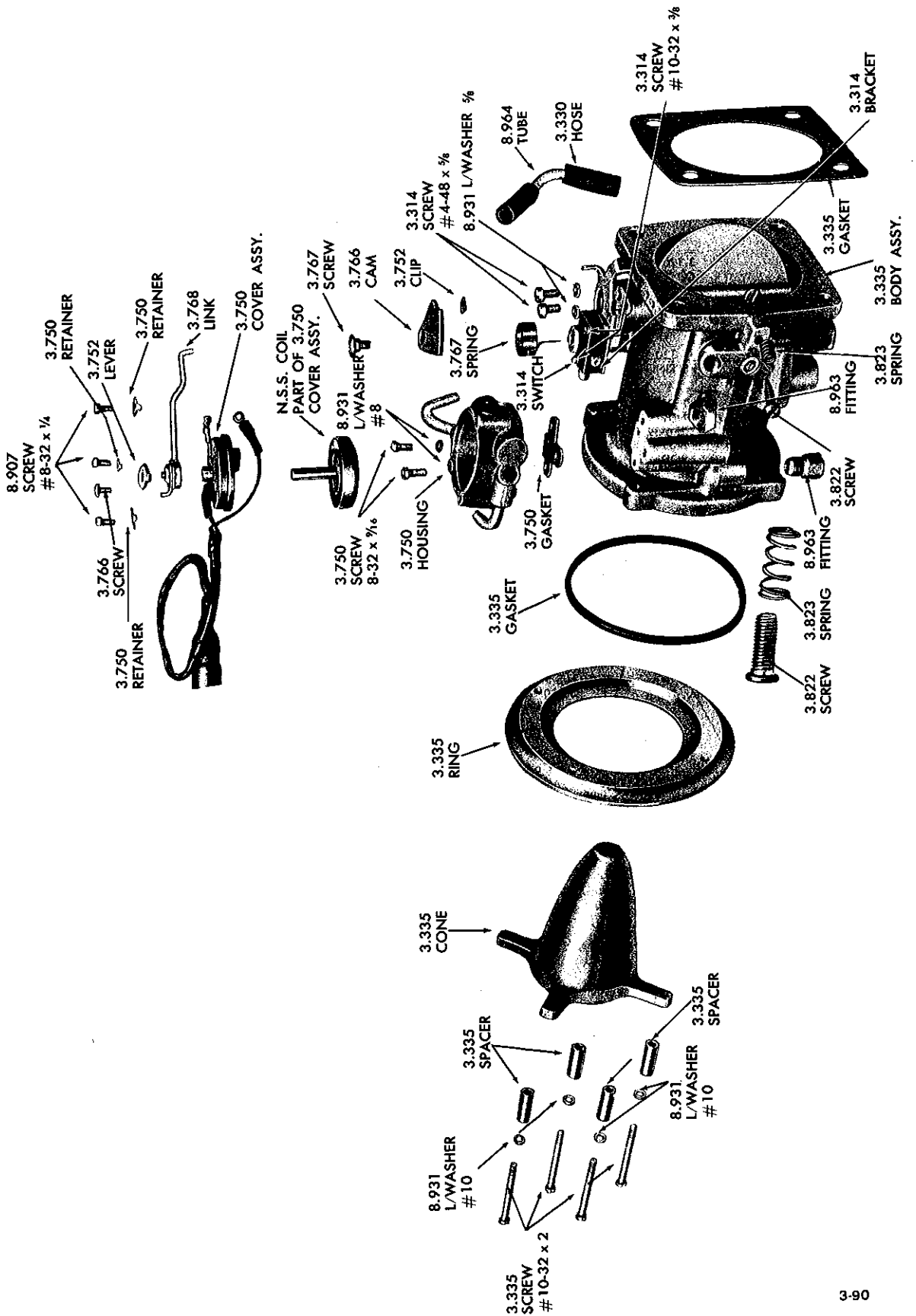
3-17

1961-70 CARTER FOUR BARREL CARBURETOR AIR HORN ASSY.



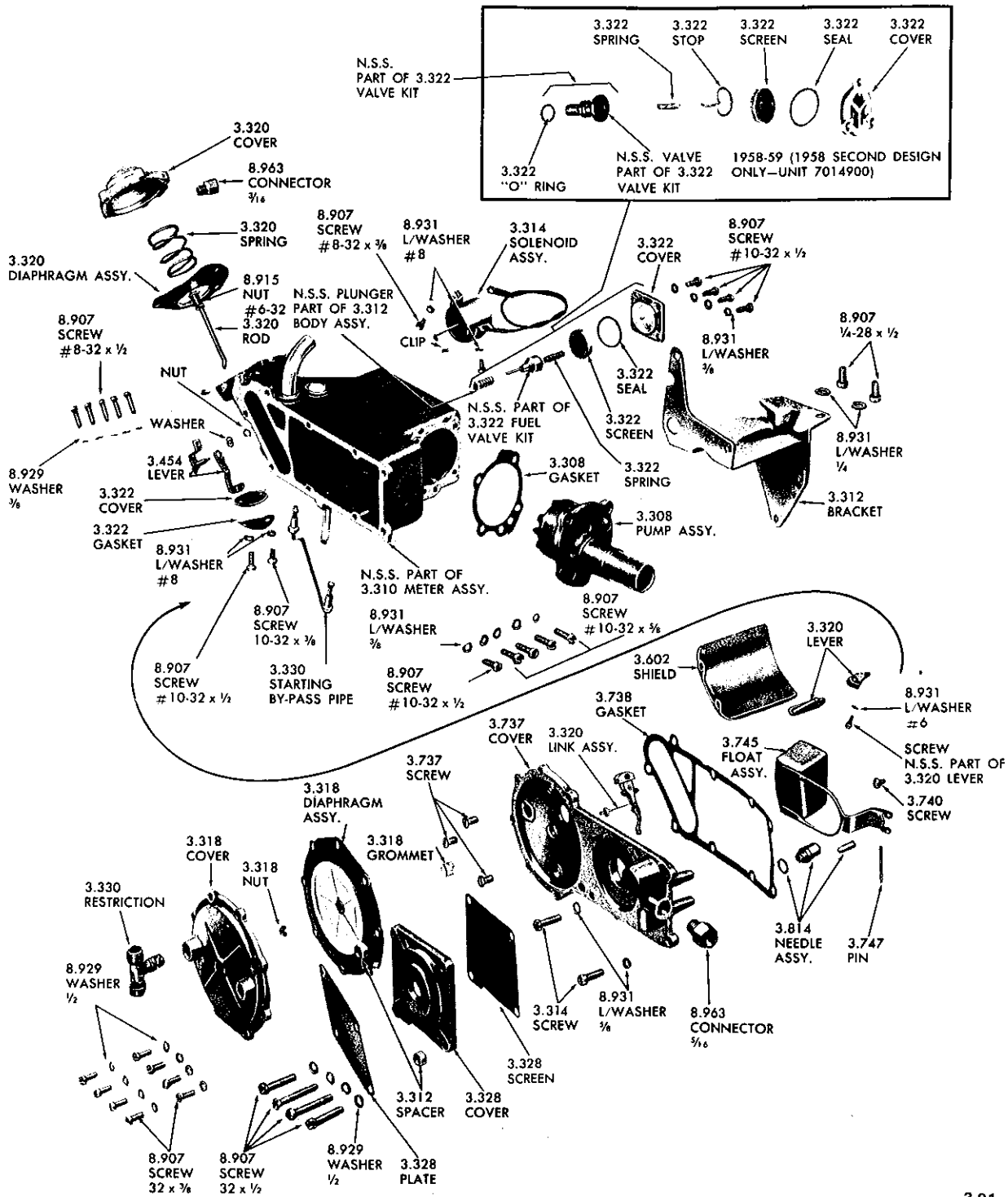
3-89

1957-62 FUEL INJECTION ASSY.



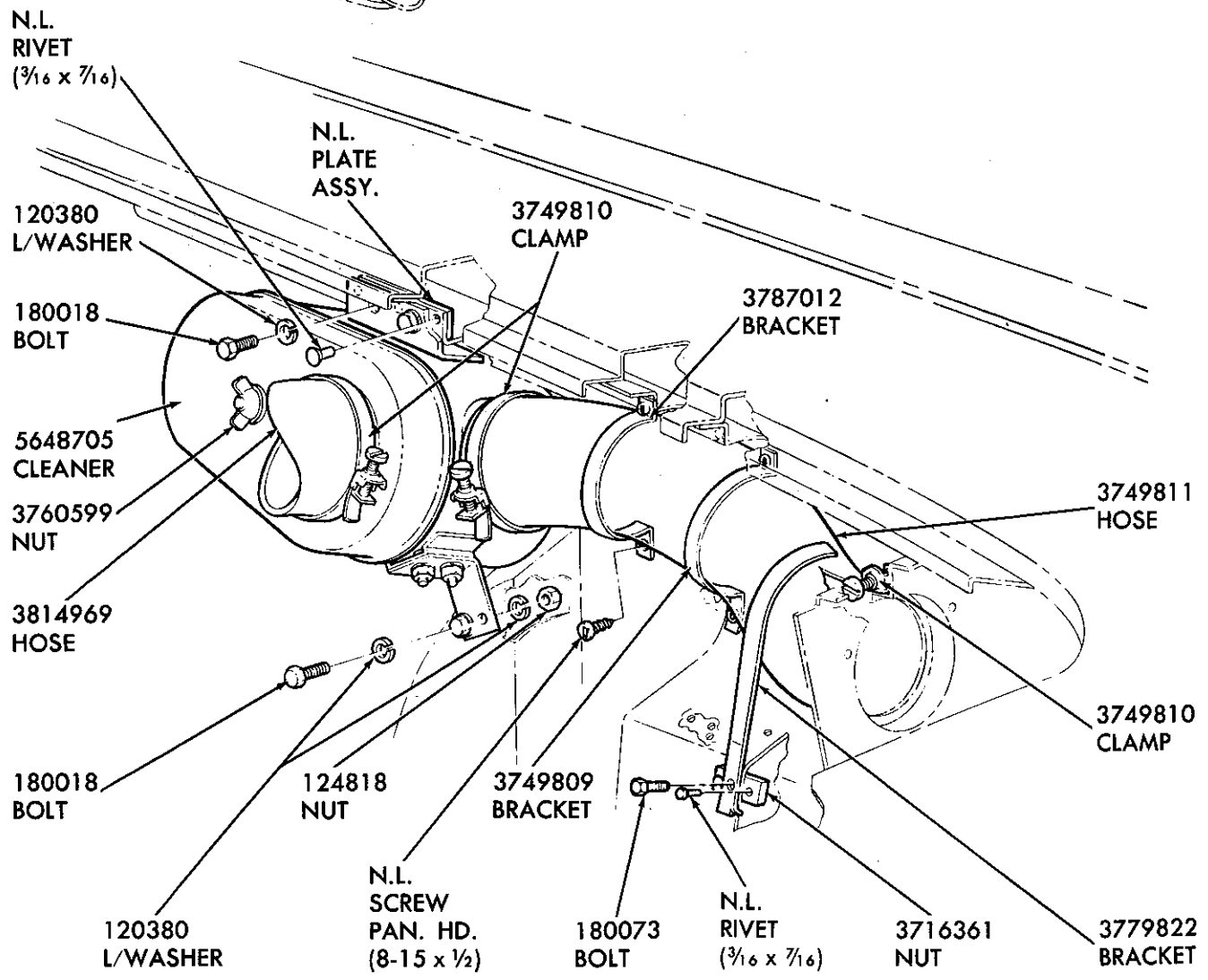
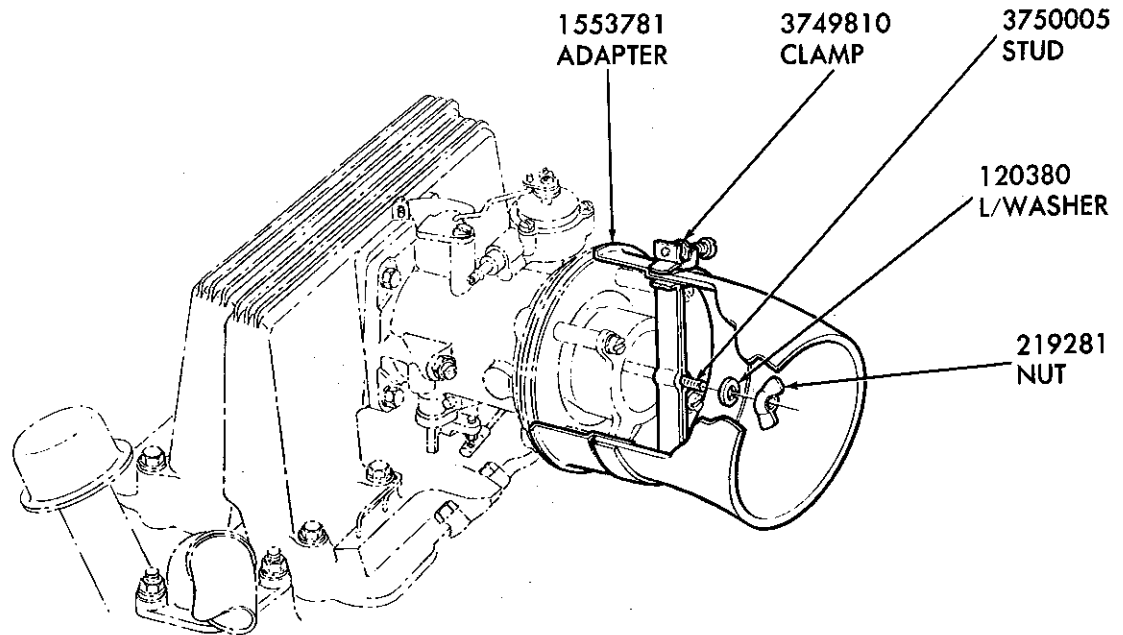
3-90

1957-62 FUEL INJECTION AIR METER ASSY.



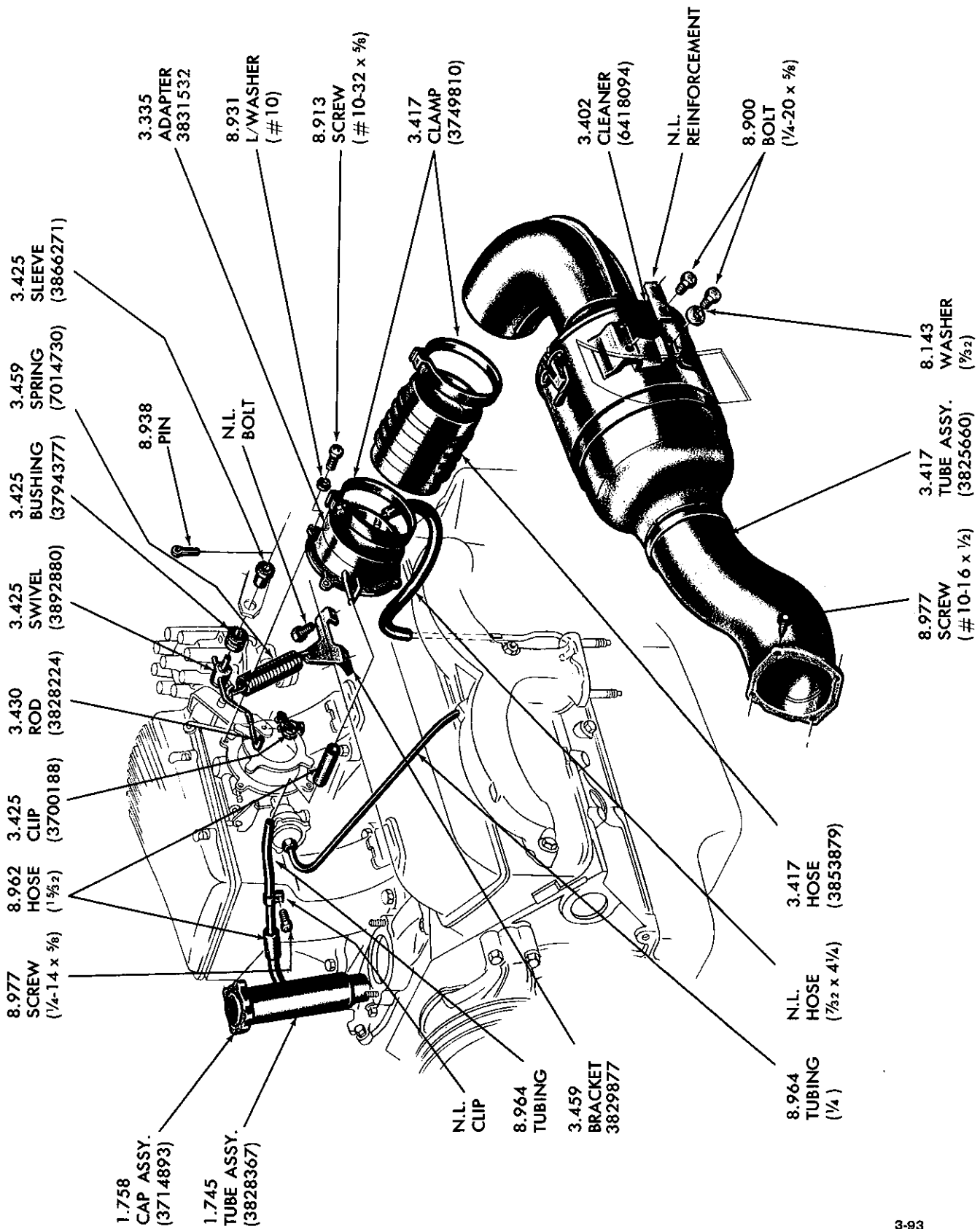
3-91

1957-62 FUEL INJECTION FUEL METER ASSY.

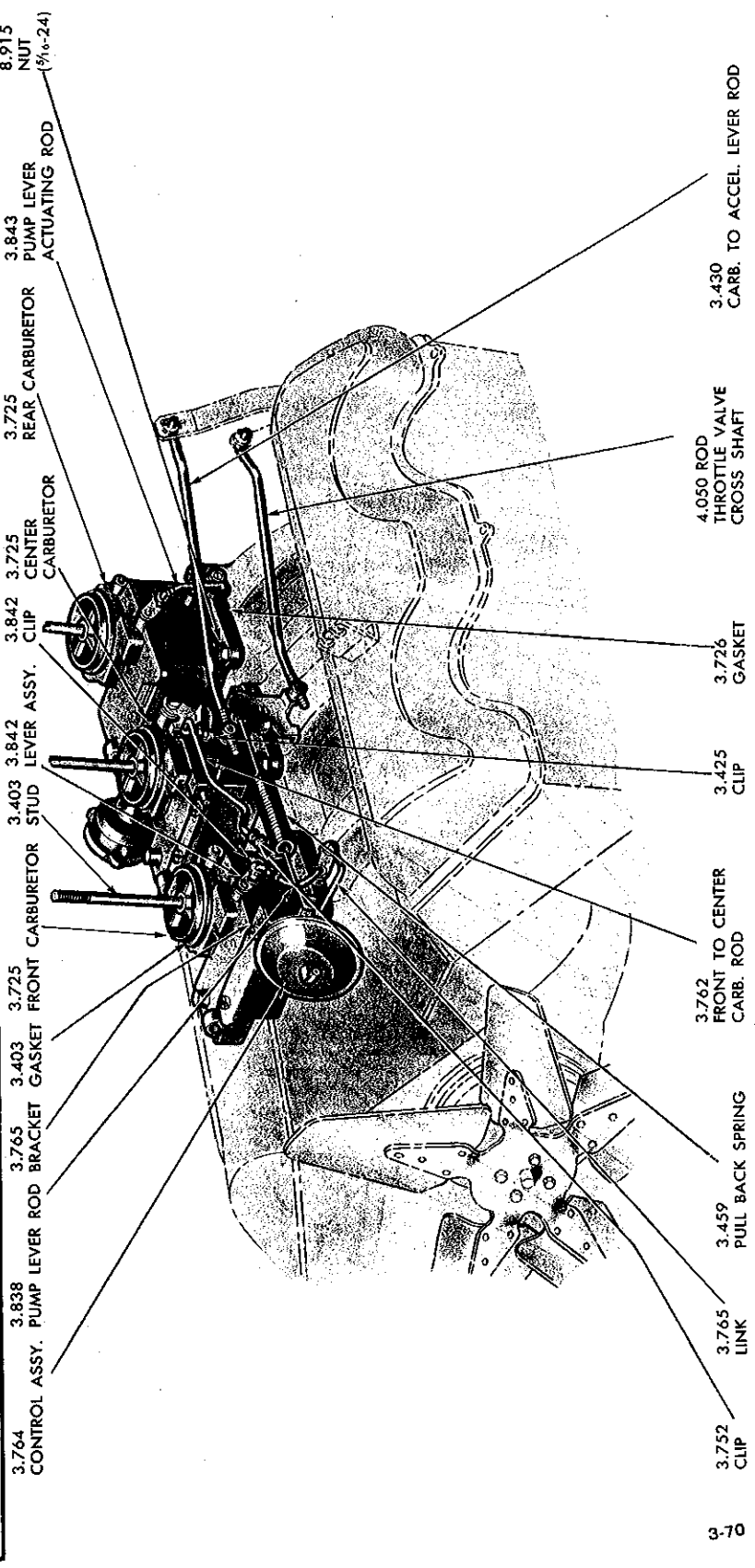
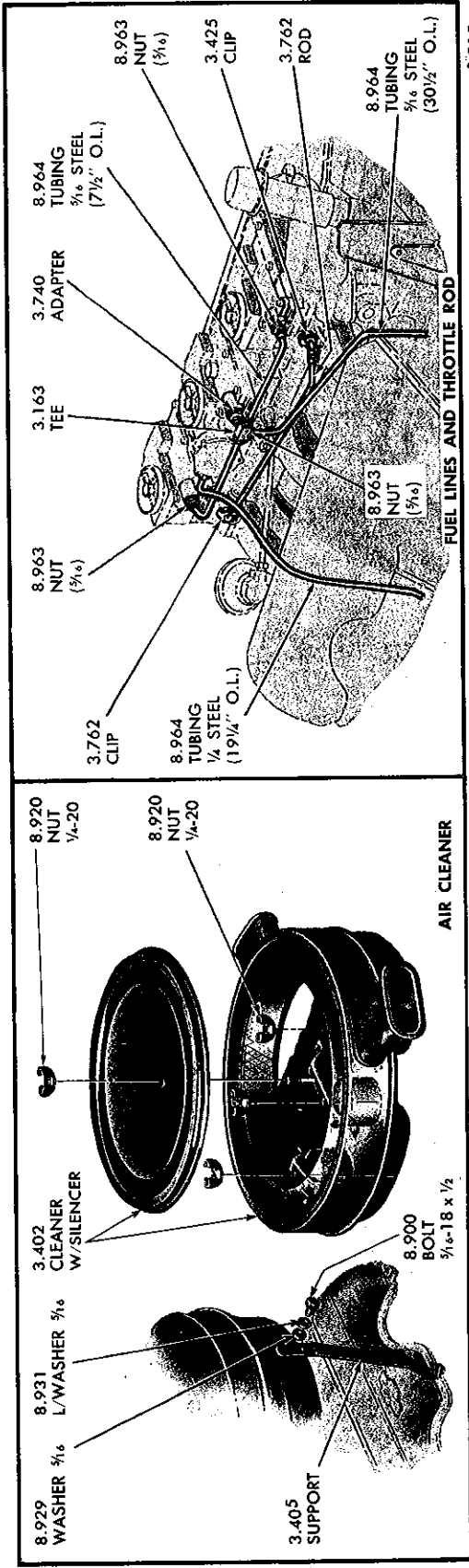


1961-62 FUEL INJECTION-AIR CLEANER

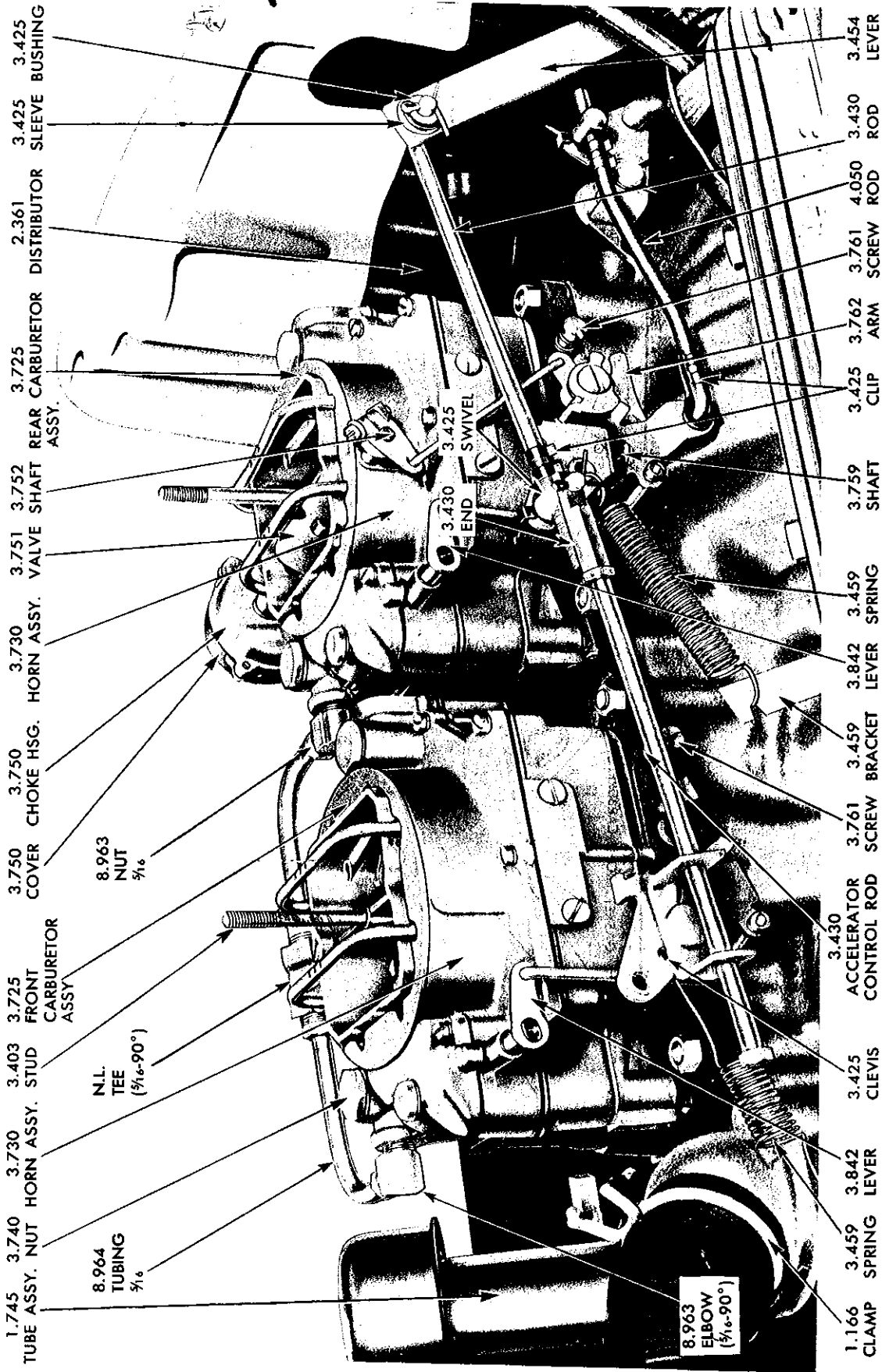
3-92



1965 FUEL INJECTION-AIR CLEANER



1958-61 TRIPLE TWO BARREL CARBURETOR LINKAGE



1.745 3.740 3.730 3.403 3.725 3.750 3.730 3.751 3.752 3.725 2.361 3.425 3.425
 TUBE ASSY. NUT HORN ASSY. STUD FRONT CARBURETOR ASSY. COVER CHOKE HSG. HORN ASSY. VALVE SHAFT REAR CARBURETOR ASSY. DISTRIBUTOR SLEEVE BUSHING

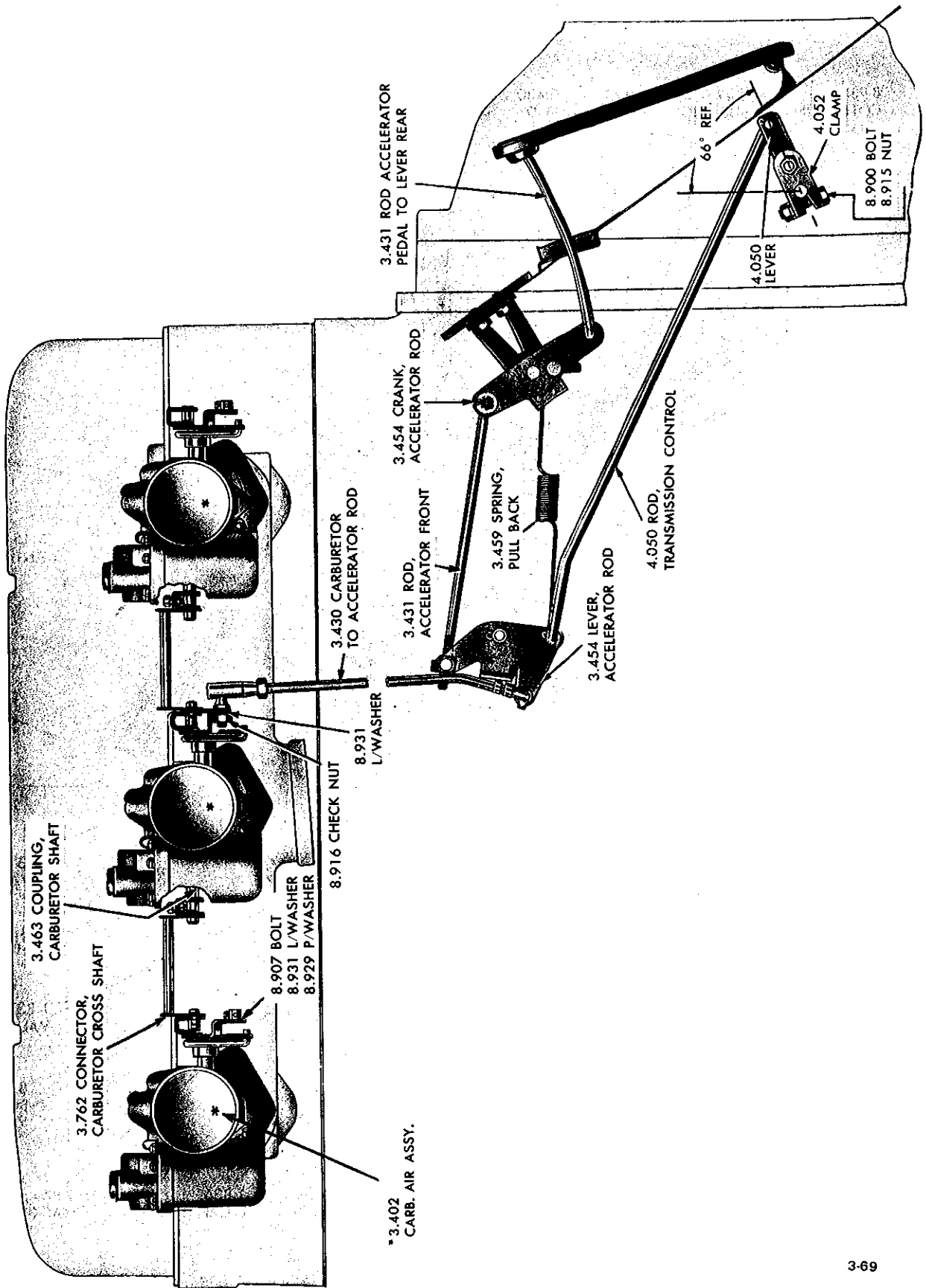
8.964 TUBING $\frac{3}{16}$
 N.L. TEE ($\frac{3}{16}$ -90°)
 8.963 NUT $\frac{3}{16}$

8.963 ELBOW ($\frac{3}{16}$ -90°)

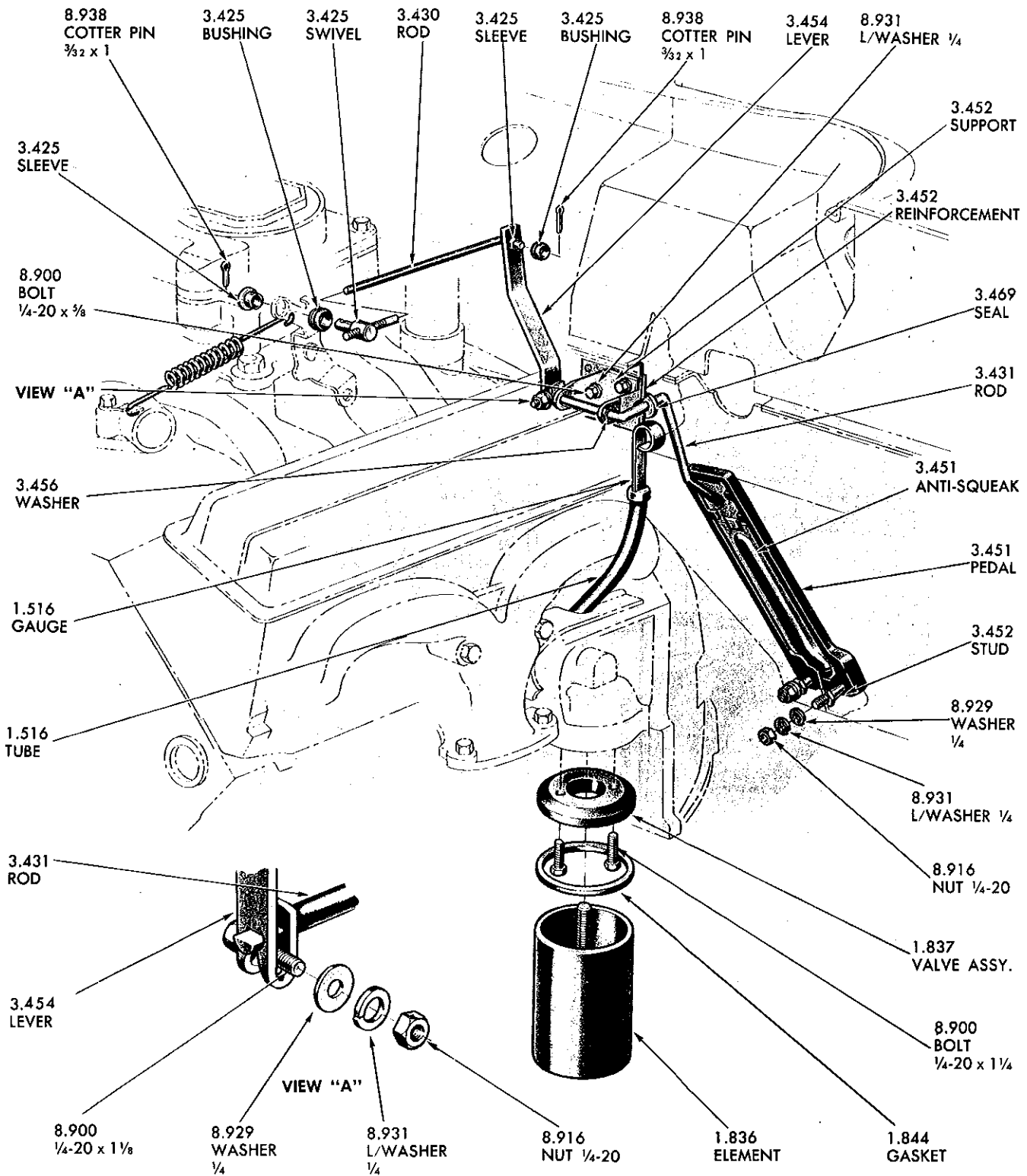
1.166 3.459 3.842 3.425 3.430 3.761 3.459 3.842 3.459 3.759 3.425 3.762 3.761 4.050 3.430 3.454
 CLAMP SPRING LEVER LEVER CLEVIS ACCELERATOR CONTROL ROD SCREW BRACKET LEVER SPRING SHAFT CLIP ARM SCREW ROD LEVER

1956-62 DUAL FOUR BARREL CARBURETOR LINKAGE

© 1975 GM PARTS DIVISION, GENERAL MOTORS CORPORATION — CHEVROLET — 14

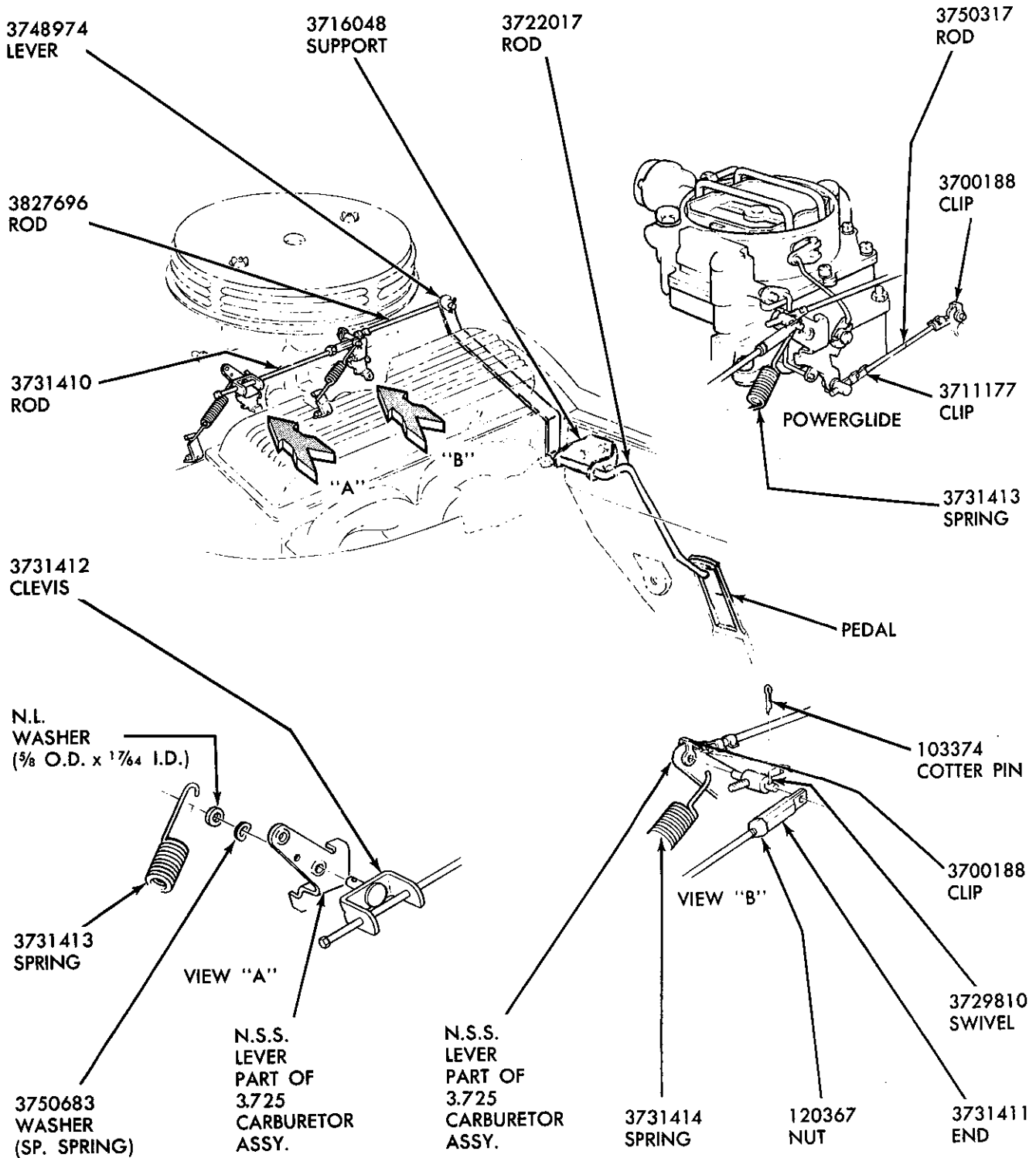


1953-55 CORVETTE 6 CYL. ACCELERATOR LINKAGE

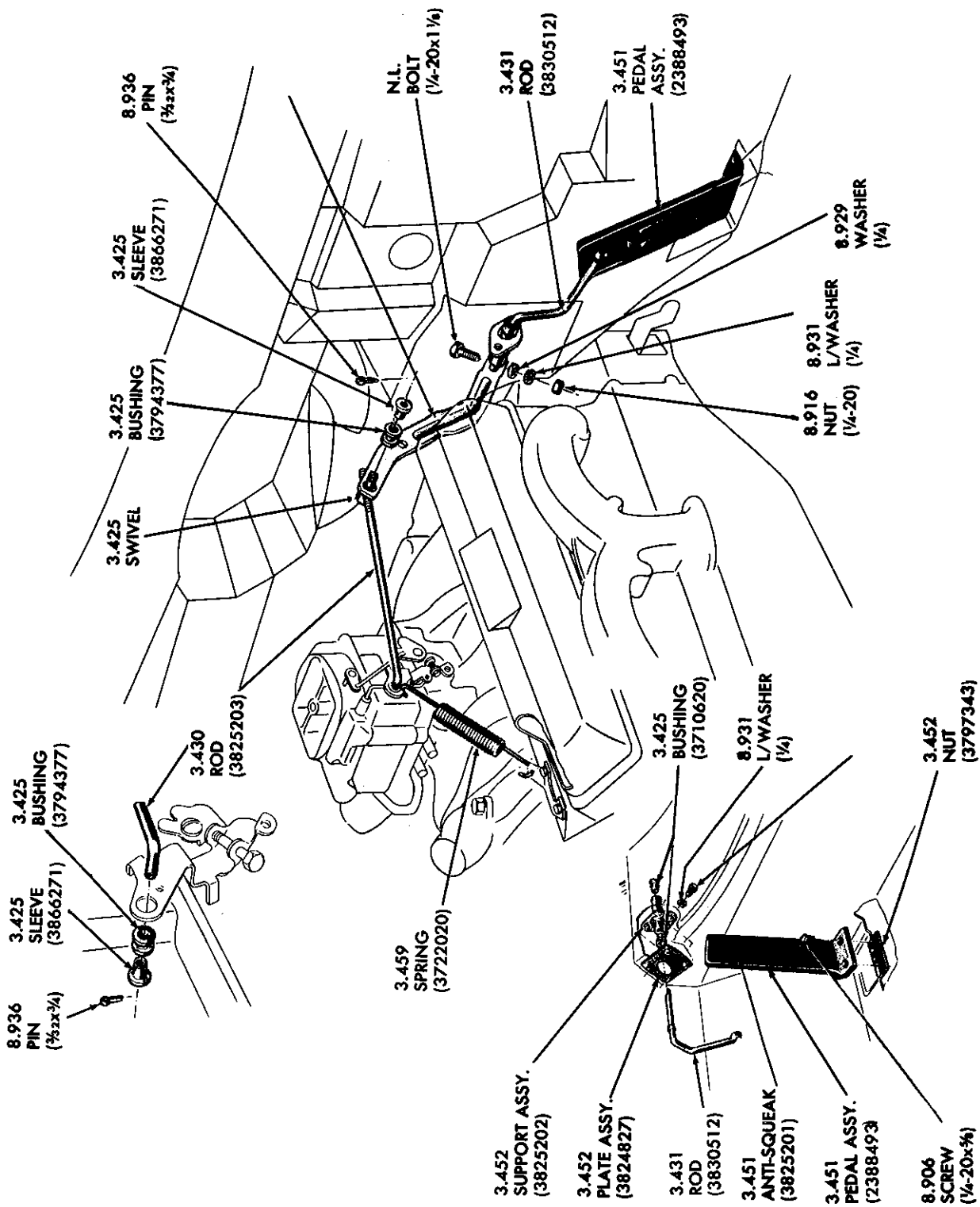


3-27

1958 CORVETTE ACCELERATOR CONTROL LINKAGE

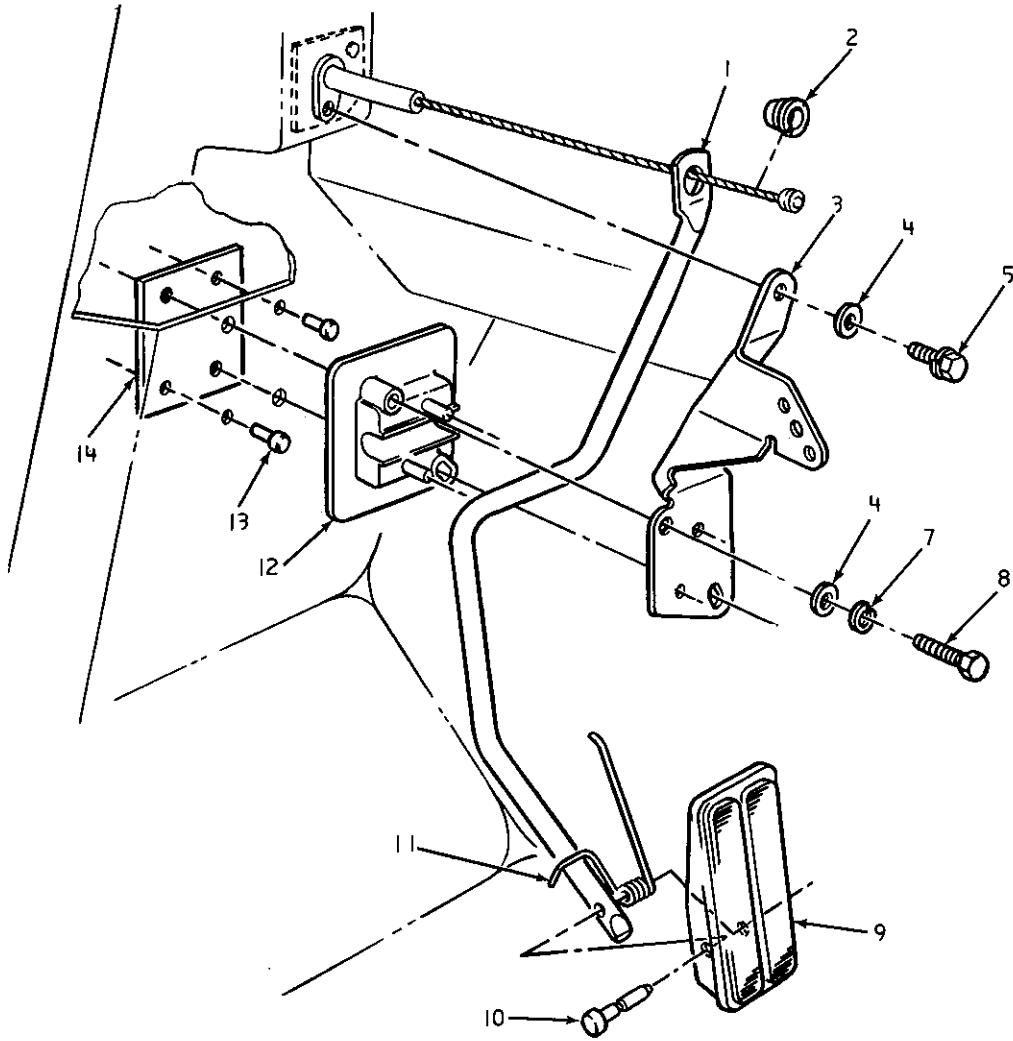


1959-61 CORVETTE ACCELERATOR CONTROL LINKAGE



3-29

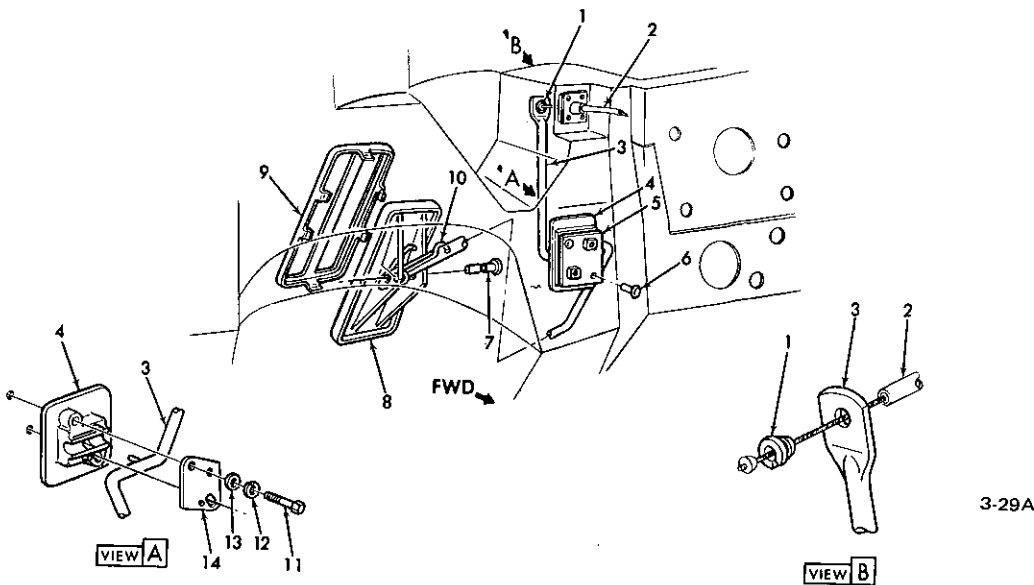
1963-67 CORVETTE ACCELERATOR LINKAGE



3-297

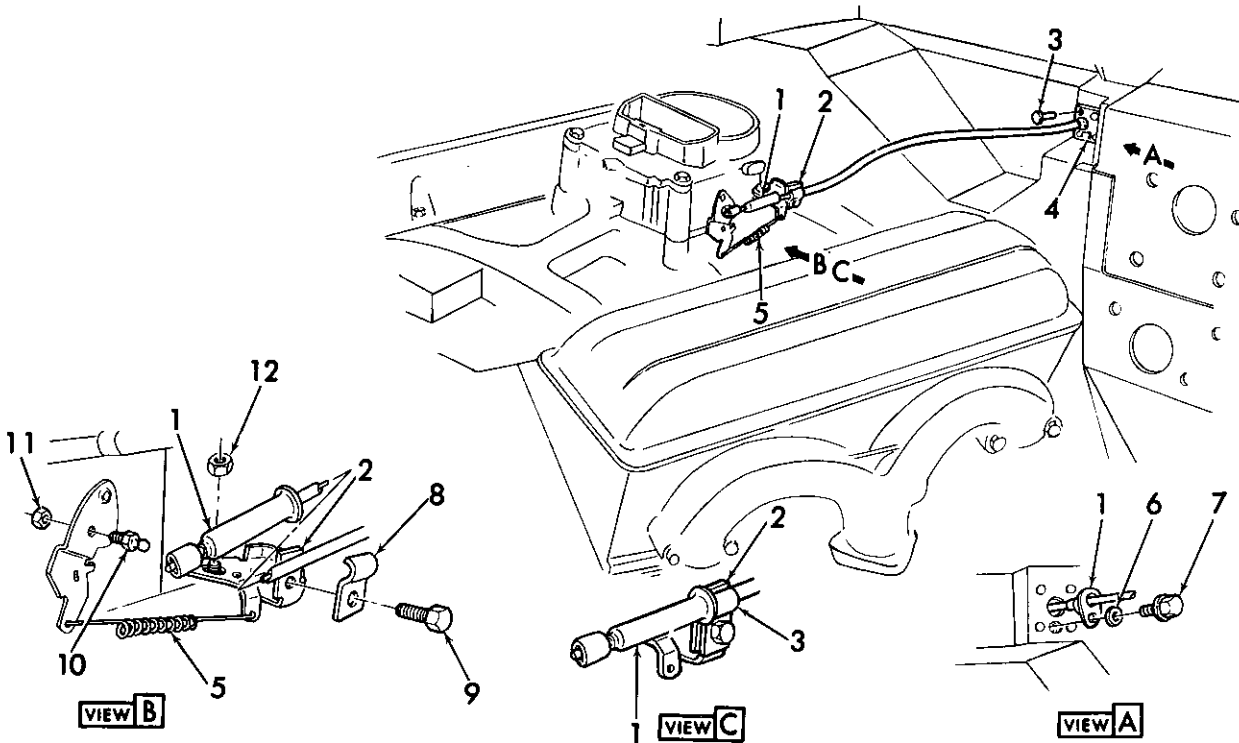
1973-75 CORVETTE ACCELERATION PEDAL ROD AND SUPPORT

- | | |
|---------------------------------------|----------------------------------|
| 1. 3.341 ROD ASSY. | 9. 8.900 BOLT 3/4-20-1 5/8 |
| 2. 3.425 RETAINER, ACC CONT CABLE . . | 10. 3.452 PIN, ACC. PED. |
| 3. 4.060 BRACKET, TRANS CONT SWITCH | 11. 3.459 SPRING, ACC TENSION |
| 4. 8.929 P. WASHER | 12. 3.452 SUPPORT, ACC PEDAL ROD |
| 5. 8.900 BOLT ASM 1/4-20X1 | 13. 8.967 RIVET |
| 7. 8.915 L. WASHER (1/4) | 14. 3.451 PLATE |



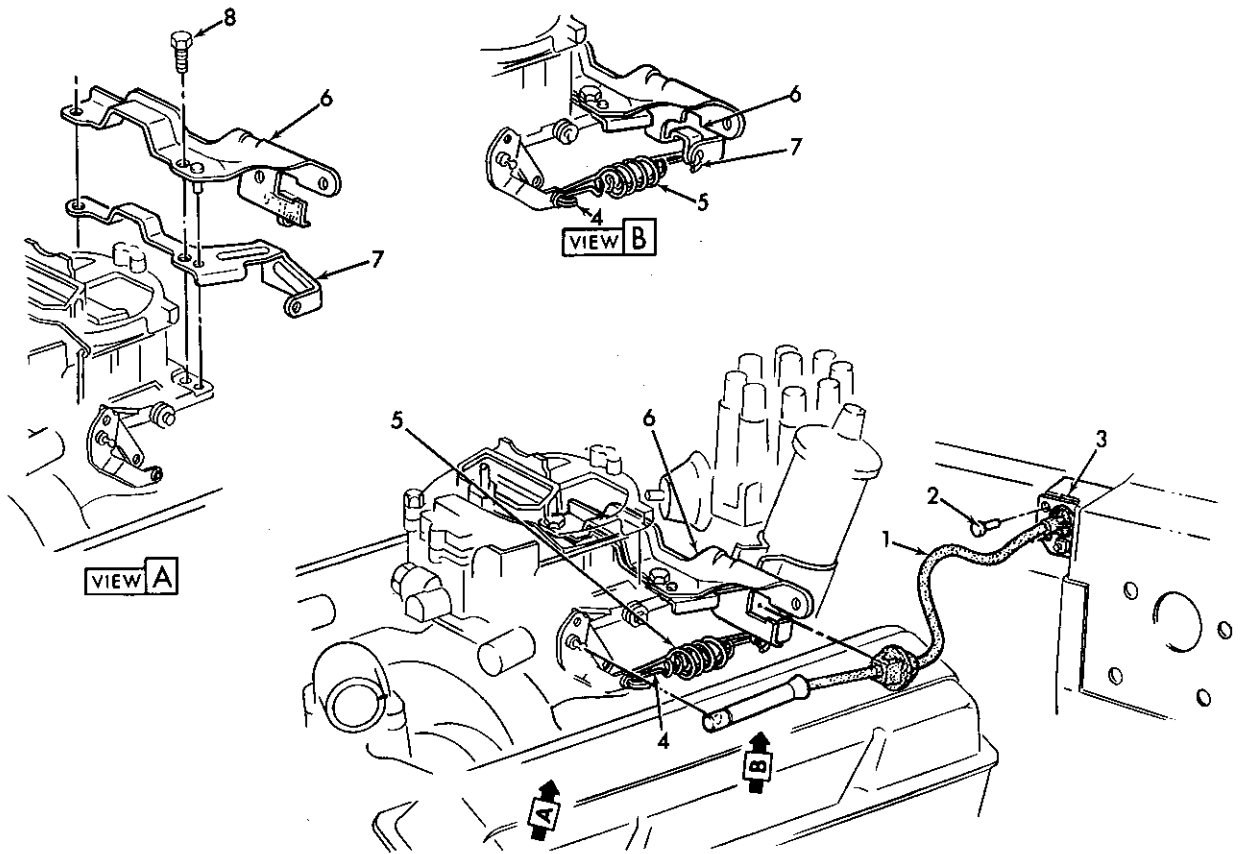
1970-72 CORVETTE ACCELERATOR PEDAL, ROD AND BRACKET

- | | | | |
|------------------------------|---------|--|---------|
| 1. 3.430 RETAINER | 403929 | 8. 3.451 PEDAL | 3920296 |
| 2. 3.430 CABLE ASSY. | 3934091 | 9. 3.451 TRIM PLATE (1968-71). | 3923611 |
| 3. 3.431 ROD ASSY. | 3972622 | 10. 3.459 SPRING | 3909982 |
| 4. 3.452 SUPPORT | 3972620 | 11. 8.900 BOLT (1/4-20 x 1 3/4) | |
| 5. 3.452 PLATE ASSY. | 3919767 | 12. 8.931 L/WASHER (1/4) | |
| 6. 8.967 RIVET | | 13. 8.929 WASHER | |
| 7. 3.452 PIN | 3921677 | 14. 3.451 COVER | 3972621 |



1970-72 CORVETTE ACCELERATOR CONTROL CABLE

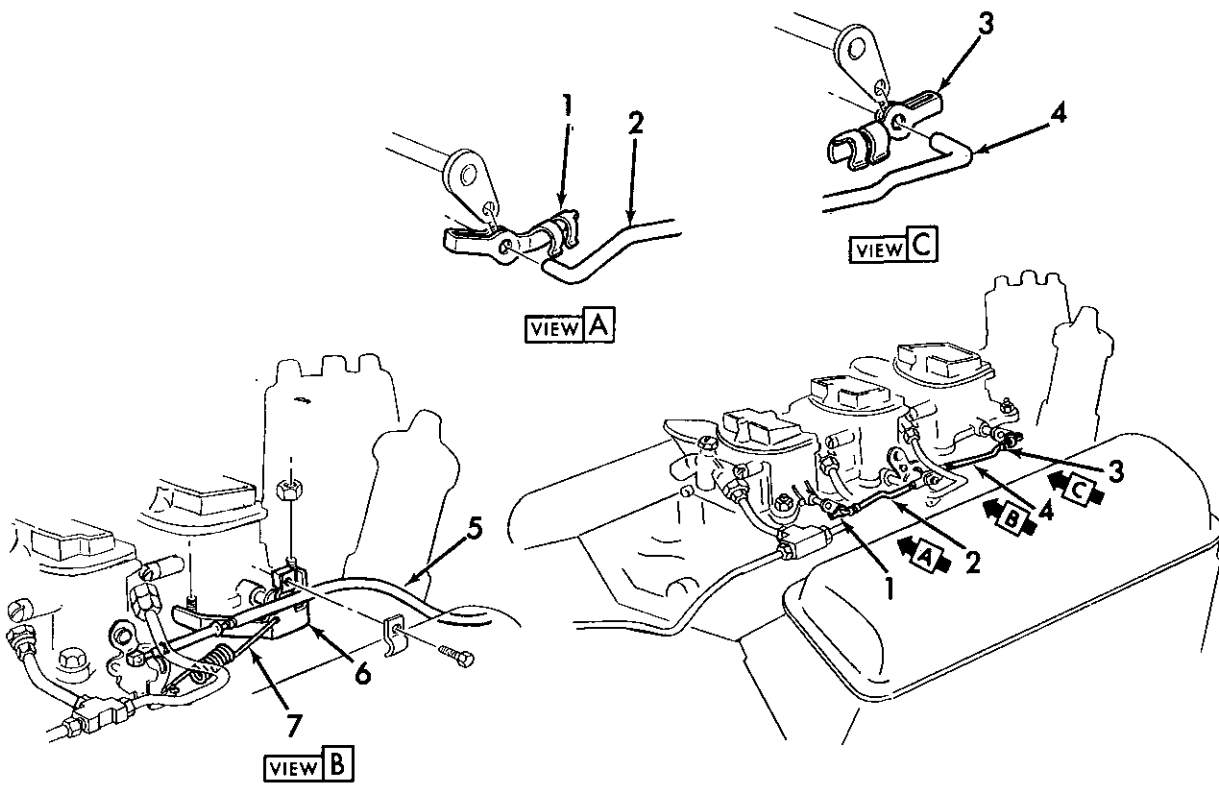
- | | | | |
|------------------------------|---------|-------------------------------|---------|
| 1. 3.430 CABLE ASSY. | 3934091 | 8. 8.932 WASHER (10) | |
| 2. 3.454 BRACKET | 3992386 | 9. 3.425 CLAMP | 3921617 |
| 3. 8.967 RIVET | | 10. 8.900 BOLT (1/4-20 x 1/2) | |
| 4. 3.452 PLATE | 3915747 | 11. 3.452 STUD | 3924414 |
| 5. 3.459 SPRING | 3972624 | 12. 8.915 NUT (1/4-20) | |
| 6. 8.929 WASHER | | 13. 8.915 NUT (5/16-24) | |
| 7. 8.900 BOLT 1/4-20 x 7/8 | | | |



3-309

1973-75 CORVETTE ACCELERATOR CONTROLS

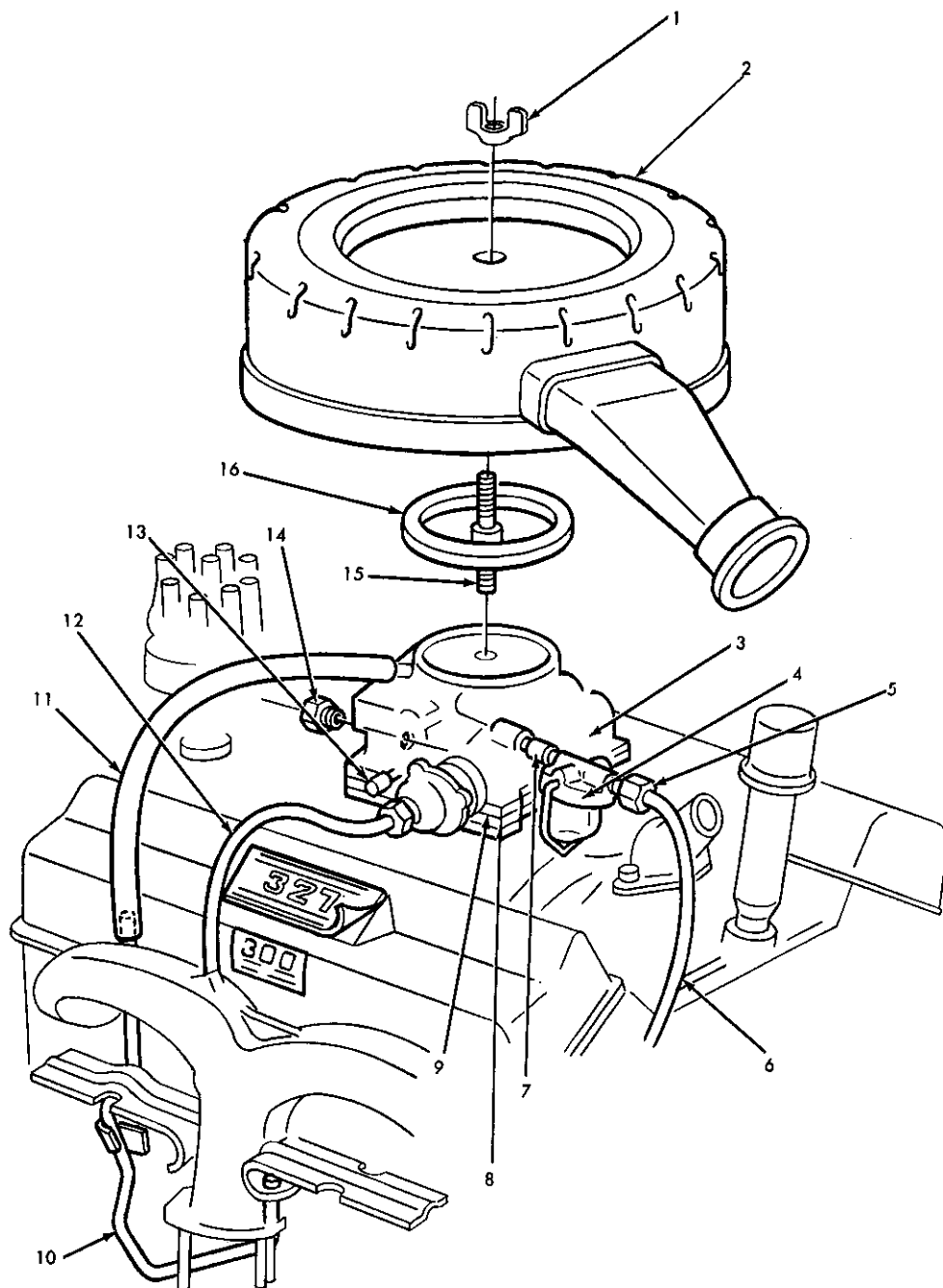
- | | |
|---|--|
| 1. 3.430 CABLE ASSY., accel. control | 5. 3.459 SPRING, accel. pull back (outer) |
| 2. 8.967 RIVET, plate assy. | 6. 3.454 SUPPORT ASSY., accel. control cable |
| 3. 3.451 PLATE ASSY., accel. pedal rod supt. mtg. | 7. 3.459 BRACKET, pull back spring |
| 4. 3.459 SPRING, accel. pull back (inner) | 8. 8.900 BOLT, support assy. |



3-70A

1968-69 CORVETTE CARBURETOR LINKAGE

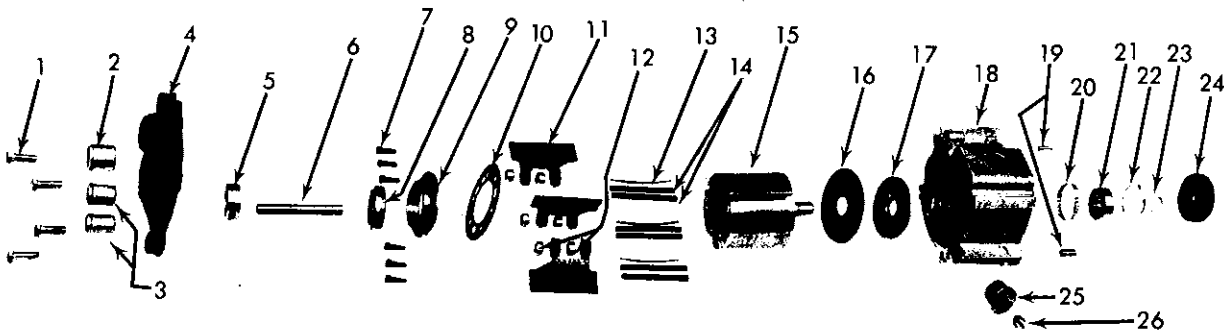
| | | | |
|----------------------------|---------|------------------------|---------|
| 1. 3.752 CLIP | 3931076 | 5. 3.430 CABLE ASSY. | 3973861 |
| 2. 3.762 ROD, Ctr. to Frt. | 3921954 | 6. 3.454 BRACKET ASSY. | 3921613 |
| 3. 3.752 CLIP | 3921961 | 7. 3.459 SPRING | 3972631 |
| 4. 3.762 ROD, Ctr. to Rr. | 3921959 | | |



3-97

327 ENGINE AIR CLEANER & CARB. DETAILS

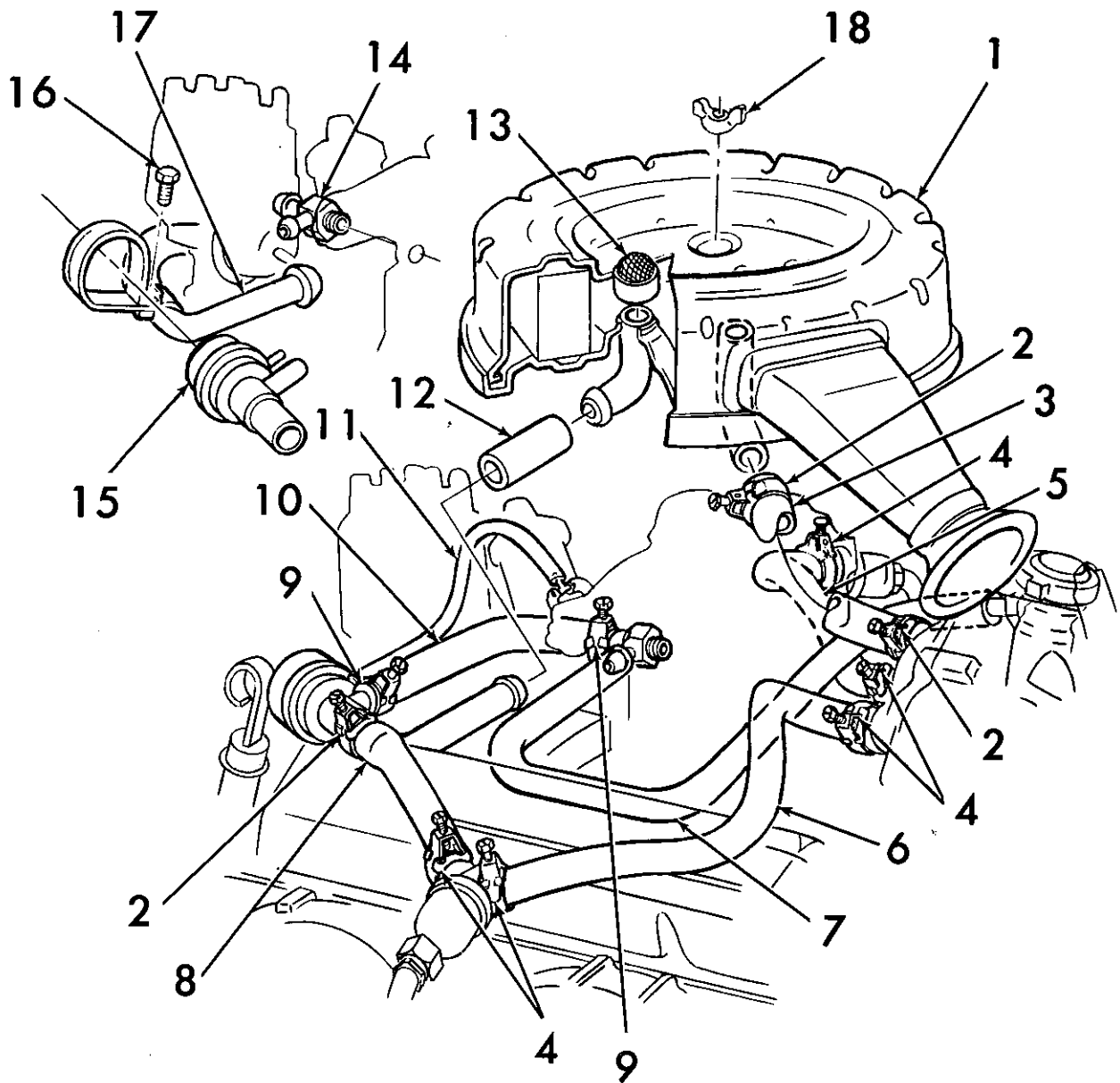
- | | |
|--|---|
| 1. 8.920 WING NUT | 10. 8.964 PIPE ASSY. (1/4 O.D.) |
| 2. 3.402 AIR CLEANER | 11. 2.420 HOSE—cut desired length |
| 3. 3.725 CARB. ASSY. | 12. 8.964 PIPE ASSY.—Choke (exc. H/Per.) cut 10-3/4" |
| 4. 3.890 FILTER ASSY.—Fuel w/H/Per. | 8.964 PIPE ASSY.—Choke (w/H/Per.) cut 11" |
| 5. 8.963 CONNECTOR w/H/Per. (5/16) | 13. 3.726 BAFFLE w/H/Per. |
| 6. 8.964 PIPE ASSY.—Gas (exc. H/Per.) cut 25-3/4 | 14. N.S. ADAPTER w/H/Per. |
| 8.964 PIPE ASSY.—Gas (w/H/Per.) cut 21-3/4 | 15. 8.981 STUD (1/4—20—20 x 9) |
| 7. NIPPLE w/H/Per. (1/8 x 1-7/8) | 16. 3.403 GASKET |
| 8. 3.726 GASKET | |
| 9. 3.726 INSULATOR w/H/Per. | |



3-95

PUMP ASSEMBLY AIR INJECTION REACTOR

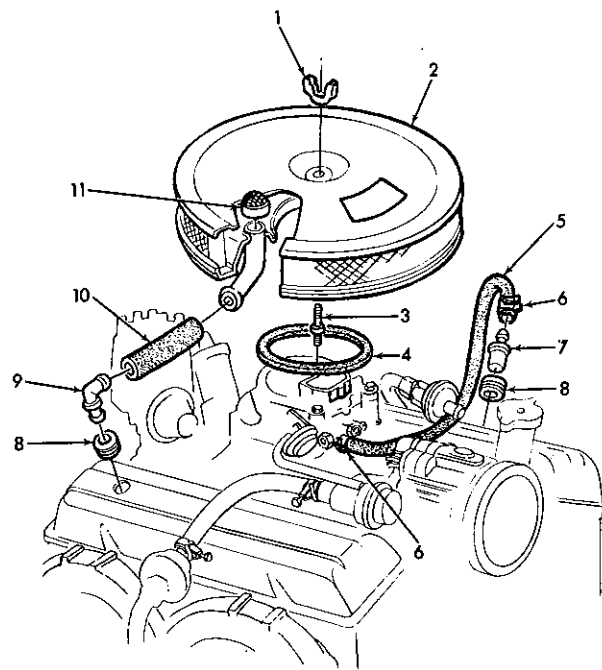
- | | |
|--|--|
| 1. 8.900 BOLT (5/16--18 x 1) | 14. 3.665 SHOE |
| 2. N.S.S. TUBE, Part of 3.660 Cover | 15. N.S.S. ROTOR, Part of 3.660 Pump Assy. |
| 3. N.S.S. TUBE, Part of 3.660 Cover | 16. N.S.S. SEAL, Part of 3.660 Pump Assy. |
| 4. 3.660 COVER, Housing | 17. N.S.S. RING, Part of 3.660 Pump Assy. |
| 5. N.S.S. RACE, Part of 3.660 Cover | 18. N.S.S. HOUSING, Part of 3.660 Pump Assy. |
| 6. N.S.S. PIN, Part of 3.660 Cover | 19. N.S.S. PIN, Part of 3.660 Pump Assy. |
| 7. 3.665 SCREW, Rotor Ring | 20. N.S.S. RING, Part of 3.660 Pump Assy. |
| 8. 3.665 BEARING, Rear | 21. N.S.S. BEARING, Part of 3.660 Pump Assy. |
| 9. N.S.S. RING, Part of 3.665 Bearing | 22. N.S.S. RING, Part of 3.660 Pump Assy. |
| 10. 3.665 SEAL | 23. N.S.S. SPACER, Part of 3.660 Pump Assy. |
| 11. 3.665 VANE | 24. N.S.S. HUB, Part of 3.660 Pump Assy. |
| 12. N.S.S. BEARING, Part of 3.665 Vane | 25. 3.670 VALVE ASSY., Relief |
| 13. 3.665 SPRING, Shoe | 26. 3.670 PLUG, Pressure Setting |



3-127

**1966-67 AIR INJECTION REACTOR, AIR CLEANER AND HOSES
(8 CYLINDER)**

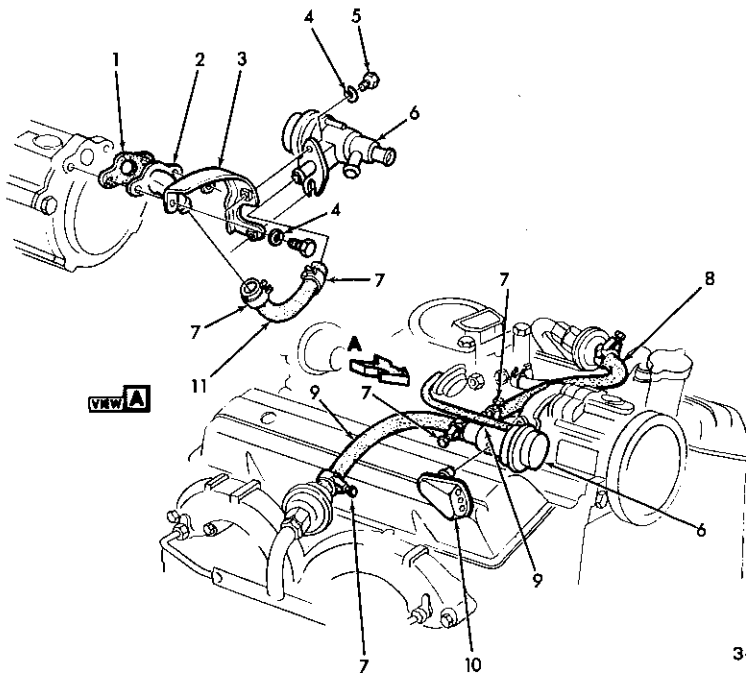
- | | |
|-------------------------------|--------------------------------|
| 1. 3.402 CLEANER | 10. 3.675 HOSE (5/8 I.D.) |
| 2. 3.670 VALVE ASSY. | 11. 8.962 HOSE (5/32 I.D.) |
| 3. 1.166 CLAMP | 12. 1.762 HOSE (5/16 I.D. x 3) |
| 4. 3.675 HOSE | 13. 1.745 ARRESTOR-FLAME |
| 5. 3.670 STRAP | 14. 1.745 TEE ASM. |
| 6. 8.900 SCREW (#10-24 x 5/8) | 15. 3.670 VALVE ASM. |
| 7. 1.166 CLAMP | 16. 8.900 SCREW (#10-24 x 5/8) |
| 8. 3.675 HOSE (INLET) | 17. 1.762 TUBE ASM. |
| 9. 3.675 HOSE (OUTLET) | 18. 8.920 WING NUT (1/4-20) |



3-121

1968 CORVETTE AIR CLEANER AND VENT HOSES

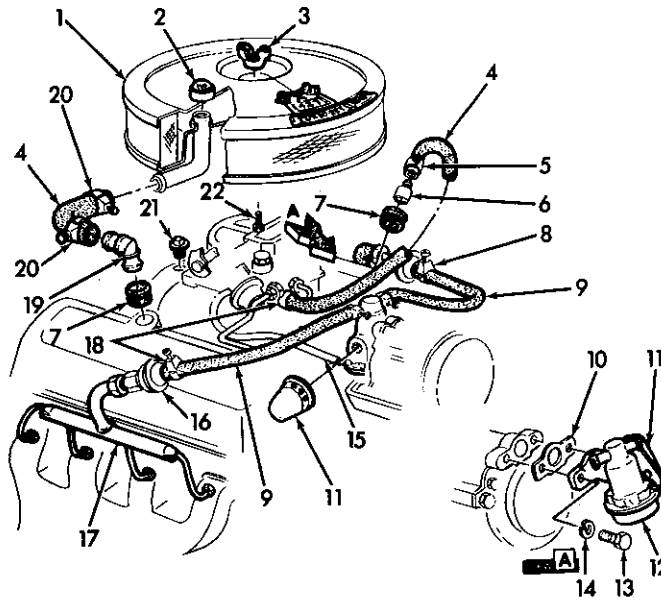
- | | |
|----------------------|----------------------|
| 1. 8.920 NUT | 7. 1.745 VALVE ASSY. |
| 2. 3.402 AIR CLEANER | 8. 1.746 GROMMET |
| 3. 3.403 STUD | 9. 1.745 CONNECTOR |
| 4. 3.163 GASKET | 10. 1.762 HOSE |
| 5. 1.762 HOSE | 11. 1.745 ARRESTOR |
| 6. 1.750 CLAMP | |



3-122

1968 CORVETTE DIVERTER VALVE AND A.I.R. HOSES

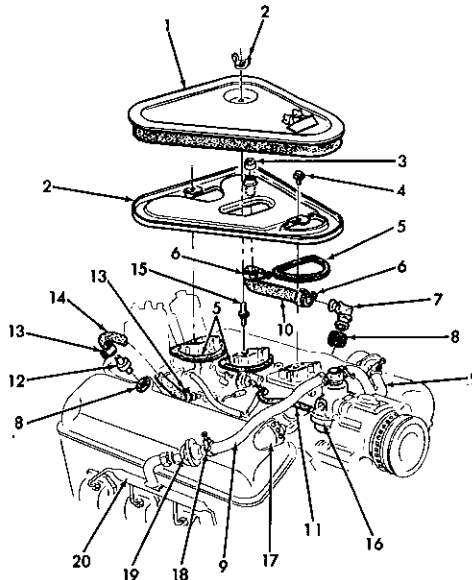
- | | |
|------------------------------|-------------------------|
| 1. 3.670 GASKET | 7. 1.166 CLAMP |
| 2. 3.675 ELBOW | 8. 3.675 HOSE |
| 3. 3.670 BRACKET ASSY. | 9. 8.962 HOSE |
| 4. 8.931 L/WASHER (1/4) | 10. 3.672 MUFFLER ASSY. |
| 5. 8.900 BOLT (1/4-20 x 5/8) | 11. 3.675 HOSE |
| 6. 3.670 VALVE ASSY. | |



3-119

1968 CORVETTE "427" DIVERTER VALVE AND A.I.R. HOSES

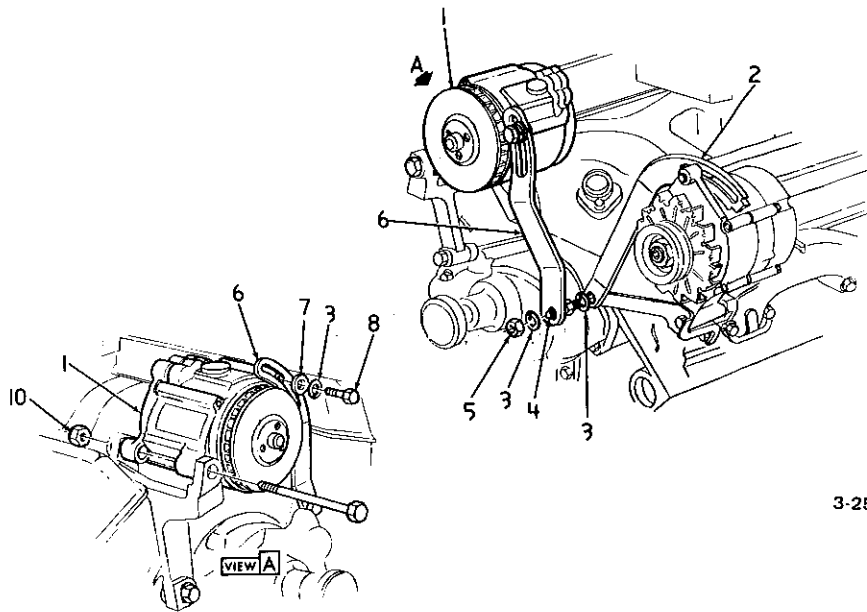
- | | |
|-------------------------|-------------------------------|
| 1. 3.402 AIR CLEANER | 12. 3.670 VALVE ASSY. |
| 2. 1.745 ARRESTOR | 13. 8.900 BOLT (1/4-20 x 5/8) |
| 3. 8.920 NUT | 14. 8.931 L/WASHER (5/8) |
| 4. 1.762 HOSE | 15. 8.962 HOSE |
| 5. 1.750 CLAMP | 16. 3.670 VALVE ASSY. |
| 6. 1.745 VALVE ASSY. | 17. 3.675 PIPE ASSY. |
| 7. 1.745 GROMMET | 18. 1.750 CLAMP |
| 8. 1.750 CLAMP | 19. 1.745 CONNECTOR |
| 9. 3.675 HOSE | 20. N.L. CLAMP |
| 10. 3.670 GASKET | 21. 8.971 PLUG (3/8) |
| 11. 3.672 MUFFLER ASSY. | 22. 3.403 STUD |



3-120

1968 CORVETTE 3 x 2 AIR CLEANER AND A.I.R. HOSES

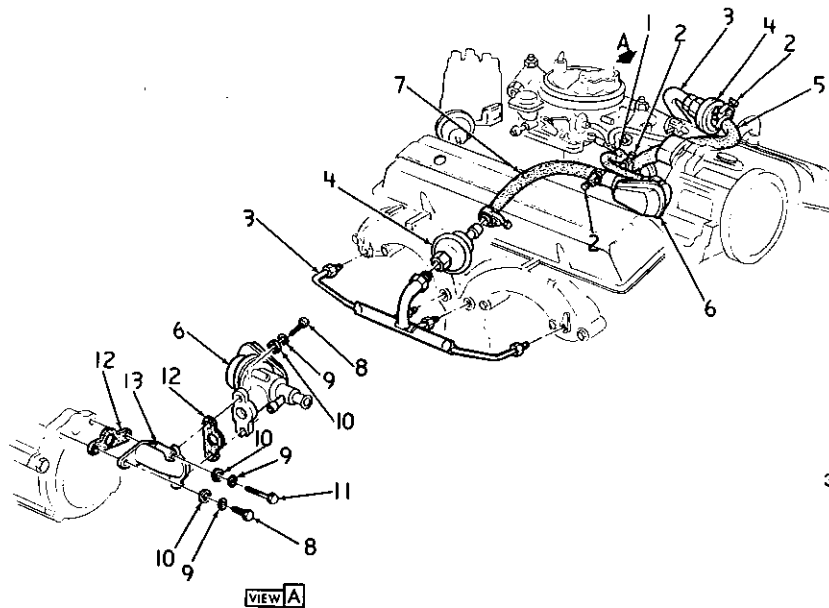
- | | |
|-------------------------------|-------------------------|
| 1. 3.402 AIR CLEANER | 11. 8.962 HOSE |
| 2. 8.920 NUT | 12. 1.745 VALVE ASSY. |
| 3. 1.745 ARRESTOR | 13. 1.750 CLAMP |
| 4. 8.900 SCREW (1/4-20 x 3/4) | 14. 1.762 HOSE |
| 5. 3.163 GASKET | 15. 3.403 STUD |
| 6. 1.166 CLAMP | 16. 3.670 VALVE ASSY. |
| 7. 1.745 CONNECTOR | 17. 3.672 MUFFLER ASSY. |
| 8. 1.745 GROMMET | 18. 1.750 CLAMP |
| 9. 3.675 HOSE | 19. 3.670 VALVE ASSY. |
| 10. 1.762 HOSE | 20. 3.675 PIPE ASSY. |



3-259

1970-73 CORVETTE V-8 ENG. 350 A.I.R. PUMP MOUNTING

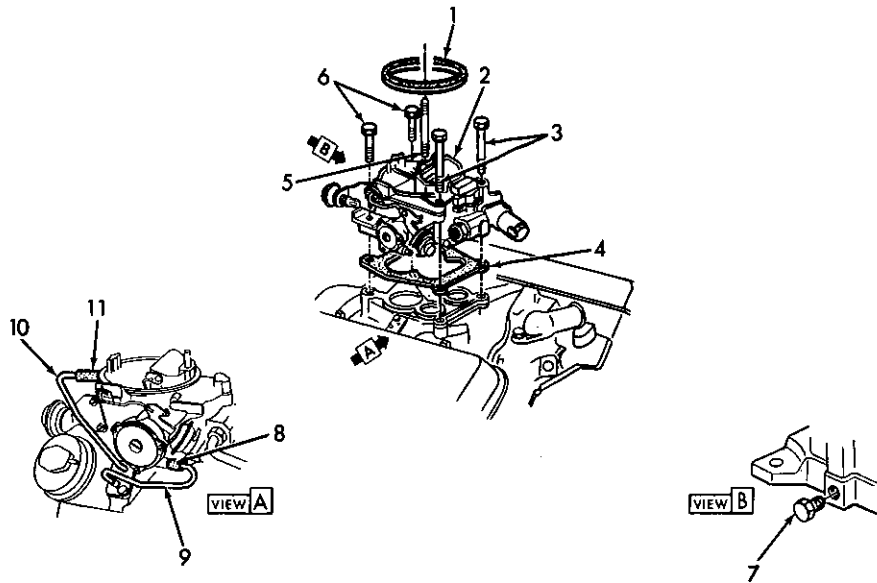
- | | | | |
|--------------------------|---------|--------------------------------|---------|
| 1. 3.660 PUMP ASSY. | 7803948 | 6. 3.655 BRACE | 3933093 |
| 2. 2.317 BRACE | 3881816 | 7. 8.929 WASHER (3/8) | |
| 3. 8.931 WASHER (3/8) | | 8. 8.900 BOLT (3/8-16 x 1) | |
| 4. 1.073 STUD | 3877646 | 9. 8.900 BOLT (3/8-16 x 5 1/4) | |
| 5. 8.915 NUT (3/8-16) | | 10. 8.917 NUT (3/8-16) | |



3-260

1970-74 CORVETTE 350 SPEC. H/P DIVERTER VALVE

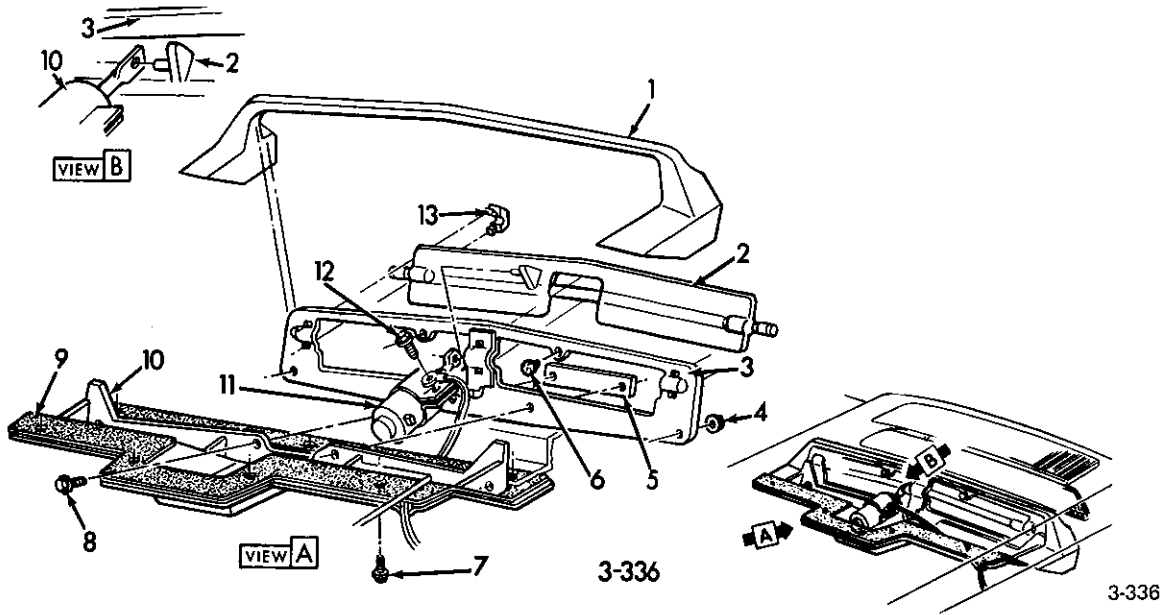
- | | |
|--------------------------------------|--------------------------------------|
| 1. 8.962 HOSE (Cut as required) | 7. 8.962 HOSE R.H. (Cut as required) |
| 2. 1.166 CLAMP | 8. 8.900 BOLT (1/4-20 x 3/4) |
| 3. 3.675 PIPE ASSY. L.H. | 9. 8.931 WASHER (1/4) |
| 3.675 PIPE ASSY. R.H. | 10. 8.929 WASHER (17/64-5/8 x 1/16) |
| 4. 3.670 VALVE ASSY. | 11. 8.900 BOLT (1/4-20) |
| 5. 8.962 HOSE L.H. (Cut as required) | 12. 3.670 GASKET |
| 6. 3.670 DIVERTER VALVE | 13. 3.675 ELBOW |



3-333

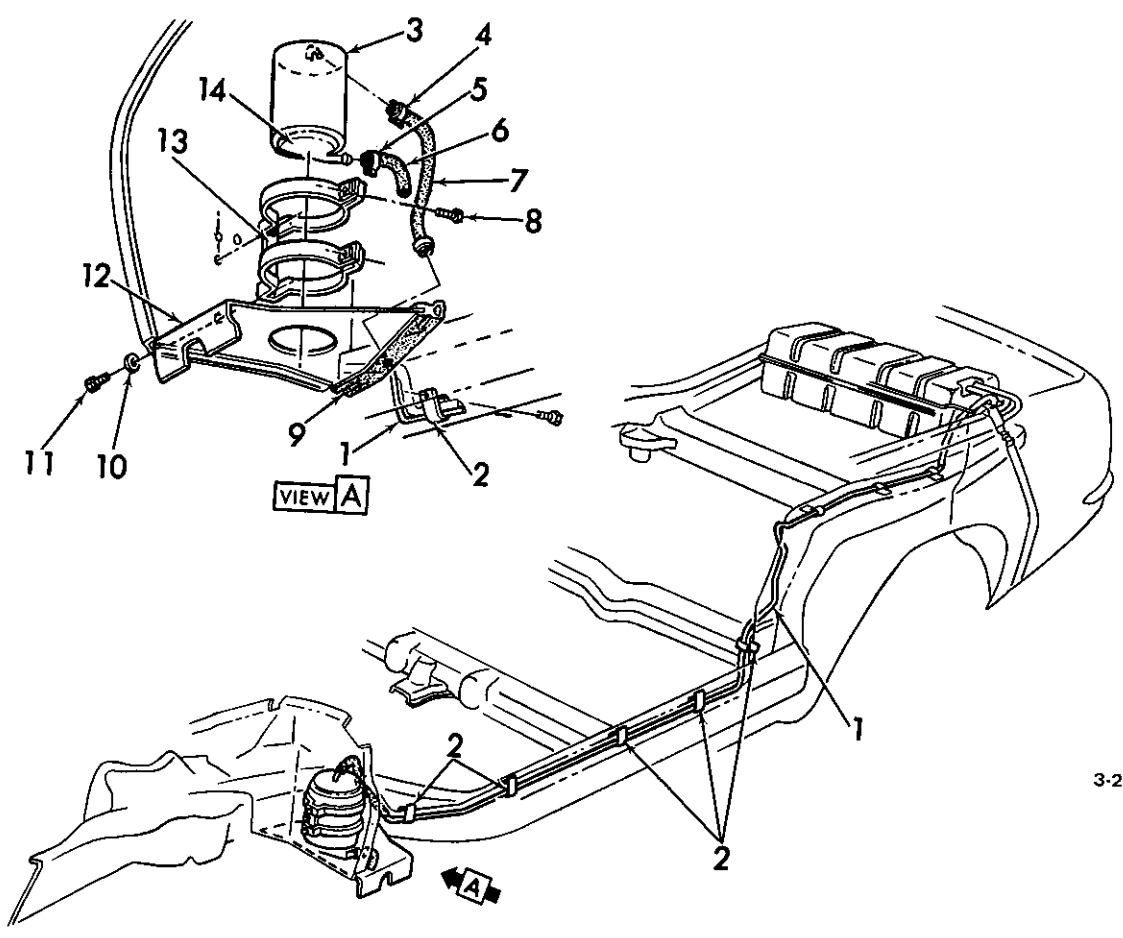
1975 CORVETTE CARBURETOR & CHOKE PIPES

- | | | | | | |
|----|-------|--------------------------------|-----|-------|-------------------------|
| 1. | 3.402 | GASKET, air cleaner & silencer | 7. | 8.971 | PLUG, carb. vacuum hole |
| 2. | 3.725 | CARB. ASSY. (typical) | 8. | 4.205 | HOSE, choke-spec. 15/64 |
| 3. | 8.900 | BOLT, carb. frt. | 9. | | PIPE, carb. choke |
| 4. | 3.726 | INSULATOR ASSY., carb. heat | 10. | | PIPE, carb. fresh air |
| 5. | 3.403 | STUD, air cleaner | 11. | 8.962 | HOSE, fresh air 7/32 |
| 6. | 8.900 | BOLT, carb. rr. | | | |



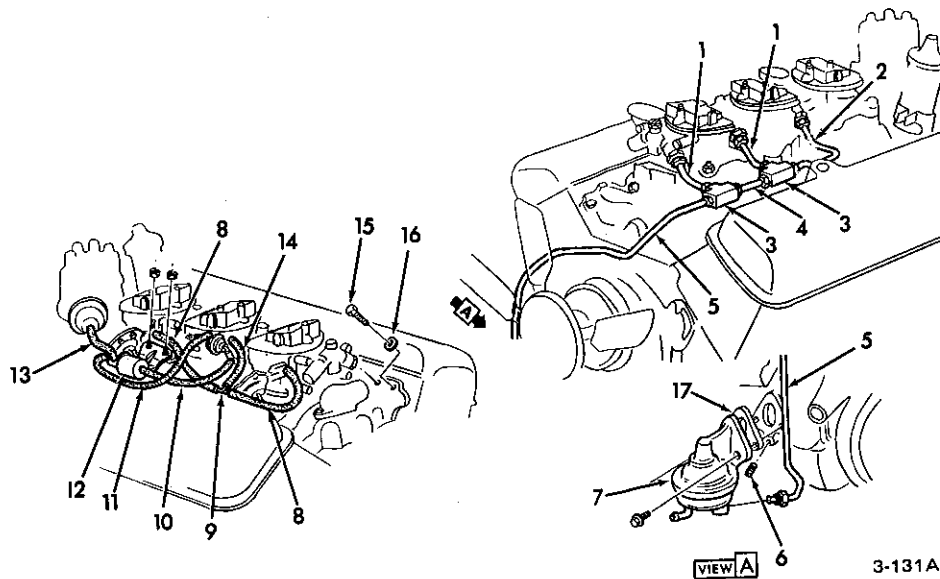
1975 CORVETTE CARBURETOR AIR CONTROL

- | | | | | | |
|----|-------|-----------------------------------|-----|-------|------------------------------------|
| 1. | 3.417 | SEAL, carb. air cont. vlv. | 8. | 8.977 | SCREW ASSY |
| 2. | 3.415 | VALVE, carb. air cont. | 9. | 3.417 | GASKET, carb. air cont. vlv. carr. |
| 3. | 3.415 | FRAME ASSY., carb. air cont. vlv. | 10. | 3.757 | CARRIER, carb. air cont. vlv. |
| 4. | 8.932 | NUT, hx. #10-24 | 11. | 3.415 | SOLENOID ASSY., carb. air cont. |
| 5. | 3.757 | PLATE, frm. to carb. top | 12. | 8.977 | SCREW |
| 6. | 2.670 | PLUG, 1/4 | 13. | 3.415 | RETAINER, carb. air cont. vlv. |
| 7. | 8.900 | BOLT ASSY., 1/4-20 x 13/16 | | | |



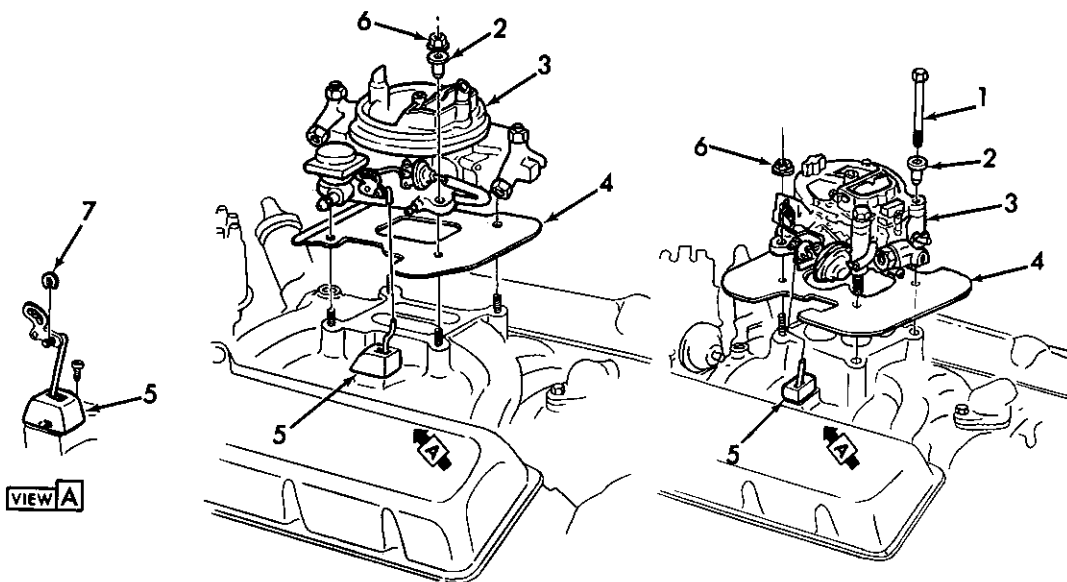
**1970-74 CORVETTE EVAPORATOR EMISSION CONTROL SYSTEM
FUEL, VAPOR LINES AND CANISTER**

| | | | | | | | |
|----|-------|--|---------|-----|-------|----------------------|---------|
| 1. | 8.964 | TUBE (1/4) | | 7. | 8.962 | HOSE (5/16) | |
| 2. | 3.162 | CLIP | 3923695 | 8. | 2.729 | SCREW | 3834926 |
| 3. | 3.130 | CANNISTER exc. EEC, Spec. H/Per. 350 & H.D. 454 | 7036966 | 9. | 8.154 | SEAL | 3827365 |
| | 3.130 | CANNISTER w/EEC, Spec. H/Per. 350 and 454 | 7036969 | 10. | 8.929 | WASHER | |
| 4. | 1.166 | CLAMP | 2494772 | 11. | 8.900 | BOLT (5/16-18 x 3/4) | |
| 5. | 1.166 | CLIP | 1470029 | 12. | 8.154 | SHIELD ASSY. | 3974017 |
| 6. | 8.962 | HOSE | | 13. | 3.130 | STRAP ASSY. | 3970275 |
| | | | | 14. | 3.130 | DRAIN CAP | 7028046 |



1970-71 454 CU. IN. 3 x 2 BBL. FUEL PIPES AND PUMP

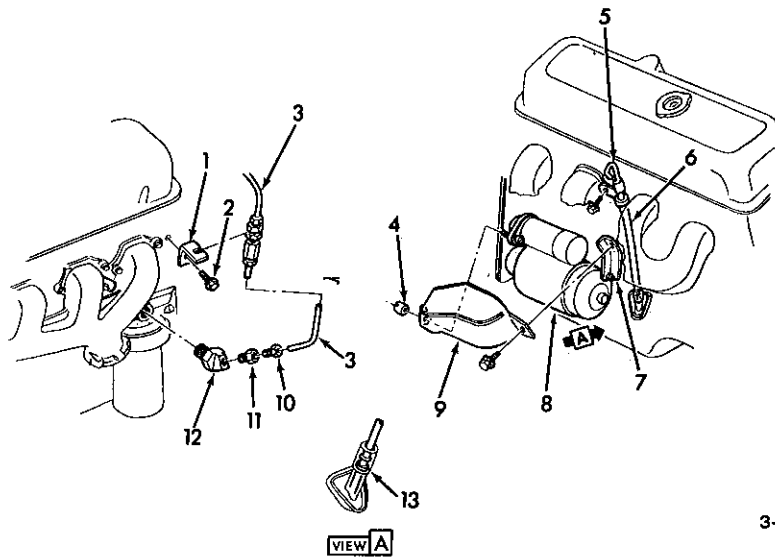
| | | | |
|-----------------------------|---------|----------------------------------|---------|
| 1. 8.964 PIPE | | 10. 2.420 HOSE | |
| 2. 8.964 PIPE | | 11. 2.420 HOSE | 3951436 |
| 3. 8.963 TEE | 178661 | 12. 2.408 SOLENOID ASSY. | 1114433 |
| 4. 8.964 PIPE | | 13. 2.420 HOSE | 3951436 |
| 5. 8.964 PIPE | | 14. 8.971 PLUG (3/8-18) | |
| 6. 8.971 PLUG (3/8-18) | | 15. 8.900 BOLT | |
| 7. 3.900 PUMP ASSY. | 6470309 | 16. 8.929 WASHER | |
| 8. 2.420 HOSE | | 17. 3.904 GASKET | 3705042 |
| 9. 10.155 TEE | 3760758 | | |



3-129A

**1970 CORVETTE EVAPORATIVE EMISSION CONTROL SYSTEM
CARBURETOR INSULATOR AND HEAT SHIELD (exc. 454 Cu. In.)**

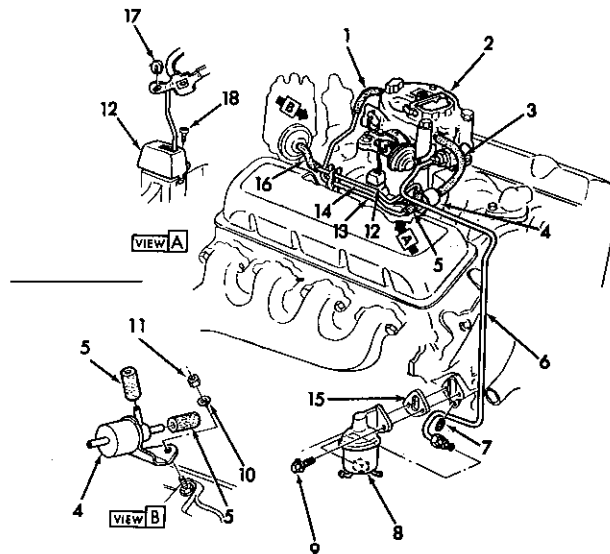
| | | | |
|------------------------------------|---------|---|---------|
| 1. 8.981 BOLT (5/16-18 x 3 7/8) | | 3.726 INSULATOR ASSY. (LT1 & LS7) . . . | 3969835 |
| 2. 3.726 INSULATOR | 3967466 | 5. 3.750 CHOKE ASSY. | |
| 3. 3.725 CARBURETOR UNIT | 7047009 | 6. 8.916 NUT (5/16-24) | |
| 3.725 CARBURETOR ASSY. | 3967487 | 7. 8.934 RETAINER (12) | |
| 4. 3.726 INSULATOR ASSY. | 3969837 | | |



3-132

1970-72 CORVETTE 454 OIL PRESSURE PIPE AND GAUGE

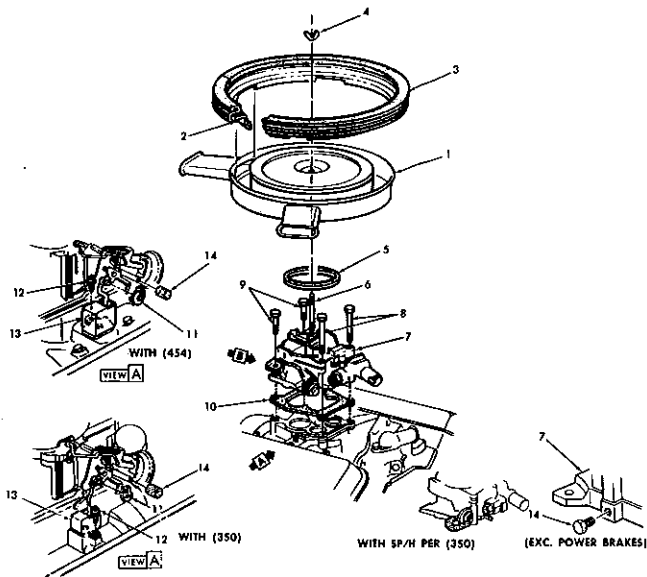
| | | | | | | | |
|----|-------|-------------------------|---------|-----|-------|-------------------|---------|
| 1. | 1.803 | BRACKET | 3954228 | 8. | 2.041 | MOTOR ASSY. START | 1108400 |
| 2. | 0.679 | SCREW ASSY. | 3817006 | 9. | 2.104 | SHIELD | 3943647 |
| 3. | 1.803 | PIPE ASSY. Oil Pressure | 3961560 | 10. | 8.963 | SLEEVE (1/8) | |
| 4. | 2.104 | NUT Spl. | 3943648 | 11. | 1.531 | CONNECTOR | 3853958 |
| 5. | 1.516 | GAGE ASSY. | 3981088 | 12. | 1.803 | ELBOW | 3954219 |
| 6. | 1.516 | TUBE ASSY. | 3981098 | 13. | 8.955 | SEAL (1/4) | |
| 7. | 2.077 | BRACE | 3965588 | | | | |



3-133

1970-74 CORVETTE "454" CARBURETOR FUEL, SPARK PIPES AND HOSES

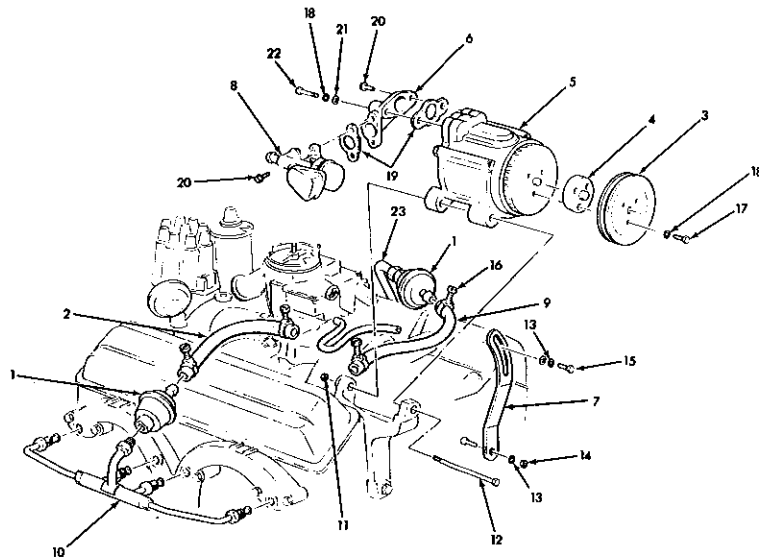
| | | | | | |
|----|-------|-----------------|-----|-------|----------------------------|
| 1. | 8.962 | HOSE | 10. | 8.929 | WASHER (9/16) |
| 2. | 3.725 | CARBURETOR UNIT | 11. | 8.915 | NUT (5/16-18) |
| 3. | 2.420 | HOSE | 12. | N.S. | CHOKE ASM. See Group 3.750 |
| 4. | 2.408 | SOLENOID ASM. | 13. | 8.964 | PIPE |
| 5. | 8.962 | HOSE | 14. | 8.964 | PIPE |
| 6. | 8.964 | PIPE ASM. | 15. | 3.904 | GASKET |
| 7. | 8.971 | PLUG (3/8) | 16. | 8.962 | HOSE |
| 8. | 3.900 | FUEL PUMP ASM. | 17. | 8.934 | RETAINER |
| 9. | 3.901 | SCREW ASM. | 18. | 8.906 | SCREW (10-24 x 1/4) |



3-306

1974 CORVETTE AIR CLEANER AND SEAL, CARBURETOR AND CHOKE

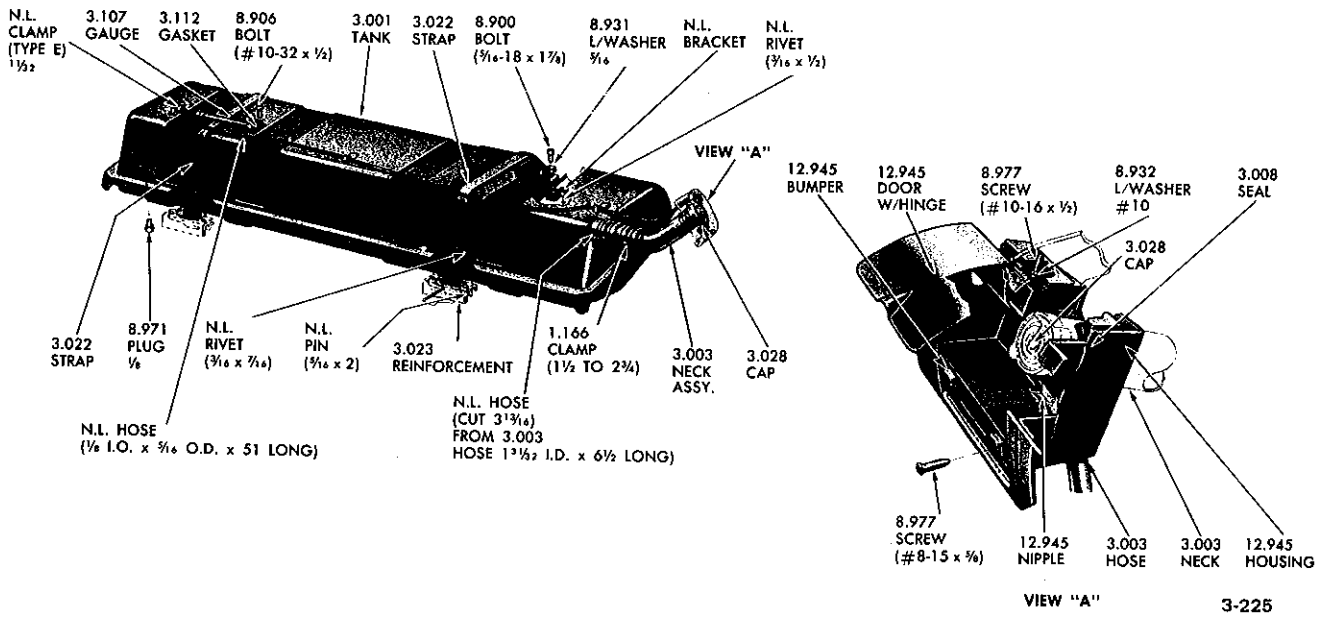
- | | |
|---|---|
| 1. 3.402 AIR CLEANER ASSY., w/silencer | 9. 8.900 BOLT, carb. rear (5/16-18 x 1-1/4") |
| 2. 3.406 FLANGE, air cleaner seal | 10. 3.726 INSULATOR ASSY., carb. heat |
| 3. 3.417 SEAL, air cleaner to hood | 11. 3.425 CLIP, auto. choke rod |
| 4. 8.920 NUT, wing, air cleaner stud | 12. 8.913 SCREW ASSY., auto. choke therm. cover and rod to inl. manif. (#10-24 x 1/2) |
| 5. 3.402 GASKET, air cleaner and silencer | 13. N.S. CHOKE ASSY., auto. |
| 6. 3.403 STUD, air cleaner | 14. 8.971 PLUG, carb. vacuum hole (1/4") |
| 7. 3.725 CARBURETOR ASSY. | |
| 8. 8.900 BOLT, carb. front (5/16-18 x 3-3/4") | |



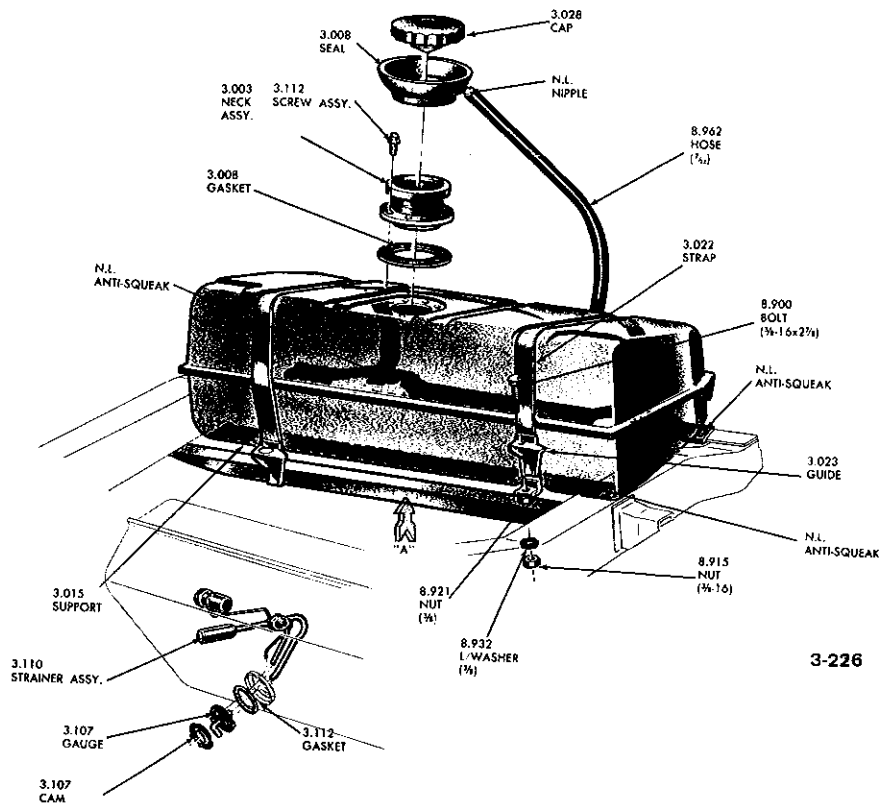
3-20

1974-75 CORVETTE AIR INJECTOR REACTOR (A.I.R.)

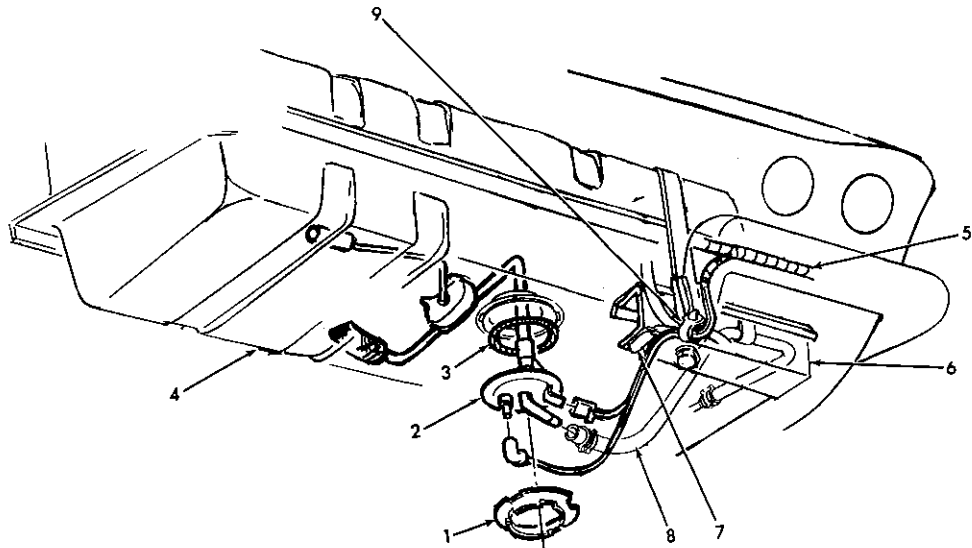
- | | |
|--|---|
| 1. 3.670 VALVE ASSY.—air injection check | 13. 8.931 WASHER—spring type |
| 2. 8.963 HOSE | 14. 8.900 NUT—hex. 3/8"—16 |
| 3. 3.650 PULLEY—air injector reactor | 15. 8.900 BOLT—hex. 3/8"—16 |
| 4. 3.650 SPACER—pulley pump | 16. 9.214 CLAMP |
| 5. 3.660 PUMP ASSY.—air injector reactor pump | 17. 8.900 BOLT—1/4"—20 x 1-3/8" |
| 6. 3.680 ELBOW—air inj. diverter valve | 18. 8.915 WASHER—1/4" spring lock |
| 7. 3.655 BRACE—air inj. pump pivot | 19. 3.670 GASKET—air injection pump exh. tube |
| 8. 3.670 VALVE ASSY.—relief diverter valve assy. | 20. 8.900 BOLT—1/4"—20 x 5/8" |
| 9. 8.962 HOSE—air inj. divider valve | 21. 8.929 WASHER—I.D. 9/32" x O.D. 5/8" x 5/64" |
| 10. 3.675 PIPE ASSY.—air injection | 22. 8.900 BOLT—3/8"—16 |
| 11. 8.917 NUT—25/64"—16 | 23. 3.675 PIPE ASSY.—air injection |
| 12. 3.655 BOLT—pump pivot 3/8"—16 x 5-1/4" | |



1958-62 CORVETTE GASOLINE TANK AND DOOR



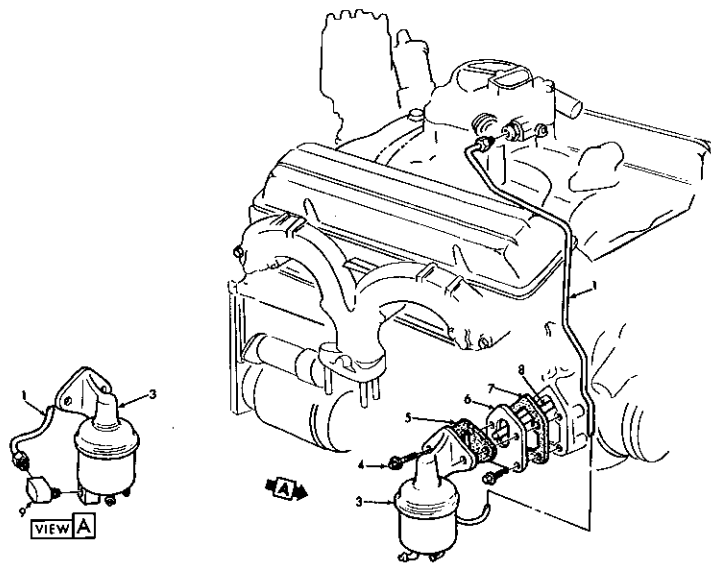
1963-67 CORVETTE GASOLINE TANK



3-299

1974-75 CORVETTE FUEL METER ASSY.

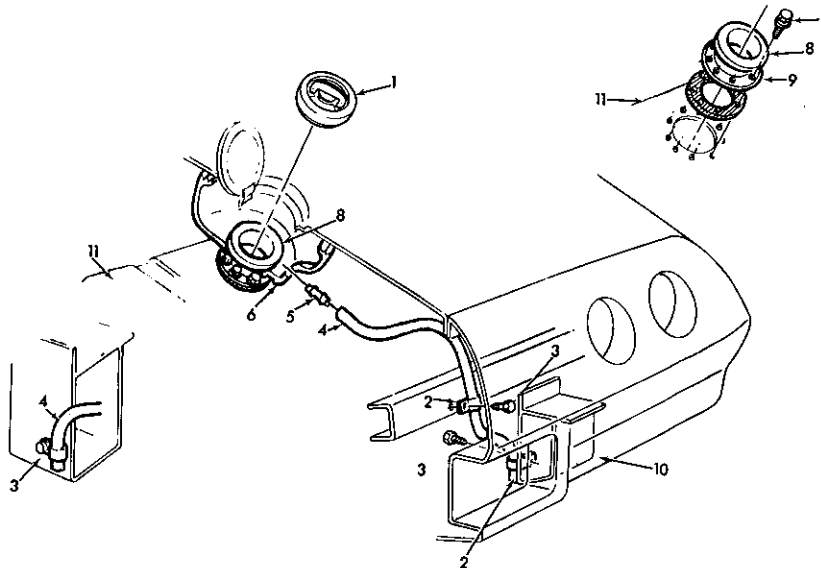
- | | |
|--------------------------------------|--------------------------|
| 1. 3.107 CAM, fuel meter | 6. 7.003 FRAME |
| 2. 3.107 METER ASSY., fuel tank | 7. 7.836 BRACE, bumper |
| 3. 3.112 GASKET, fuel meter | 8. 8.962 HOSE, rear fuel |
| 4. 3.001 TANK, fuel | 9. 8.950 STRAP, hose |
| 5. 13.090 HARNESS ASSY., rear wiring | |



3-308

1974-75 CORVETTE (350) FUEL PUMP AND PIPE

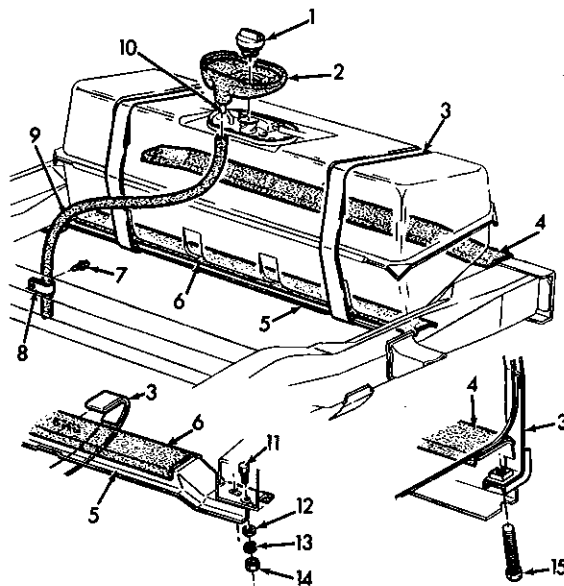
- | | |
|---|---|
| 1. 8.964 PIPE ASSY., fuel | 6. 3.901 PLATE, fuel pump (4 attach. holes—one large slot) |
| 2. 8.977 SCREW ASSY., fuel pump | 7. 3.904 GASKET, fuel pump (4 attach. holes—one large slot) |
| 3. 3.900 PUMP ASSY., fuel | 8. 3.935 ROD, fuel pump |
| 4. 3.901 SCREW ASSY., fuel pump (3/8"—16 x 1-7/16") | 9. 8.963 ELBOW, fuel pump |
| 5. 3.904 GASKET, fuel pump (2 attach. holes—one small slot) | |



3-24

1974-75 CORVETTE FUEL FILLER NECK

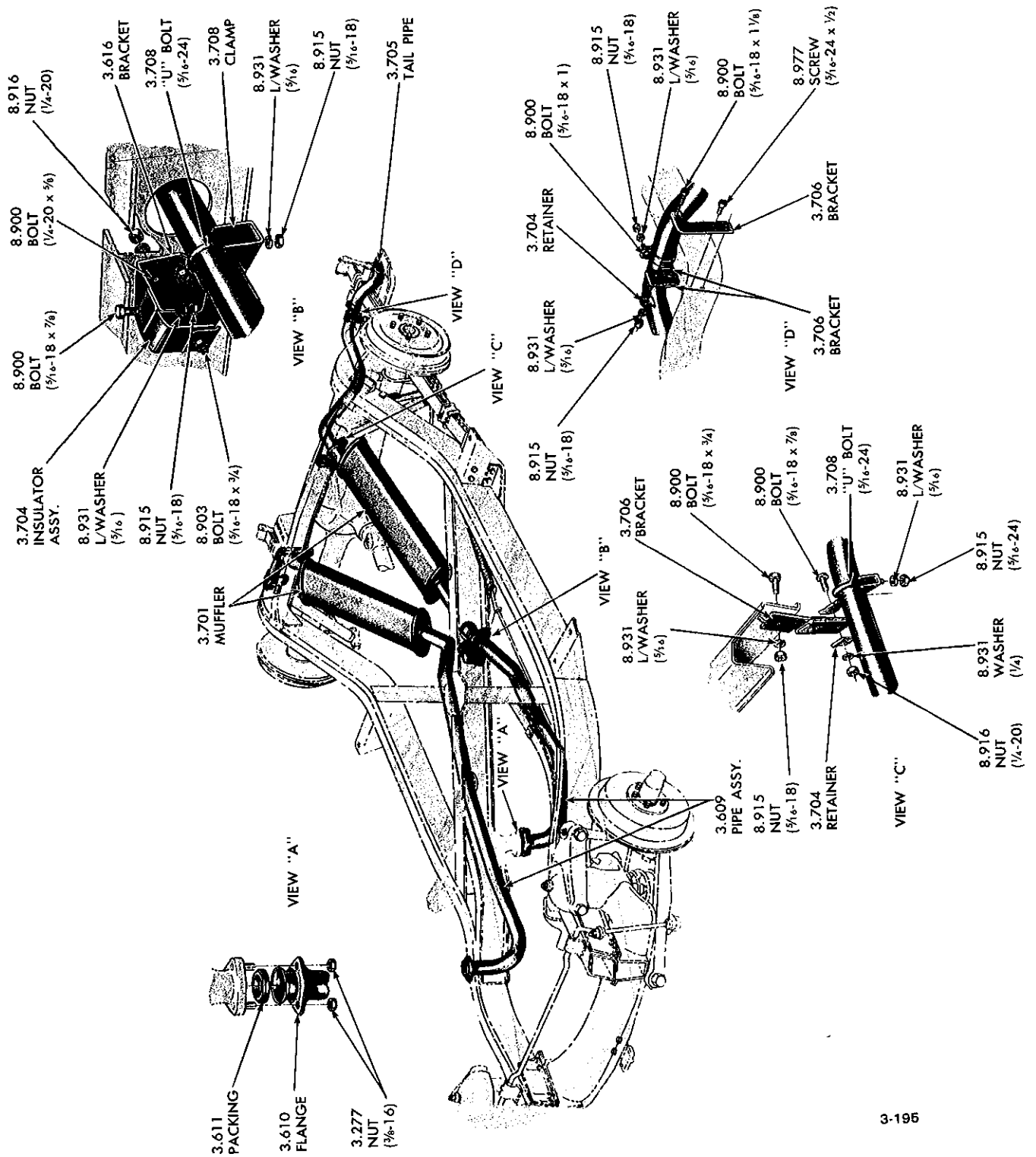
- | | |
|--|---------------------------------------|
| 1. 3.028 CAP ASSY., w/gasket fuel tank | 7. 8.977 SCREW ASSY., filler neck |
| 2. 8.950 CLIP, hose | 8. 3.003 NECK ASSY., fuel tank filler |
| 3. 8.977 SCREW, hose clip | 9. 3.008 GASKET, filler neck |
| 4. 8.962 HOSE, fuel tank filler neck drain | 10. 7.836 REINFORCEMENT, bumper |
| 5. 3.003 NIPPLE, filler neck hose | 11. 3.001 TANK, fuel |
| 6. 3.008 SEAL, filler neck | |



3-334

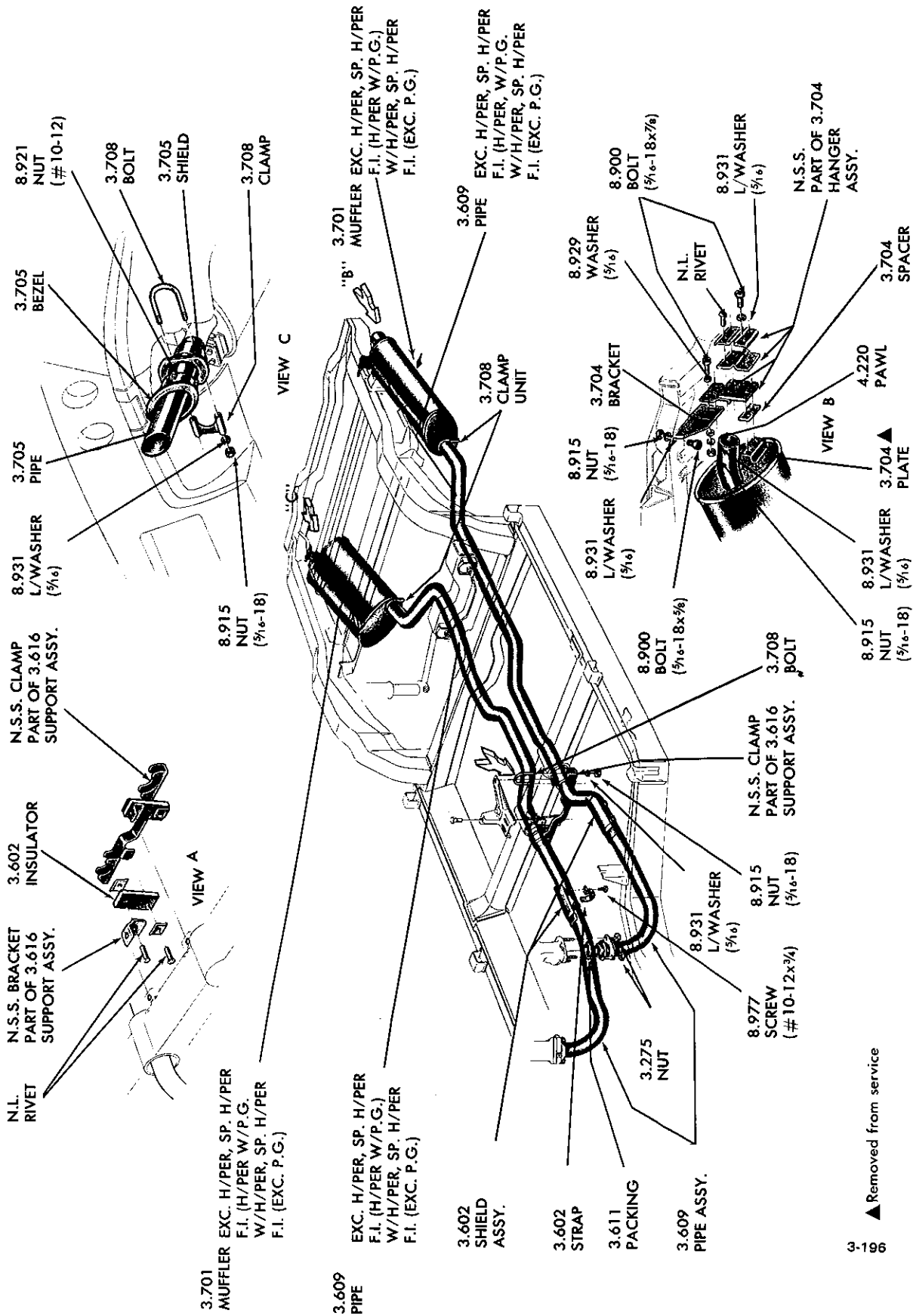
1975 CORVETTE FUEL TANK SUPPORT, STRAPS & SEALS

- | | |
|--|--|
| 1. 3.028 CAP ASSY., fuel tank | 9. HOSE |
| 2. 3.008 SEAL, fuel tank seal | 10. 3.003 NIPPLE, fuel tank nk. drain hose |
| 3. 3.022 STRAP, fuel tank | 11. 8.900 BOLT, 3/8-16 x 7/8 |
| 4. ANTI-SQUEAK | 12. 8.929 WASHER, push 3/8 |
| 5. 3.015 SUPPORT, fuel tank | 13. 8.931 WASHER, lock 3/8 |
| 6. ANTI-SQUEAK, fuel tank (3" x 35" felt) | 14. 8.915 NUT, 3/8-16 |
| 7. 8.977 SCREW, hx. 5/16-18 x 9/16 | 15. 8.900 BOLT, hx. 3/8-1/4 x 1-7/8 |
| 8. 2.559 CLIP, 5/8 x 11/32 | |



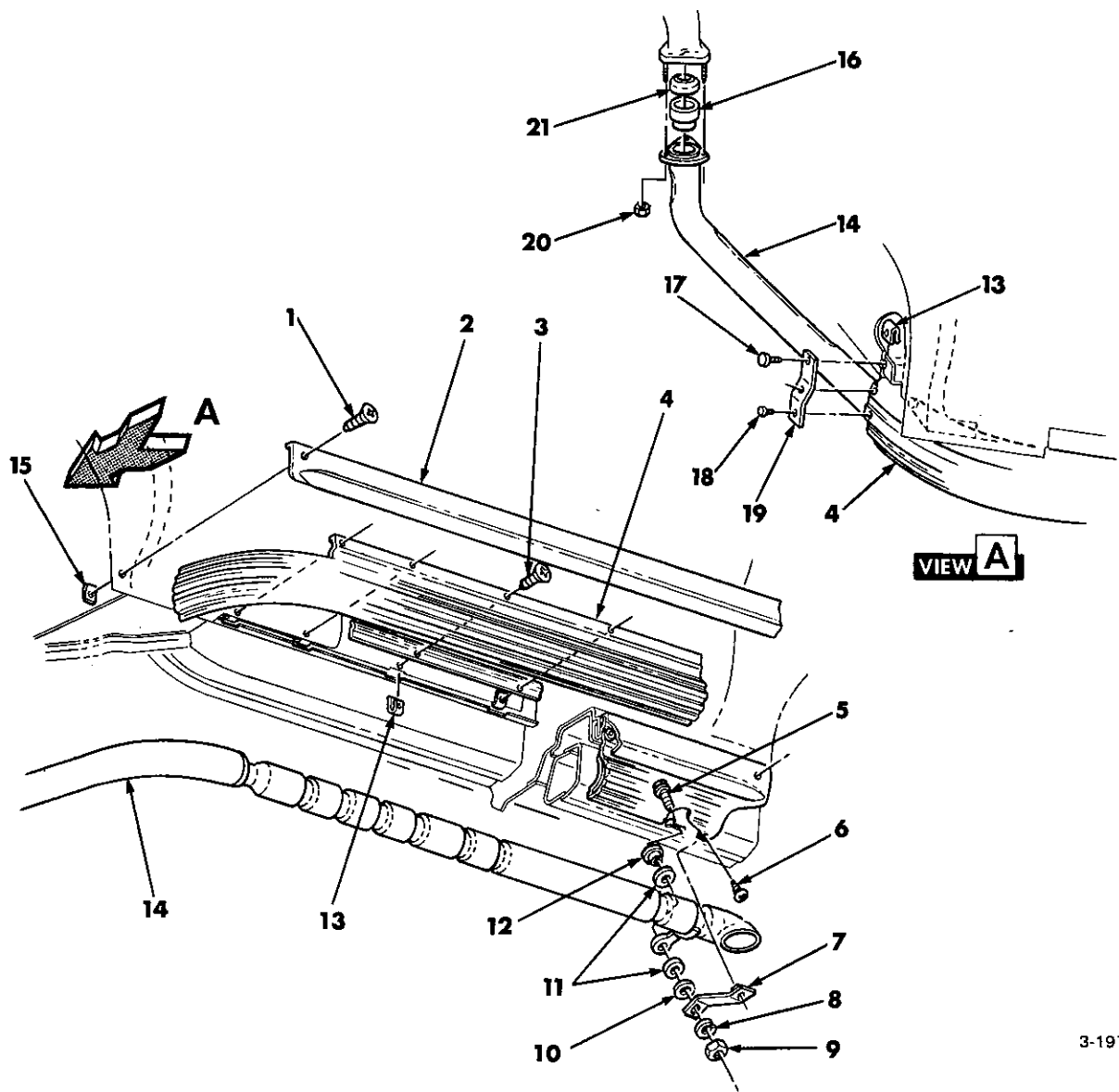
3-195

1961-62 CORVETTE DUAL EXHAUST



▲ Removed from service

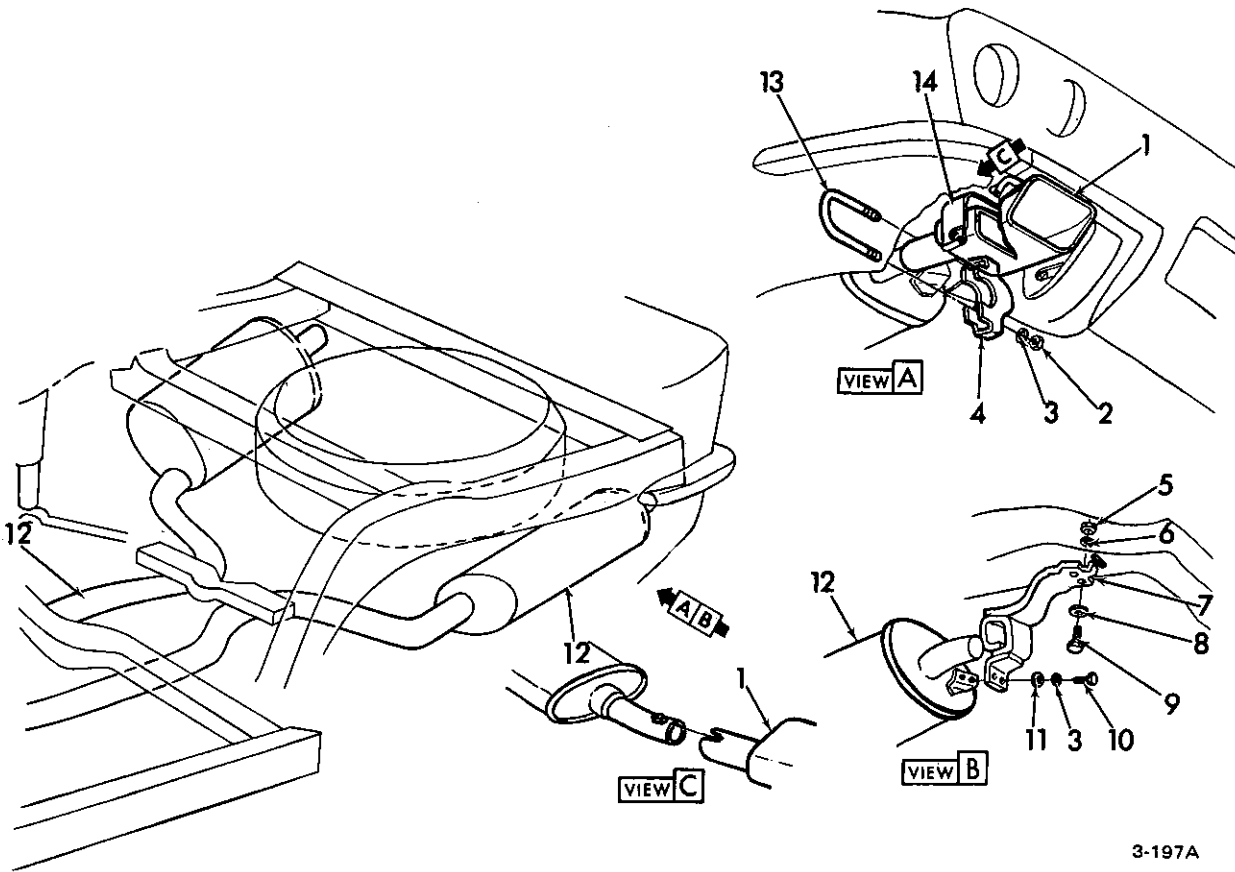
1963-67 CORVETTE DUAL EXHAUST



3-197

1965-67 CORVETTE SIDE MOUNTED EXHAUST

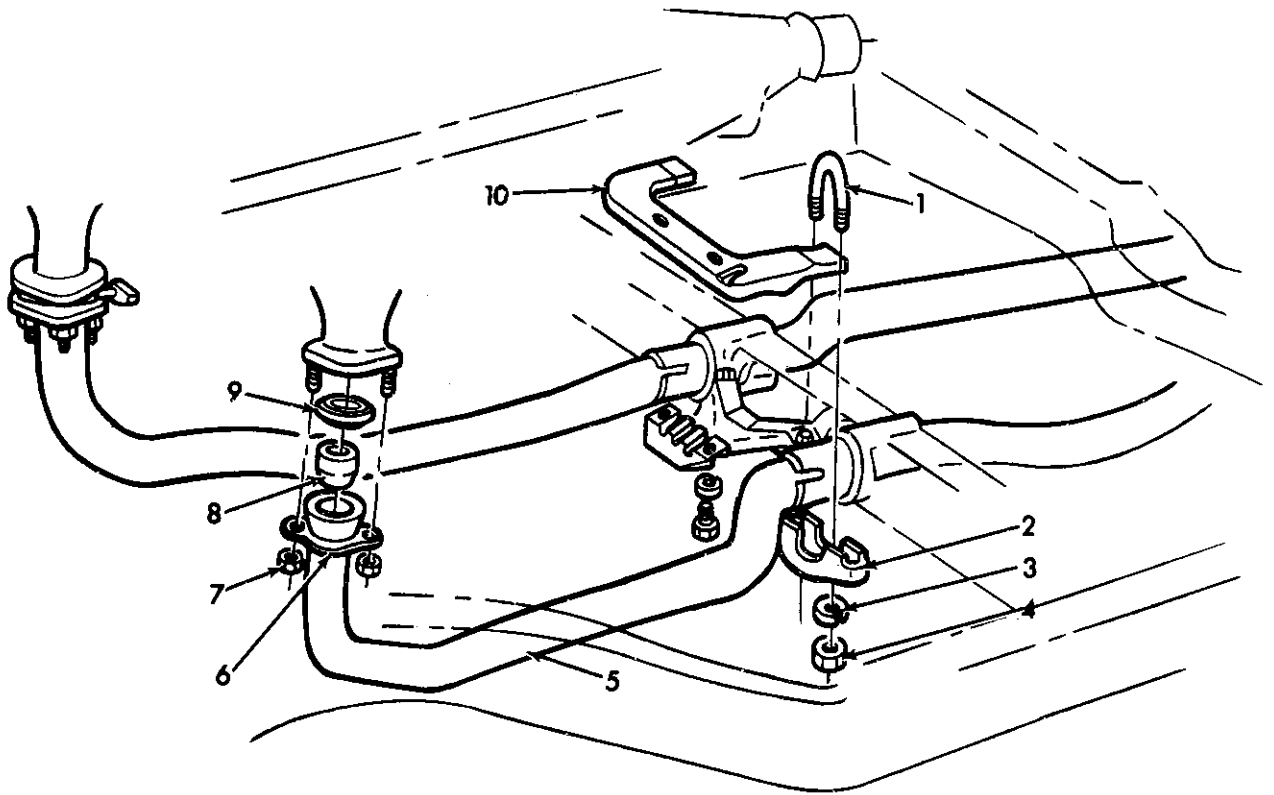
- | | |
|---------------------------------|--|
| 1. 8.977 SCREW (#8-18 x 1) | 12. 3.704 RETAINER |
| 2. 8.304 MOULDING | 13. 3.616 "U" NUT (#10-24) |
| 3. 8.977 SCREW (#10-24 x 5/8) | 14. 3.701 MUFFLER |
| 4. 3.602 COVER ASSY. | 15. 8.921 NUT (stamped-#8-15) |
| 5. 8.903 BOLT (3/8-16 x 2-1/4) | 16. 3.609 EXTENSION |
| 6. 8.909 SCREW (#10-8-24 x 5/8) | 17. 8.900 SCREW (w/L/Washer) (#10-24 x 5/8) |
| 7. 3.602 BRACKET | 18. 8.900 SCREW (#10-24 x 7/16) |
| 8. 8.931 L/WASHER (3/8) | 19. 3.602 BRACKET |
| 9. 8.915 NUT (3/8-16) | 20. 8.916 NUT (Hex 3/8-16) |
| 10. 8.929 WASHER (3/8) | 21. 3.611 PACKING |
| 11. 3.704 INSULATOR | |



3-197A

1970-72 CORVETTE MUFFLER, TAILPIPE & FRAME ATTACHMENT

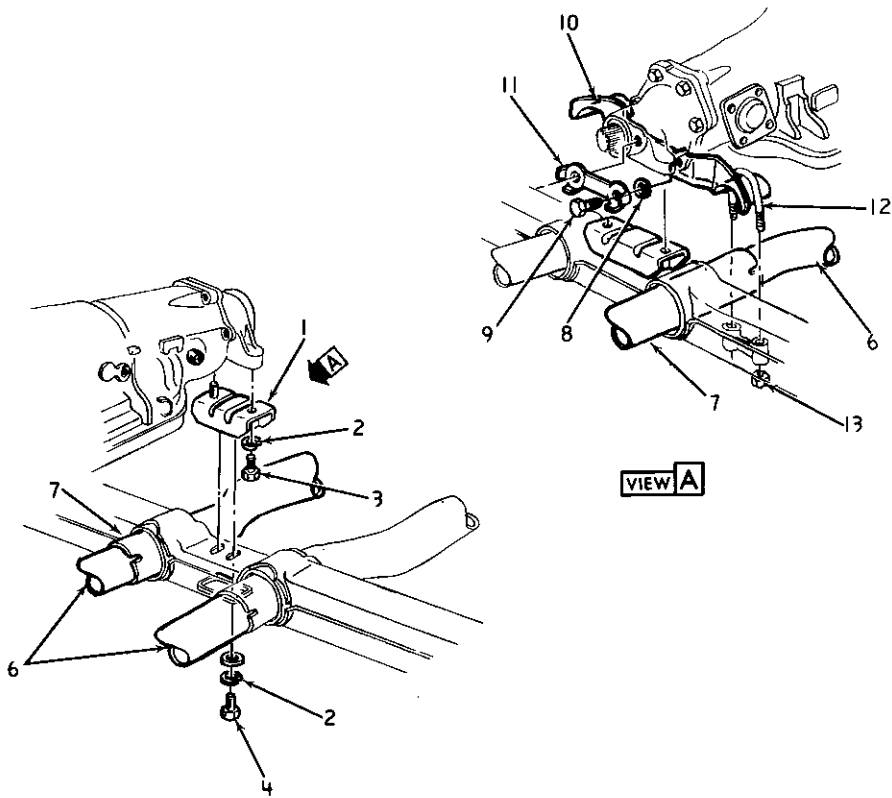
- | | | | |
|----|--|-----|--|
| 1. | 3.705 PIPE - Tail (See Exhaust Chart in Group 3.701) | 8. | 8.931 L/WASHER (3/8) |
| 2. | 8.915 NUT (5/16-18) | 9. | 8.900 BOLT (3/8-16 x 7/8) |
| 3. | 8.931 L/WASHER (5/16) | 10. | 8.900 BOLT (5/16-18 x 3/4) |
| 4. | 3.708 CLAMP 3754883 | 11. | 8.929 P/WASHER |
| 5. | 8.915 NUT (3/8-16) | 12. | 3.701 MUFFLER (See Exhaust Chart in Group 3.701) |
| 6. | 8.929 P/WASHER (3/8) | 13. | 3.708 "U" Bolt 3952741 |
| 7. | 3.704 BRACKET ASSY. 3913898 | 14. | 3.705 BEZEL 3966543-44 |



3-197B

1970-73 CORVETTE EXHAUST SYSTEM

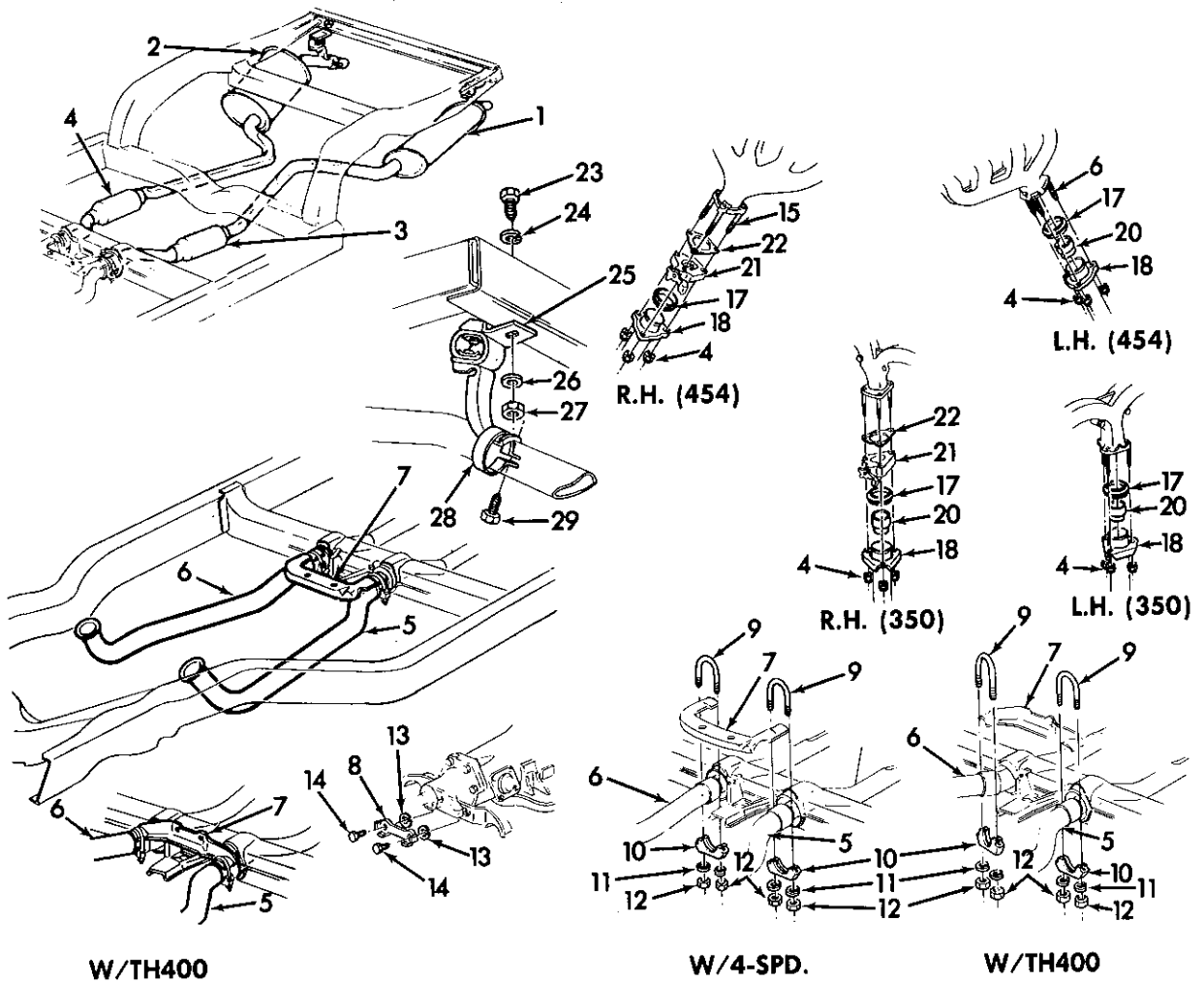
| | | | | | |
|----|---------------------------------------|-----------|-----|---------------------------|---------|
| 1. | 3.708 "U" BOLT | 3952741 | 6. | 3.610 FLANGE | 3734402 |
| 2. | 3.708 CLAMP | 3754883 | 7. | 8.917 NUT (3/8-16) | |
| 3. | 8.931 WASHER (5/16) | | 8. | 3.609 EXTENSION | 3748781 |
| 4. | 8.915 NUT (5/16-18) | | 9. | 3.611 PACKING | 3696990 |
| 5. | 3.609 PIPE ASM, FRT. EXHAUST. | 3952725-6 | 10. | 3.708 CLAMP | 3853723 |



3-261

1971-74 CORVETTE EXHAUST PIPES w/T.H.

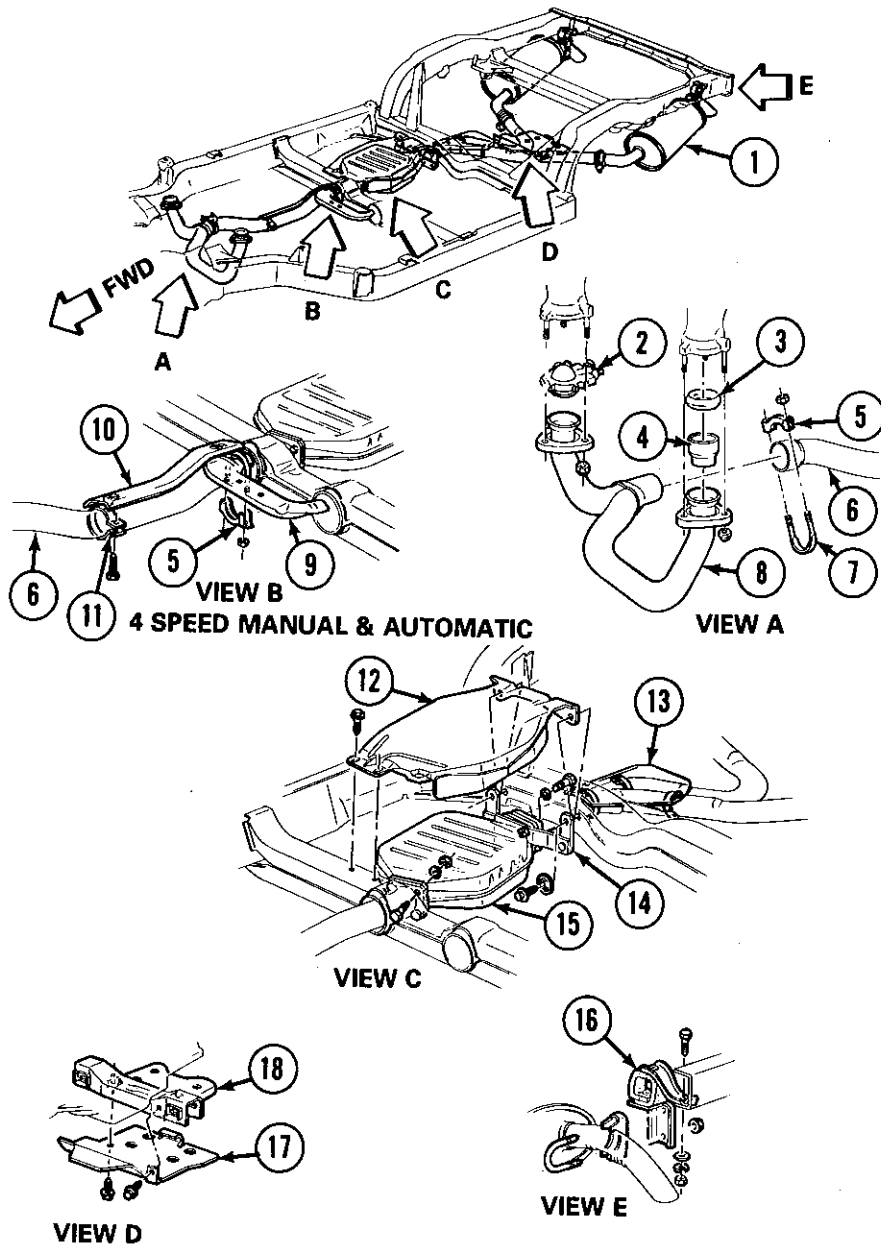
- | | |
|---------------------------------|--------------------------------|
| 1. 4.081 MOUNTING ASSY. | 7. 3.701 MUFFLER ASSY. R.H. |
| 2. 8.931 WASHER (7/16) | 8. 8.931 WASHER (3/8) |
| 3. 8.900 BOLT (7/16-14 x 1 1/8) | 9. 8.900 BOLT (3/8-16 x 1 1/4) |
| 4. 8.900 BOLT (7/16-14 x 1) | 10. 3.708 CLAMP |
| 5. 8.929 WASHER (15/32) | 11. 3.708 LOCK |
| 6. 3.609 PIPE-Frt, Exhaust | 12. 3.708 "U" BOLT |
| 7. 3.609 PIPE-RR Exhaust R.H. | 13. 8.915 NUT (5/16-18) |



3-25

1974 CORVETTE EXHAUST SYSTEM

- | | | | | | |
|-----|-------|---|-----|-------|--|
| 1. | 3.701 | MUFFLER ASSY., w/tailpipe, left | 16. | 3.275 | STUD, exh. manifold (3/8-16-16 x 2-3/16) |
| 2. | 3.701 | MUFFLER ASSY., w/tailpipe, right | 17. | 3.611 | PACKING, exh. front pipe |
| 3. | 3.609 | RESONATOR ASSY., w/pipe left | 18. | 3.610 | FLANGE, exh. front pipe |
| 4. | 3.609 | RESONATOR ASSY., w/pipe right | 19. | 3.613 | NUT, exh. pipe to exh. manifold |
| 5. | 3.609 | EXHAUST PIPE, left | 20. | 3.609 | EXTENSION, exh. pipe to exh. manifold |
| 6. | 3.609 | EXHAUST PIPE, right | 21. | 3.647 | VALVE ASSY., exh. manifold |
| 7. | 3.708 | CLAMP, front exhaust pipe | 22. | 3.611 | GASKET, exh. manifold valve |
| 8. | 3.708 | LOCK, front exhaust pipe clamp | 23. | 8.900 | BOLT, tailpipe hanger (3/8"-16 x 7/8") |
| 9. | 3.708 | "U" BOLT, front exhaust pipe clamp | 24. | 8.931 | WASHER, tailpipe hanger (3/8") |
| 10. | 8.993 | CLAMP, exhaust pipe | 25. | 3.704 | HANGER ASSY., tailpipe |
| 11. | 8.931 | WASHER, lock, exhaust pipe clamp (5/16") | 26. | 8.931 | WASHER, tailpipe hanger |
| 12. | 8.917 | NUT, exhaust pipe clamp (5/16-18) | 27. | 8.915 | NUT, tailpipe hanger |
| 13. | 8.931 | WASHER, clamp lock (3/8") | 28. | 3.708 | CLAMP, tailpipe hanger |
| 14. | 8.900 | BOLT, clamp lock (3/8-16 x 1-1/4") | 29. | 8.977 | SCREW, tailpipe clamp (#20-9 x 1-3/4") |
| 15. | 3.275 | STUD, exh. manifold (3/8-16-16 x 3-5/16") | | | |



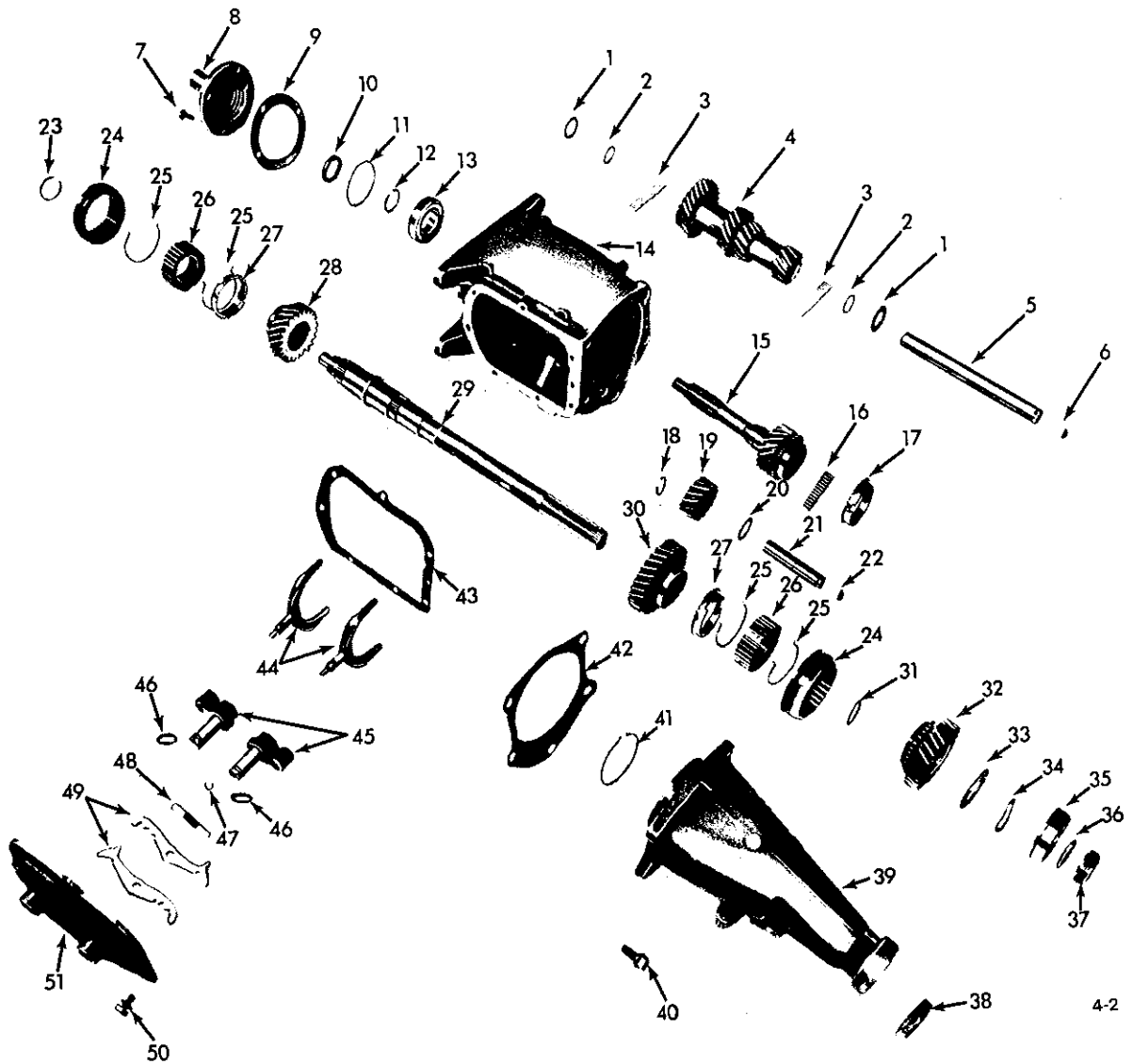
3-345

1975 CORVETTE EXHAUST SYSTEM

| | | | | | | |
|-----|-------|---|---------|-----|--|-------------|
| 1. | 3.701 | MUFFLER | | | | |
| 2. | 3.647 | VALVE ASM., exh. heat | 343729 | 11. | CLAMP, frt. exh. pipe shield | 1368195 |
| 3. | 3.611 | RING., L.H., exh pipe to manif. | 3731062 | 12. | 3.685 SHIELD, c/ttc. conv. heat | L.H. 351581 |
| 4. | 3.609 | EXTENSION, exh. C/O pipe-L.H. | 3633128 | | 3.685 SHIELD, c/ttc. conv. heat | R.H. 351582 |
| 5. | 3.708 | CLAMP, exh C/O pipe-frt. | 3934078 | 13. | SHIELD ASM., rr. C/O pipe-frt. | 356979 |
| 6. | 3.609 | PIPE ASM., exh-frt. | | 14. | 3.704 HANGER ASM., c/ttc. conv. | 356956 |
| 7. | 3.708 | U-BOLT, (5/16-18) | 3949198 | 15. | 3.685 CONVERTER ASM. | 8998109 |
| 8. | 3.609 | PIPE ASM., frt. | 356947 | 16. | 3.704 HANGER ASM., muffler & t/pipe L.H. | 351519 |
| 9. | 3.708 | CLAMP, frt. (m20 & m21) | 3921601 | | 3.704 HANGER ASM., muffler & t/pipe R.H. | 351520 |
| | | CLAMP, frt. (m40) | 3853725 | 17. | 3.705 SHIELD, rr. muffler tail | 356918 |
| 10. | 3.704 | SHIELD ASM., frt. exh. pipe heat (m20 & 21) | 356951 | 18. | 7.518 PLATE, rr. spring | 3817582 |
| | 3.704 | SHIELD ASM., frt. exh. pipe heat (m40) | 356953 | | | |

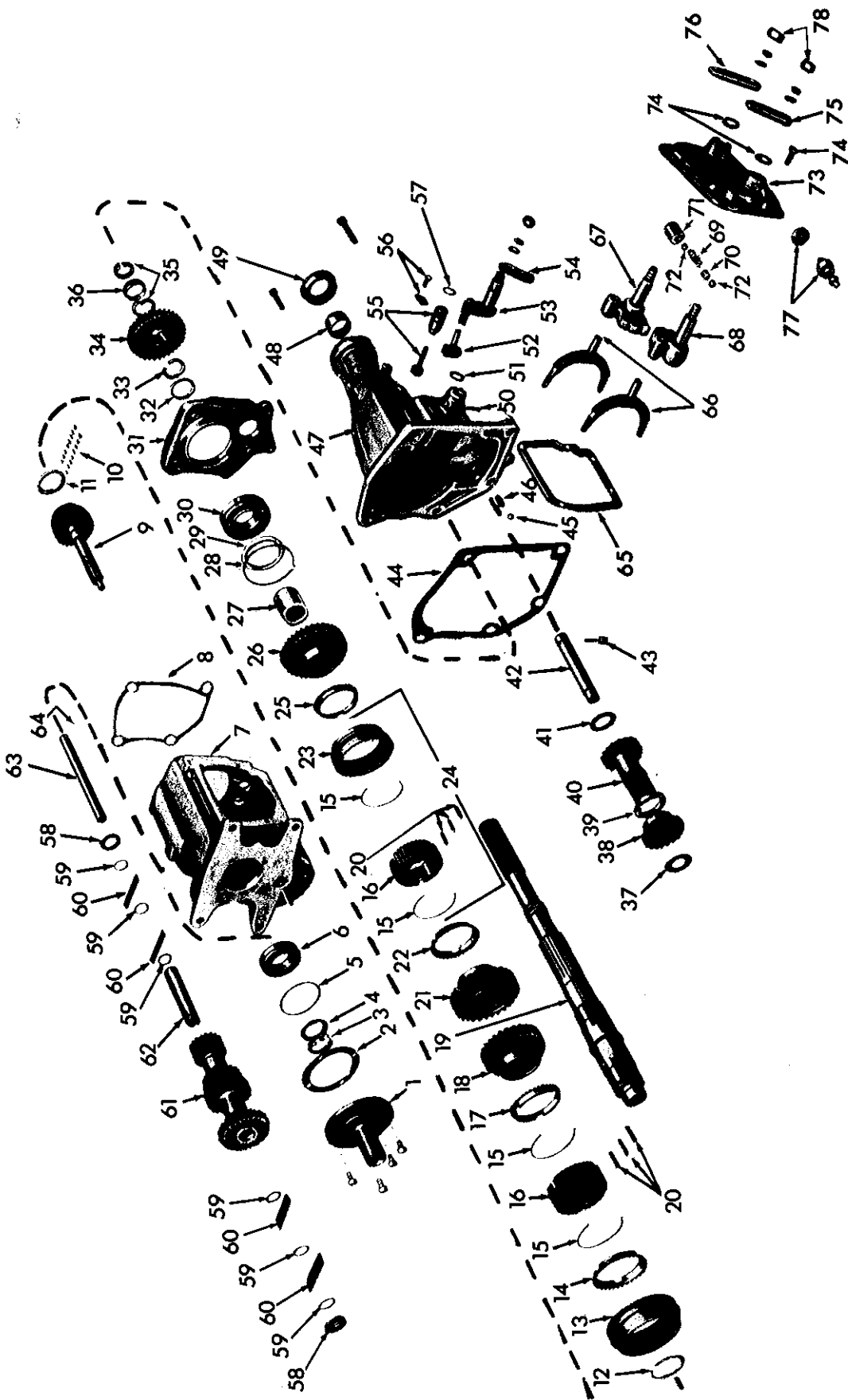
GROUP 4.000
TRANSMISSION





1966-73 SAGINAW 3-SPD. TRANSMISSION—EXPLODED

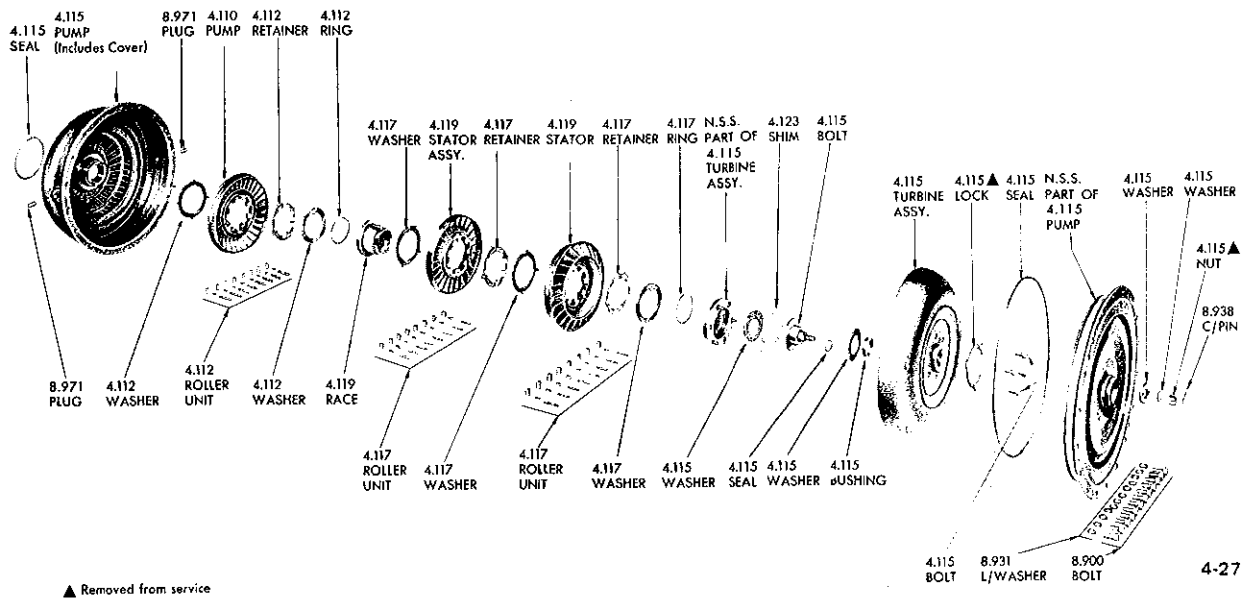
- | | | | | | |
|-----|--------|--------------------------------|-----|--------|------------------------------|
| 1. | 4.423 | WASHER, Counter Gear Thrust | 26. | N.S.S. | Part of 4.380 Synchronizer |
| 2. | 4.423 | WASHER, Counter Gear | 27. | 4.383 | RING, Synchronizing Blocking |
| 3. | 4.352 | ROLLER | 28. | 4.395 | GEAR |
| 4. | 4.421 | GEAR ASSY., Counter | 29. | 4.403 | SHAFT, Trans. Main |
| 5. | 4.428 | SHAFT, Counter Gear | 30. | 4.417 | GEAR |
| 6. | 8.960 | KEY | 31. | 4.384 | RING, Synchronizing Retainer |
| 7. | 8.900 | BOLT | 32. | 4.417 | GEAR |
| 8. | 4.356 | RETAINER, Main Drive Gear Brg. | 33. | 4.419 | WASHER |
| 9. | 4.358 | GASKET | 34. | 4.419 | WASHER |
| 10. | 4.383 | RING | 35. | 4.408 | BEARING, Main Shaft Rear |
| 11. | 4.376 | RING, Drive Gear Brg. | 36. | 4.412 | RING |
| 12. | 4.376 | RING, Drive Gear Brg. Retainer | 37. | 4.343 | GEAR |
| 13. | 4.355 | BEARING, Main Drive Gear | 38. | 4.318 | SEAL ASSY., Extension |
| 14. | 4.103 | CASE | 39. | 4.317 | EXTENSION |
| 15. | 4.351 | GEAR, Main Drive | 40. | 8.900 | BOLT |
| 16. | 4.352 | ROLLER | 41. | 4.412 | RING |
| 17. | 4.383 | RING, Synchronizing Blocking | 42. | 4.318 | GASKET |
| 18. | 4.412 | RING | 43. | 4.109 | GASKET, Cover |
| 19. | 4.430 | GEAR ASSY., Reverse Idler | 44. | 4.303 | FORK |
| 20. | 4.437 | WASHER | 45. | 4.309 | SHAFT ASSY. |
| 21. | 4.433 | SHAFT, Reverse Idler Gear | 46. | 4.313 | SEAL, Shifter Shaft |
| 22. | 8.960 | KEY | 47. | 8.934 | RING |
| 23. | 4.384 | RING, Synchronizing Retaining | 48. | 4.311 | SPRING, Detent |
| 24. | N.S.S. | Part of 4.380 Synchronizer | 49. | 4.311 | CAM, Detent |
| 25. | 4.413 | SPRING | 50. | 8.900 | BOLT |
| | | | 51. | 4.105 | COVER |



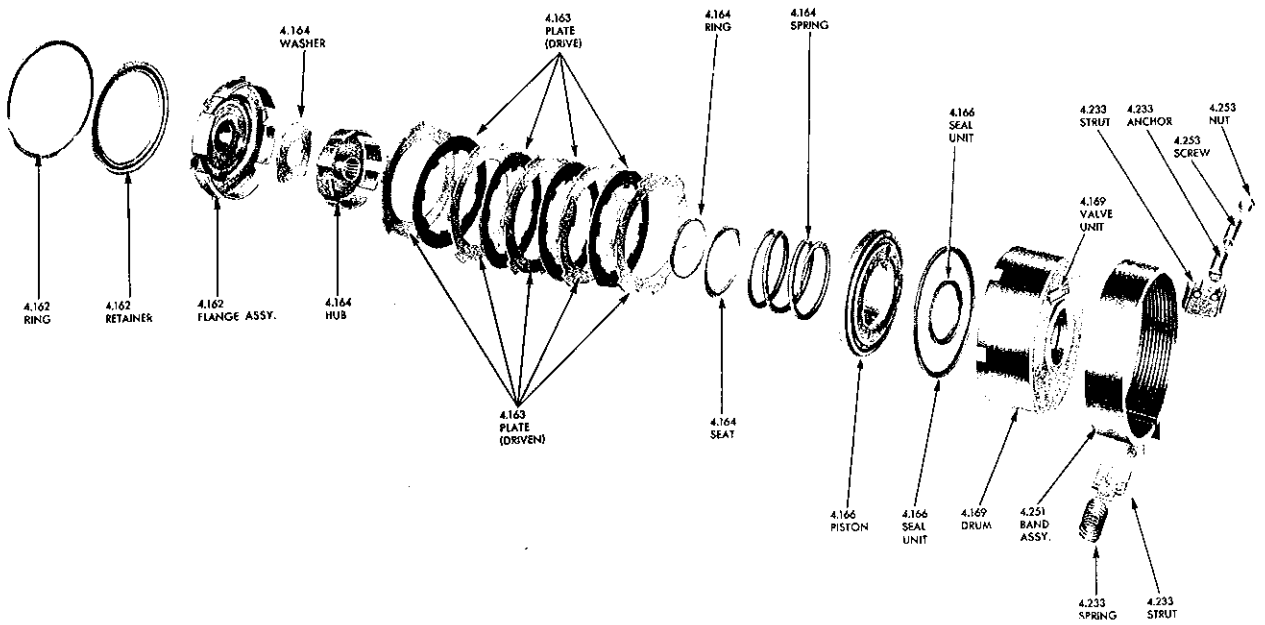
1974-75 WARNER 4-SPD. TRANSMISSION—EXPLODED

1974-75 WARNER 4-SPD. TRANSMISSION—EXPLODED

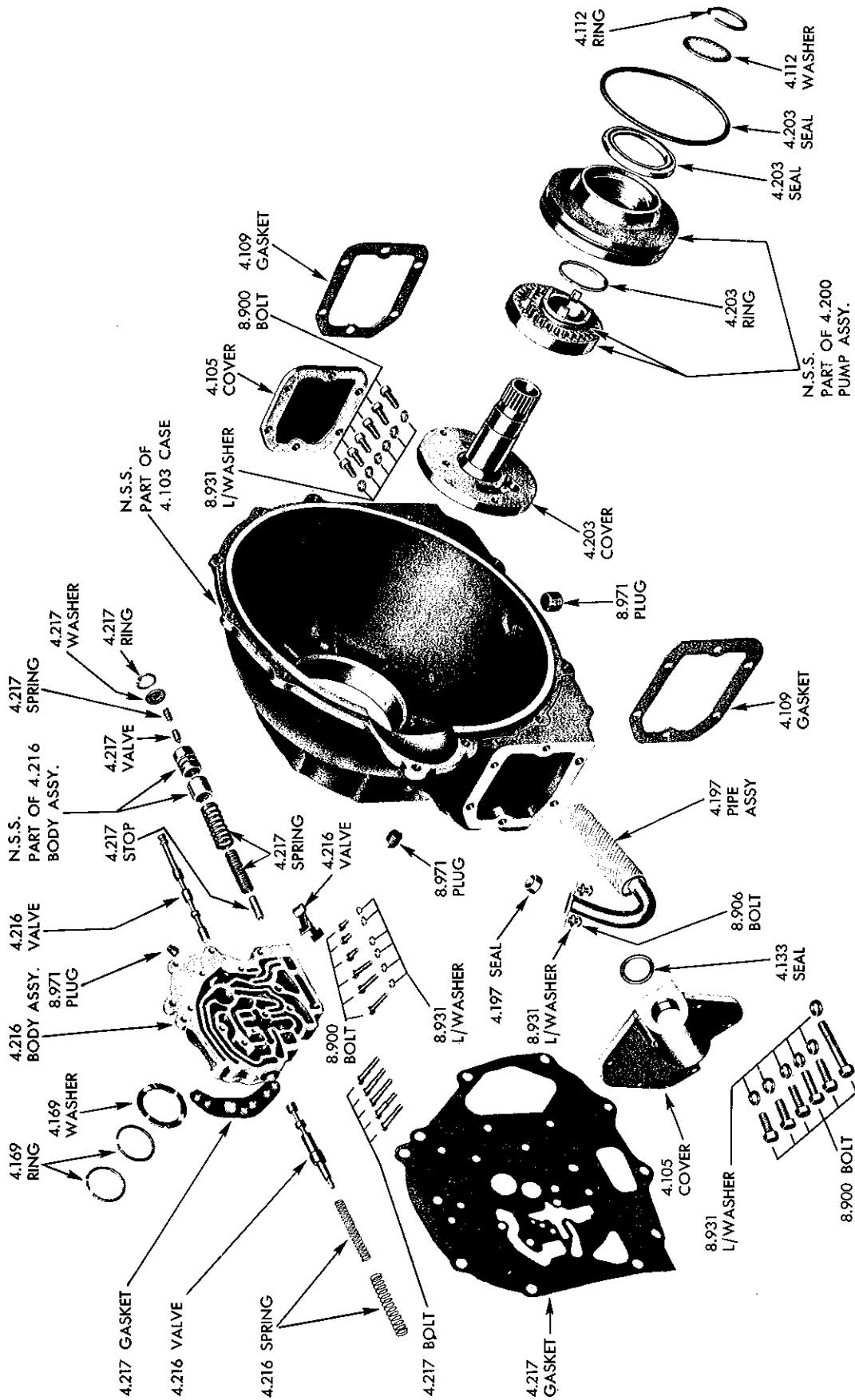
- | | | | | | |
|-----|--------|---|-----|--------|---|
| 1. | 4.356 | RETAINER, Main Drive Gear Bearing | 40. | 4.430 | GEAR, Reverse Idler Rear Idler Shaft |
| 2. | 4.358 | GASKET, Main Drive Gear Bearing Retainer | 41. | 4.437 | WASHER, Thrust Idler Gear |
| 3. | 4.376 | RING, Main Drive Gear | 42. | 4.433 | SHAFT, Transmission Reverse Idler Gear |
| 4. | 4.376 | SPACER, Main Drive Gear Bearing | 43. | 4.435 | PIN, Transmission Reverse Idler Shaft Lock |
| 5. | 4.376 | RING, Main Drive Gear Locating | 44. | 4.318 | GASKET, Transmission Rear Main Bearing Rear |
| 6. | 4.355 | BEARING, Main Drive Gear | 45. | 8.899 | BALL, 3/8" |
| 7. | 4.103 | CASE ASSY., Transmission | 46. | 4.311 | SPRING, Gearshift Detent |
| 8. | 4.318 | GASKET, Transmission rear Main Bearing Frt. | 47. | 4.317 | EXTENSION ASSY., Transmission Rear Main |
| 9. | 4.351 | GEAR, Transmission Main Drive | 48. | 4.319 | BUSHING, Transmission Rear Main Shaft |
| 10. | 4.352 | ROLLER, Main Drive Gear (16) | 49. | 4.318 | SEAL ASSY., Extension Oil |
| 11. | 4.376 | RING, Main Drive Gear | 50. | 4.307 | PIN, Reverse Shifter Shaft Lock |
| 12. | 4.384 | RING, Transmission Synchronizing Retaining | 51. | 4.313 | SEAL, Shifter Shaft |
| 13. | 4.380 | CLUTCH ASSY., 3rd and 4th w/Synchronizing | 52. | 4.303 | FORK, Reverse |
| 14. | 4.383 | RING, Transmission Synchronizing | 53. | 4.302 | LEVER, Reverse Shifter |
| 15. | 4.384 | KEY, Clutch Key Spring | 54. | 4.045 | LEVER, Reverse Shifter |
| 16. | N.S.S. | PART OF 4.380 Clutch | 55. | 4.338 | FITTING, Speedometer Driven Gear |
| 17. | 4.383 | RING, 3rd Speed Gear Sych. | 56. | 4.338 | RETAINER, Gear Fitting |
| 18. | 4.416 | GEAR, Transmission 3rd Speed | 57. | 4.338 | SEAL, "O" Ring (11/16" I.D.) |
| 19. | 4.403 | SHAFT, Transmission Main | 58. | 4.423 | WASHER, Countershaft Bearing |
| 20. | 4.384 | KEYS, Clutch (3) | 59. | 4.423 | SPACER, Countershaft Bearing |
| 21. | 4.395 | GEAR, Transmission 2nd Speed | 60. | 4.422 | ROLLER, Transmission Countershaft Gear |
| 22. | 4.383 | RING, 2nd Speed Gear Sych. | 61. | 4.421 | GEAR, Transmission Countershaft |
| 23. | N.S.S. | PART OF 4.380 Clutch | 62. | 4.423 | SPACER, Countergear Roller Bearing |
| 24. | 4.380 | CLUTCH ASSY., 1st and 2nd Speed | 63. | 4.428 | SHAFT, Transmission Counter |
| 25. | 4.383 | RING, 1st Speed Gear Sych. | 64. | 8.960 | KEY (Woodruff) — (1/8 x 5/8) |
| 26. | 4.417 | GEAR, 1st Speed | 65. | 4.109 | GASKET, Transmission Case Cover |
| 27. | 4.419 | SLEEVE, 1st Speed Gear | 66. | 4.303 | FORK, 1st, 2nd, 3rd, 4th |
| 28. | 4.412 | RING, Rear Bearing | 67. | 4.302 | LEVER, 1st and 2nd |
| 29. | 4.419 | WASHER, Thrust 1st Speed Gear | 68. | 4.302 | LEVER, 3rd and 4th |
| 30. | 4.408 | BEARING, Transmission Main Shaft Rear | 69. | 4.311 | SPRING, Shift Lever Poppet |
| 31. | 4.317 | RETAINER, w/Pin Rear Bearing | 70. | 4.307 | PIN, Interlock |
| 32. | 4.376 | WASHER, Transmission Main Drive Bearing | 71. | 4.307 | SLEEVE, Interlock |
| 33. | 4.376 | RING, Main Drive Rear Bearing | 72. | 8.899 | BALL, 3/8" |
| 34. | 4.417 | GEAR, Reverse | 73. | 4.105 | COVER, Transmission Case |
| 35. | 4.376 | RING, Main Drive Gear | 74. | 4.313 | SEAL, Lip |
| 36. | 4.342 | GEAR, Speedometer Drive | 75. | 4.045 | LEVER, 1st and 2nd Speed Shifter |
| 37. | 4.437 | WASHER, Reverse Idler Front | 76. | 4.045 | LEVER, 3rd and 4th Speed Shifter |
| 38. | 4.430 | GEAR, Reverse Idler Front | 77. | 4.0L 1 | SWITCH ASSY., Transmission Control Safety |
| 39. | 4.435 | RING, Transmission Reverse | 78. | 8.915 | NUTS, 5/16 - 18 |



1950-52 POWERGLIDE TRANSMISSION-CONVERTER SECTION

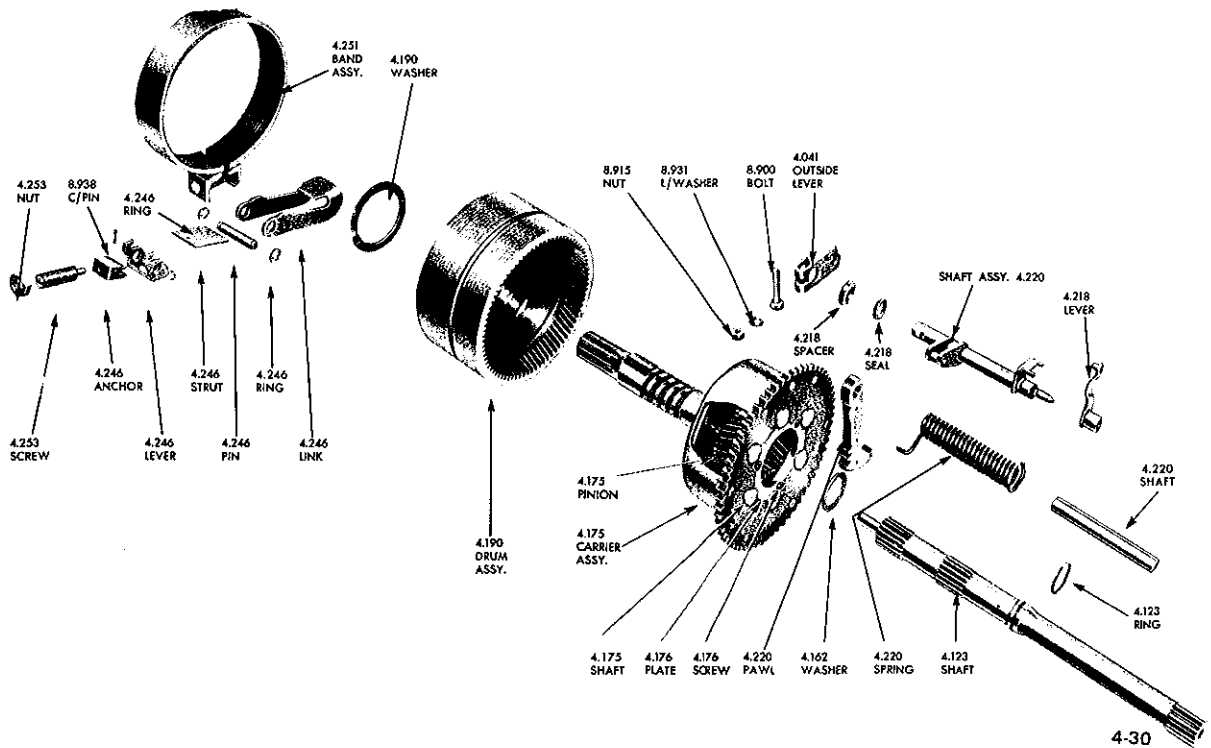


1950-57 POWERGLIDE TRANSMISSION-HI-LO CLUTCH SECTION

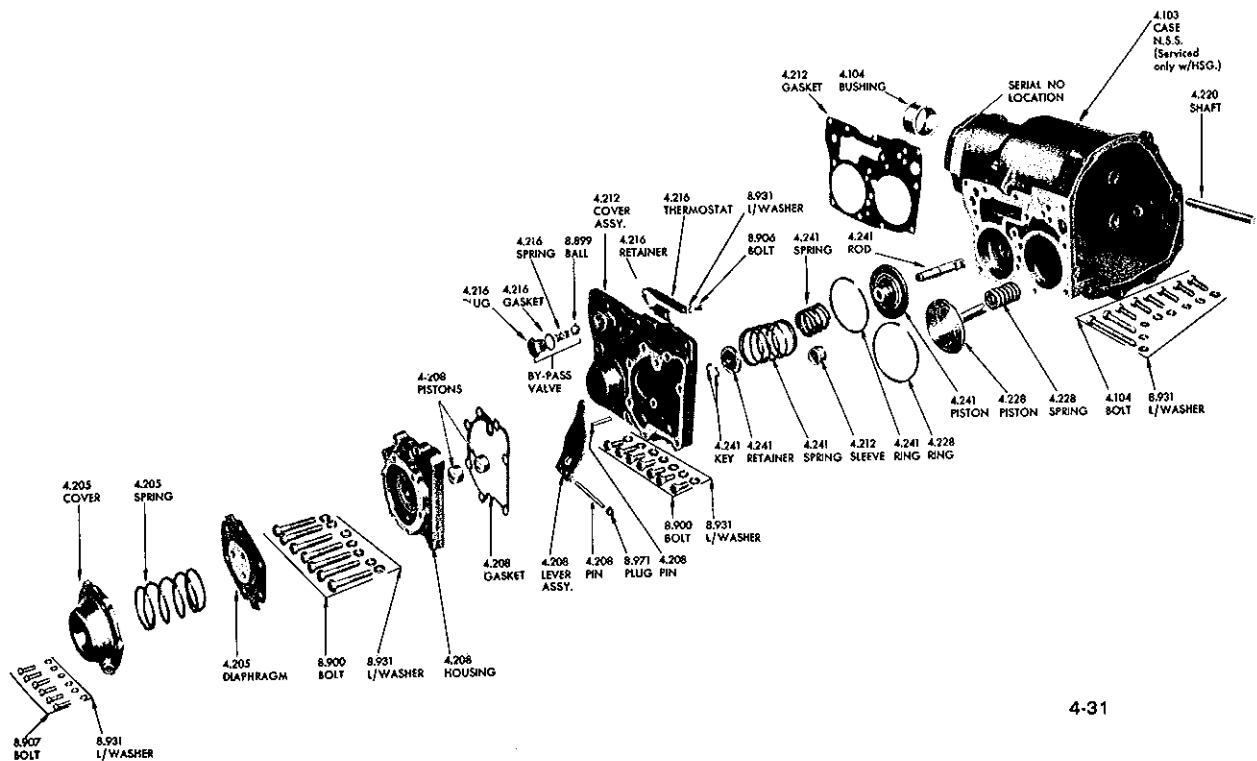


4-29

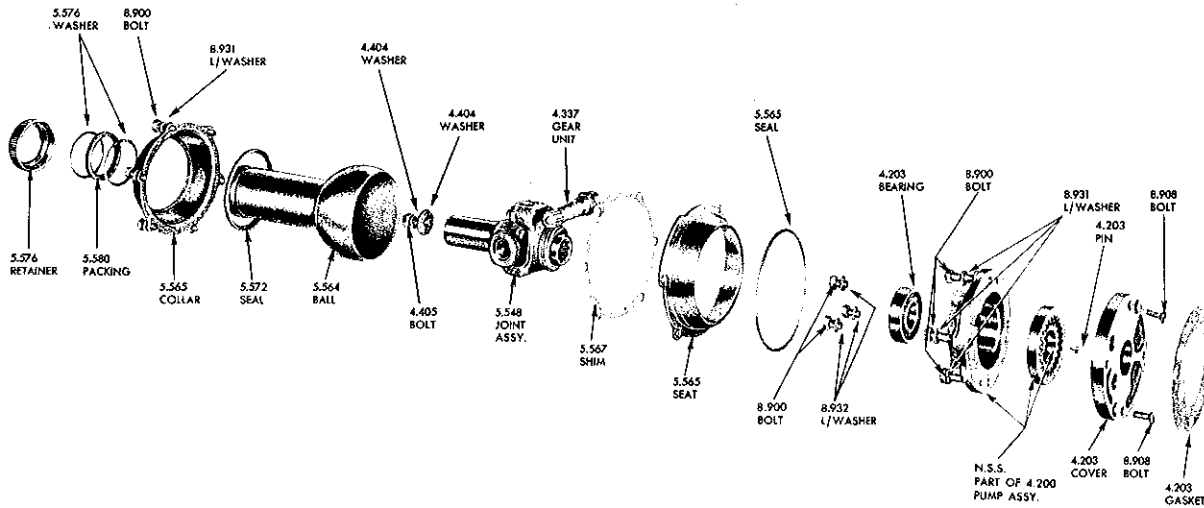
1950-62 POWERGLIDE TRANSMISSION—HOUSING SECTION



1950-57 POWERGLIDE TRANSMISSION—REVERSE AND PLANETARY SECTION

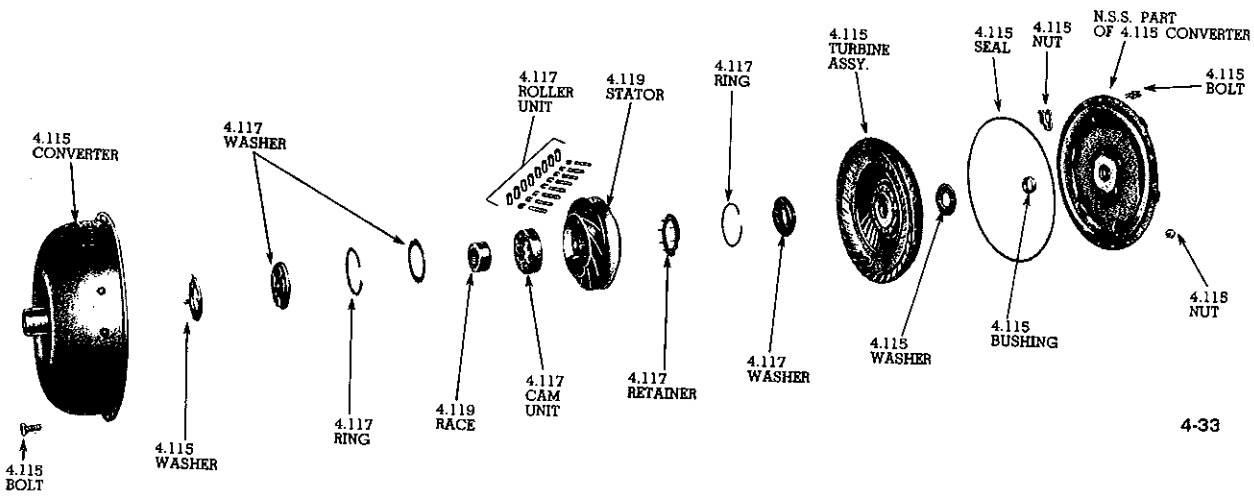


1950-62 POWERGLIDE TRANSMISSION—CASE SECTION



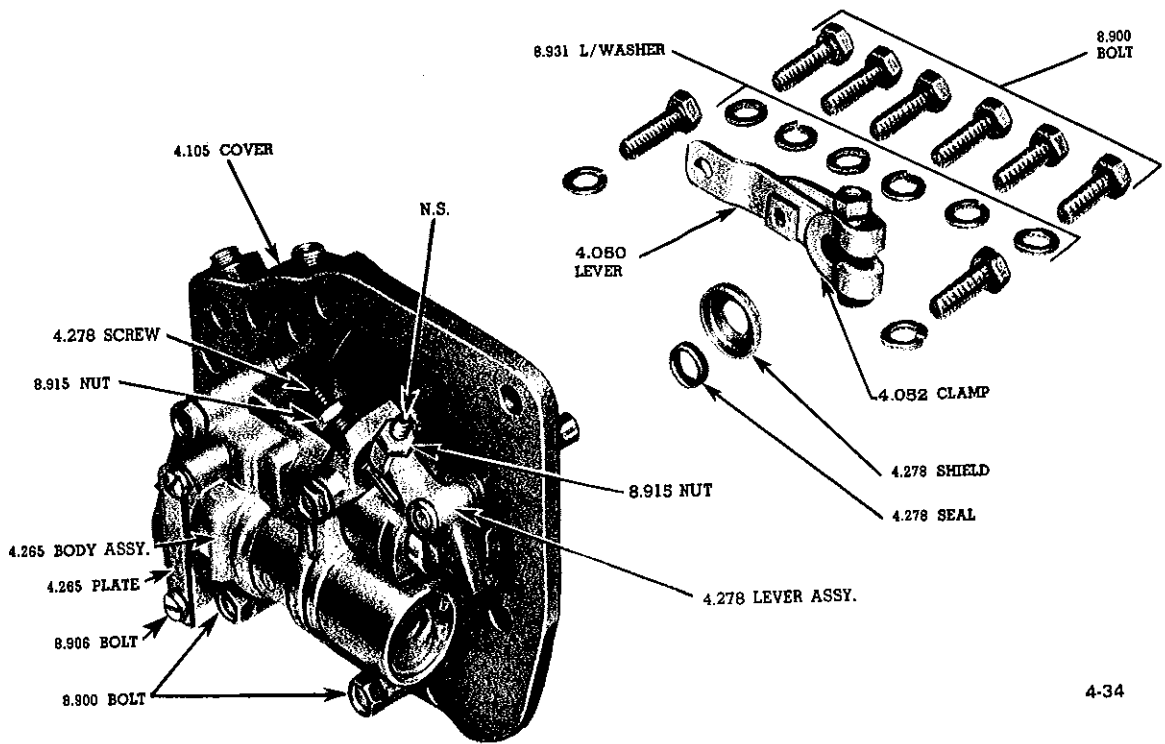
4-32

1953-57 POWERGLIDE TRANSMISSION—REAR PUMP SECTION



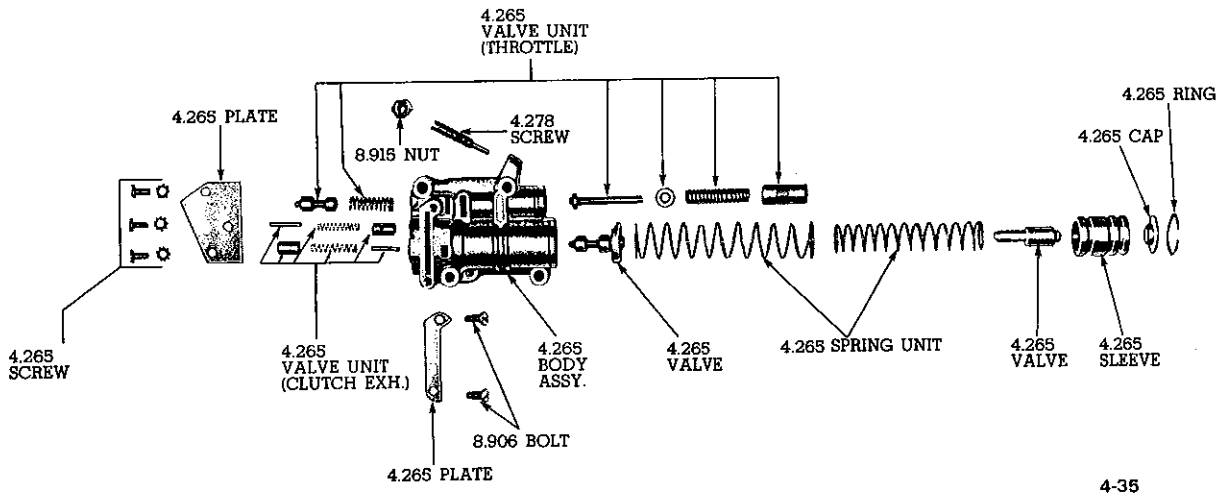
4-33

1953-57 POWERGLIDE TRANSMISSION—CONVERTER SECTION



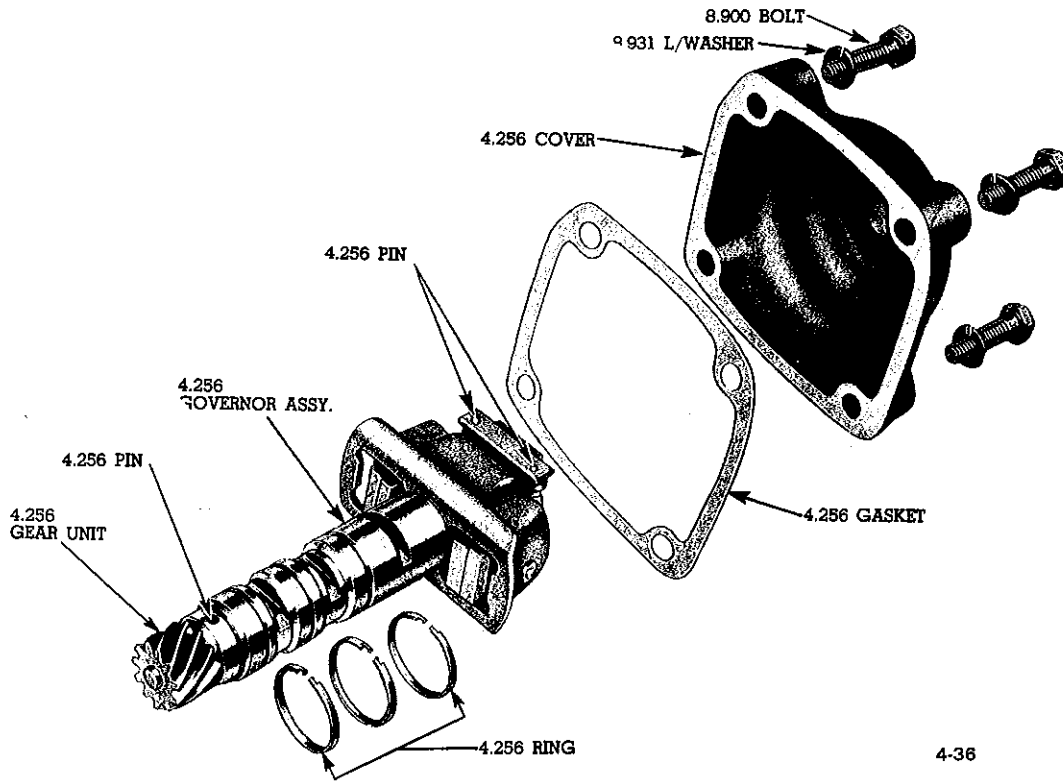
4-34

1953-57 POWERGLIDE TRANSMISSION THROTTLE VALVE



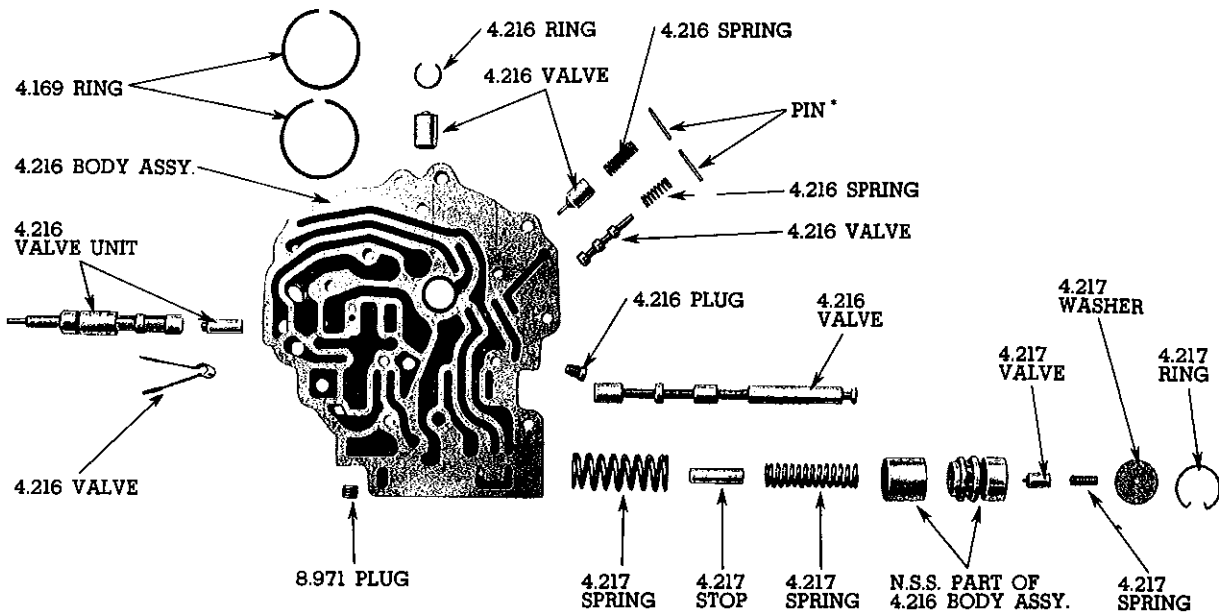
4-35

1953-57 POWERGLIDE TRANSMISSION THROTTLE VALVE BODY ASSY.



4-36

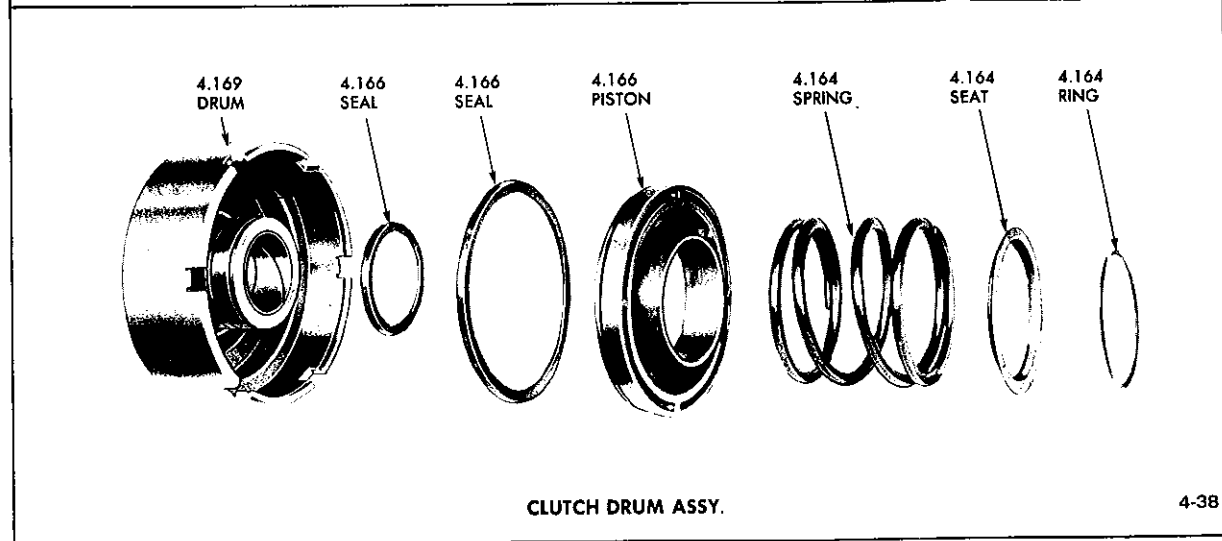
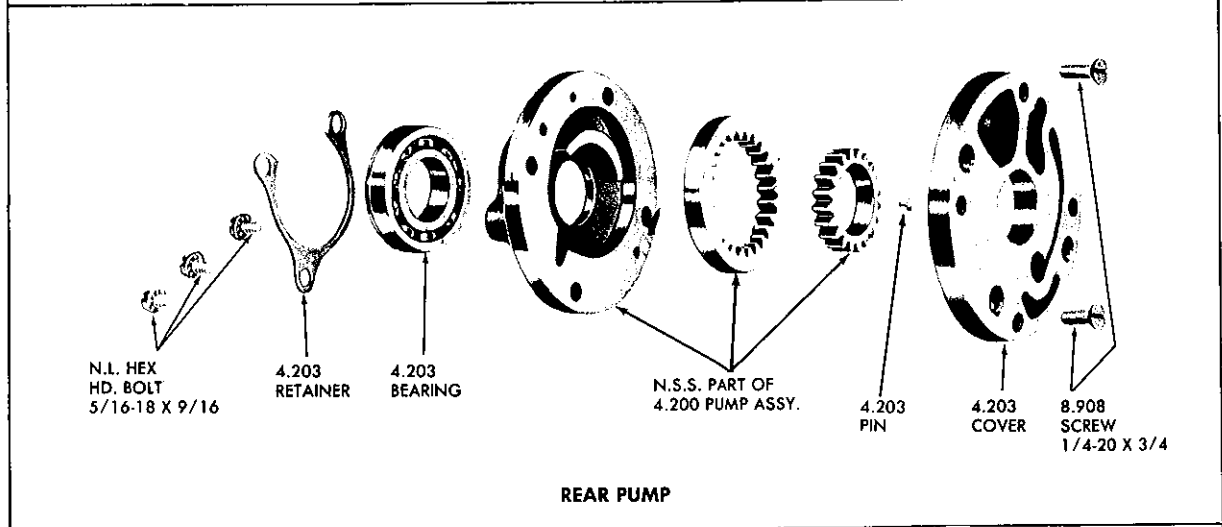
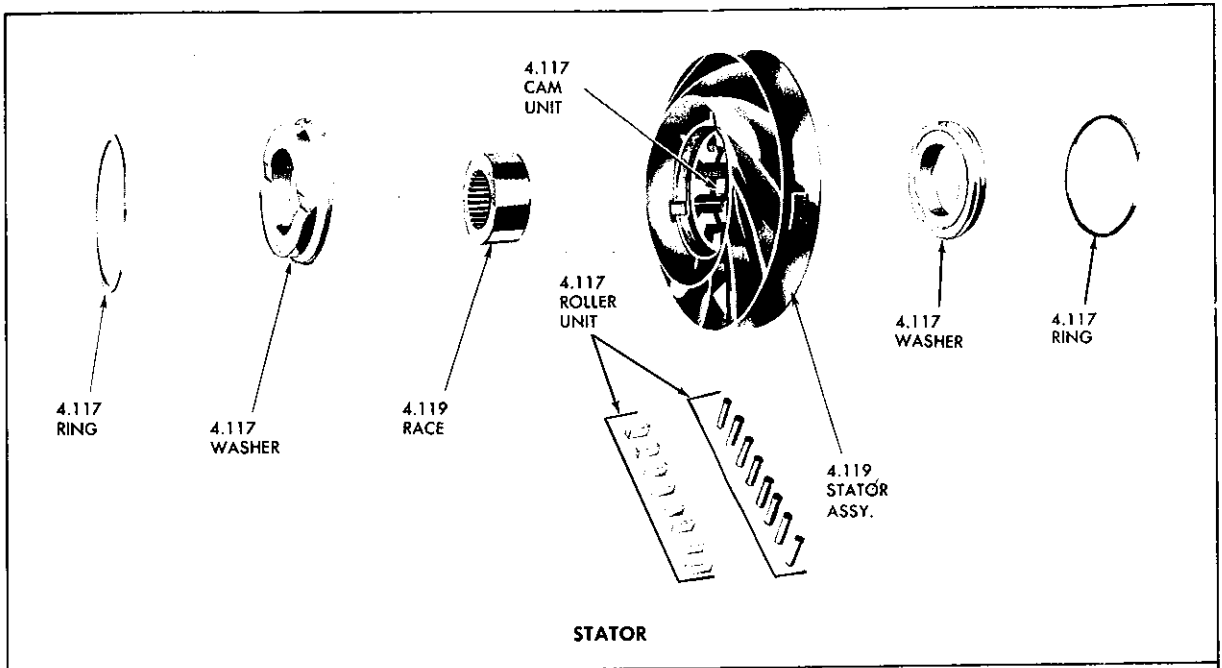
1953-57 POWERGLIDE TRANSMISSION GOVERNOR



*NOTE: REMOVED FROM SERVICE—NOT AVAILABLE

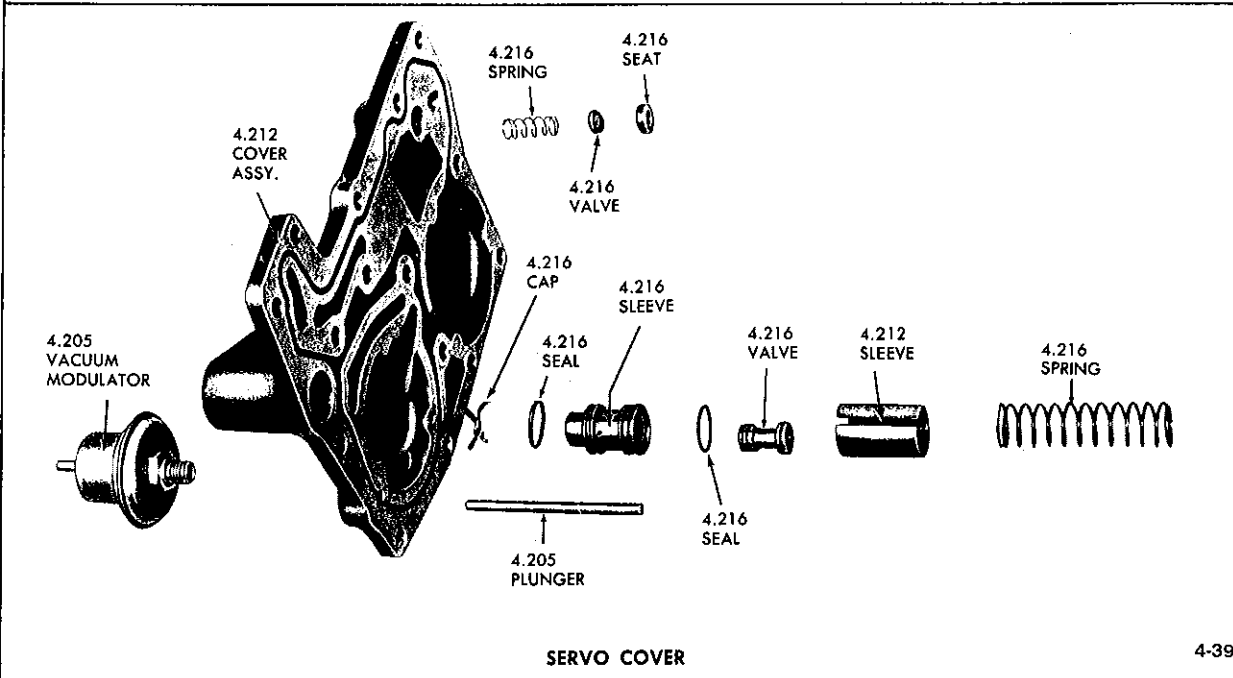
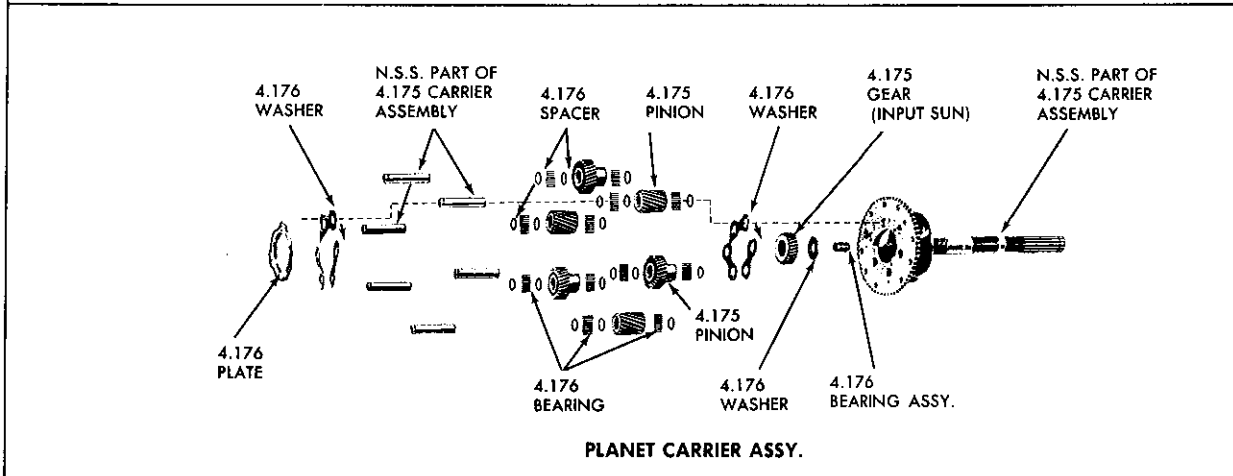
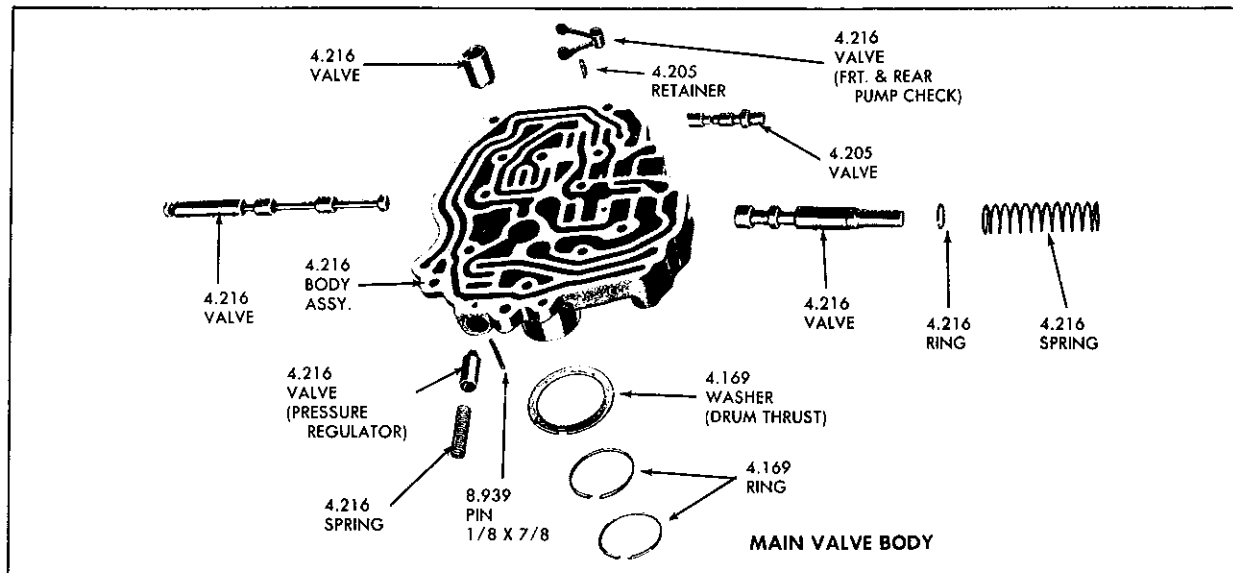
1952-57 POWERGLIDE TRANSMISSION MAIN VALVE BODY

4-37

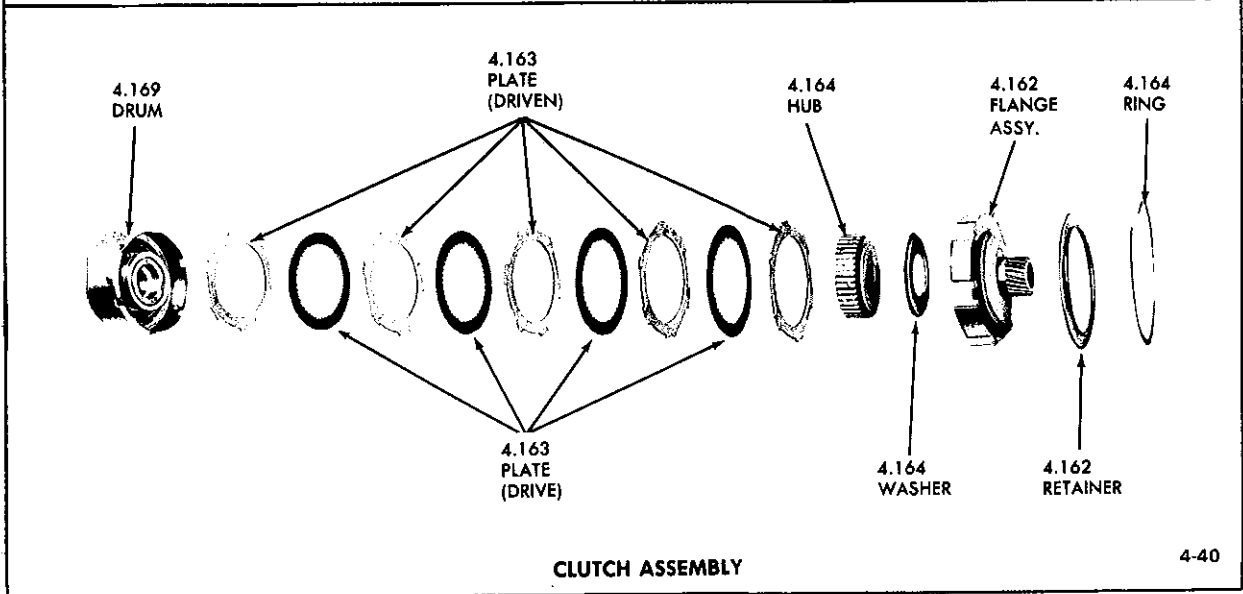
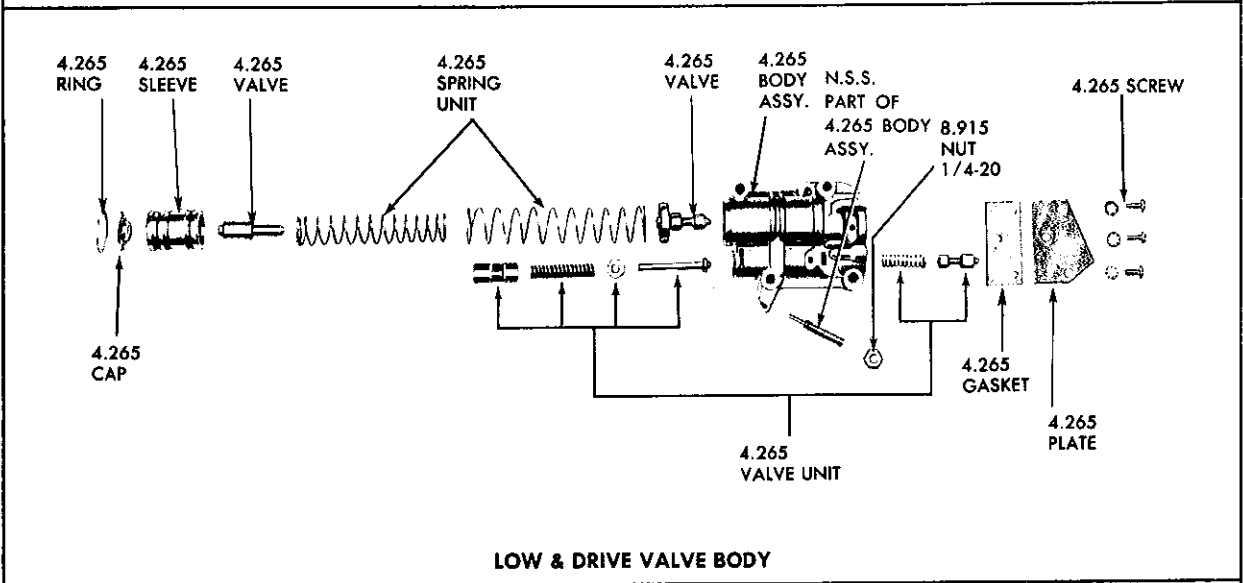
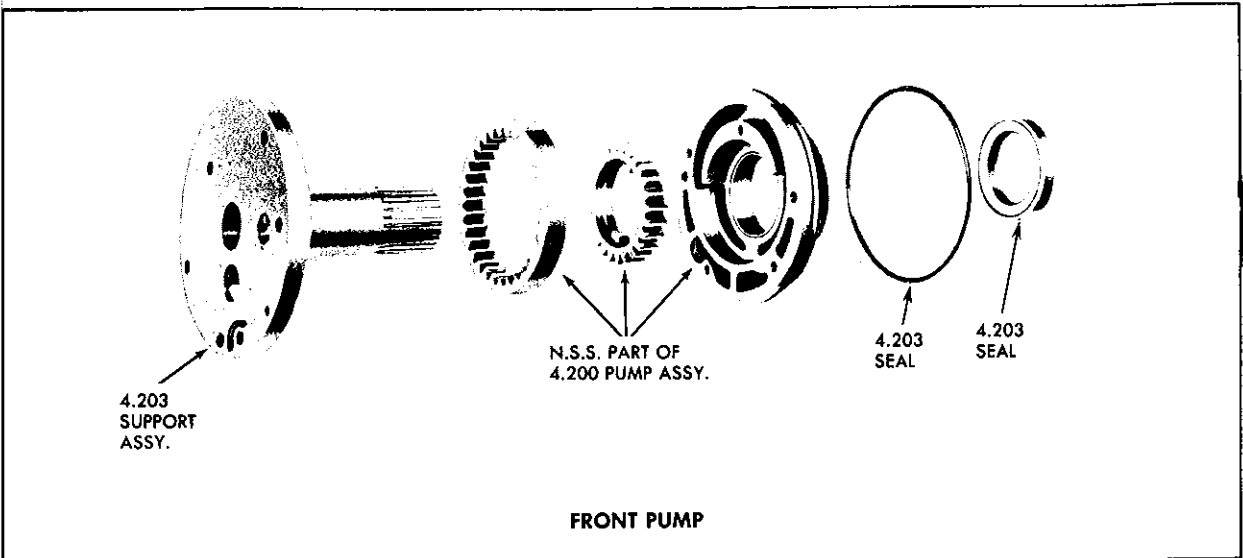


4-38

1953-62 POWERGLIDE TRANSMISSION (EXC. 327 ENGINE)

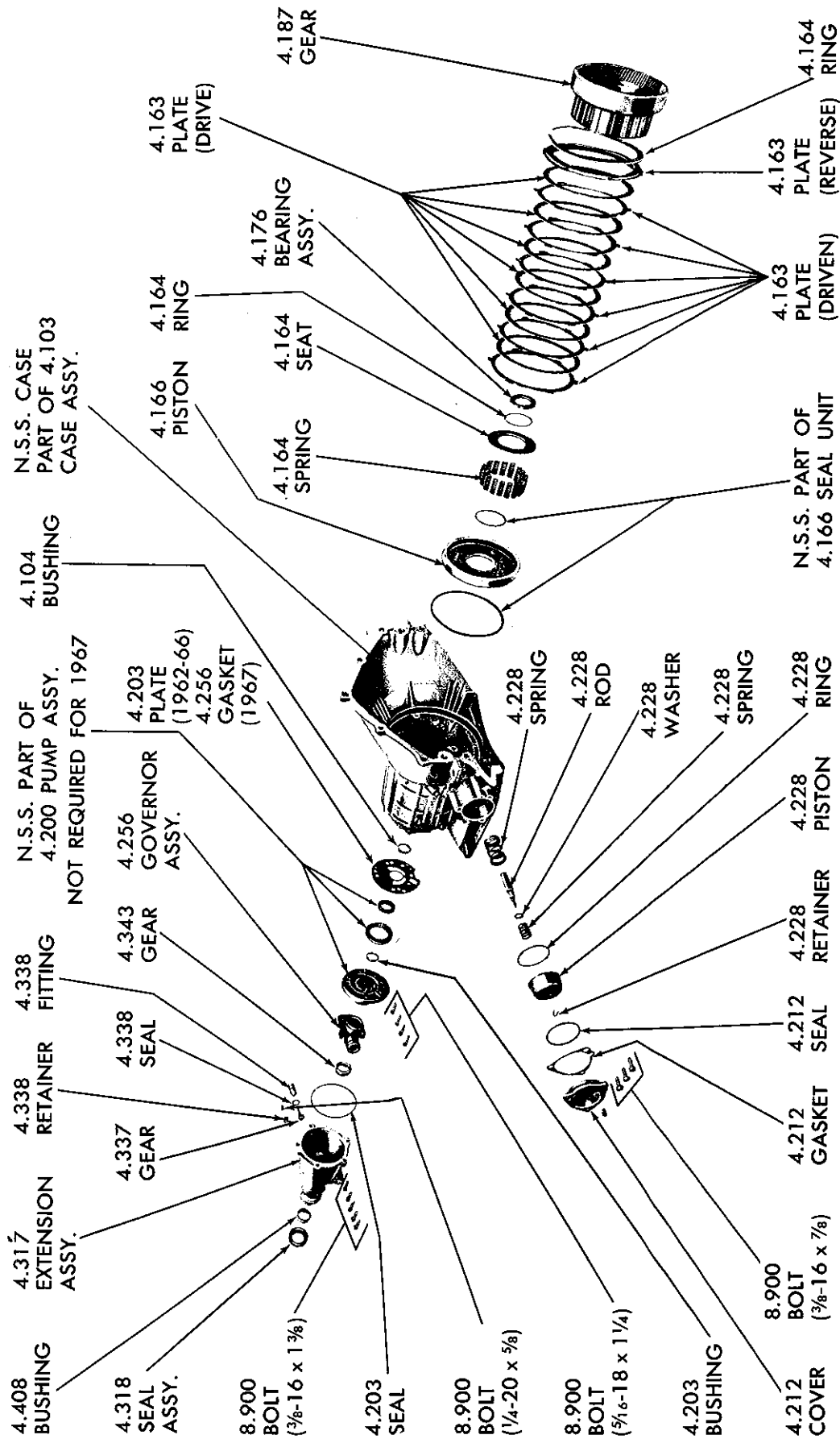


1958-62 POWERGLIDE TRANSMISSION (EXC. 327 ENGINE)



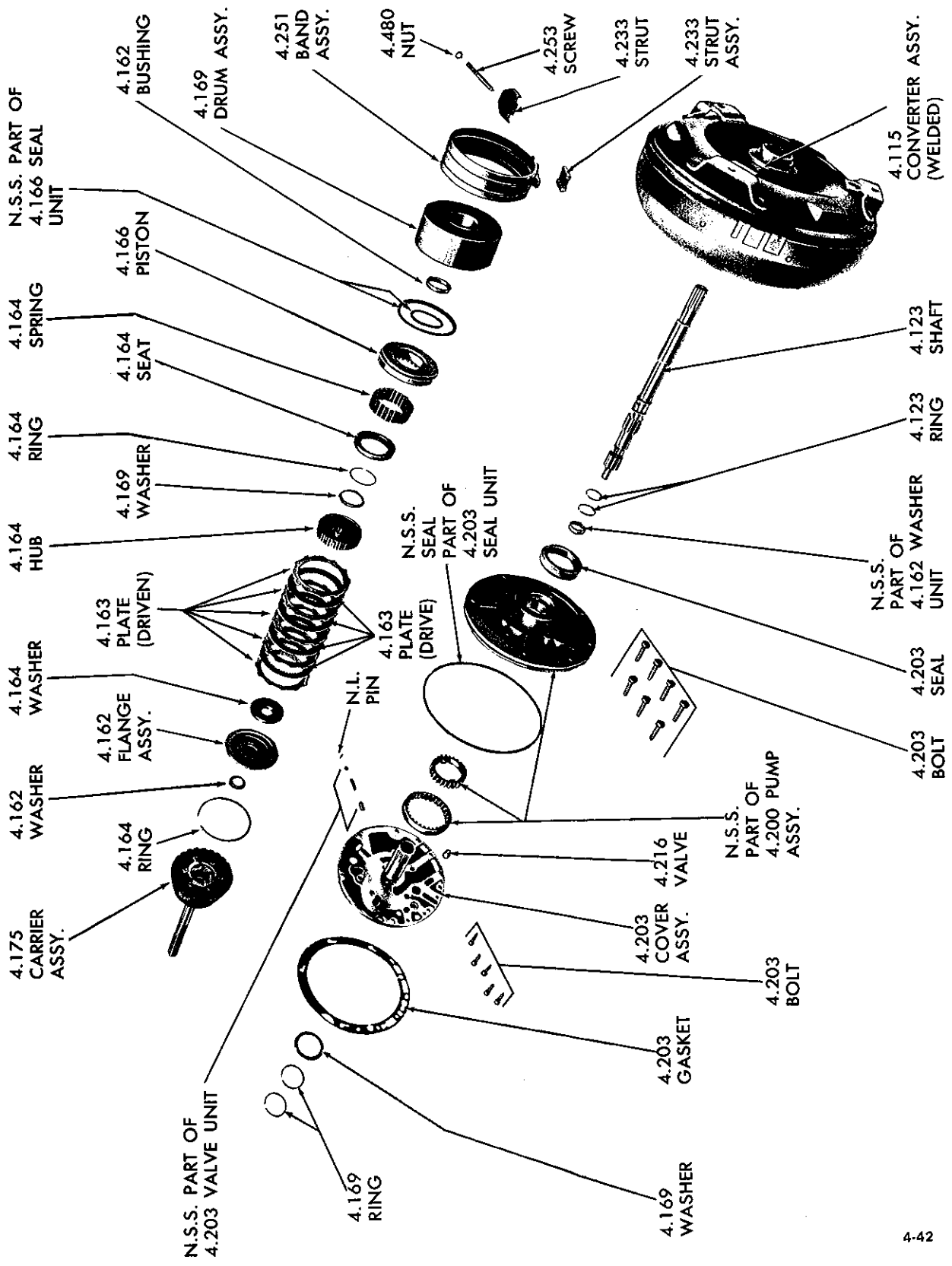
4-40

1958-62 POWERGLIDE TRANSMISSION (EXC. 327 ENGINE)

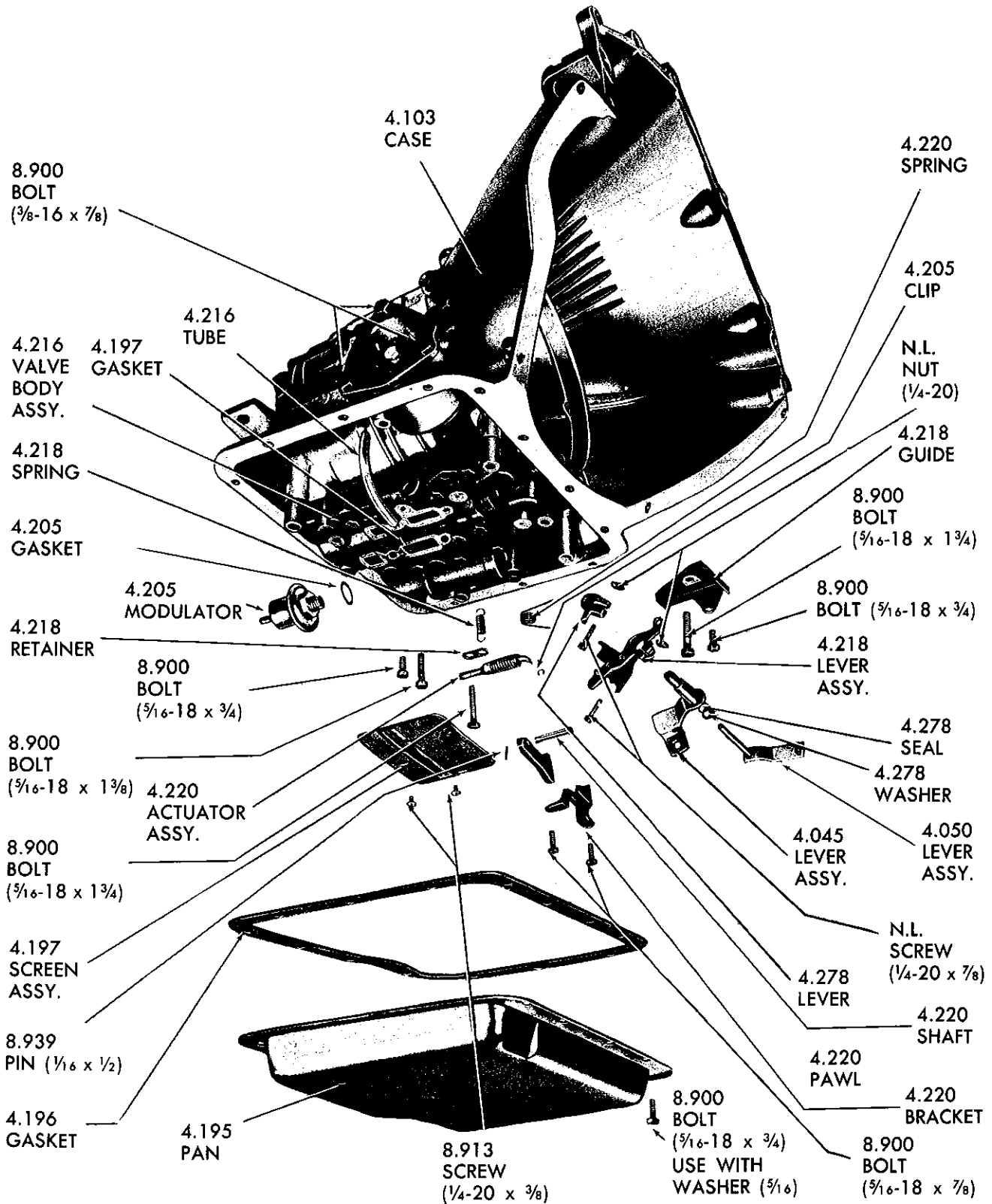


1962-71 ALUMINUM POWERGLIDE TRANSMISSION CASE—EXPLODED

4-41

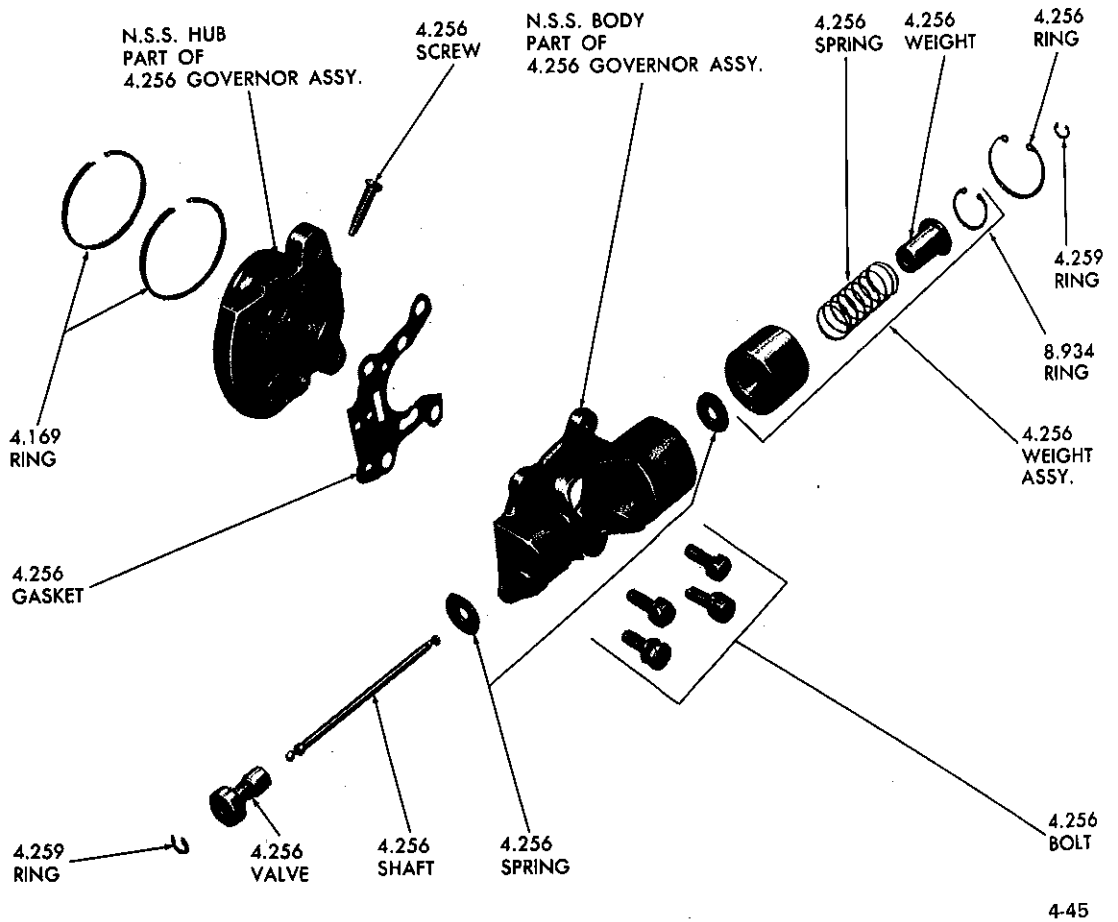


1962-71 ALUMINUM POWERGLIDE TRANSMISSION EXPLODED

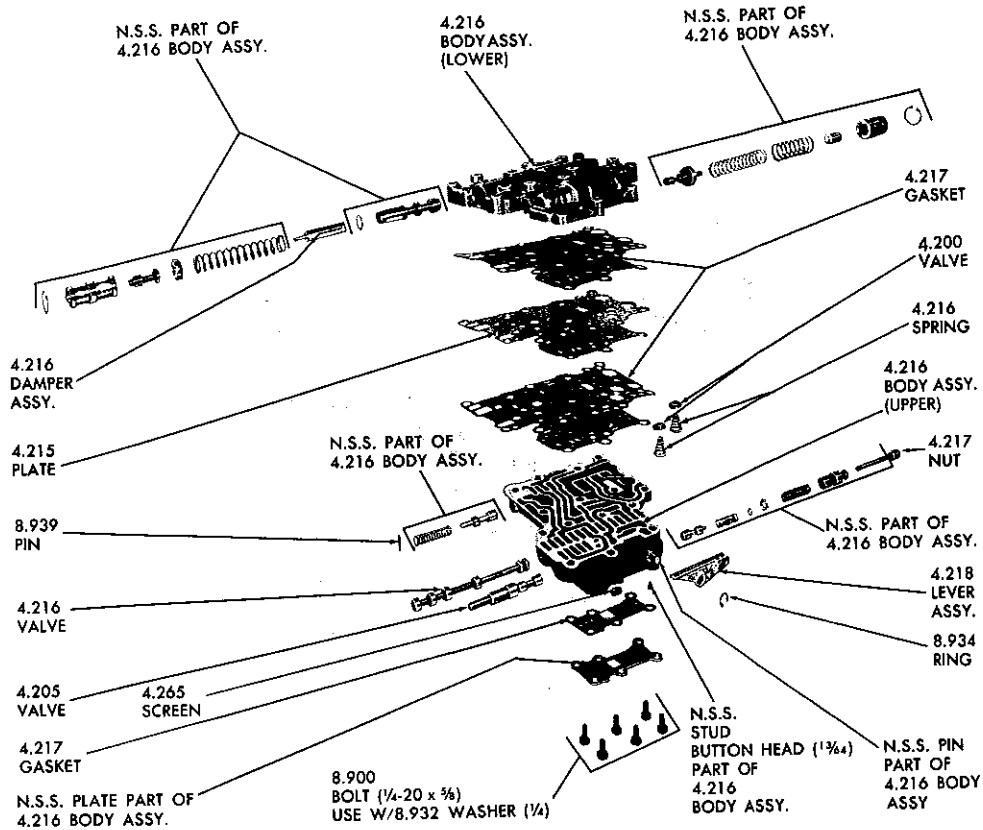


4-43

1962-71 ALUMINUM POWERGLIDE TRANSMISSION CASE AND LINKAGE

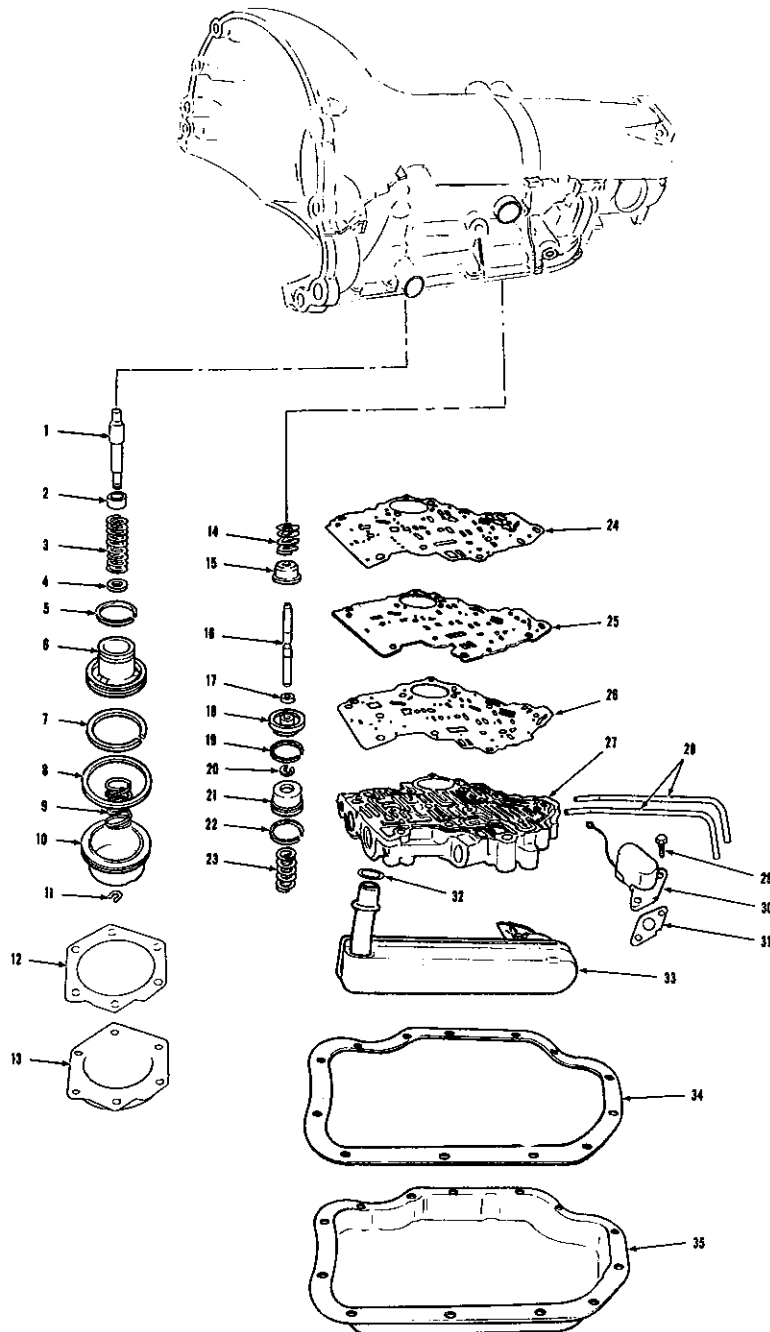


1962-71 ALUMINUM POWERGLIDE TRANSMISSION GOVERNOR—EXPLODED



4-44

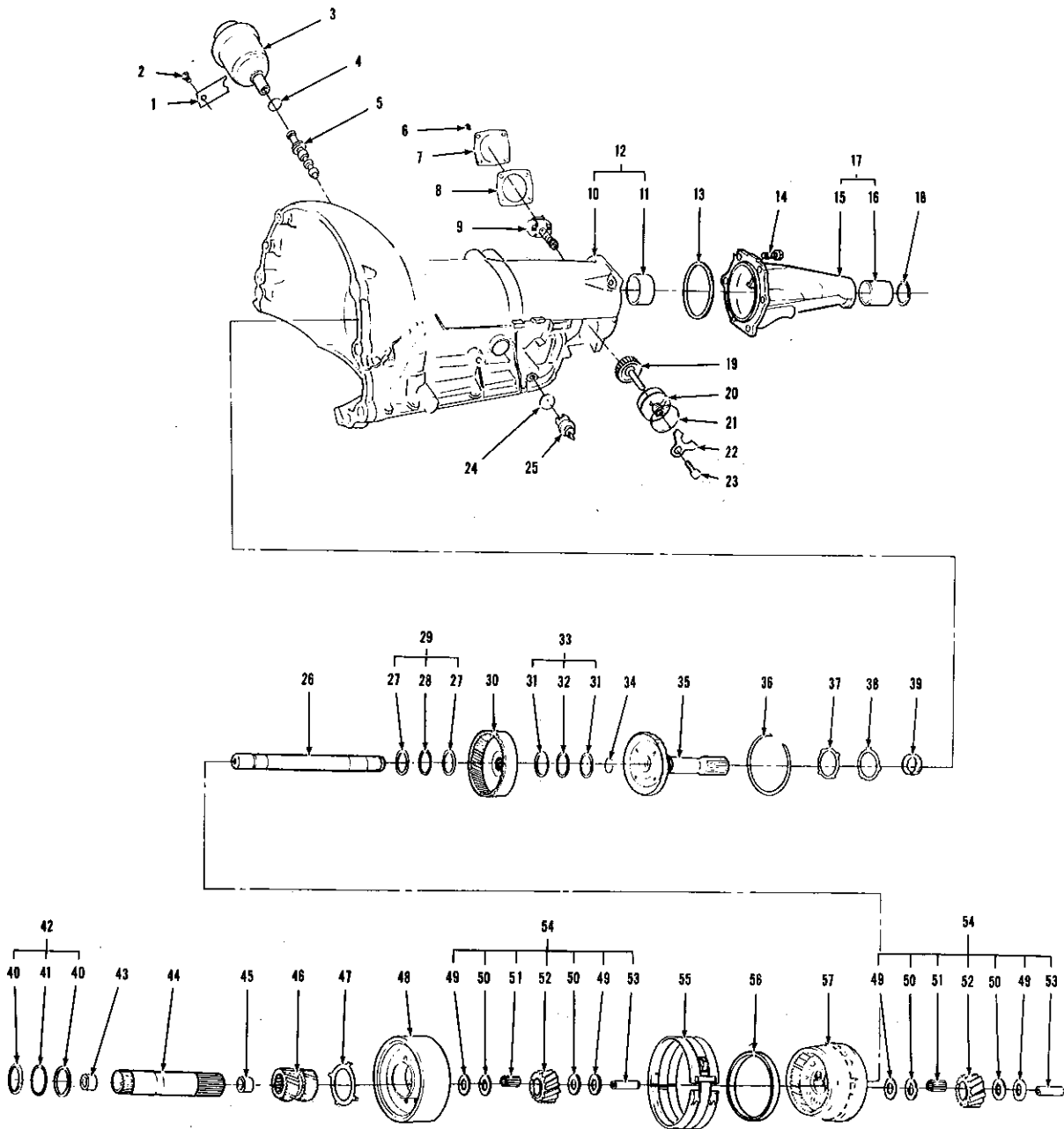
**1962-71 ALUMINUM POWERGLIDE TRANSMISSION VALVE BODY—
EXPLODED**



4-48

TURBO HYDRA-MATIC 400 FRONT & REAR SERVOS & CONTROL VALVE

- | | | | | | |
|-----|-------|---|-----|-------|---|
| 1. | 4.241 | PIN, Rear Servo Rear Band Apply | 19. | 4.229 | RING, Front Servo Piston Oil Seal |
| 2. | 4.247 | RETAINER, Rear Servo Piston Spring | 20. | 4.246 | RING, Front Servo Retainer—Snap |
| 3. | 4.246 | SPRING, Rear Servo | 21. | 4.228 | PISTON, Accumulator Front |
| 4. | 4.241 | WASHER, Rear Servo Piston | 22. | 4.229 | RING, Accumulator Piston Oil Seal |
| 5. | 4.242 | RING, Accumulator Piston Oil Seal—Inner | 23. | 4.246 | SPRING, Accumulator Piston—Front |
| 6. | 4.241 | PISTON, Accumulator | 24. | 4.265 | GASKET, Case to Spacer |
| 7. | 4.242 | RING, Accumulator Piston Oil Seal—Outer | 25. | 4.265 | SPACER, Valve Body |
| 8. | 4.242 | SEAL, Rear Servo Piston | 26. | 4.265 | GASKET, Valve Body to Spacer |
| 9. | 4.246 | SPRING, Rear Accumulator | 27. | 4.265 | VALVE ASM., Trans. Control |
| 10. | 4.241 | PISTON, Servo—Rear | 28. | 4.248 | PIPE, Governor Oil |
| 11. | N.S. | RING, Servo Piston Retainer—Snap | 29. | 8.900 | BOLT, Solenoid to Valve Body (1/4"—20 x 3/4") |
| 12. | 4.241 | GASKET, Rear Servo Cover | 30. | 4.265 | SOLENOID, Trans. |
| 13. | 4.241 | COVER, Rear Servo | 31. | 4.265 | GASKET, Solenoid Valve |
| 14. | 4.228 | SPRING, Front Servo | 32. | 4.197 | SEAL, Oil Suction Pipe to Case |
| 15. | 4.226 | RETAINER, Front Servo Spring | 33. | 4.197 | FILTER, Trans. Oil |
| 16. | 4.228 | PIN, Front Servo Piston | 34. | 4.196 | GASKET, Trans. Oil Pan |
| 17. | 4.228 | WASHER, Servo Piston | 35. | 4.195 | PAN, Trans. Oil |
| 18. | 4.228 | PISTON, Front Servo | | | |

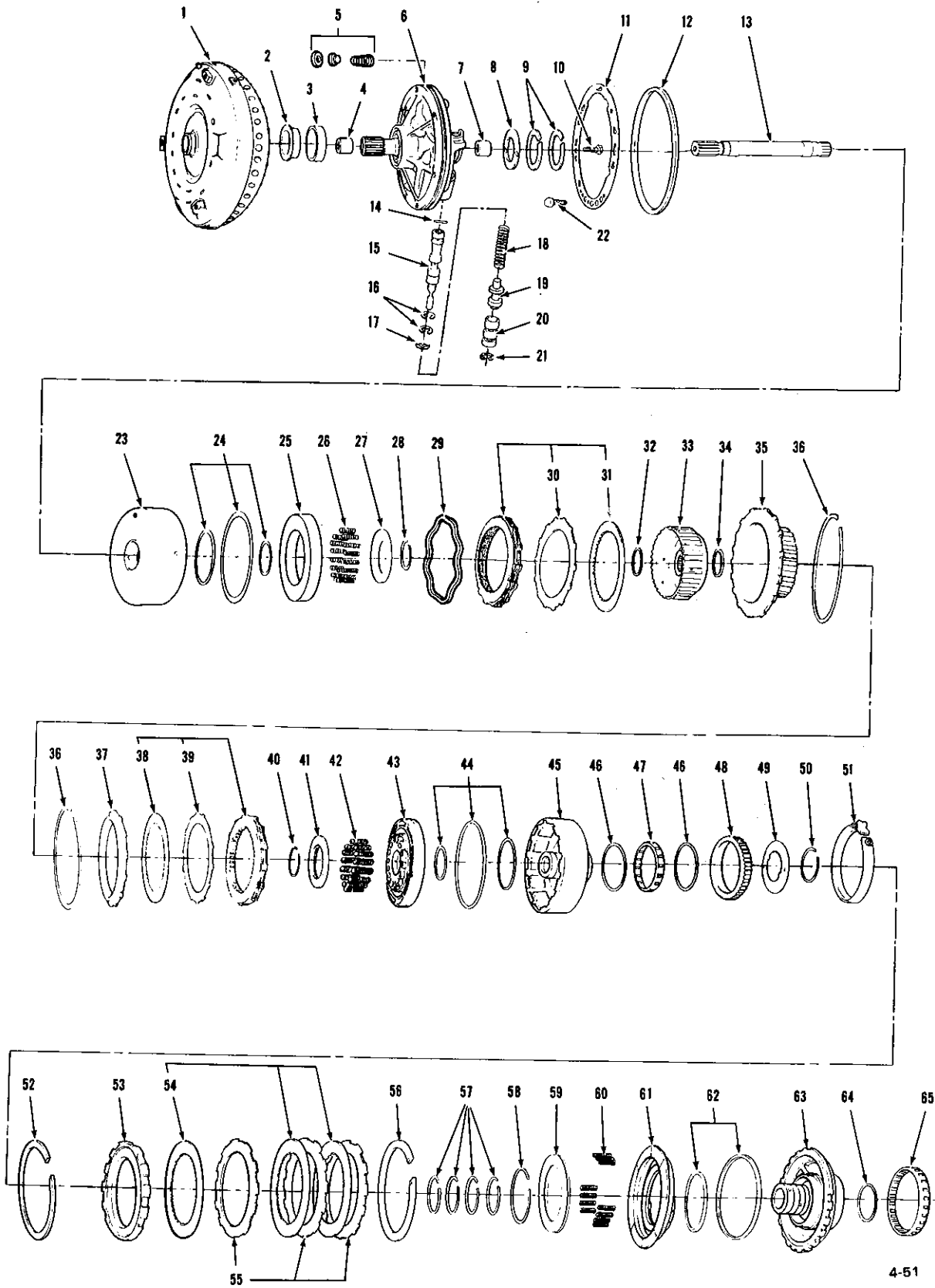


4-50

TURBO HYDRA-MATIC 400 CASE, EXTENSION & PLANET CARRIER PARTS

TURBO HYDRA-MATIC CASE, EXTENSION & PLANET CARRIER PARTS

- | | | | | | |
|-----|-------|--|-----|-------|---|
| 1. | 4.205 | RETAINER, Vacuum Modulator | 31. | N.S. | RACE, Rear Internal Gear to Output Shaft Bearing |
| 2. | 8.900 | BOLT, Retainer to Case (5/16"–18 x 9/16") | 32. | N.S. | BEARING, Rear Internal Gear to Output Shaft |
| 3. | 4.205 | MODULATOR ASM., Vacuum | 33. | 4.187 | BEARING & RACES KIT, Rear Internal Gear to Output Shaft |
| 4. | 4.205 | SEAL, Vacuum Modulator | 34. | 4.172 | RING, Mainshaft Snap |
| 5. | 4.205 | VALVE, Vacuum Modulator | 35. | 4.175 | SHAFT & PLUG ASM., Output |
| 6. | 8.900 | BOLT, Governor Cover to Case (5/16"–18 x 9/16") | 36. | 4.176 | RING, Output Shaft to Front Internal Gear – Snap |
| 7. | 4.256 | COVER, Governor | 37. | 4.176 | WASHER, Output Shaft to Case Thrust |
| 8. | 4.256 | GASKET, Governor Cover | 38. | 4.176 | WASHER, Output Shaft to Case – Selective (.078 to .122) |
| 9. | 4.256 | GOVERNOR ASM., Trans. | 39. | 4.343 | GEAR, Speedometer Drive |
| 10. | N.S. | CASE, Trans. | 40. | N.S. | RACE, Center Support to Sun Gear Thrust Bearing |
| 11. | 4.104 | BUSHING, Trans. Case | 41. | N.S. | BEARING, Center Support to Sun Gear Thrust |
| 12. | 4.103 | CASE ASM., Trans. | 42. | 4.159 | BEARING & RACES KIT, Center Support to Sun Gear Thrust |
| 13. | 4.318 | SEAL, Case Extension to Case | 43. | 4.161 | BUSHING, Sun Gear Shaft |
| 14. | 8.900 | BOLT, Extension to Case (3/8"–16 x 1") | 44. | 4.161 | SHAFT ASM., Sun Gear – Includes Bushings |
| 15. | N.S. | EXTENSION, Case | 45. | 4.161 | BUSHING, Sun Gear Shaft |
| 16. | 4.319 | BUSHING, Case Extension | 46. | 4.159 | GEAR, Sun |
| 17. | 4.317 | EXTENSION ASM., Case | 47. | 4.176 | WASHER, Reaction Carrier to Output Carrier |
| 18. | 4.318 | SEAL, Case Extension Oil | 48. | 4.175 | CARRIER ASM., Reaction—Complete |
| 19. | 4.337 | GEAR, Speedometer Driven | 49. | N.S. | WASHER, Pinion Thrust—Bronze |
| 20. | 4.338 | SLEEVE & SEAL ASM., Speedometer Driven Gear | 50. | N.S. | WASHER, Pinion Thrust – Steel |
| 21. | 4.338 | SEAL, Speedo Gear Sleeve to Case | 51. | N.S. | BEARING, Output & Reaction Carrier Roller |
| 22. | 4.338 | RETAINER, Speedo Driven Gear Sleeve | 52. | N.S. | PINION, Planet |
| 23. | 8.900 | BOLT, Retainer to Case (5/16"–18 x 5/8") | 53. | N.S. | PIN, Planet Pinion |
| 24. | 4.205 | SEAL, Connector to Case | 54. | 4.175 | PINION KIT, Output & Reaction Carrier |
| 25. | 4.265 | CONNECTOR, Downshift Solenoid Valve—Single Male | 55. | 4.251 | BAND ASM., Rear Brake – Complete |
| 26. | 4.172 | SHAFT & PLUG ASM., Trans. Main Thrust Brg. | 56. | 4.176 | RING, Front Internal Gear |
| 27. | N.S. | RACE, Sun Gear to Rear Internal Gear Thrust Brg. | 57. | 4.175 | CARRIER ASM., Output – Complete |
| 28. | N.S. | BEARING, Sun Gear to Rear Internal Gear Thrust | | | |
| 29. | 4.159 | BEARING & RACES KIT, Sun Gear to Rear Internal Gear Thrust | | | |
| 30. | 4.187 | GEAR, Rear Internal Main Shaft | | | |



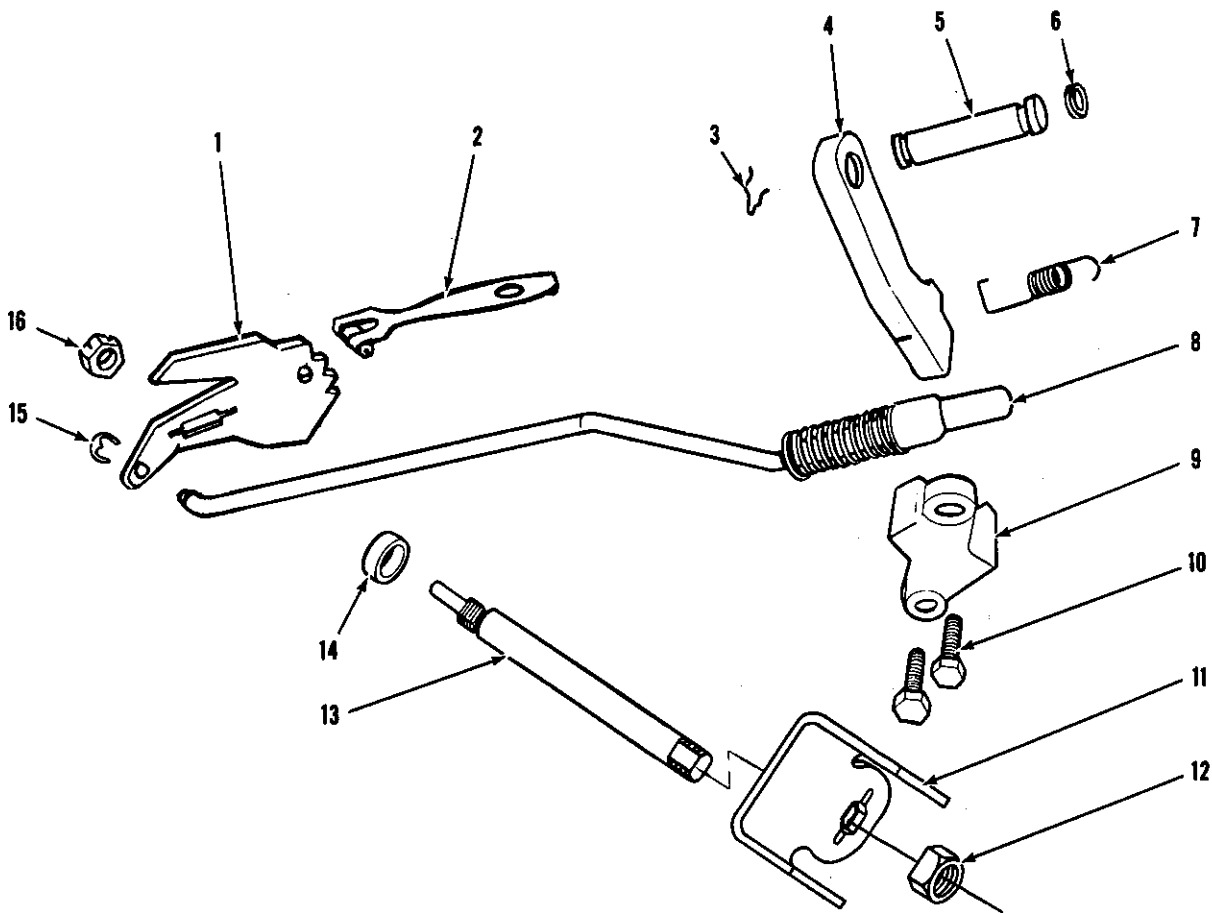
TURBO HYDRA-MATIC 400 PUMP, FORWARD & DIRECT CLUTCH & CENTER SUPPORT

4-51

TURBO HYDRA-MATIC PUMP, FORWARD & DIRECT CLUTCH & CENTER SUPPORT

- | | | | | | |
|-----|--------|--|-----|-------|--|
| 1. | 4.115 | CONVERTER ASSY. | 35. | 4.164 | HUB, Direct Clutch |
| 2. | 4.226 | SEAL, Pump Body | 36. | 4.164 | RING, Forward & Direct Clutch – Snap |
| 3. | 4.226 | BUSHING, Pump Body | 37. | 4.163 | PLATE, Direct Clutch Backing |
| 4. | 4.226 | BUSHING, Oil Pump Stator Shaft | 38. | 4.163 | PLATE, Forward & Direct Clutch Drive |
| 5. | N.S.S. | PART OF PUMP ASSY. | 39. | 4.163 | PLATE, Direct Clutch Driven |
| 6. | 4.224 | PUMP ASM., Trans. Complete | 40. | 4.164 | RING, Retainer to Clutch Housing – Snap |
| 7. | 4.226 | BUSHING, Oil Pump Stator Shaft | 41. | 4.164 | RETAINER, Clutch Piston Spring |
| 8. | 4.169 | WASHER, Pump Cover to Forward Clutch Drum (.060 to .130) | 42. | 4.164 | SPRING, Direct Clutch Piston Release – Black |
| 9. | 4.162 | RING, Front Pump to Forward Clutch | 43. | 4.166 | PISTON ASM., Direct Clutch |
| 10. | 8.900 | BOLT, Pump to Stator (5/16"–18 x 1-1/2") | 44. | 4.166 | SEALS KIT, Forward & Direct Clutch Piston |
| 11. | 4.226 | GASKET, Pump Cover to Case | 45. | 4.169 | HOUSING & RACE, Direct Clutch |
| 12. | 4.226 | SEAL, Oil Pump to Case | 46. | N.S. | BUSHINGS, Intermediate Clutch Sprag (Part of #47) |
| 13. | 4.123 | SHAFT, Trans. Turbine | 47. | 4.167 | SPRAG & BUSHING, Intermediate Clutch |
| 14. | 4.226 | PIN, Trans. Oil Pump (.13 dia. x 1.33) straight) | 48. | 4.168 | RACE, Intermediate Clutch Outer |
| 15. | 4.216 | VALVE & PLUG ASM., Pressure Regulator | 49. | 4.167 | RETAINER, Intermediate Clutch |
| 16. | 4.216 | SPACER, Pressure Regulator Valve | 50. | 4.167 | RING, Intermediate Clutch Sprag Retainer to Direct Clutch Housing – Snap |
| 17. | 4.216 | WASHER, Pressure Regulator Valve Spring Retainer | 51. | 4.251 | BAND ASM., Trans. Brake – Front |
| 18. | 4.216 | SPRING, Pressure Regulator Valve | 52. | 4.164 | RING, Intermediate Clutch Retaining – Snap |
| 19. | N.S. | VALVE, Pressure Regulator Boost | 53. | 4.163 | PLATE, Intermediate Clutch Backing |
| 20. | N.S. | BUSHING, Pressure Regulator Boost Valve | 54. | 4.163 | PLATE, Intermediate Clutch Driving |
| 21. | 4.162 | RING, Regulator Bushing Retaining | 55. | 4.163 | PLATE, Intermediate Clutch Reaction |
| 22. | 4.226 | BOLT ASM. KIT, Pump to Case | 56. | 4.162 | RING, Center Support to Case – Snap |
| 23. | 4.169 | HOUSING, Forward Clutch | 57. | 4.162 | RING, Center Support & Direct Clutch Oil Seal |
| 24. | 4.166 | SEALS KIT, Forward & Direct Piston | 58. | 4.164 | RING, Intermediate Clutch Spring Retainer to Support – Snap |
| 25. | 4.166 | PISTON, Forward Clutch | 59. | 4.164 | RETAINER, Intermediate Clutch Spring |
| 26. | 4.164 | SPRING, Forward Clutch Piston Release – Blue | 60. | 4.164 | SPRING, Intermediate Clutch Release |
| 27. | 4.164 | RETAINER, Clutch Piston Spring | 61. | 4.166 | PISTON, Intermediate Clutch |
| 28. | 4.164 | RING, Retainer to Clutch Housing–Snap | 62. | 4.166 | SEALS KIT, Intermediate Clutch Piston |
| 29. | 4.163 | PLATE, Forward Clutch Driven – Wave | 63. | 4.162 | SUPPORT & RACE ASM., Trans. Center |
| 30. | 4.163 | PLATE, Forward Clutch Driven | 64. | 4.162 | WASHER, Support to Reaction Drum – Thrust |
| 31. | 4.163 | PLATE, Forward & Direct Clutch Drive | 65. | 4.180 | SPRAG ASM., Trans. Low Clutch |
| 32. | N.S. | WASHER, Clutch Hub to Clutch Housing Thrust | | | |
| 33. | 4.164 | HUB, Forward Clutch | | | |
| 34. | 4.164 | WASHER, Clutch Hub to Direct Clutch Thrust | | | |

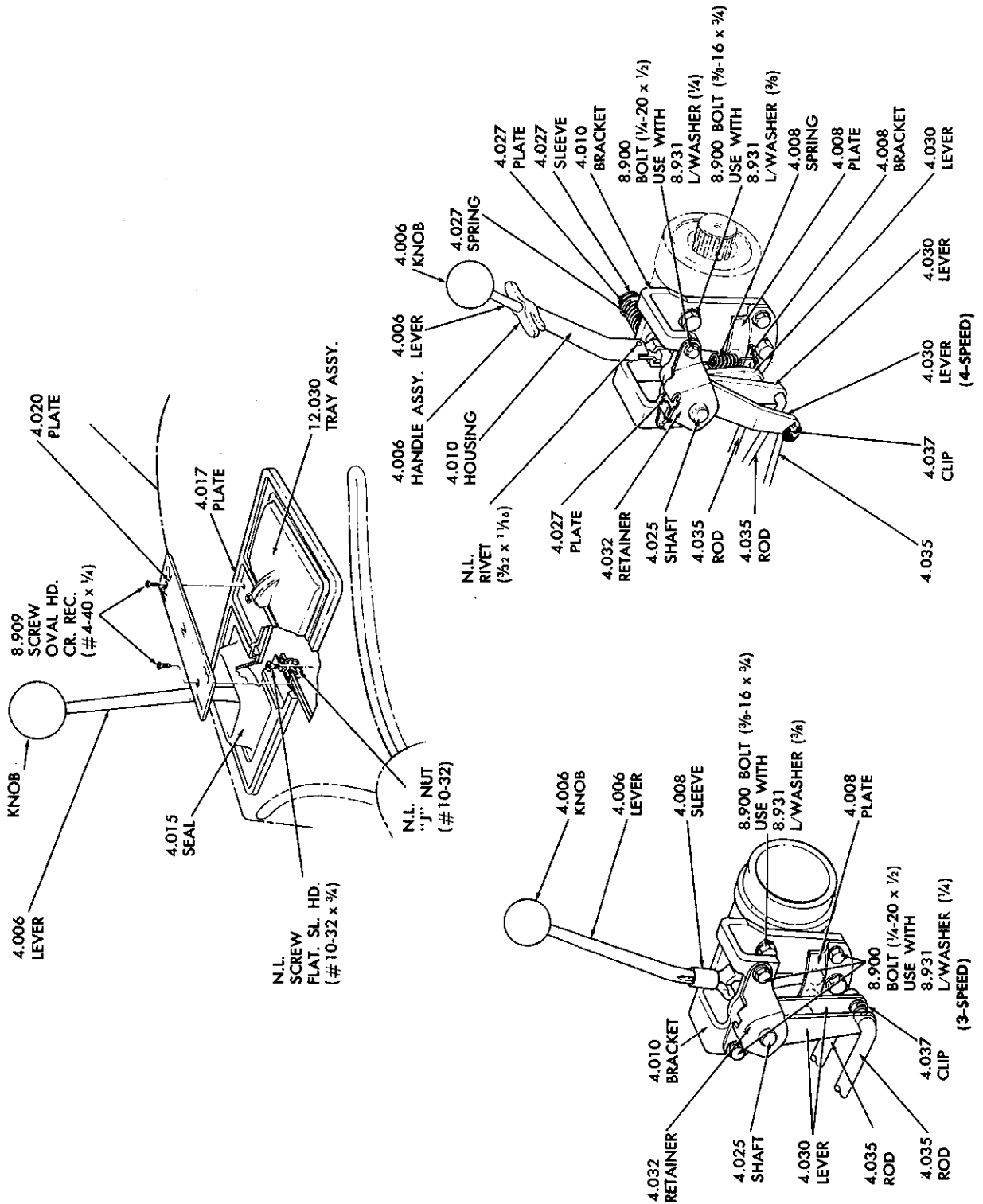
4-51



4-49

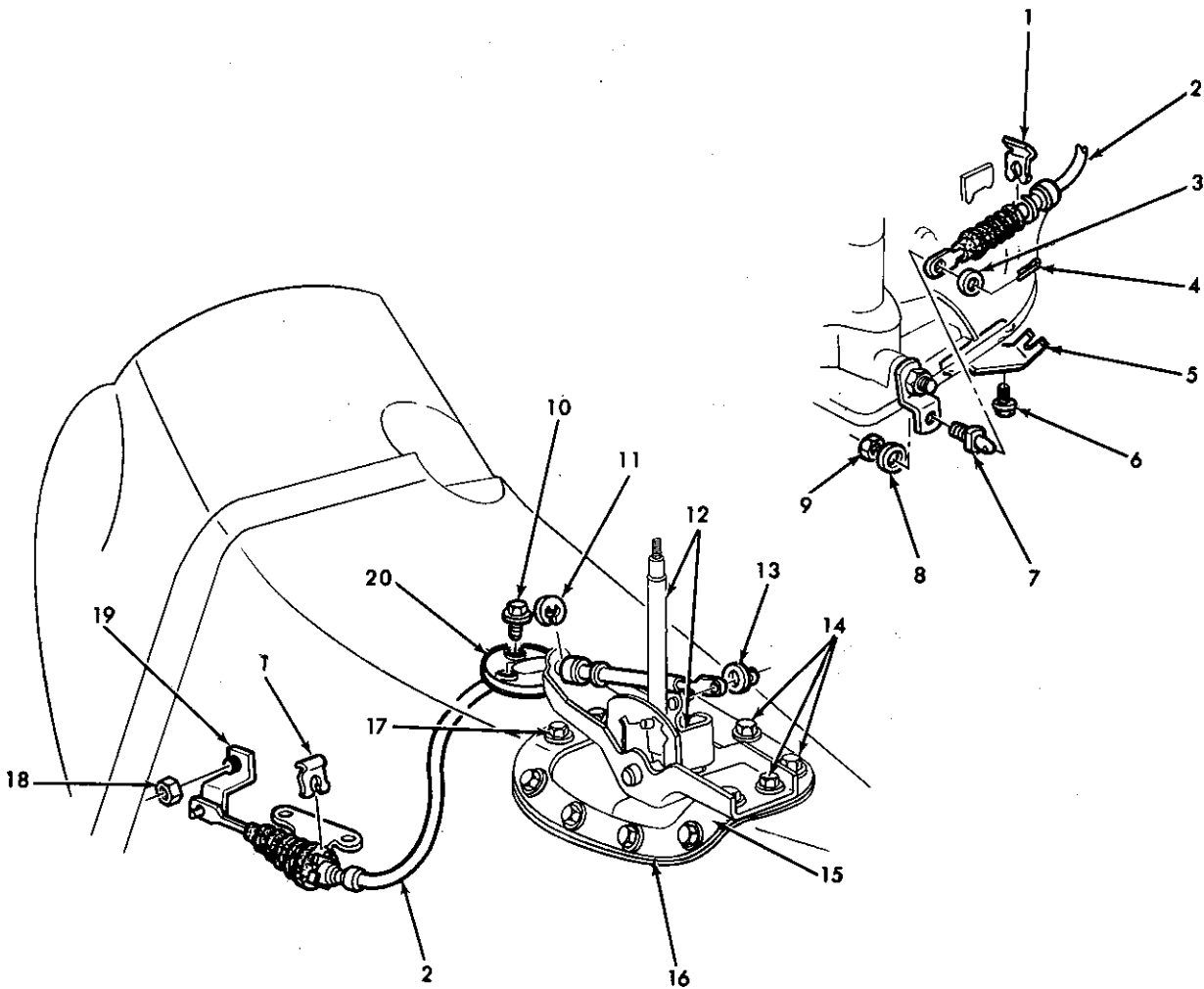
TURBO HYDRA-MATIC PARKING LOCK & RANGE SELECTOR PARTS

- | | | | |
|----------|---|-----------|--|
| 1. 4.279 | LEVER & PIN ASM., Parking Brake Inside Detent | 9. 4.290 | BRACKET, Parking Brake |
| 2. 4.293 | ROLLER & SPRING, Parking Brake Manual Detent | 10. 8.900 | BOLT, Bracket to Case (5/16" - 18 x 3/4") |
| 3. 8.934 | RETAINER, Parking Brake Pawl (1/4" Dia.) | 11. 4.045 | LEVER, Range Selector Outer |
| 4. 4.294 | PAWL, Trans. Parking Brake | 12. 8.915 | NUT, Lever to Shaft (3/8" - 16) |
| 5. 4.294 | SHAFT, Parking Brake Pawl | 13. 4.275 | SHAFT, Parking Brake Manual |
| 6. 4.294 | SEAL, Parking Brake Pawl Shaft "O" Ring | 14. 4.275 | SEAL ASM., Manual Shaft |
| 7. 4.295 | SPRING, Parking Brake Pawl Return | 15. 8.934 | RING, Actuator to Lever & Pin (1/4" dia.) |
| 8. 4.294 | ACTUATOR ASM., Parking Brake | 16. 8.915 | NUT, Manual Shaft to Lever & Pin (3/8" - 24) |



1957-63 CORVETTE 3-4 SPEED TRANSMISSION CONTROLS

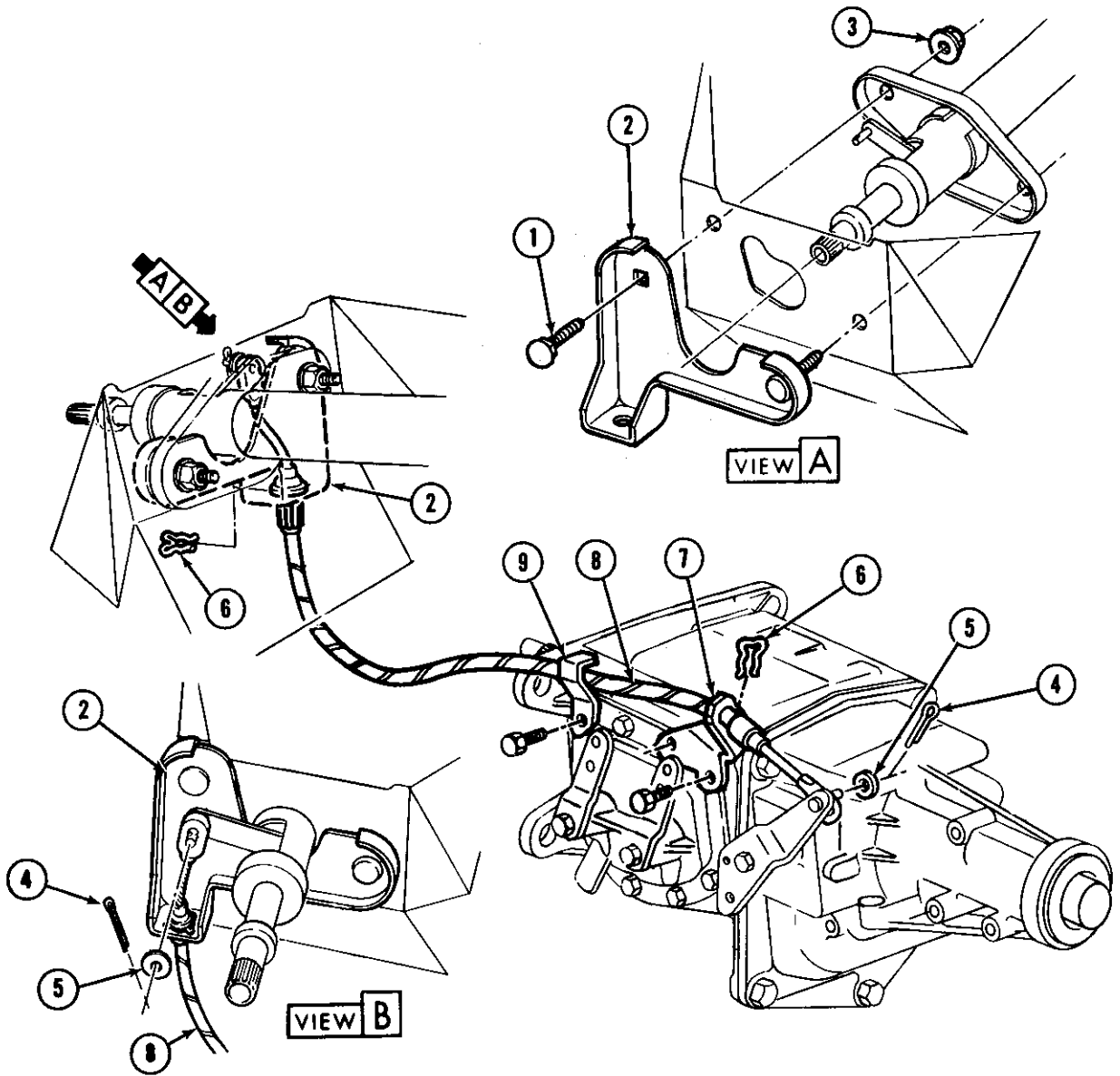
4-170



4-184

1968-72 CORVETTE AUTOMATIC TRANSMISSION CONTROL CABLE

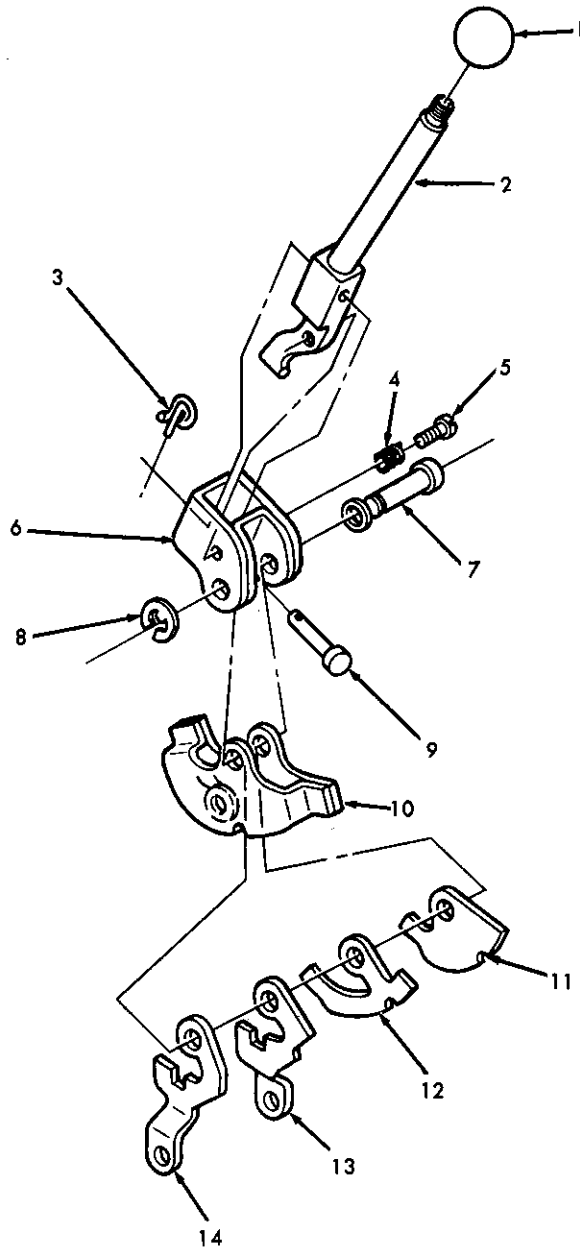
| | | | | | |
|-----------|----------------------|---------|-----------|------------------------------|---------|
| 1. 4.681 | RETAINER | 476737 | N.S. | RING | |
| 2. 4.047 | CABLE ASSY. | 3958079 | 12. 4.004 | LEVER and BRACKET ASSY. | 3921660 |
| 3. 8.929 | WASHER (9/32) | | 13. N.S. | SNAP | |
| 4. 8.938 | PIN (3/32 x 5/8) | | 14. 8.900 | BOLT (#10-24 x 3/4) | |
| 5. 4.047 | BRACKET | 9788709 | 15. 4.022 | RETAINER | 3922321 |
| 6. 8.900 | BOLT (5/16-18 x 3/4) | | 16. 4.015 | SEAL | 3922319 |
| 8.931 | WASHER (5/16) | | 4.022 | PLATE | 3922322 |
| 7. 4.047 | PIN | 9779348 | 17. 8.977 | RIVET | |
| 8. 8.929 | WASHER (3/8) | | 18. 8.915 | NUT (3/8-16) | |
| 9. 8.915 | NUT (3/8-16) | | 19. 4.045 | LEVER | 3949083 |
| 10. 8.977 | SCREW | | 20. 4.015 | RETAINER | 3923618 |



4-560

1975 CORVETTE INTERLOCK LINKAGE

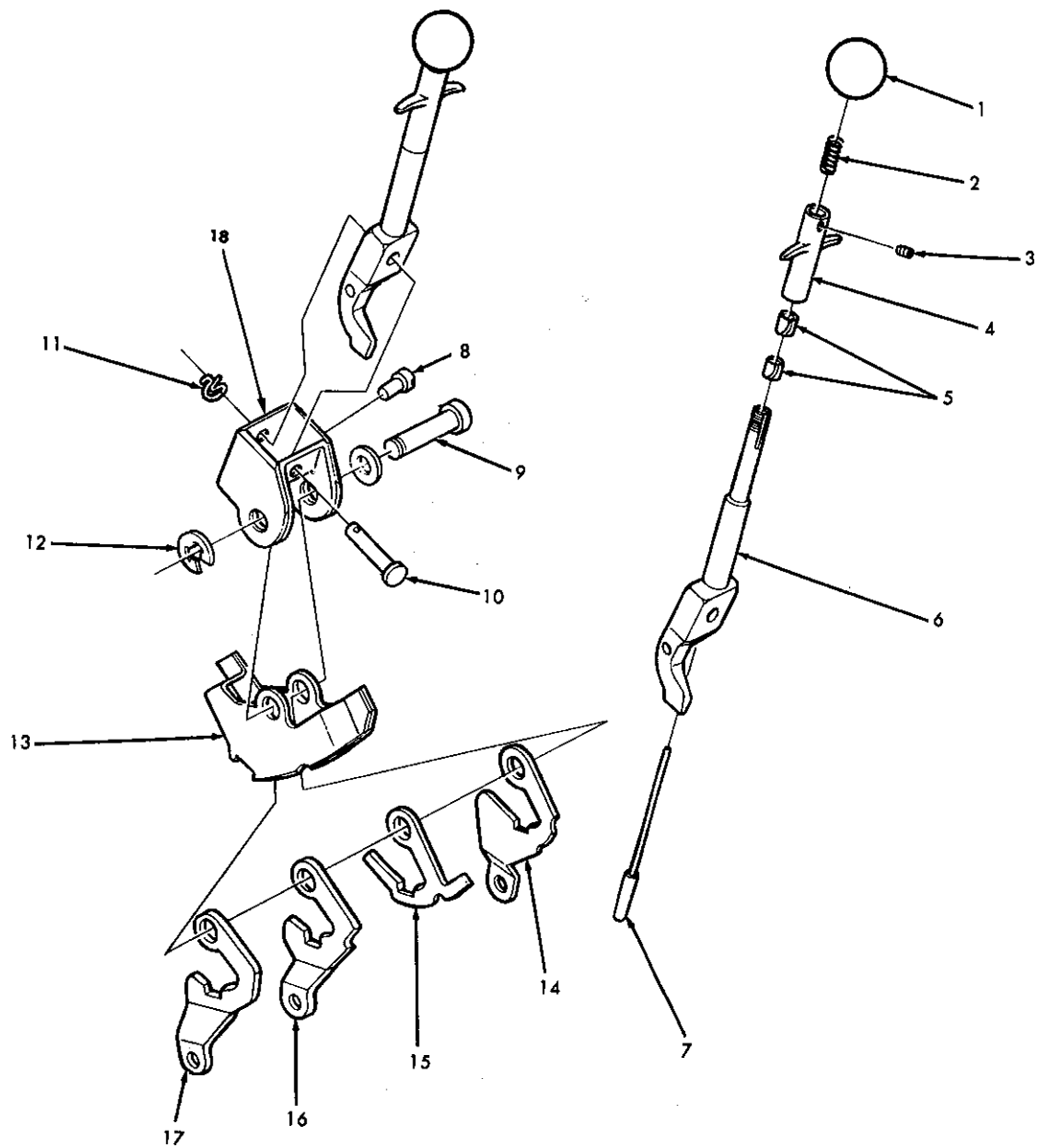
| | | | | | | | |
|----|-------|---------------------------|---------|----|-------|---------------------------------|---------|
| 1. | 8.900 | BOLT—5/16—18 x 1 1/2 | | 7. | 4.070 | BRACKET—Trans. Cont. Lk. | |
| 2. | 4.070 | BRACKET ASM.—Trans. Cont. | | | | Cable | 339746 |
| | | Lk. Cbl. | 3949076 | 8. | 4.070 | CABLE ASM.—Trans. Cont. Lock | |
| 3. | 8.917 | NUT—Hx. Flange 5/16—18 | | | | (w/4-Spd.) | 3949074 |
| 4. | 8.938 | C. PIN—3/32 x 1/2 | | 9. | 4.070 | CLIP—Trans. Cont. Lk. Cbl. | 3960620 |
| 5. | 3.425 | P. WASHER—9/32 | 3718496 | | | | |
| 6. | 4.785 | RETAINER—Pk. Brk. Frt. | | | | | |
| | | Cable | 3875092 | | | | |



4-179

1965-67 CORVETTE 3-SPD. SHIFT LEVER—EXPLODED

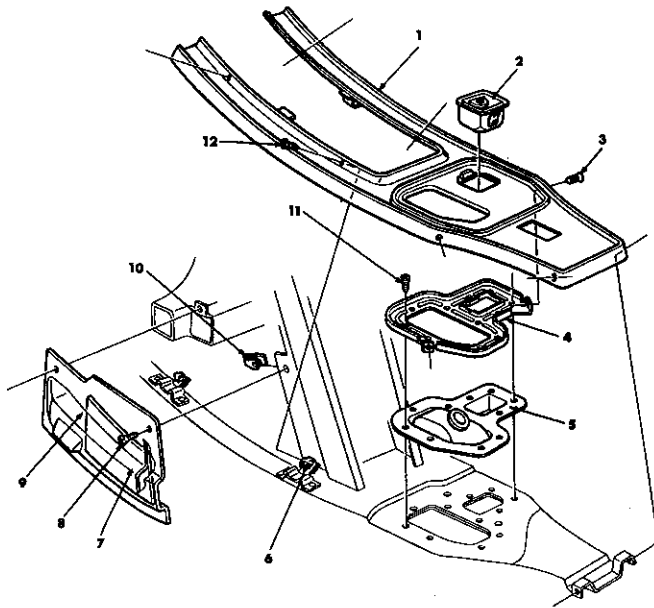
| | | | |
|---|---------|---------------------------------|---------|
| 1. 4.006 KNOB | 3857160 | 8. 4.032 RETAINER | 3841725 |
| 2. 4.006 LEVER ASSY | 3863360 | 9. 4.008 PIN | 3845746 |
| 3. 4.037 CLIP | 3749084 | 10. 4.010 BRACKET ASSY | 3846844 |
| 4. 4.008 SPRING | 3851767 | 11. 4.027 SPACER | 3851766 |
| 5. 4.008 SCREW | 3847966 | 12. 4.027 INTERLOCK | 3846900 |
| 6. N.S.S. BRACKET ASSY,—Part of 3857390 | | 13. 4.030 LEVER—1st & Rev. | 3850099 |
| 7. 4.025 SHAFT | 3841490 | 14. 4.030 LEVER—2nd & 3rd | 3850098 |



4-180

1964-67 CORVETTE 4-SPD. SHIFT LEVER—EXPLODED

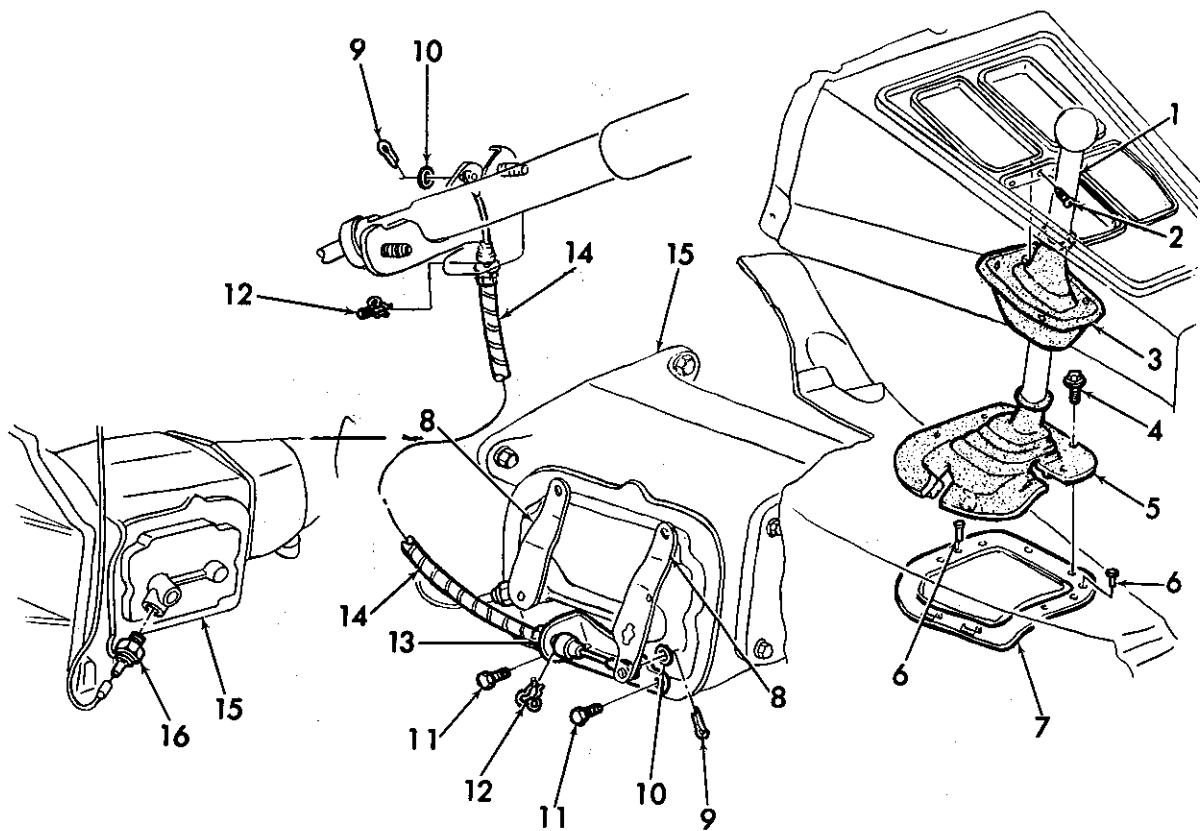
| | | | | | | | |
|----|-------|---------------------------|---------|-----|--------|----------------------------|---------|
| 1. | 4.006 | KNOB | 3857160 | 10. | 4.008 | PIN | 3845746 |
| 2. | 4.008 | SPRING | 3846840 | 11. | 4.037 | CLIP | 3749084 |
| 3. | 8.975 | SCREW (6--32 x 1/4) | | 12. | 4.027 | RETAINER | 3841725 |
| 4. | 4.006 | HANDLE | 3901033 | 13. | 4.030 | BRACKET | 3846844 |
| 5. | 4.008 | BUSHING | 3845636 | 14. | 4.030 | LEVER—REVERSE | 3841487 |
| 6. | 4.006 | LEVER ASSY. | 3863363 | 15. | 4.027 | INTERLOCK | 3846845 |
| 7. | 4.006 | CABLE ASSY. | 3889461 | 16. | 4.030 | LEVER—1st & 2nd | 3841488 |
| 8. | 4.008 | PIN | 3859759 | 17. | 4.030 | LEVER—3rd & 4th | 3850111 |
| 9. | 4.025 | SHAFT | 3841490 | 18. | N.S.S. | Part of 4.010 BRACKET UNIT | |



4-185

1964-66 CORVETTE FLOOR CONSOLE

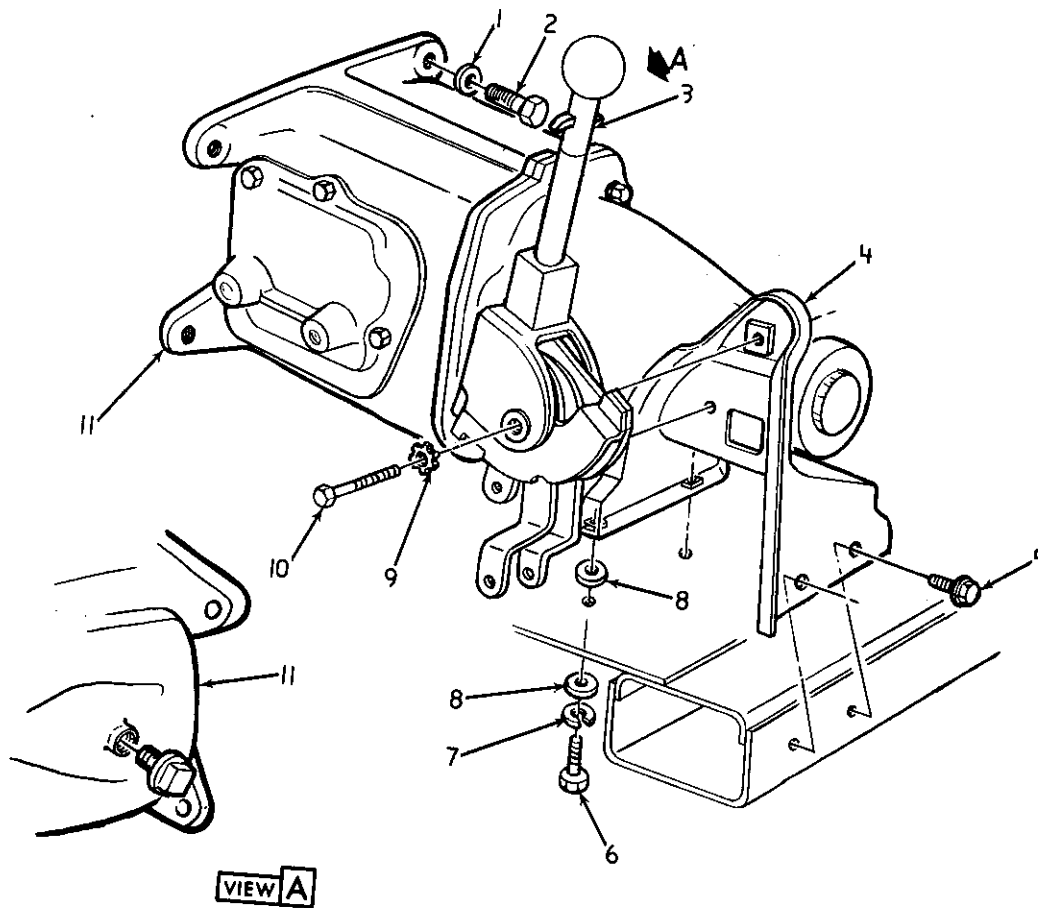
| | | | | | | |
|----|---------------------------|-----------------------|---------|-----|---------------------------|---------|
| 1. | 4.017 PLATE |1964 | 3900308 | 6. | 8.921 NUT (#8-15-J) | |
| | 4.017 PLATE |(exc. P.G.) 1965 | 3900308 | 7. | 14.655 BAFFLE | 3850047 |
| | 4.017 PLATE |(w/P.G.)1965 | 3900310 | 8. | N.L. SCREW (#10-12 x 5/8) | |
| 2. | 12.030 TRAY ASSEMBLY | | 3823400 | 9. | 10.230 PANEL | 3850045 |
| 3. | 8.977 SCREW (#8-18 x 1/2) | | | 10. | 8.921 NUT (#10-12-U) | |
| 4. | 4.015 RETAINER | | 3849008 | 11. | N.L. SCREW (#10-24 x 1/2) | |
| 5. | 4.015 SEAL |1964 | | 12. | 8.977 SCREW (#8-18 x 3/4) | |
| | |1965 | 3866183 | | | |



4-184A

1970-72 CORVETTE INTERLOCK LINKAGE, CONTROL LEVER & T.C.S. SWITCH

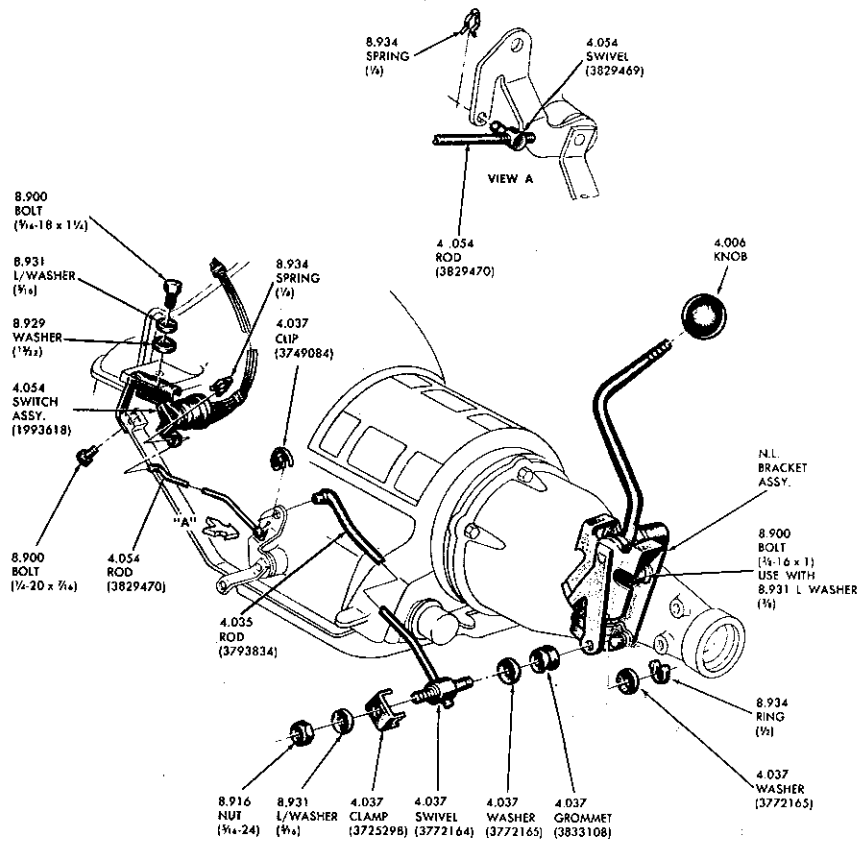
| | | | | | |
|----|----------------------------------|---------|-----|--|---------|
| 1. | 4.004 LEVER ASSY. | 3960607 | 9. | 8.938 C. PIN (3/32 x 5/8) | |
| 2. | 8.977 SCREW (8-18 x 1/2) | | 10. | 3.425 WASHER | 3718496 |
| 3. | 4.015 BOOT ASSY.—Upper | 3977797 | 11. | 8.900 BOLT (5/16-18 x 7/8) | |
| 4. | 8.977 SCREW ASSY. (10-16 x 7/8) | | 12. | 4.785 RETAINER | 3875092 |
| 5. | 4.015 BOOT ASSY.—Lower | 3919731 | 13. | 4.047 BRACKET | 3953578 |
| 6. | 8.987 RIVET | | 14. | 4.070 CABLE ASSY. | 3949073 |
| 7. | 4.015 PLATE | 3922318 | 15. | 4.003 TRANSMISSION ASSY. | 3968036 |
| 8. | 4.045 LEVER ASSY. | 3949079 | 16. | 4.075 SWITCH ASSY. (T.H. 400) | 6462286 |
| | | | | 4.075 SWITCH ASSY. (Exc. T.H. 400) | 3961567 |



4-280

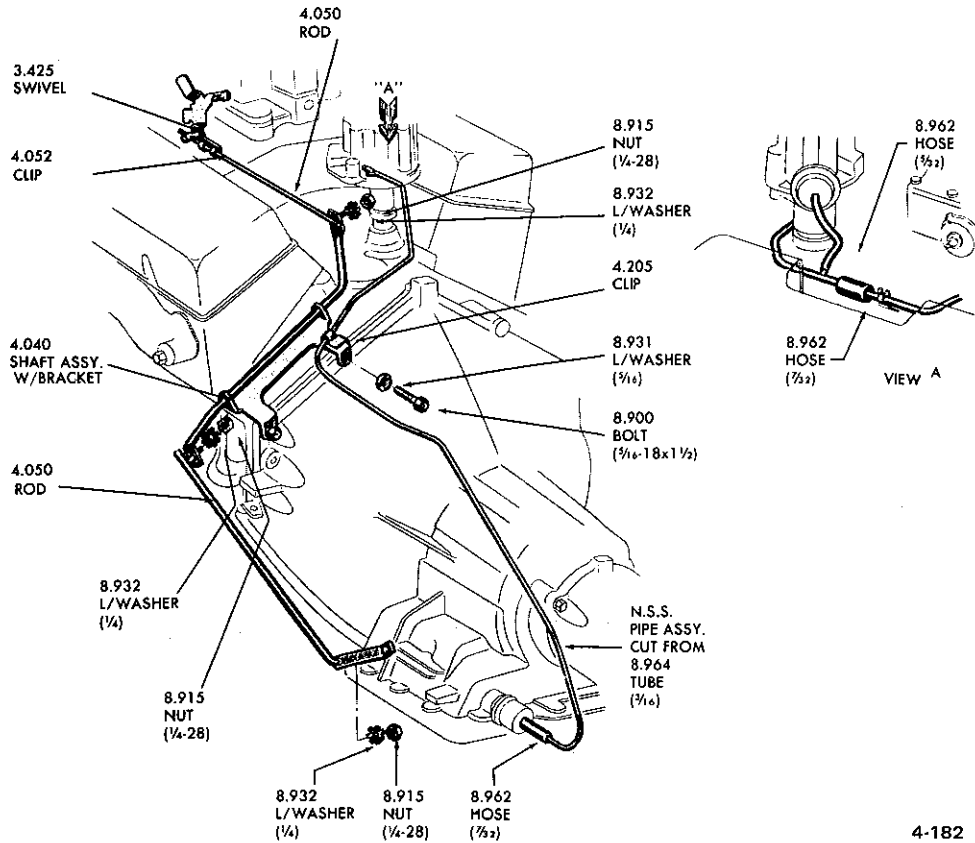
1971-72 CORVETTE TRANS. BRACKET ASSY. AND CONTROL LEVER

- | | |
|--|---|
| 1. 8.931 WASHER | 7. 8.931 WASHER (3/8) |
| 2. 8.900 BOLT (1/2-13 x 1 3/4) | 8. 8.929 WASHER (13/32) |
| 3. 4.004 LEVER AND BRACKET ASSY. 3960609 | 9. 8.932 WASHER (3/8) |
| 4. 4.010 SUPPORT ASSY. 3992325 | 10. 8.900 BOLT (3/8-16) |
| 5. 8.977 SCREW (5/16-18 x 3/4) | 11. 4.003 TRANS. & EXT. ASSY... 3981709 |
| 6. 8.900 BOLT (3/8-16 x 7/8) | |



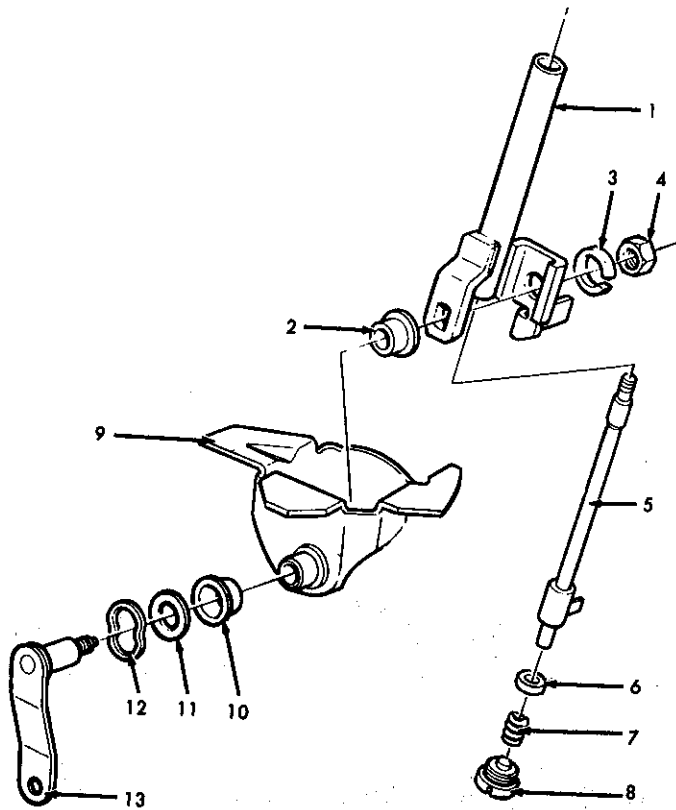
4-181

1963-64 CORVETTE AUTOMATIC TRANSMISSION FLOOR SHIFT



4-182

1963-67 CORVETTE AUTOMATIC TRANSMISSION CARBURETOR LINKAGE

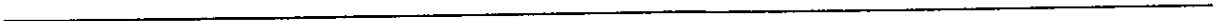


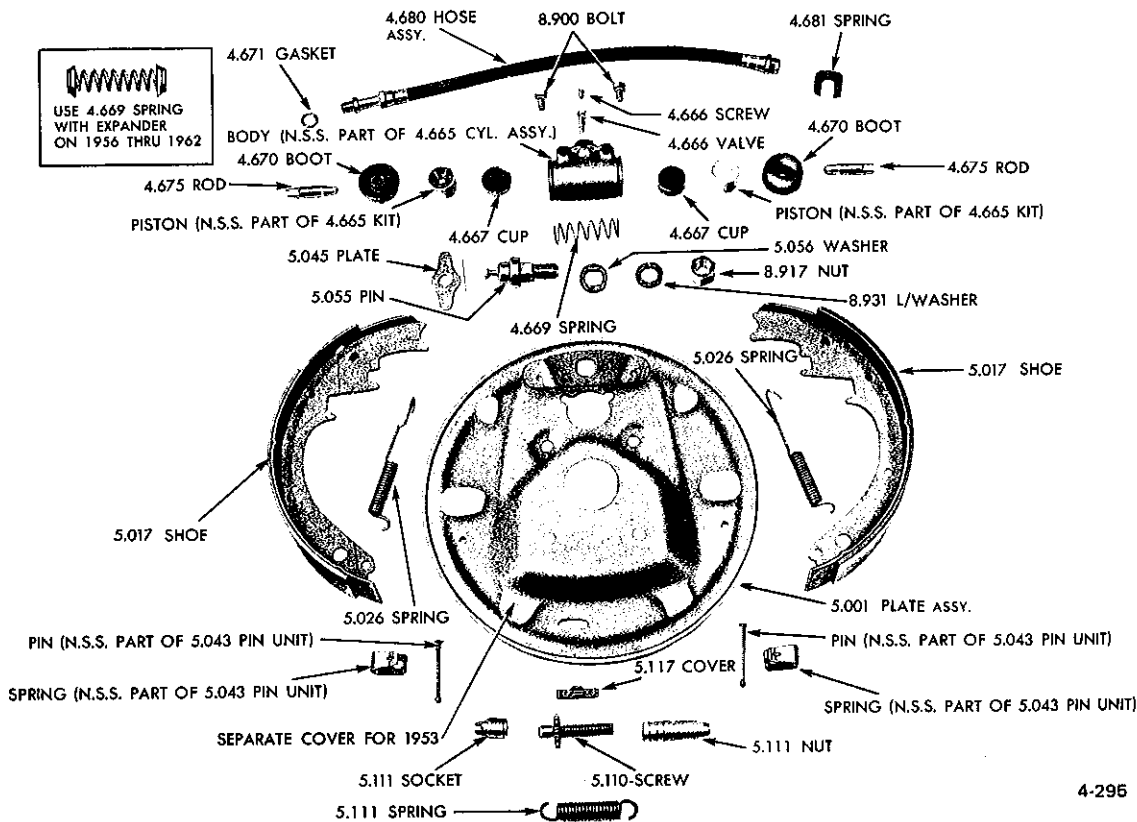
4-183

1965-67 CORVETTE POWERGLIDE SHIFT LEVER—EXPLODED

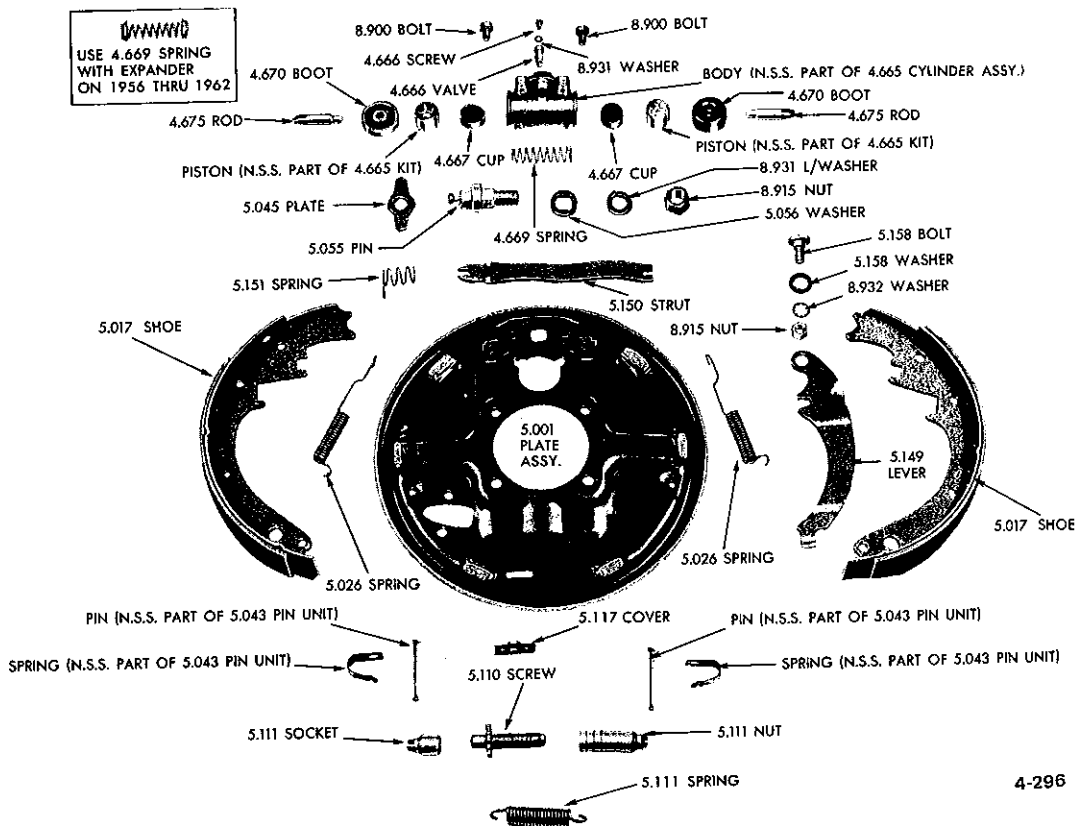
| | | | |
|-------------------------|---------|------------------------------------|---------|
| 1. 4.006 LEVER | 3877971 | 8. 4.008 PLUG | 3859792 |
| 2. 4.008 BUSHING | 3859797 | 9. 4.010 BRACKET ASSY..... | 3859785 |
| 3. 8.931 WASHER (5/16) | | 10. 4.008 BUSHING | 3859797 |
| 4. 8.915 NUT (5/16-18) | | 11. 8.931 WASHER (5/8) | |
| 5. 4.008 ROD ASSY. | 3859795 | 12. 8.928 WASHER (5/8) (Wave Type) | |
| 6. 4.022 WASHER | 3859790 | 13. 4.030 LEVER | 3859796 |
| 7. 4.027 SPRING | 3859791 | | |

GROUP 4.000
BRAKE SECTION

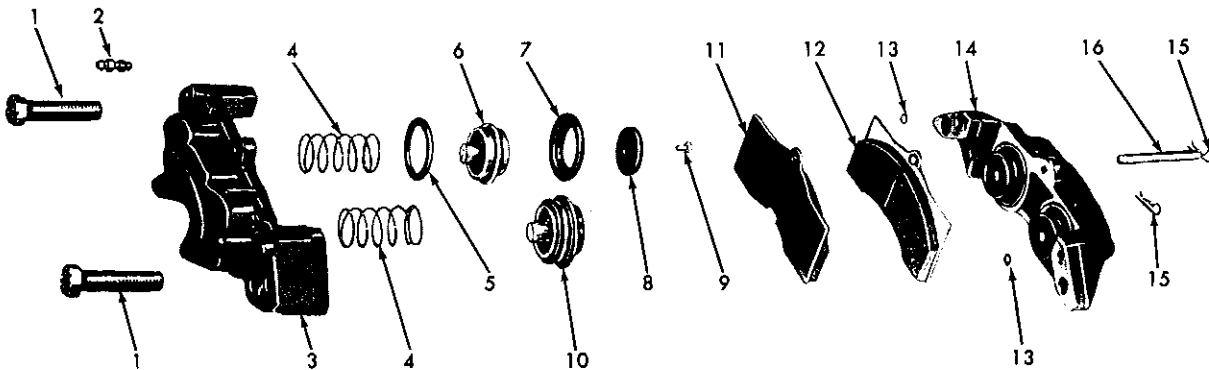




1953-62 BENDIX FRONT BRAKE PARTS (DUO SERVO)



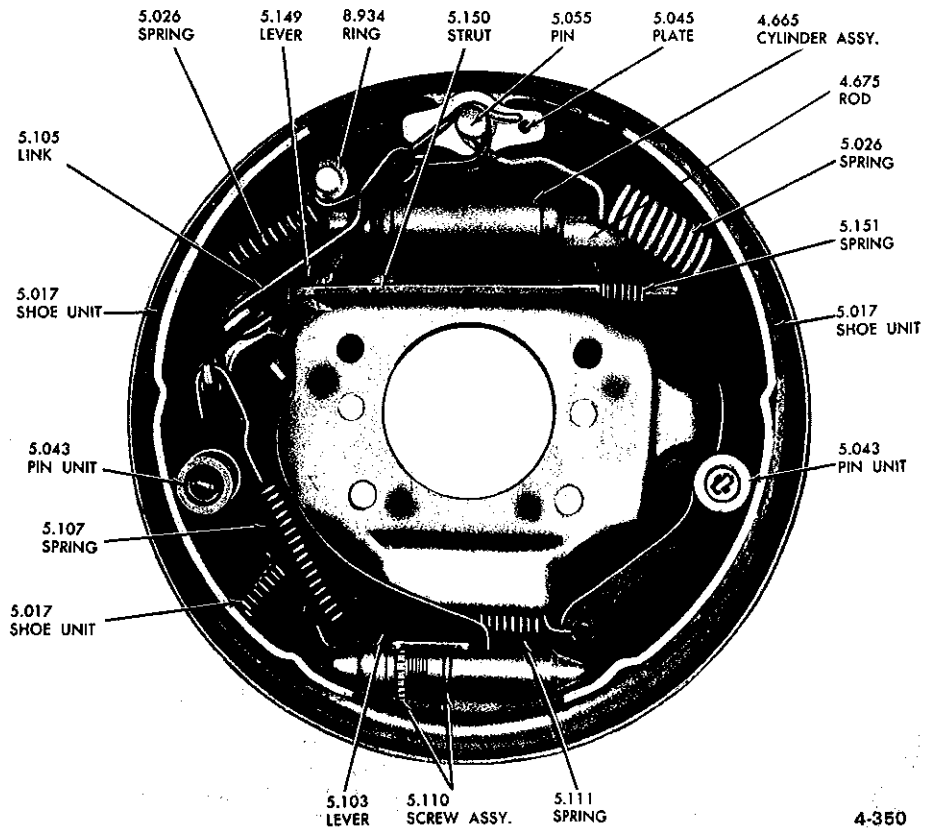
1953-62 BENDIX REAR BRAKE PARTS (DUO SERVO)



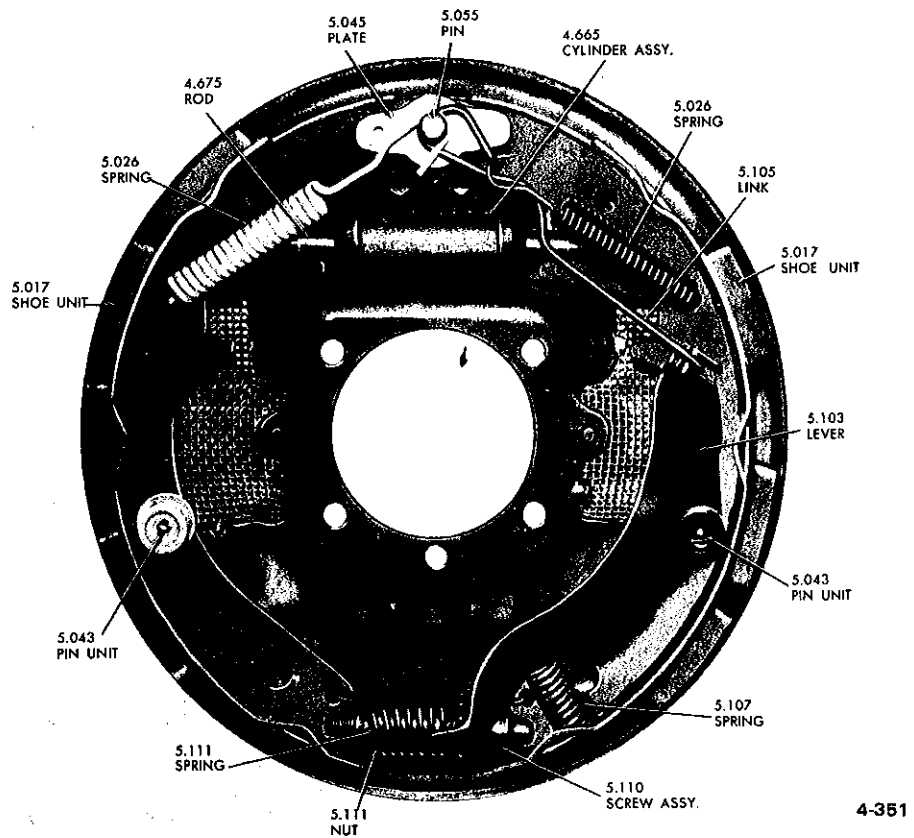
4-353

CALIPER ASSY.—EXPLODED

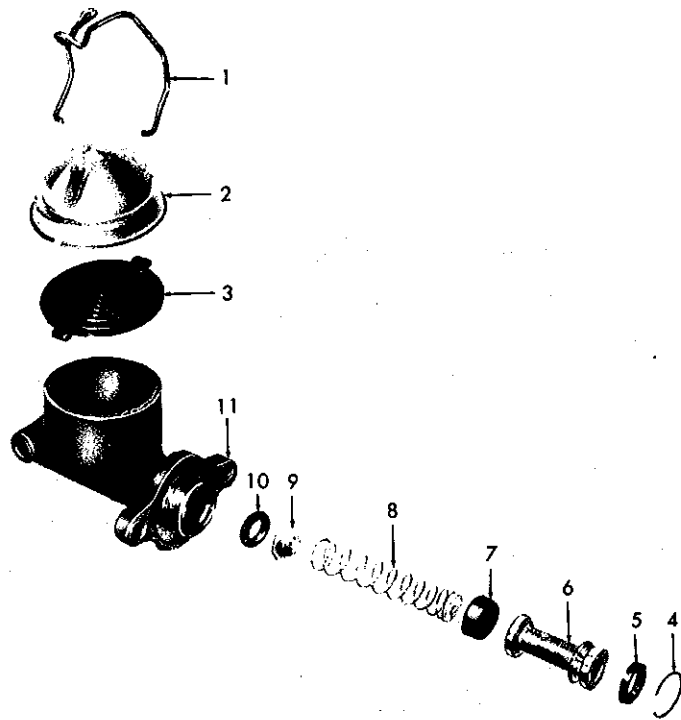
- | | |
|--|---|
| 1. 4.665 BOLT | 10. 4.668 PISTON ASSY. |
| 2. 4.666 VALVE—Bleeder | 11. 5.017 SHOE & FACING UNIT |
| 3. N.S.S. HOUSING—Inner Part of 4.665 Housing Assy. | 12. 5.017 SHOE & FACING UNIT |
| 4. 4.669 SPRING | 13. 4.666 "O" RING |
| 5. 4.667 SEAL | 14. N.S.S. HOUSING—Outer Part of 4.665 Housing Assy. |
| 6. N.S.S. PISTON—Part of 4.668 Piston Assy. | 15. 8.934 SPRING—Retainer |
| 7. 4.670 BOOT | 16. 5.041 PIN—Retainer |
| 8. 4.668 INSULATOR | |
| 9. N.S.S. SCREW (No. 8-32) Part of 4.668 Piston Assy. | |



1963-65 CORVETTE SELF ADJUSTING BRAKE



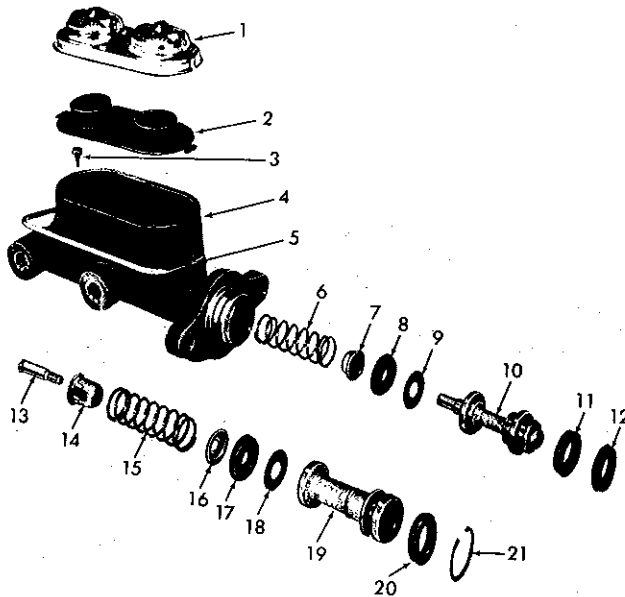
1963-65 CORVETTE HEAVY DUTY SELF-ADJUSTING BRAKE



4-324

1964-66 BRAKE MASTER CYLINDER (EXPLODED)

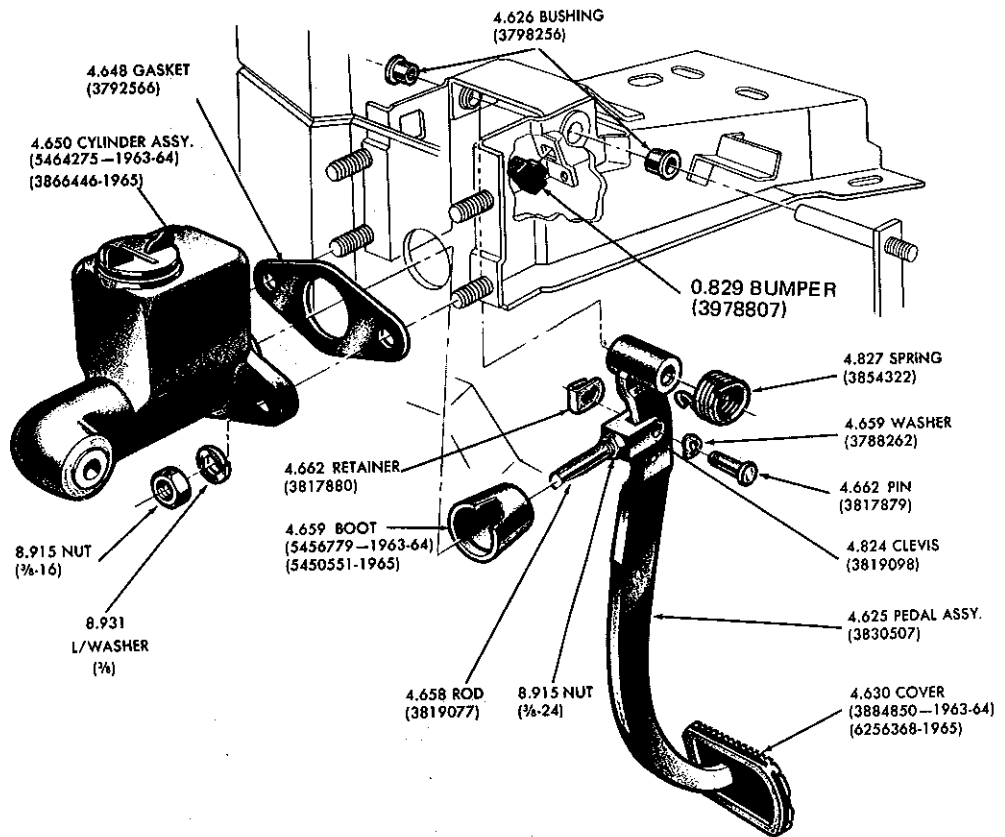
- | | |
|--|---|
| 1. 4.651 BAIL | 7. 4.654 CUP |
| 2. 4.651 COVER | 8. 4.655 SPRING ASSEMBLY |
| 3. 4.651 GASKET | 9. 4.657 VALVE ASSEMBLY |
| 4. N.S.S. RING, Part of 4.649 Repair Kit | 10. 4.657 WASHER |
| 5. 4.654 CUP | 11. N.S.S. BODY, Part of 4.650 Cylinder Assy. |
| 6. N.S.S. PISTON, Part of 4.649 Repair Kit | |



4-349A

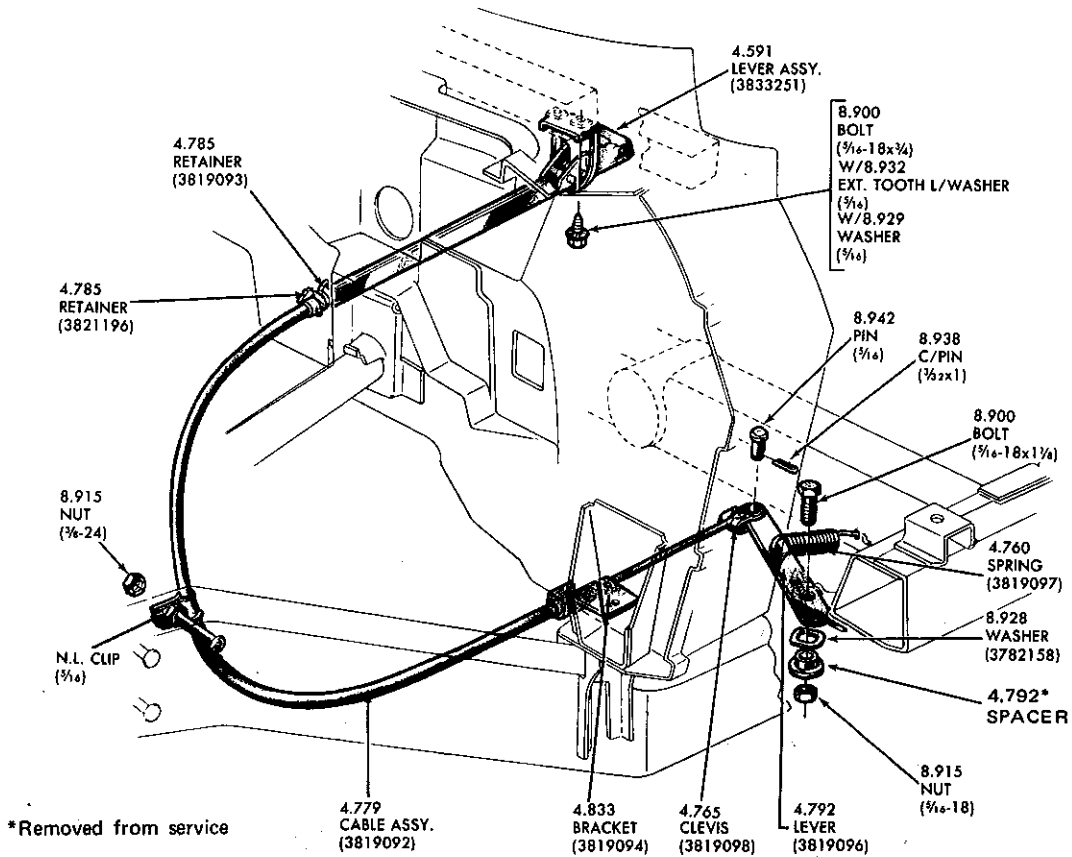
1967-74 BRAKE MASTER CYLINDER (EXPLODED)

- | | |
|--|--|
| 1. 4.651 COVER | 12. 4.910 CUP |
| 2. 4.651 GASKET | 13. 4.656 SCREW |
| 3. 4.656 SCREW | 14. 4.659 BOOT |
| 4. N.S.S. HOUSING—Part of 4.650 CYLINDER ASSY. | 15. 4.655 SPRING ASSY. |
| 5. 4.651 BAIL | 16. N.S.S. WASHER—Part of 4.655 SPRING ASSY. |
| 6. 4.655 SPRING ASSY. | 17. 4.654 CUP |
| 7. 4.657 VALVE ASSY. | 18. 4.659 WASHER |
| 8. 4.654 CUP | 19. N.S.S. PISTON—Part of 4.649 REPAIR KIT |
| 9. 4.659 WASHER | 20. 4.654 CUP |
| 10. 4.658 ROD | 21. 4.656 RING |
| 11. 4.910 CUP | |



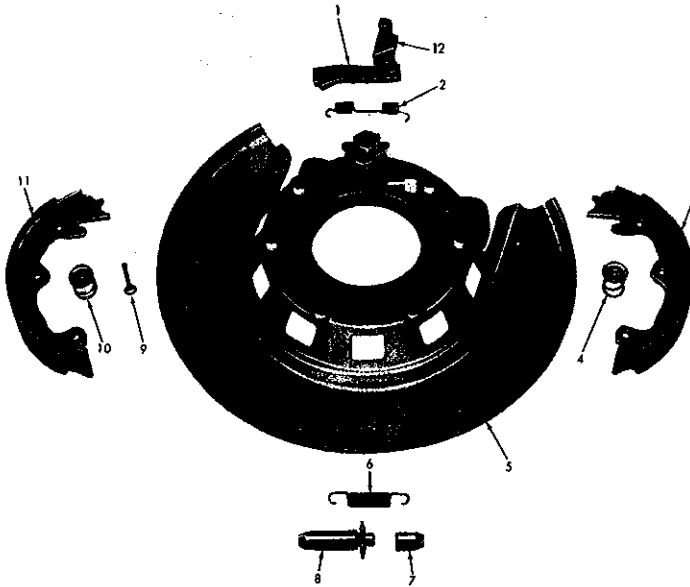
4-311

1963-65 CORVETTE BRAKE PEDAL LINKAGE



4-312

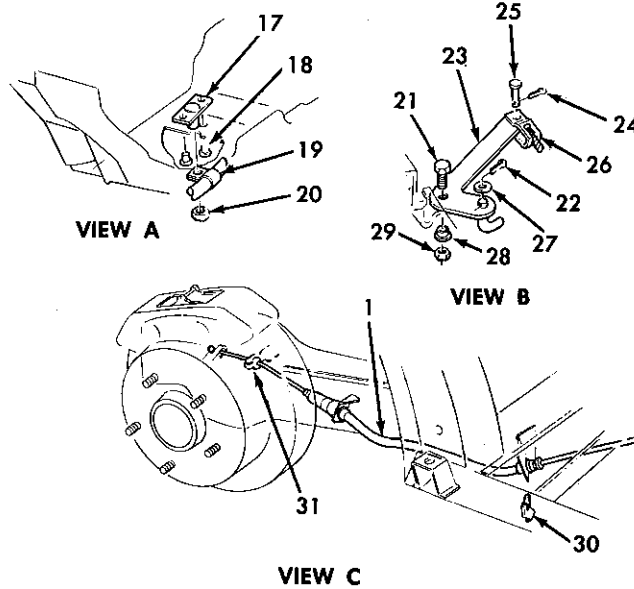
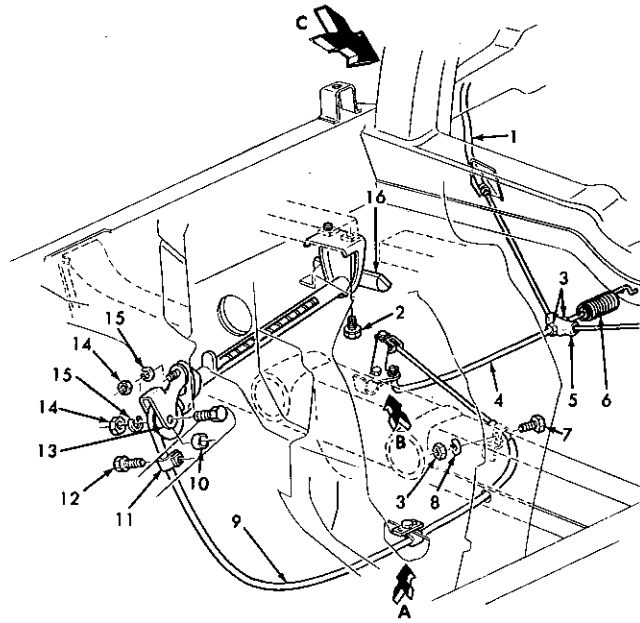
1963-64 CORVETTE PARKING BRAKE LINKAGE



4-313

1965-74 CORVETTE PARKING BRAKE—EXPLODED

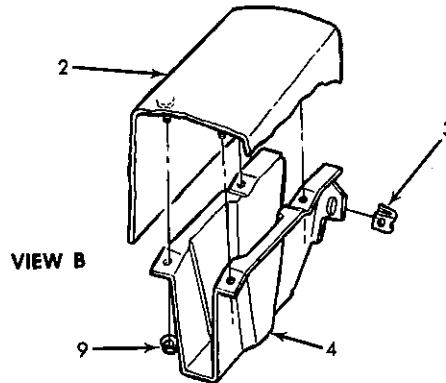
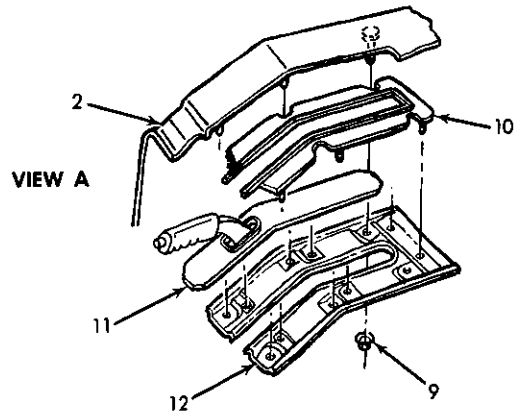
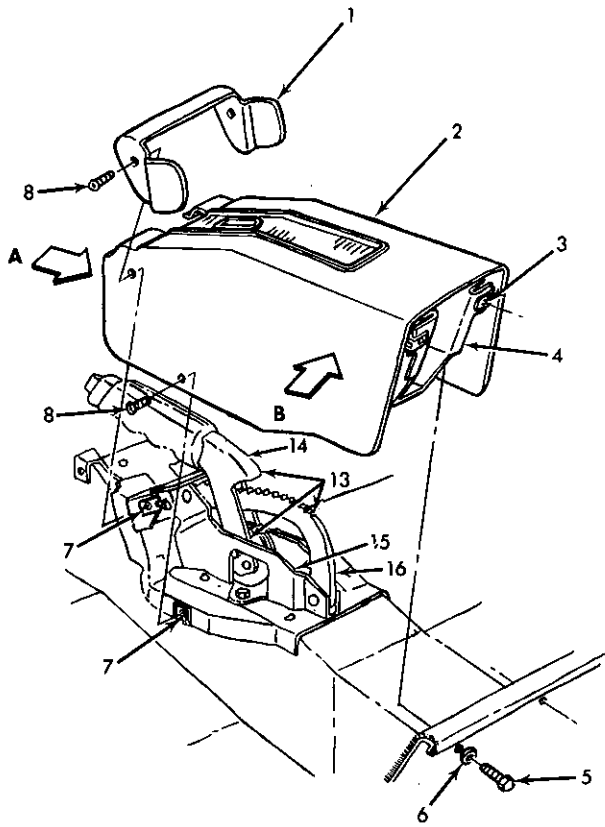
- | | |
|---|--|
| 1. 5.150 STRUT ASSY. | 7. 5.111 SOCKET—Adjusting |
| 2. 5.026 SPRING—Retractor | 8. 5.111 NUT—Adjusting |
| 3. 5.017 SHOE | 9. N.S.S. PIN—Part of 5.043 Pin Unit |
| 4. N.S.S. SPRING—Part of 5.043 Pin Unit | 10. N.S.S. SPRING—Part of 5.043 Pin Unit |
| 5. 5.001 FLANGE PLATE | 11. 5.017 SHOE |
| 6. 5.026 SPRING—Adjusting | 12. 5.149 LEVER ASSY. |



4-417

1965-66 CORVETTE PARKING BRAKE DETAILS

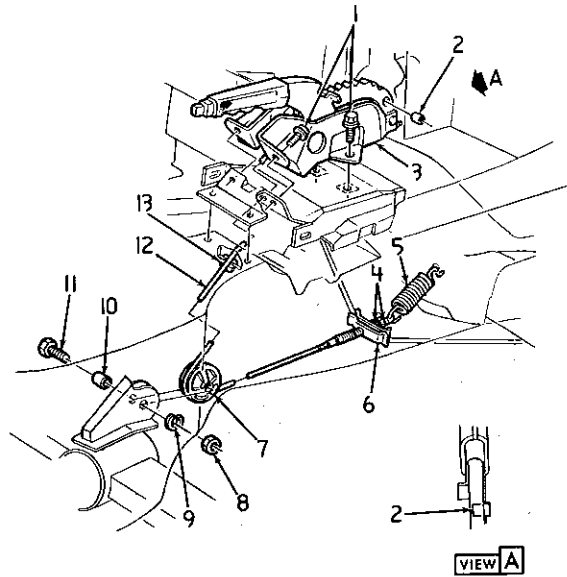
| | | | | | | | |
|-----|-------|-----------------------|---------|-----|-------|------------------------|---------|
| 1. | 4.779 | CABLE ASSEMBLY—REAR | 3866427 | 17. | 8.857 | BRACKET ASSEMBLY | 3840474 |
| 2. | 8.900 | SCREW (5/16—18 x 7/8) | | 18. | 8.967 | RIVET (3/16—5/8) | |
| 3. | 8.915 | NUT (5/16—18) | | 19. | 8.950 | CLIP (7/16) | |
| 4. | 4.765 | BOLT | 3842943 | 20. | 8.916 | NUT (1/4—20) | |
| 5. | 4.765 | EQUALIZER | 6256437 | 21. | 8.900 | BOLT (5/16—18 x 1-1/8) | |
| 6. | 4.760 | SPRING | 3849615 | 22. | 4.037 | CLIP | 3749084 |
| 7. | 8.900 | BOLT (5/16—18 x 1) | | 23. | 4.792 | LEVER | 3899399 |
| 8. | 8.931 | L/WASHER (5/16) | | 24. | 8.938 | C/PIN (3/32 x 1) | |
| 9. | 4.779 | CABLE ASSEMBLY—FRONT | 3842936 | 25. | 8.942 | PIN (5/16) | |
| 10. | 4.833 | SPACER | 3785008 | 26. | 4.765 | CLEVIS | 3819098 |
| 11. | N.L. | BRACKET ASSEMBLY | | 27. | 8.929 | WASHER (3/8 I.D.) | |
| 12. | 8.900 | BOLT (3/8—16 x 1) | | 28. | 4.801 | SPACER | 3842939 |
| 13. | 4.833 | PULLEY | 3780118 | 29. | 8.917 | NUT (5/16—18) | |
| 14. | 8.915 | NUT (5/16—18) | | 30. | 4.785 | RETAINER | 3875092 |
| 15. | 8.931 | L/WASHER (5/16) | | 31. | 4.785 | GUIDE | 3864278 |
| 16. | 4.591 | LEVER ASSEMBLY | 3897398 | | | | |



4-418

1967 CORVETTE PARKING BRAKE DETAILS

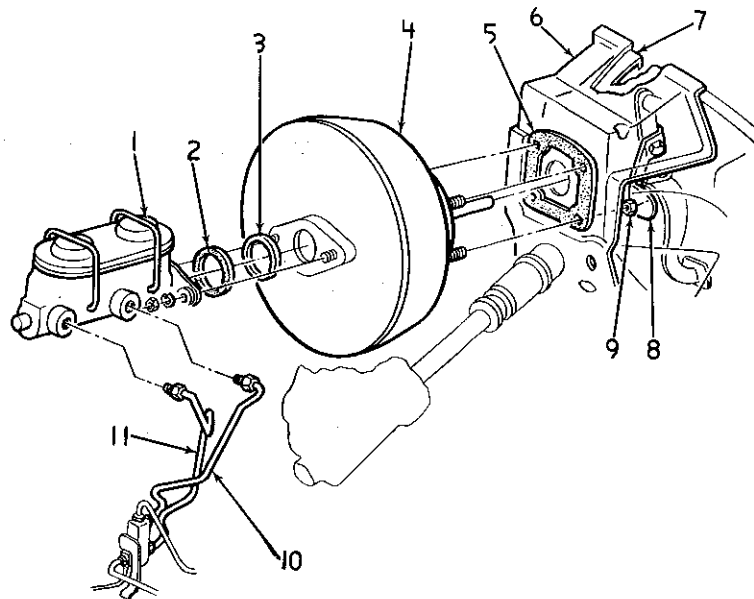
| | | | |
|-------------------------------|---------|--|---------|
| 1. 14.875 RETAINER | 3897381 | 10. 12.981 RING | 3897369 |
| 2. 12.981 COVER ASSY. | | 11. 4.612 SEAL | 3901995 |
| 3. 8.921 "J" NUT (1/4-20) | | 12. 5.158 RETAINER | 3897383 |
| 4. 12.981 REINFORCEMENT | 3914539 | 13. 4.591 LEVER ASSY | 3897428 |
| 5. 8.900 BOLT (1/4-20 x 7/8) | | 14. N.S.S. LEVER and HANDLE ASSY.—Part of | |
| 6. 8.929 WASHER (17/64) | | 4.591 Lever Assy. | |
| 7. 8.921 "J" NUT (#10-16) | | 15. N.S.S. BRACKET—Part of 4.591 Lever Assy. | |
| 8. 8.977 SCREW (#10-16 x 3/4) | | 16. N.S.S. SECTOR—Part of 4.591 Lever Assy. | |
| 9. 8.921 NUT (#10-24) | | | |



4-283

1971-75 CORVETTE PARKING BRAKE

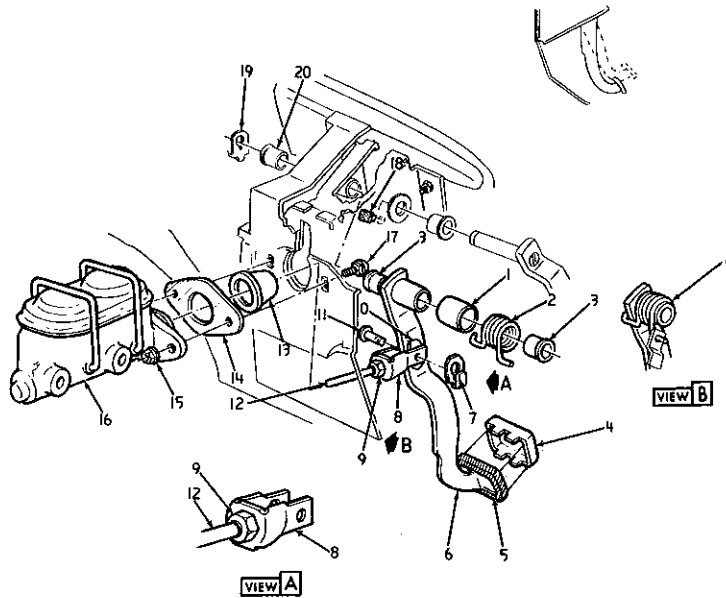
| | | | | | |
|----|----------------------------|---------|-----|---------------------------|---------|
| 1. | 8.900 BOLT (5/16-18 x 5/8) | | 8. | 8.915 NUT (1/2-13) | |
| 2. | 8.939 PIN-SPRING | | 9. | 8.931 WASHER | |
| 3. | 4.591 LEVER ASSY. | 3897428 | 10. | 4.790 SPACER | 3899215 |
| 4. | 8.917 NUT (5/16-24) | | 11. | 8.900 BOLT (1/2-13 x 3/4) | |
| 5. | 4.760 SPRING | 3849615 | 12. | 4.779 CABLE ASSY. | 3897441 |
| 6. | 4.765 EQUALIZER | 6256437 | 13. | 9.775 GROMMET | 3918672 |
| 7. | 4.790 PULLEY | 3897443 | | | |



4-281

1971-75 CORVETTE VACUUM POWER BRAKE CYLINDER AND PIPES

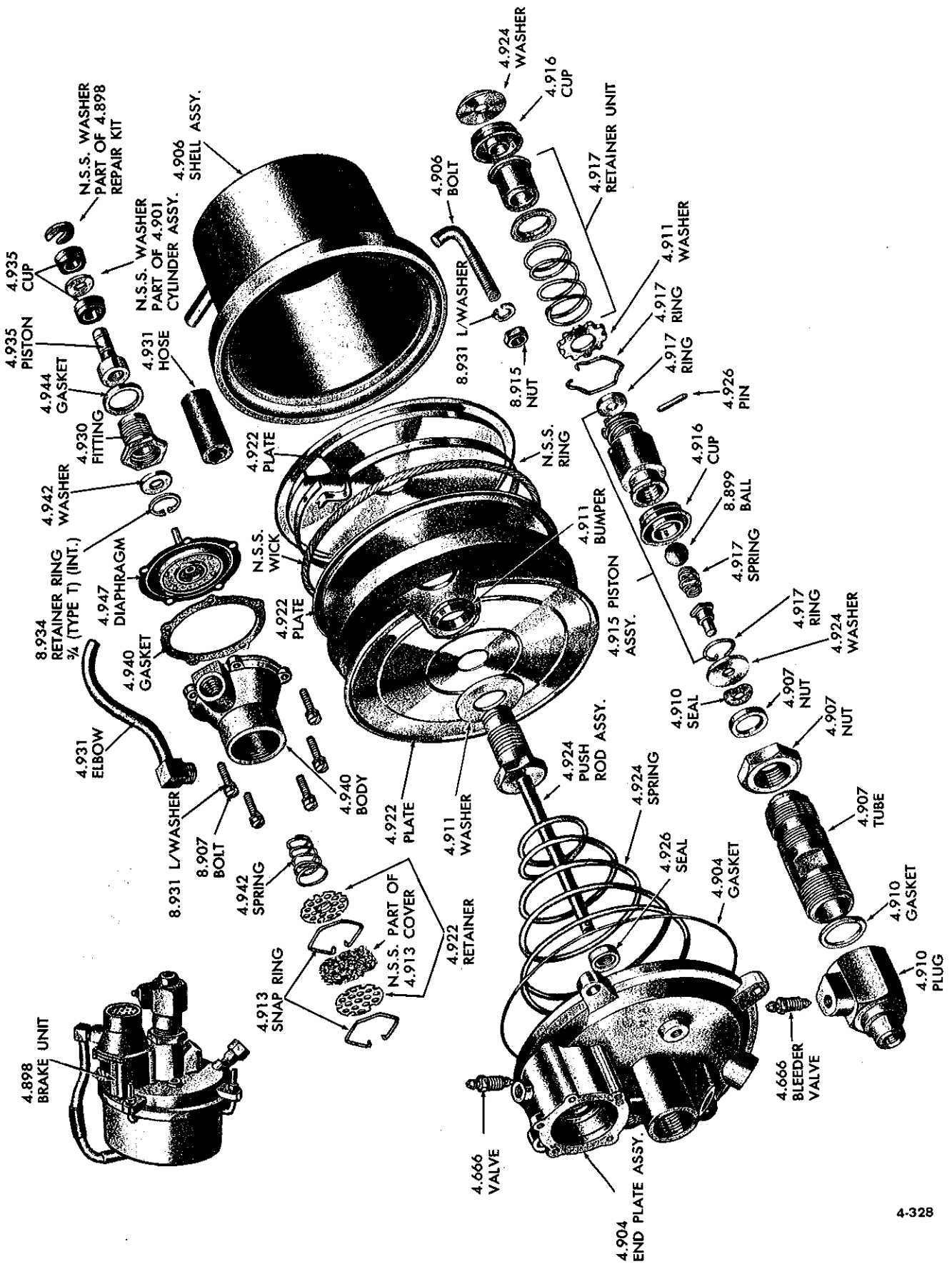
| | | | | | |
|----|---------------------------|---------|-----|---|---------|
| 1. | 4.650 CYLINDER | 5461184 | 7. | 4.648 HOUSING ASSY. | 3981601 |
| 2. | 4.652 GASKET | 730392 | 8. | 2.447 STRIKER | 3974795 |
| 3. | 4.911 RETAINER-SEAL | 9787620 | 9. | 8.917 NUT (3/8-16) | |
| 4. | 4.901 CYLINDER ASSY. | 3956739 | 10. | 8.964 PIPE ASSY. (1/4") (Cut as required) | |
| 5. | 4.931 GASKET | 3921676 | 11. | 8.964 PIPE ASSY. (1/4") (Cut as required) | |
| 6. | 4.648 COVER | 3945369 | | | |



4-282

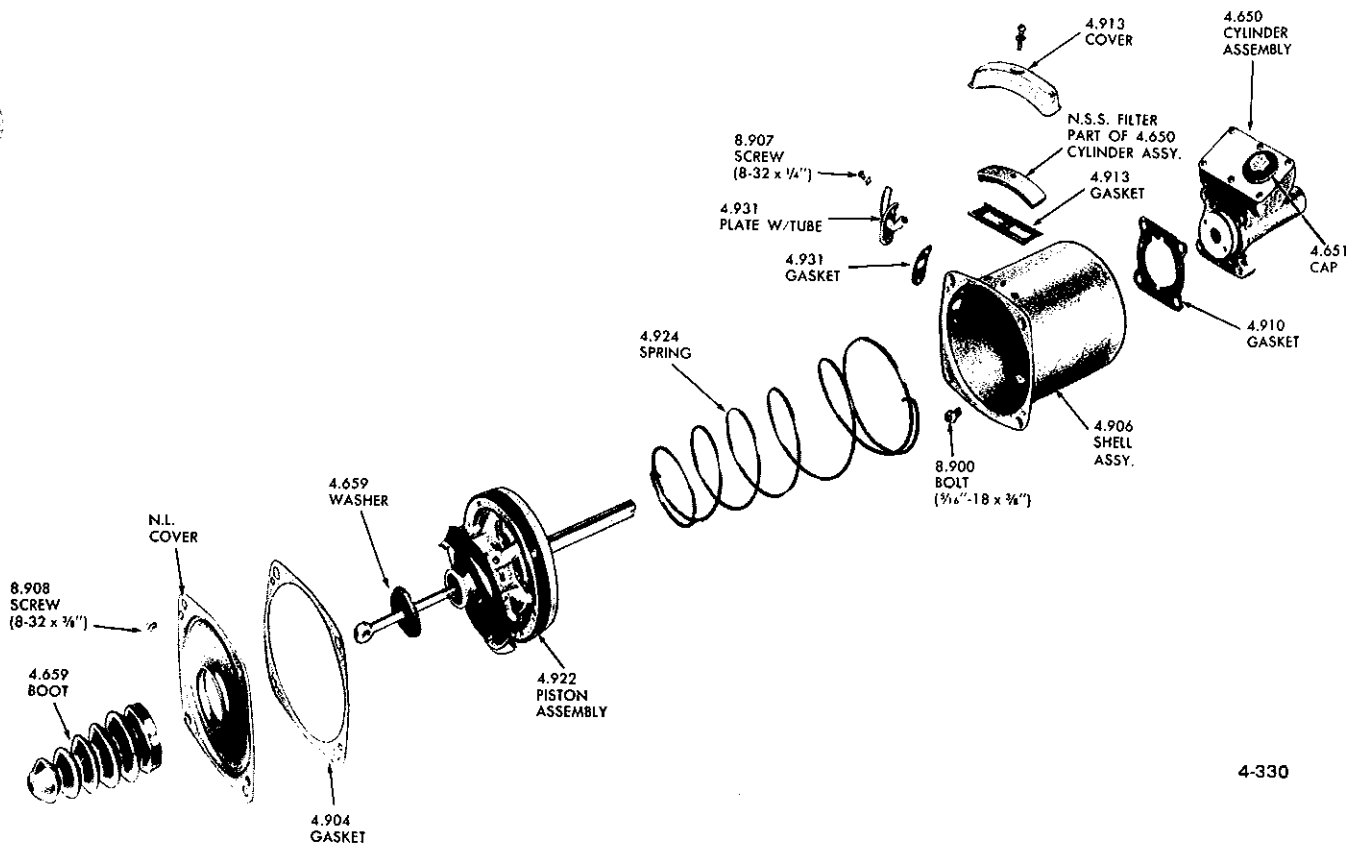
1971-75 CORVETTE BRAKE PEDAL AND MAIN CYLINDER ASSY.

| | | | | | | | |
|-----|-------|----------------------|---------|-----|-------|----------------|---------|
| 1. | 4.626 | BUSHING | 3908768 | 11. | 4.662 | PIN | 3909668 |
| 2. | 4.760 | SPRING | 3921686 | 12. | 4.658 | ROD | 3921655 |
| 3. | 4.626 | BUSHING | 3798256 | 13. | 4.659 | BOOT | 5456779 |
| 4. | 4.630 | TRIM PLATE (1968-71) | 3923615 | 14. | 4.648 | GASKET | 3792566 |
| 5. | 4.630 | COVER | 3921648 | 15. | 8.915 | NUT (3/8-16) | |
| 6. | 4.625 | PEDAL ASSY. | 3921649 | 16. | 4.650 | CYLINDER ASSY. | 5458833 |
| 7. | 4.662 | RETAINER | 3817880 | 17. | 4.648 | BOLT | 3923616 |
| 8. | 8.946 | CLEVIS (3/8) | | 18. | 0.829 | BUMPER | 3978807 |
| 9. | 8.916 | NUT (3/8-24) | | 19. | 4.634 | RETAINER | 3828428 |
| 10. | 4.659 | WASHER (25/64) | 3953987 | 20. | 4.626 | BUSHING | 3798256 |



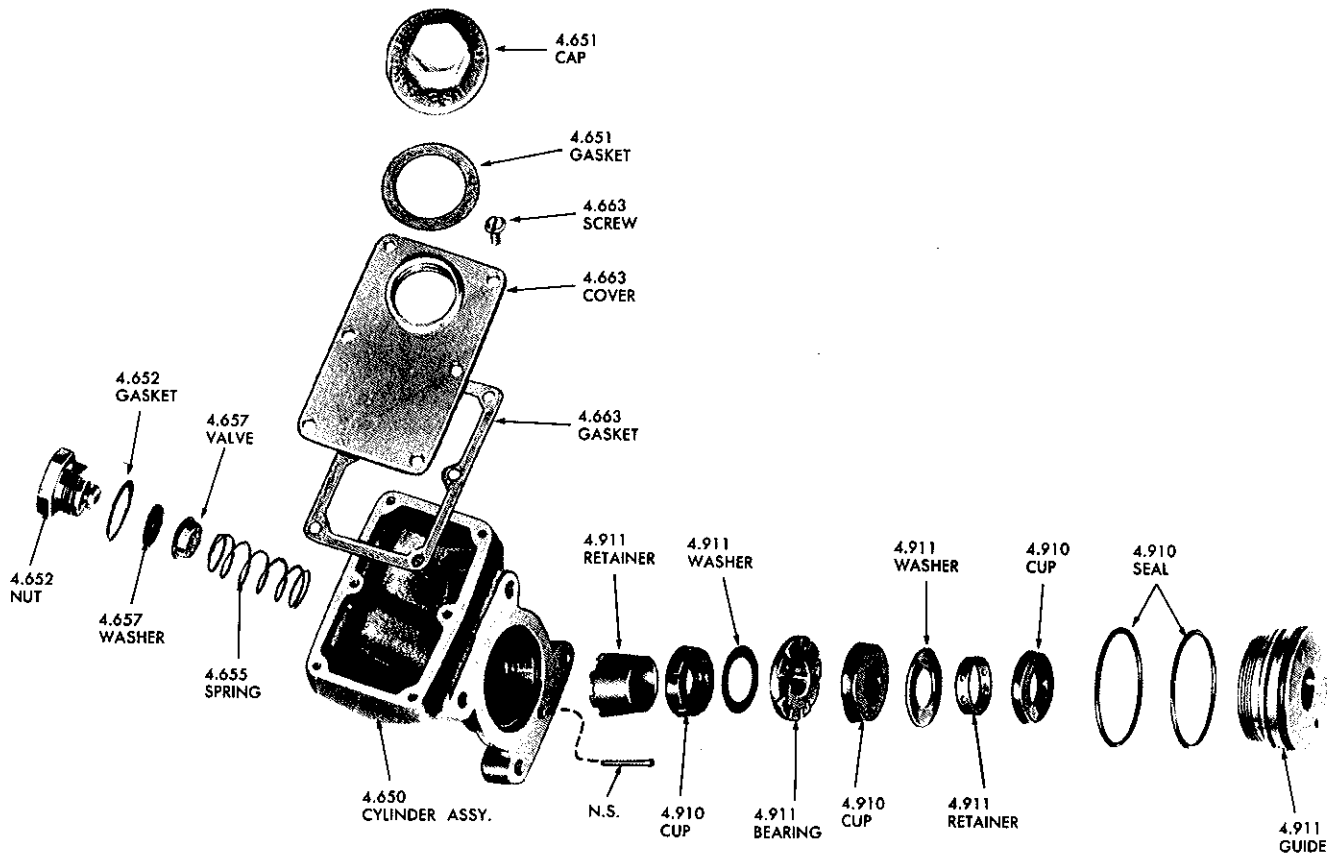
4-328

1957-58 HYDRO VAC POWER BRAKE—EXPLODED



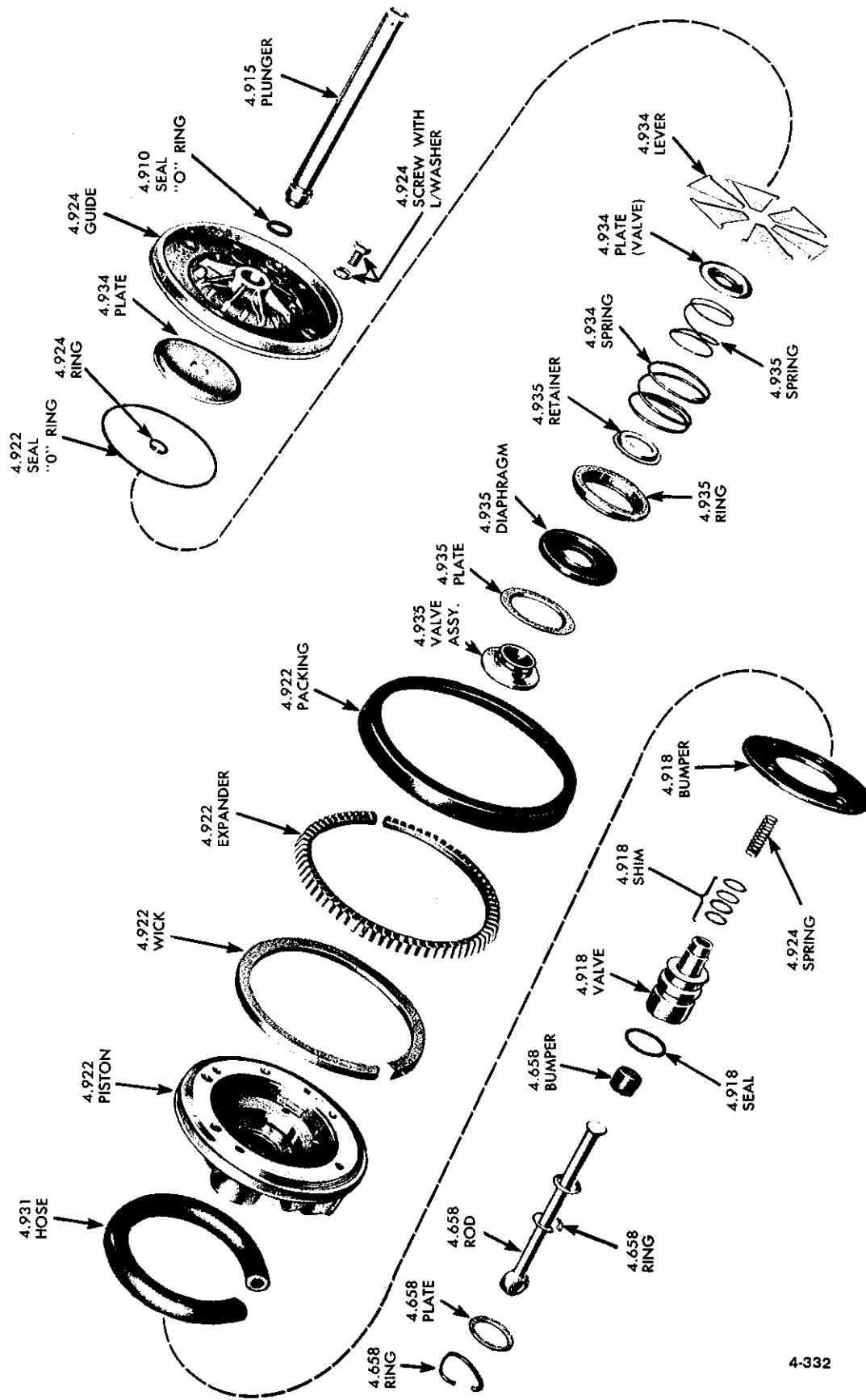
4-330

1958 MORAINÉ POWER BRAKE—EXPLODED



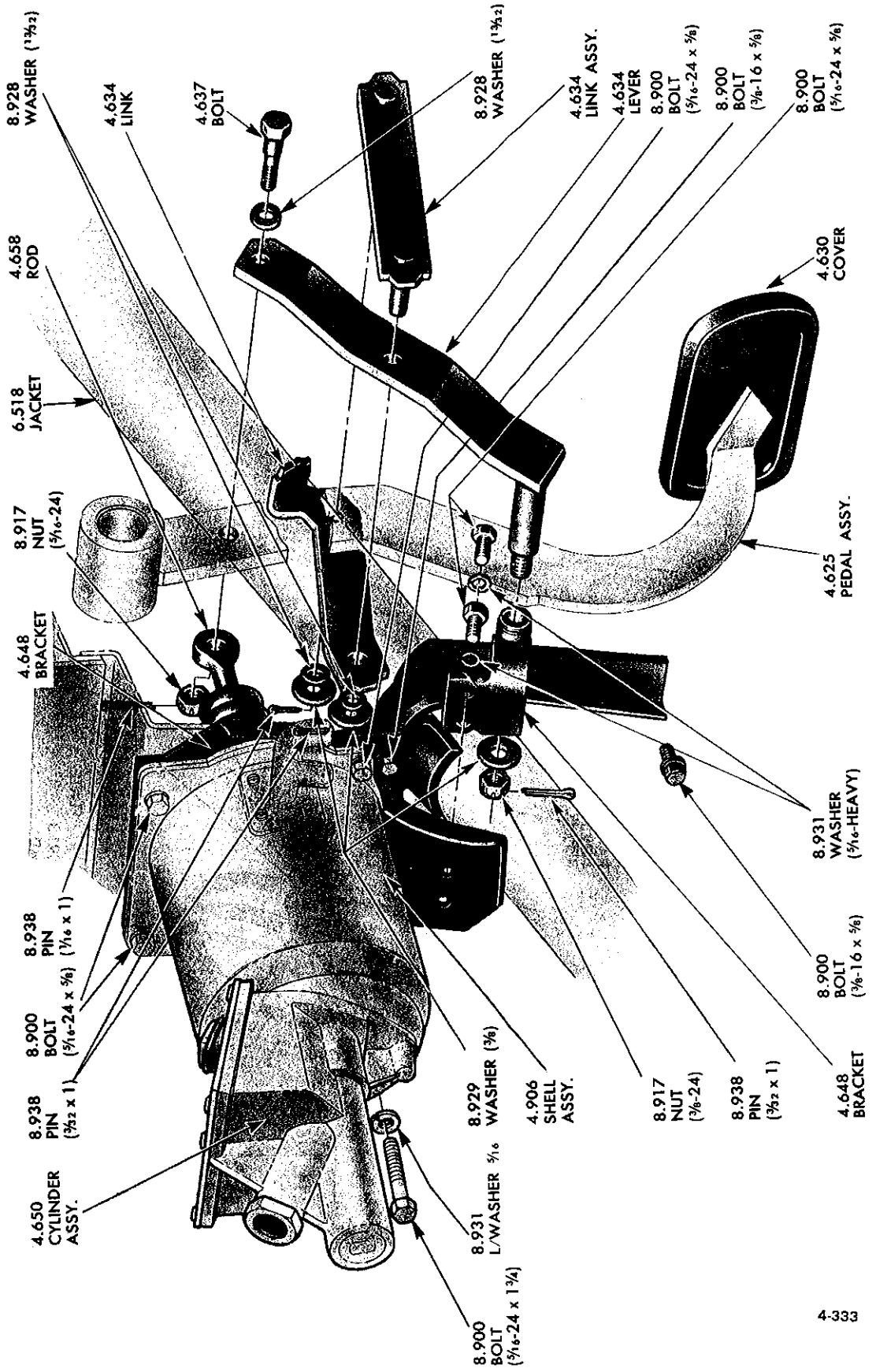
1958 MORAINÉ POWER BRAKE MASTER CYLINDER—EXPLODED

4-331



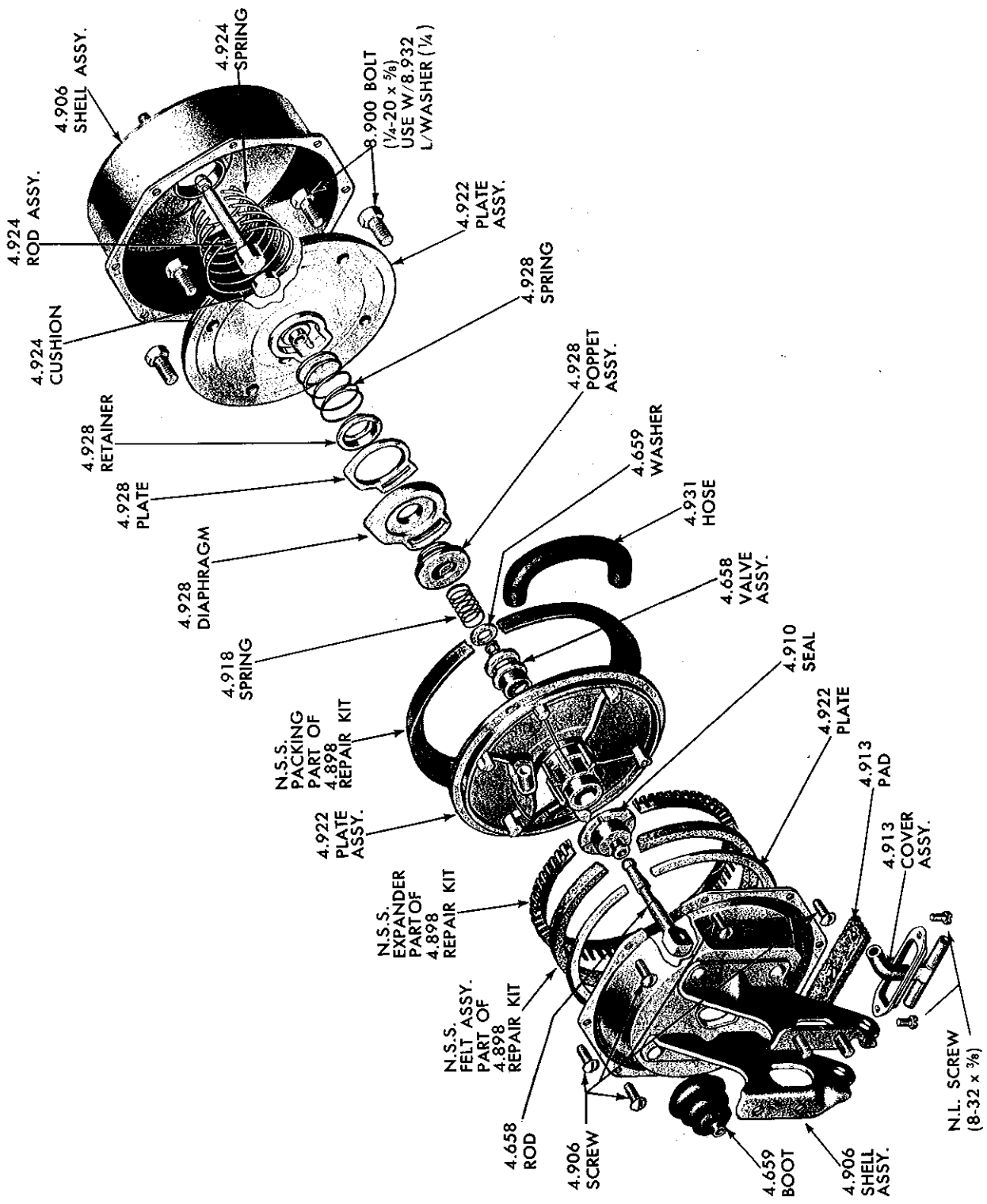
4-332

1958 MORAINÉ POWER BRAKE PISTON—EXPLODED



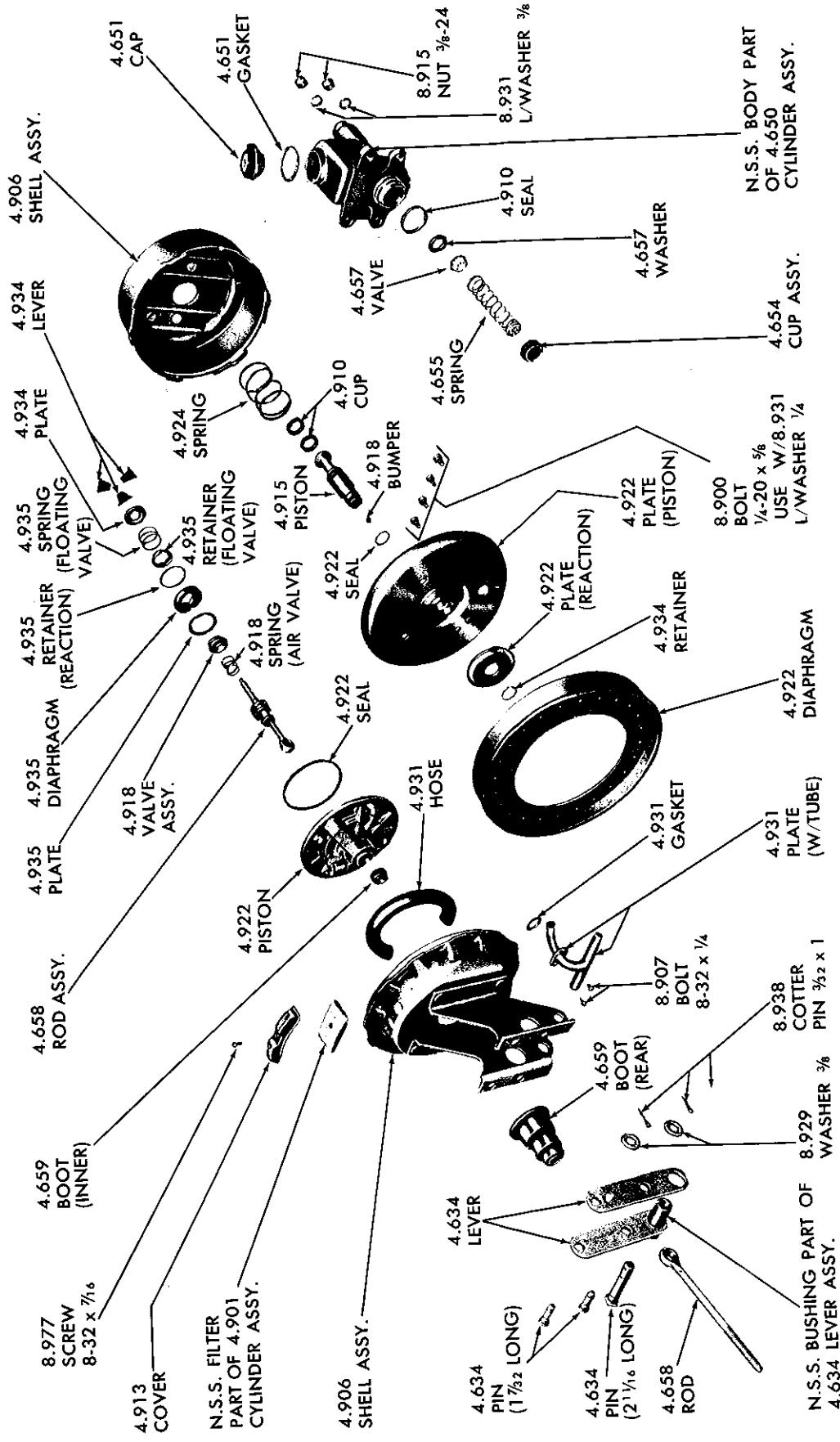
4-333

1958 TREADLE-VAC POWER BRAKE PEDAL AND LINKAGE

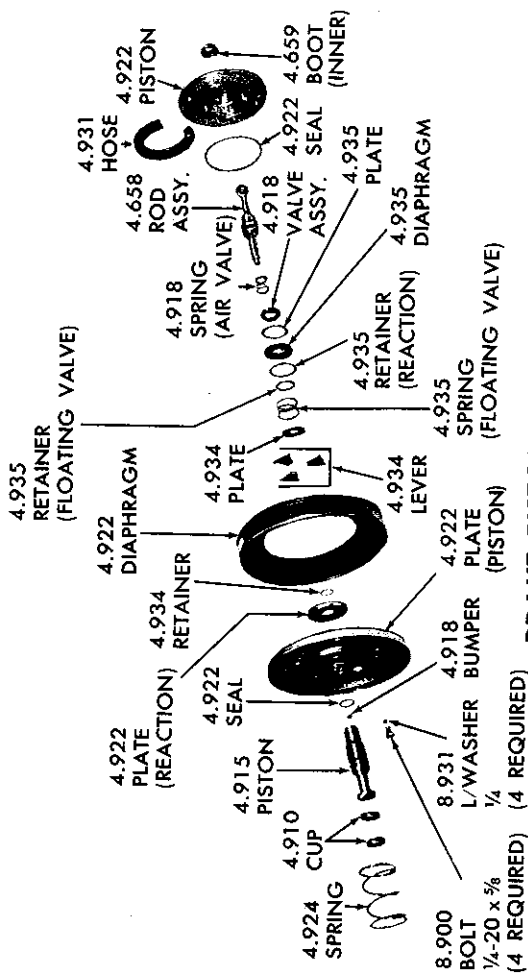


4-334

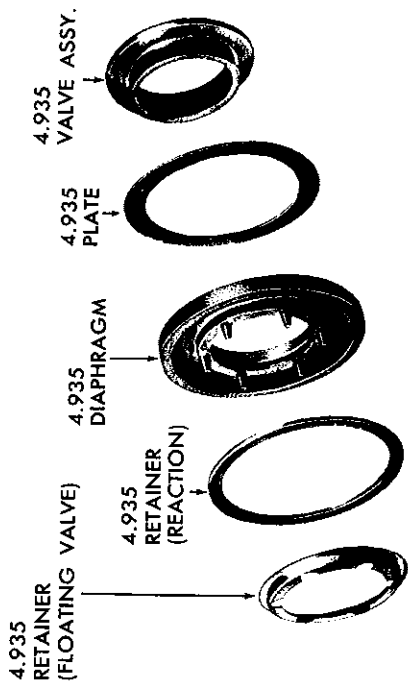
1959-61 BENDIX POWER BRAKE—EXPLODED



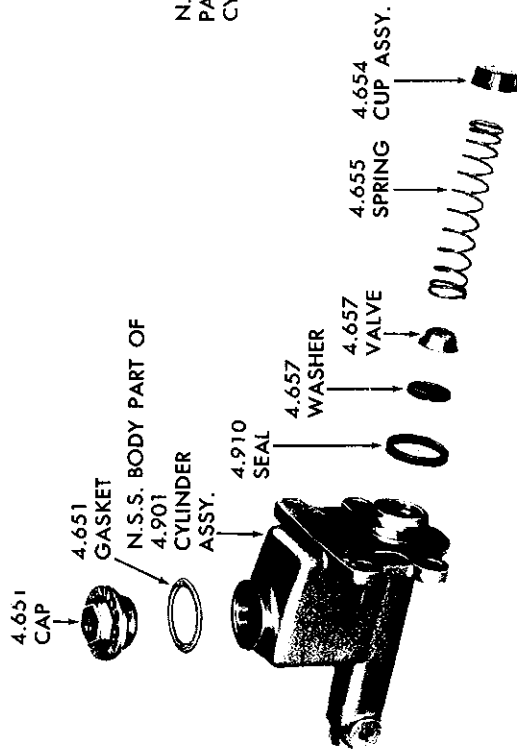
1959-61 MORAINÉ POWER BRAKE—EXPLODED



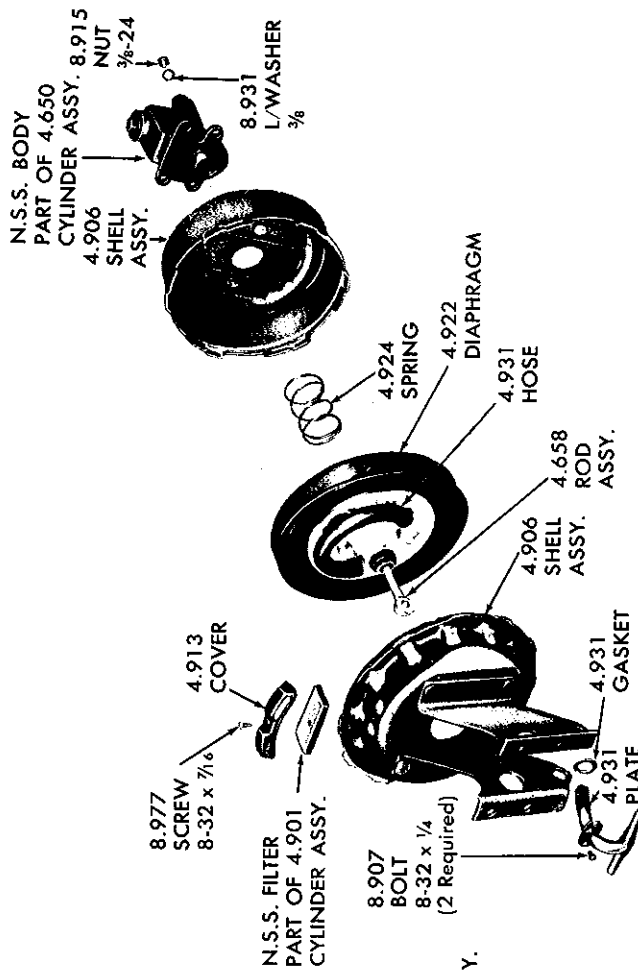
BRAKE PISTON



FLOATING CONTROL VALVE

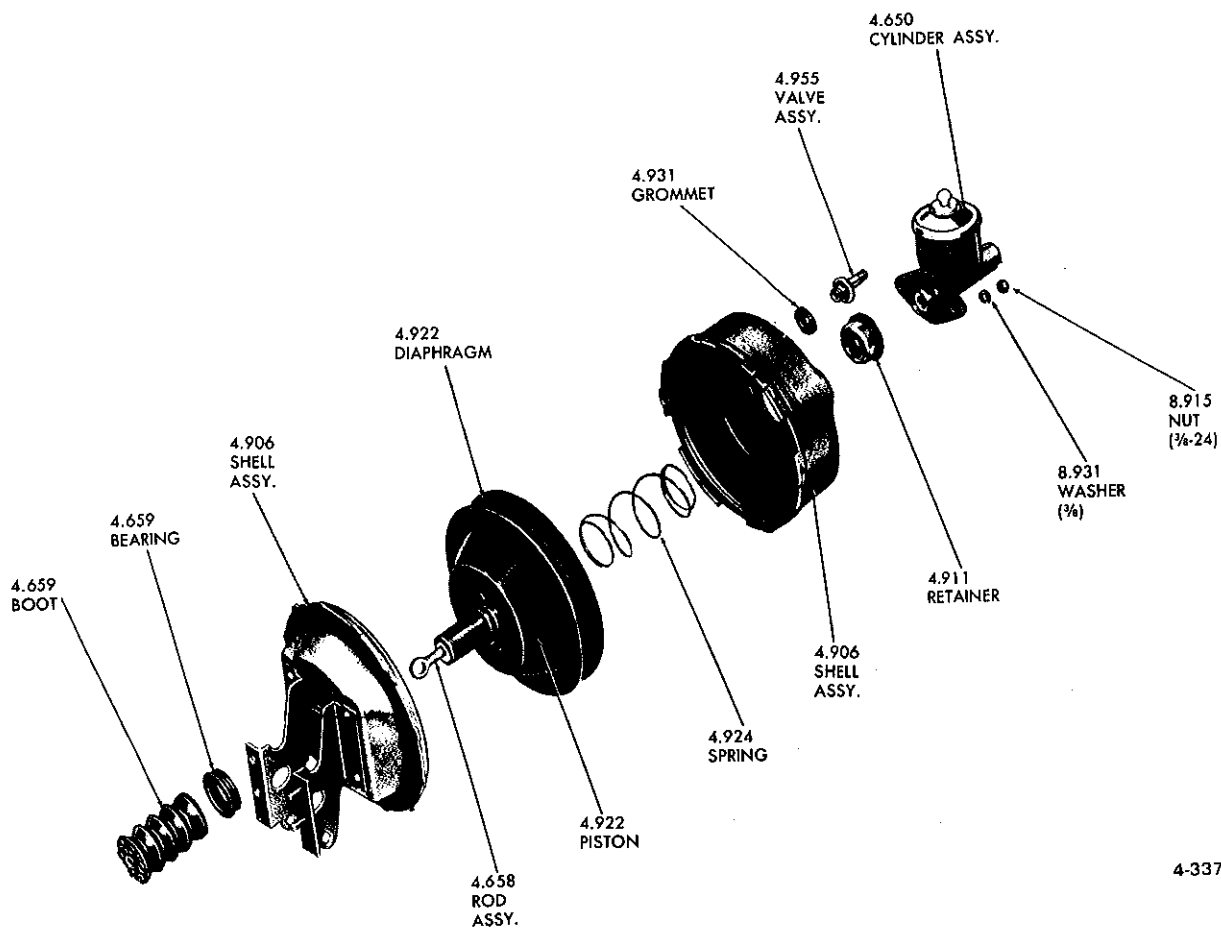


MASTER CYLINDER



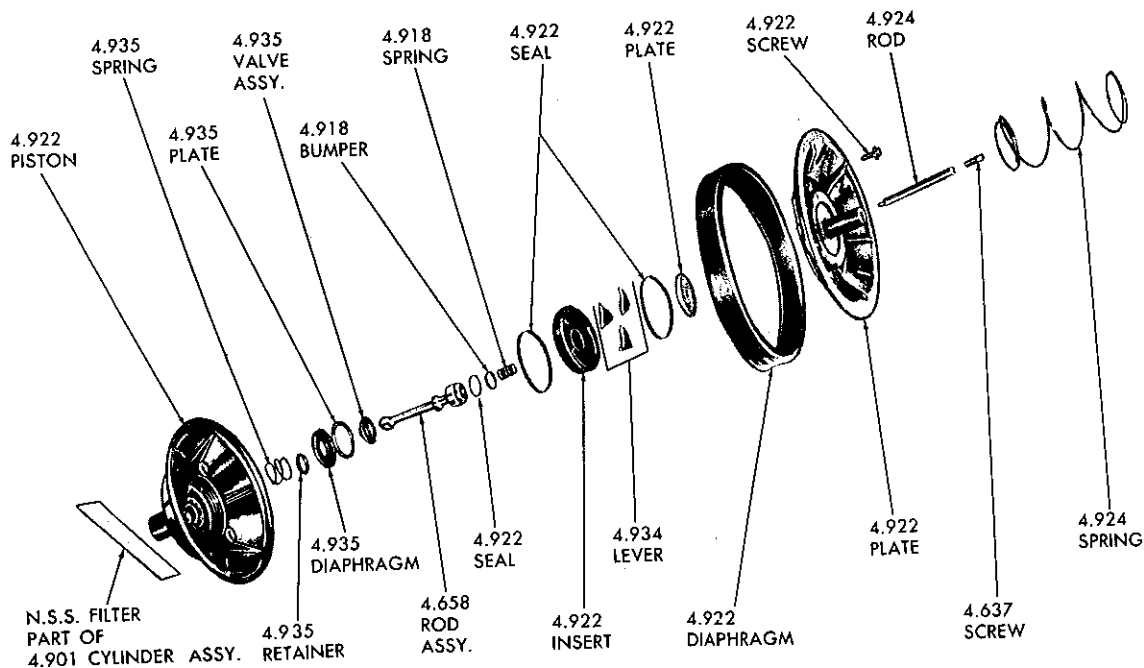
COMPRESSOR & REAR HOUSING ASSY.

1959-61 MORaine POWER BRAKE-EXPLODED



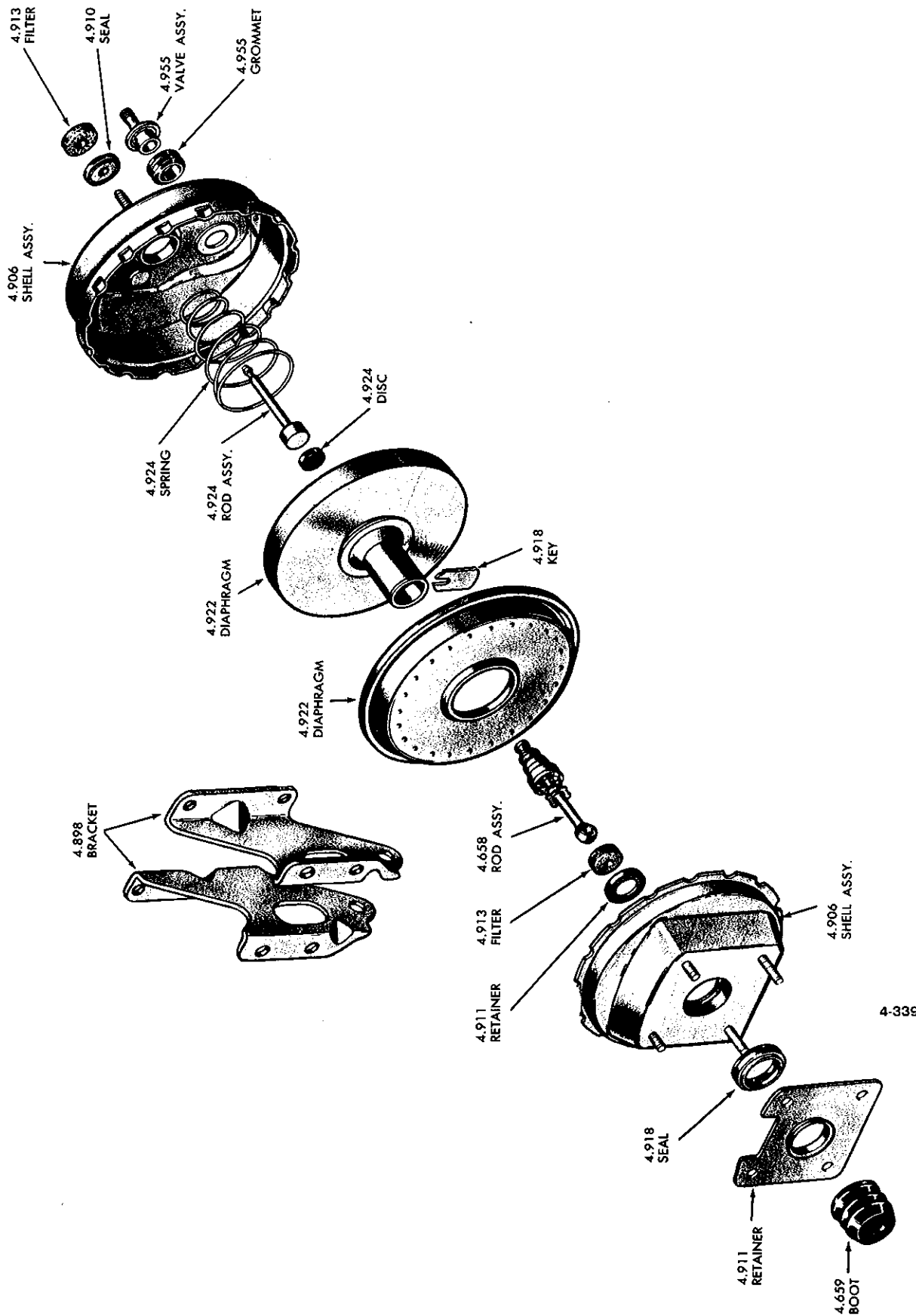
1962-63 MORAINÉ POWER BRAKE HOUSING—EXPLODED

4-337

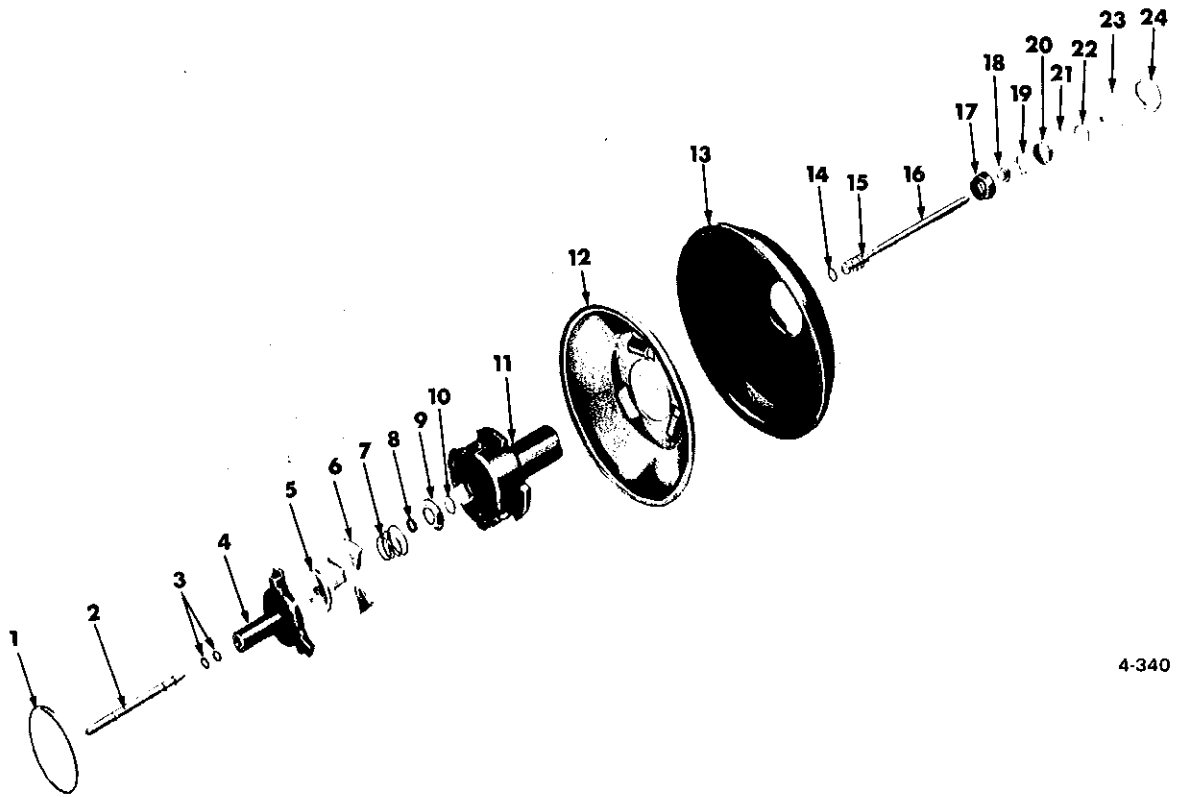


4-338

1962-63 MORAINÉ POWER BRAKE PISTON—EXPLODED



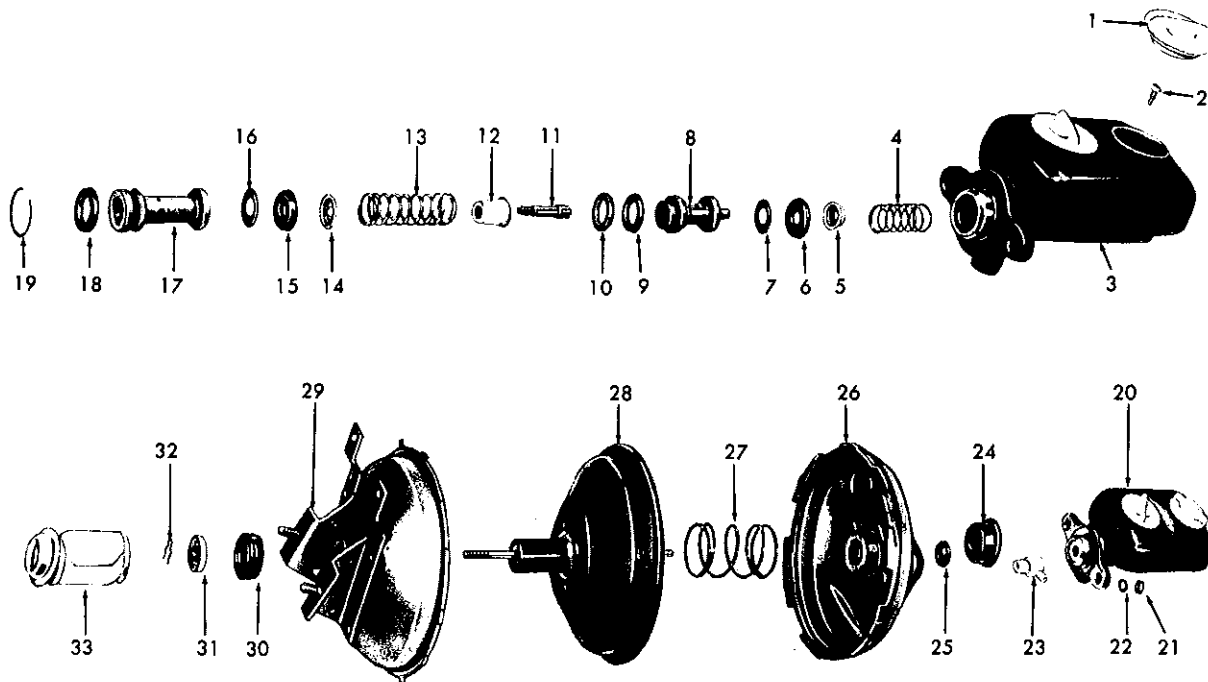
1962-74 BENDIX POWER BRAKE CYLINDER—EXPLODED



4-340

1964-69 MORAINÉ POWER BRAKE PISTON—EXPLODED

- | | |
|---------------------|---|
| 1. 4.935 RING | 15. N.S.S. VALVE, Part of 4.658 Valve Assy. |
| 2. 4.924 ROD | 16. N.S.S. ROD, Part of 4.658 Valve Assy. |
| 3. 4.922 RING | 17. N.S.S. VALVE ASSY., Part of 4.658 Valve Assy. |
| 4. 4.934 RETAINER | 18. N.S.S. SEAT, Part of 4.658 Valve Assy. |
| 5. 4.934 PLATE | 19. 4.955 SPRING |
| 6. 4.934 LEVER | 20. 4.935 RETAINER |
| 7. 4.918 SPRING | 21. 4.935 SPRING |
| 8. 4.918 BUMPER | 22. 8.934 SPRING |
| 9. 4.918 RETAINER | 23. 4.913 FILTER |
| 10. 4.918 RING | 24. 4.913 SILENCER |
| 11. 4.922 PISTON | |
| 12. 4.922 SUPPORT | |
| 13. 4.922 DIAPHRAGM | |
| 14. 4.918 RING | |



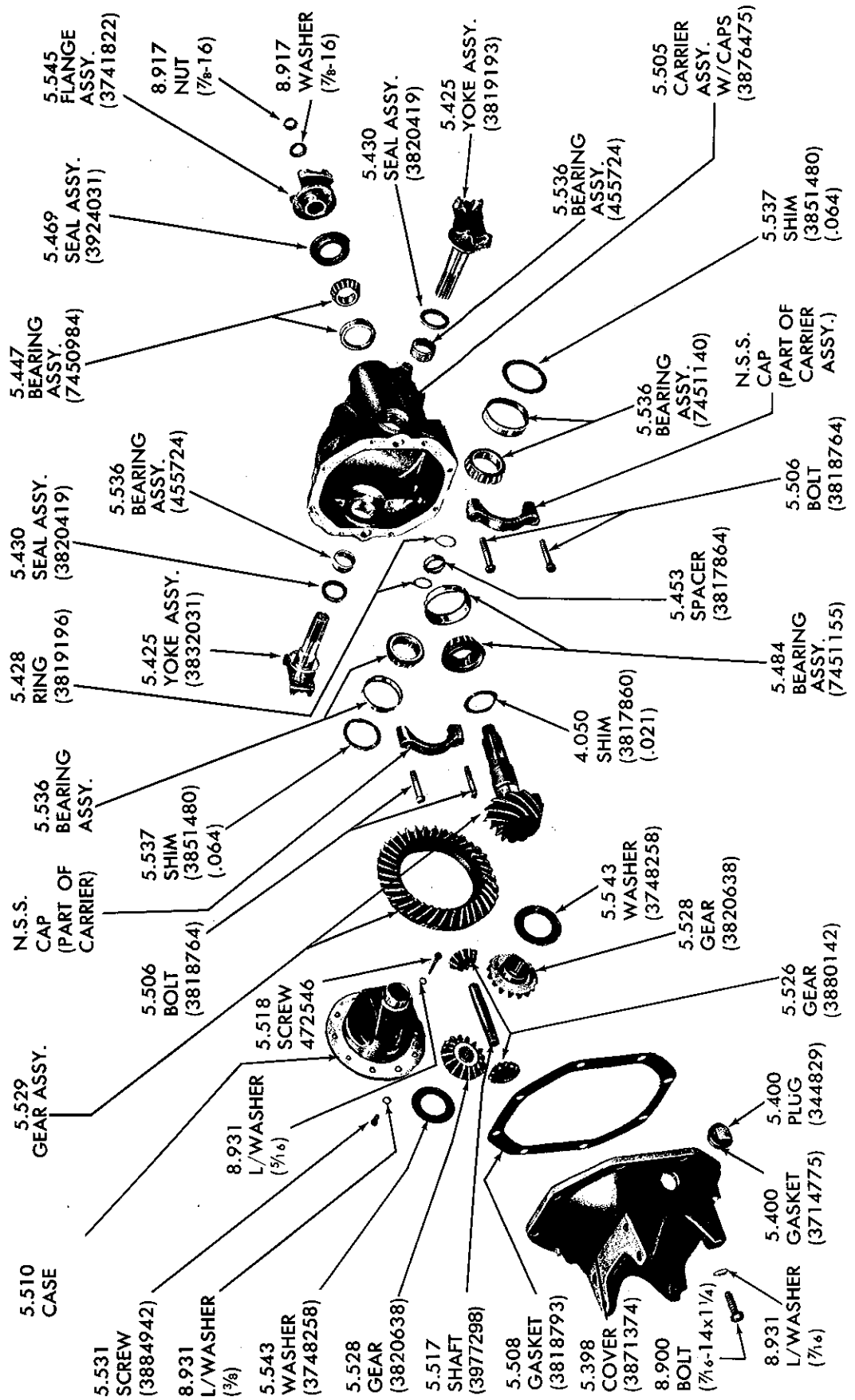
4-341

1965-75 CORVETTE P.B. MASTER CYLINDER—EXPLODED

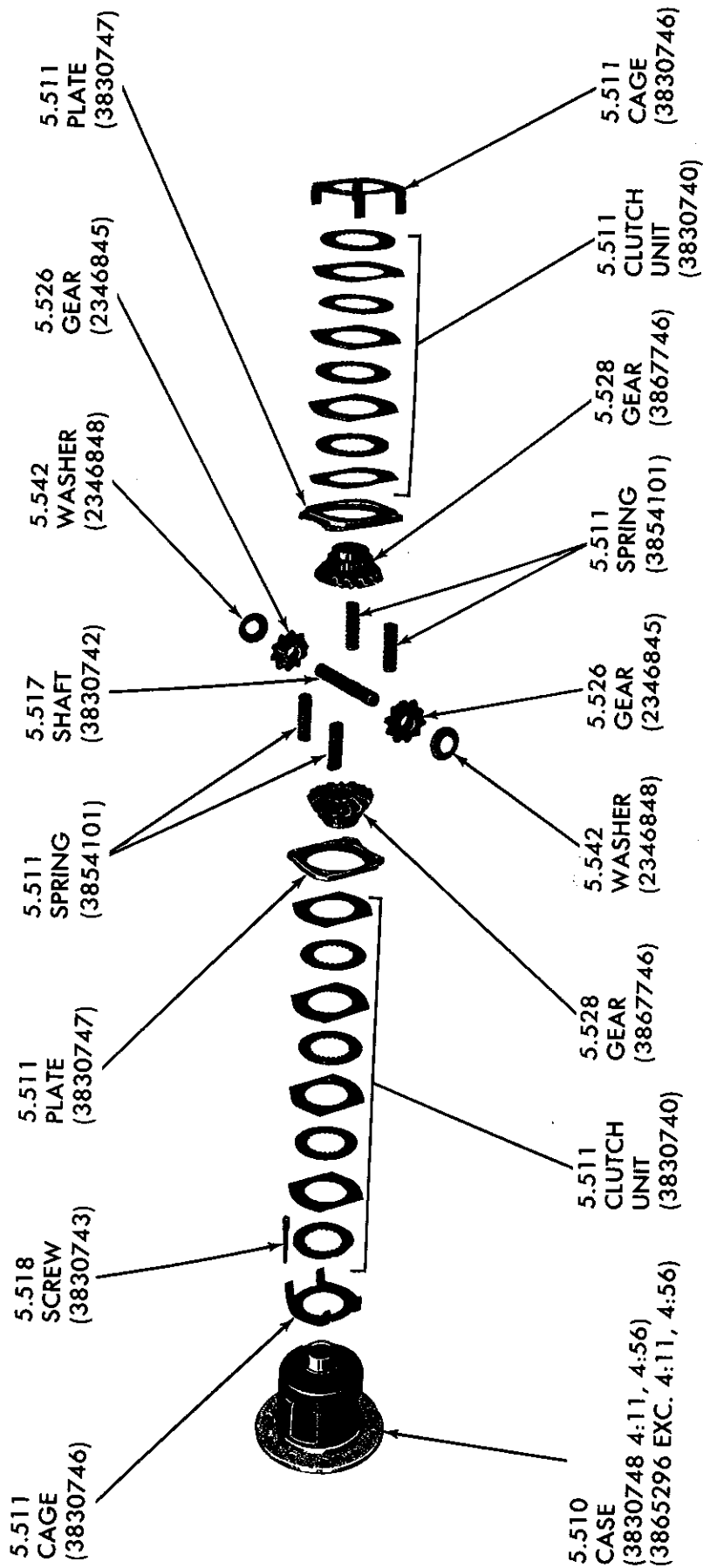
- | | |
|--|---------------------------|
| 1. 4.651 CAP | 17. 4.656 PISTON—PRIMARY |
| 2. 4.656 SCREW | 18. 4.654 CUP |
| 3. 4.650 CYLINDER ASSY. | 19. 4.656 RING |
| 4. 4.665 SPRING—Secondary | 20. 4.650 CYLINDER ASSY. |
| 5. 4.657 VALVE ASSY. | 21. 8.915 NUT |
| 6. 4.652 SEAL | 22. 8.931 WASHER |
| 7. 4.659 WASHER | 23. 4.955 VALVE ASSY. |
| 8. 4.656 PISTON—SECONDARY—KIT | 24. 4.911 RETAINER |
| 9. 4.910 CUP | 25. 4.931 GROMMET |
| 10. 4.910 CUP | 26. 4.906 SHELL ASSY. |
| 11. 4.656 SCREW—Piston Extension | 27. 4.924 SPRING |
| 12. 4.657 VALVE | 28. 4.922 DIAPHRAGM |
| 13. 4.655 SPRING—Primary | 29. 4.906 SHELL ASSY. |
| 14. N.S.S. WASHER—Part of 4.655 Spring | 30. 4.913 FILTER |
| 15. 4.654 CUP | 31. 4.913 SILENCER |
| 16. 4.659 WASHER | 32. 8.934 RETAINER (5/16) |
| | 33. 4.659 BOOT |

GROUP 5.000
REAR AXLE AND
PROP SHAFT



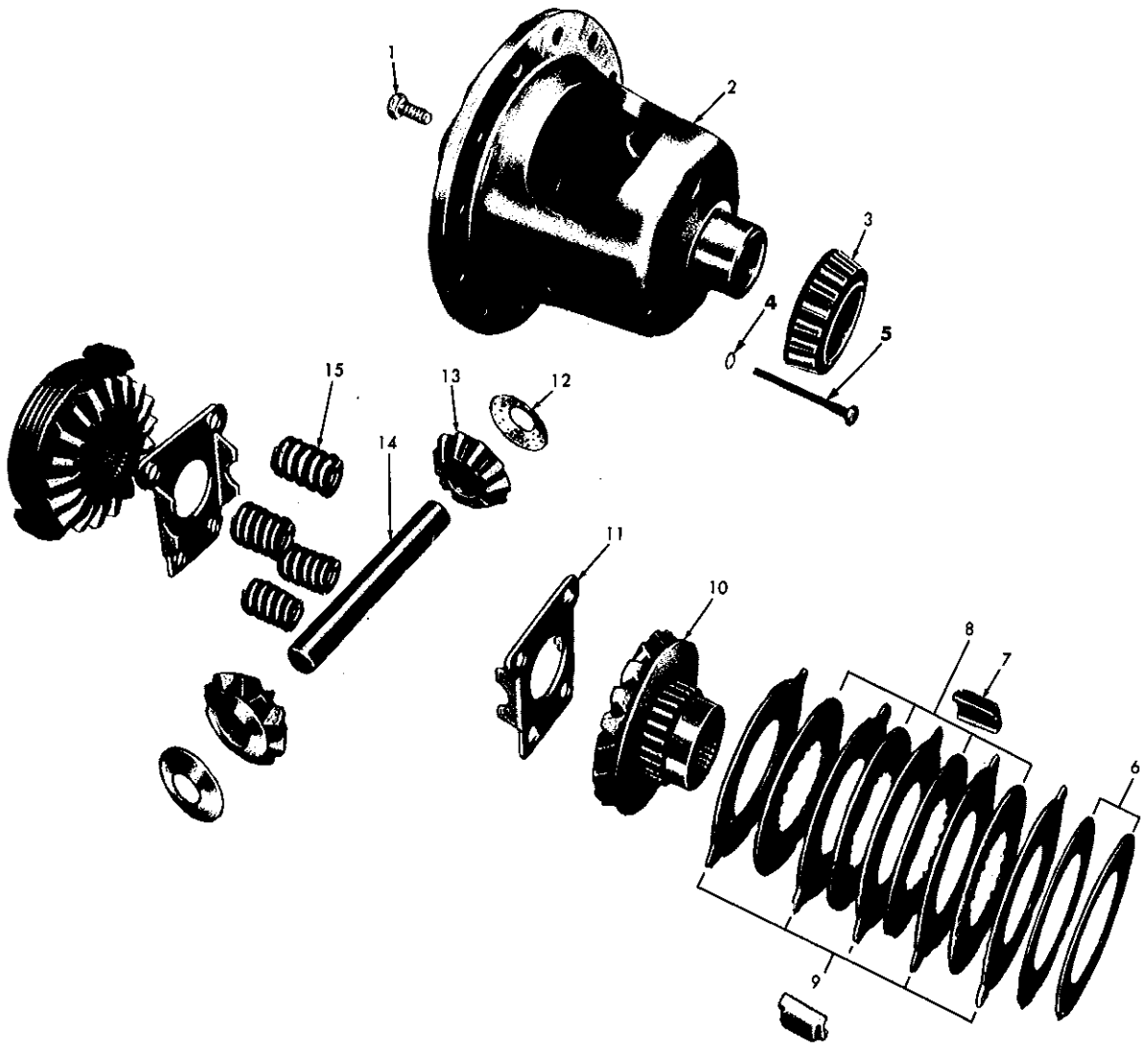


1963-75 CORVETTE REAR AXLE CARRIER ASSEMBLY-EXPLODED



5-2

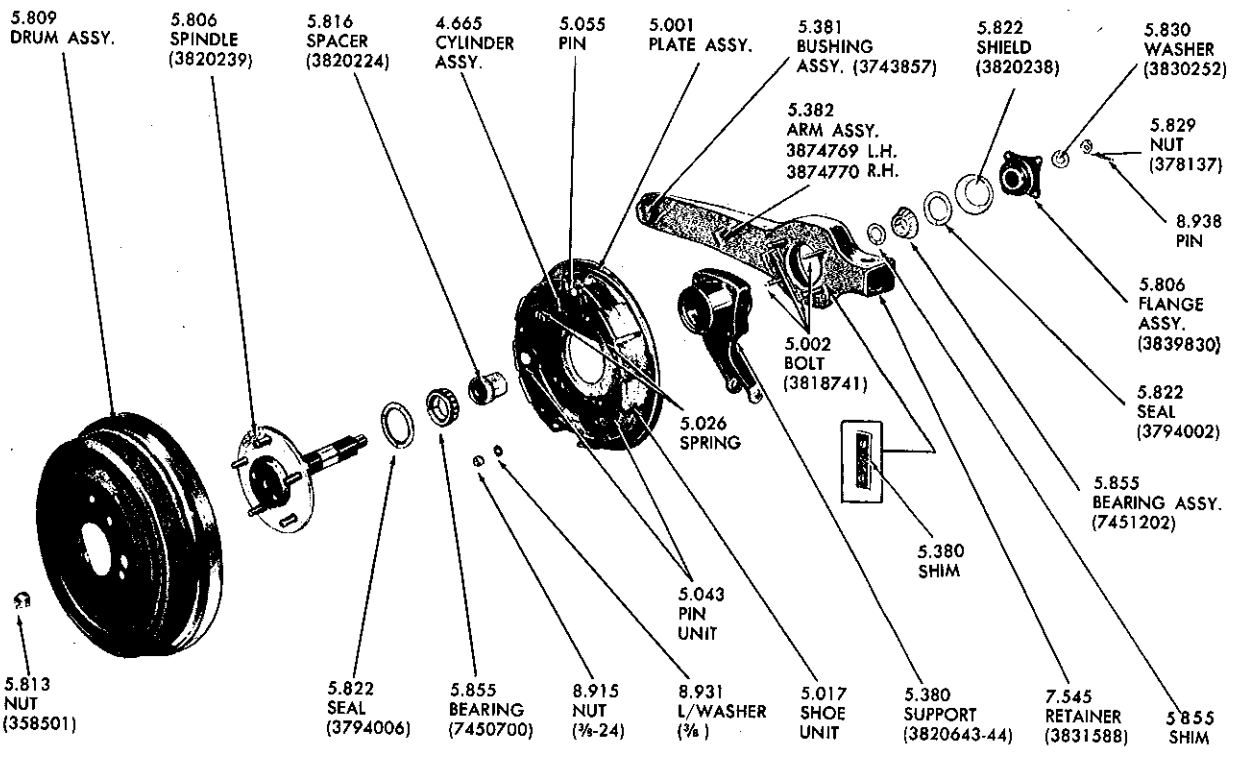
1963-64 CORVETTE POSITRACTION—EXPLODED



5-57

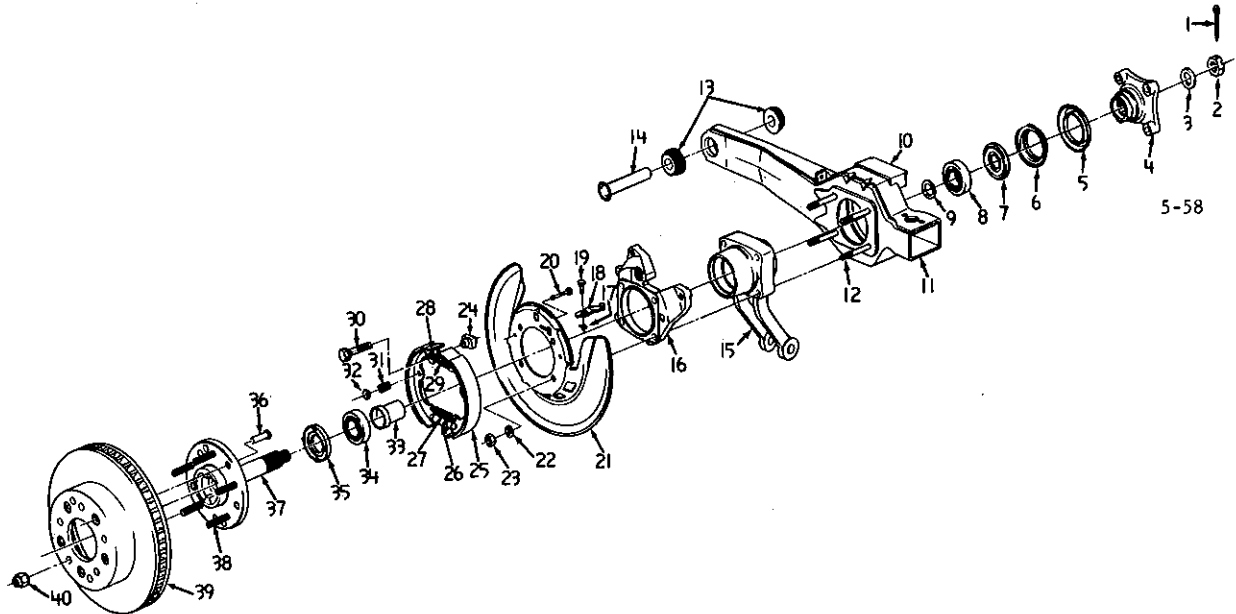
1964-75 CORVETTE POSITRACTION

- | | |
|---|---|
| 1. 5.531 SCREW | 9. N.S.S. EARED DISKS, Part of 5.511 Plate Unit |
| 2. 5.510 CASE | 10. 5.528 GEAR |
| 3. 5.536 BEARING | 11. 5.511 PLATE, Pressure |
| 4. 8.931 L/WASHER (5/16) | 12. 5.542 WASHER |
| 5. 5.518 SCREW | 13. 5.526 GEAR |
| 6. 5.511 SHIM | 14. 5.517 SHAFT |
| 7. 5.511 GUIDE | 15. 5.511 SPRING |
| 8. N.S.S. SPLINED DISKS, Part of 5.511 Plate Unit | |



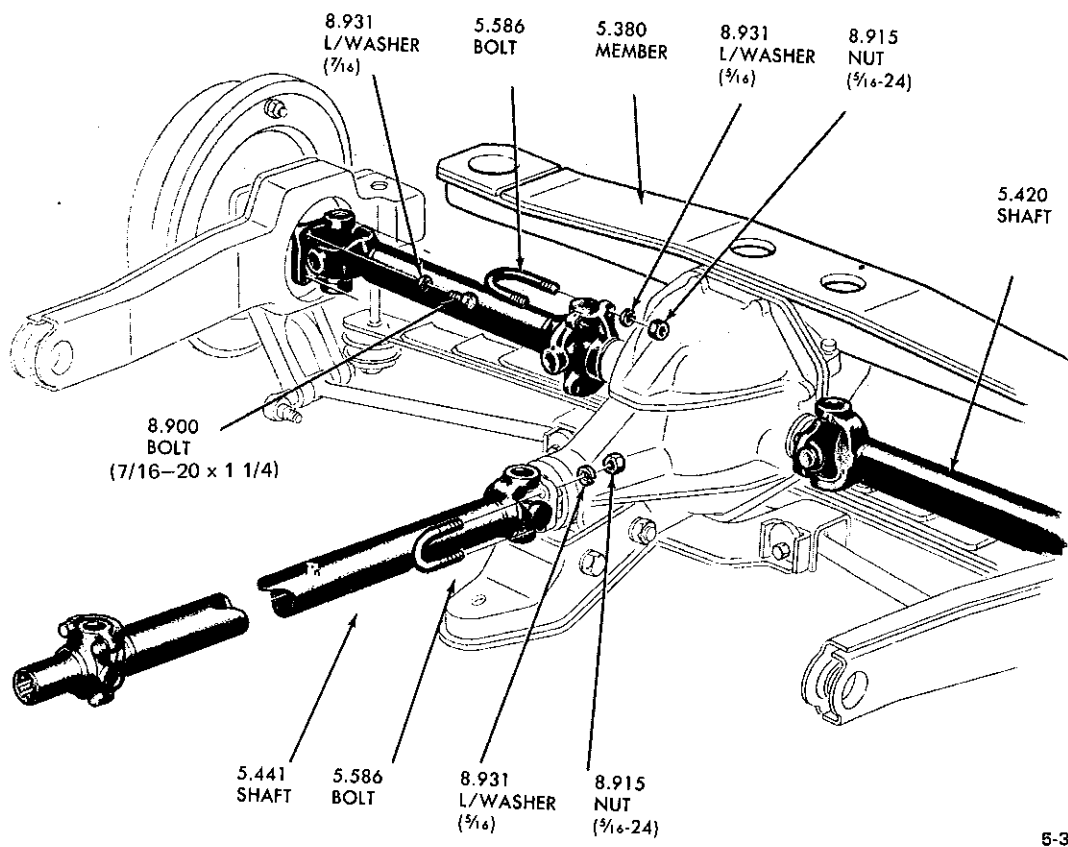
5-4

1963-65 CORVETTE SPINDLE ASSEMBLY—EXPLODED



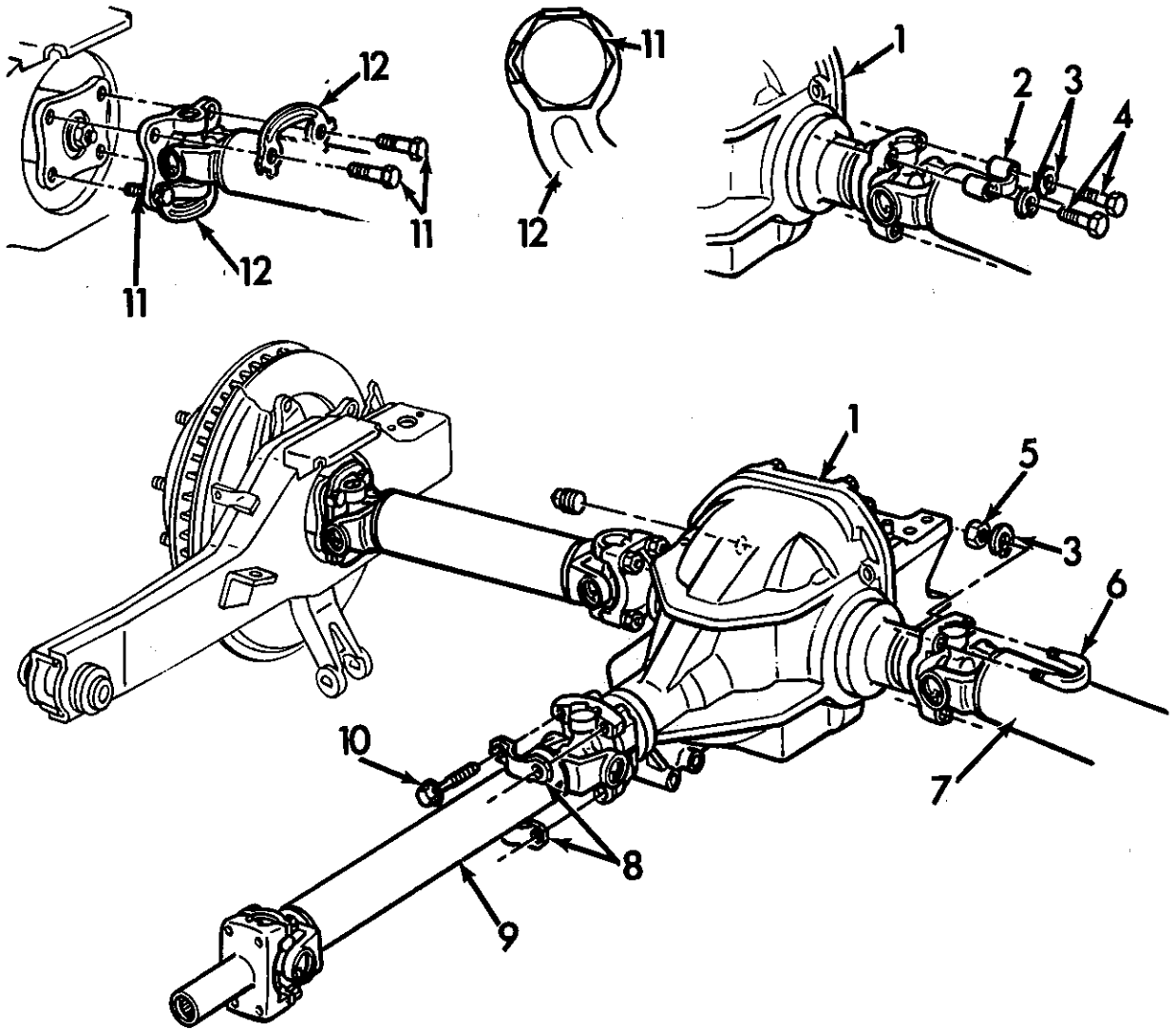
1965-75 CORVETTE REAR SPINDLE

| | | | | | | | |
|-----|--------|------------------------------------|------------|-----|--------|----------------------------------|------------|
| 1. | 8.939 | PIN | | 21. | 5.001A | PLATE | 5465982-83 |
| 2. | 5.829 | NUT | 378137 | 22. | 8.931 | LOCKWASHER (3/8) | |
| 3. | 5.830 | WASHER | 3839832 | 23. | 8.915 | NUT (3/8-24) | |
| 4. | 5.806 | FLANGE ASSY. | 3839830 | 24. | N.S.S. | PIN, Part of 5.001A Plate Assy. | |
| 5. | 5.425 | DEFLECTOR | 3820241 | 25. | 5.017 | SHOE UNIT | 5463579 |
| 6. | 5.425 | SHIELD | 3820238 | 26. | 5.110 | UNIT, Brake Shoe Adjusting | 5467297 |
| 7. | 5.822 | SEAL, Inner | 3794002 | 27. | 5.026 | SPRING, Adjuster | 5465944 |
| 8. | 5.855 | BEARING ASSY., Inner | 7451202 | 28. | 5.026 | SPRING, Pull Back | 5465944 |
| 9. | 5.855 | SHIM, Refer to Group for Thickness | | 29. | 5.150 | STRUT | 5463537-38 |
| 10. | 5.380 | BRACKET | 3864277 | 30. | 5.056 | BOLT | 5467056 |
| 11. | 5.382 | ARM ASSY. | 3874769-70 | 31. | N.S.S. | SPRING, Part of 5.043 Pin Unit | |
| 12. | 5.002 | BOLT | 3864037 | 32. | N.S.S. | RETAINER, Part of 5.043 Pin Unit | |
| 13. | 5.381 | BUSHING ASSY. | 3743857 | 33. | 5.816 | SPACER | 3820244 |
| 14. | 5.381 | RETAINER | 3819806 | 34. | 5.855 | BEARING ASSY., Outer | 7450700 |
| 15. | 5.380 | SUPPORT | 3820643-44 | 35. | 5.822 | SEAL, Outer | 3794006 |
| 16. | 5.001A | BRACKET | 3864113-14 | 36. | N.S. | RIVET | |
| 17. | 5.056 | CLIP | 5465995 | 37. | 5.806 | SPINDLE, w/Bolts | 3872476 |
| 18. | 5.149 | LEVER ASSY. | 5468678-79 | 38. | 5.812 | BOLT | 3910340 |
| 19. | N.S.S. | PIN, Part of 5.149 Lever Assy. | | 39. | 5.809 | DISK | 3996663 |
| 20. | N.S.S. | PIN, Part of 5.043 Pin Unit | | 40. | 5.813 | NUT | 368501 |



5-3

1963-75 CORVETTE PROPELLER SHAFT



5-71

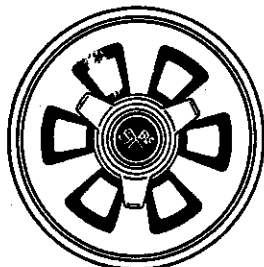
1975 CORVETTE DIFFERENTIAL CARRIER, DRIVE & PROP. SHAFTS

- | | | | | | |
|----|-------|---------------------------------------|-----|---|---------------------------------|
| 1. | 5.505 | CARRIER ASSY., differential (typical) | 7. | SHAFT & UJT ASSY., rr. whl. drive . . . | 352990 |
| 2. | 5.428 | CAP, rr. whl. dr. shf. UJT brg. | 8. | 5.586 | STRAP, prop. shf. & U-jt. assy. |
| 3. | 8.931 | WASHER, lock. 3/8 | 9. | 5.544 | SHAFT & UJT ASSY., prop. |
| 4. | 8.900 | BOLT | 10. | 5.586 | BOLT, spl. hx. 5/16-24 x 1 7/16 |
| 5. | 7.347 | NUT, hx. 3/8-24 | 11. | 8.900 | BOLT |
| 6. | 5.586 | U-BOLT, prop. shf. U-jt. to trans. | 12. | 5.428 | LOCK, rr. whl. dr. shf. |

COVER (Full Wheel)

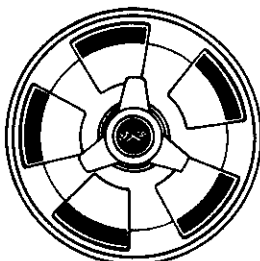
HUB CAPS AND WHEEL COVERS

1965



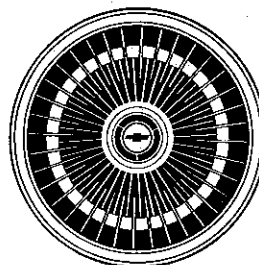
3964521
STD. ON CORVETTE

1966



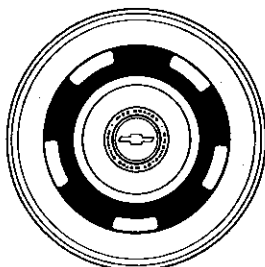
3964518
STD. ON CORVETTE

1967



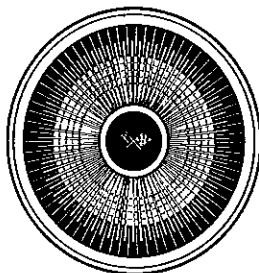
3910731 COVER
3910730 WHEEL

1967



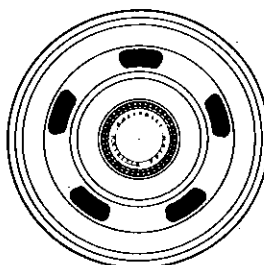
DISC BRAKES
3901712 CAP
3901715 ORNAMENT
9796696 RING ASSY.

1968-74



3923630

1968-75



DISC BRAKES
3925801 CAP
3925805 ORNAMENT
3923626 RING ASSY.

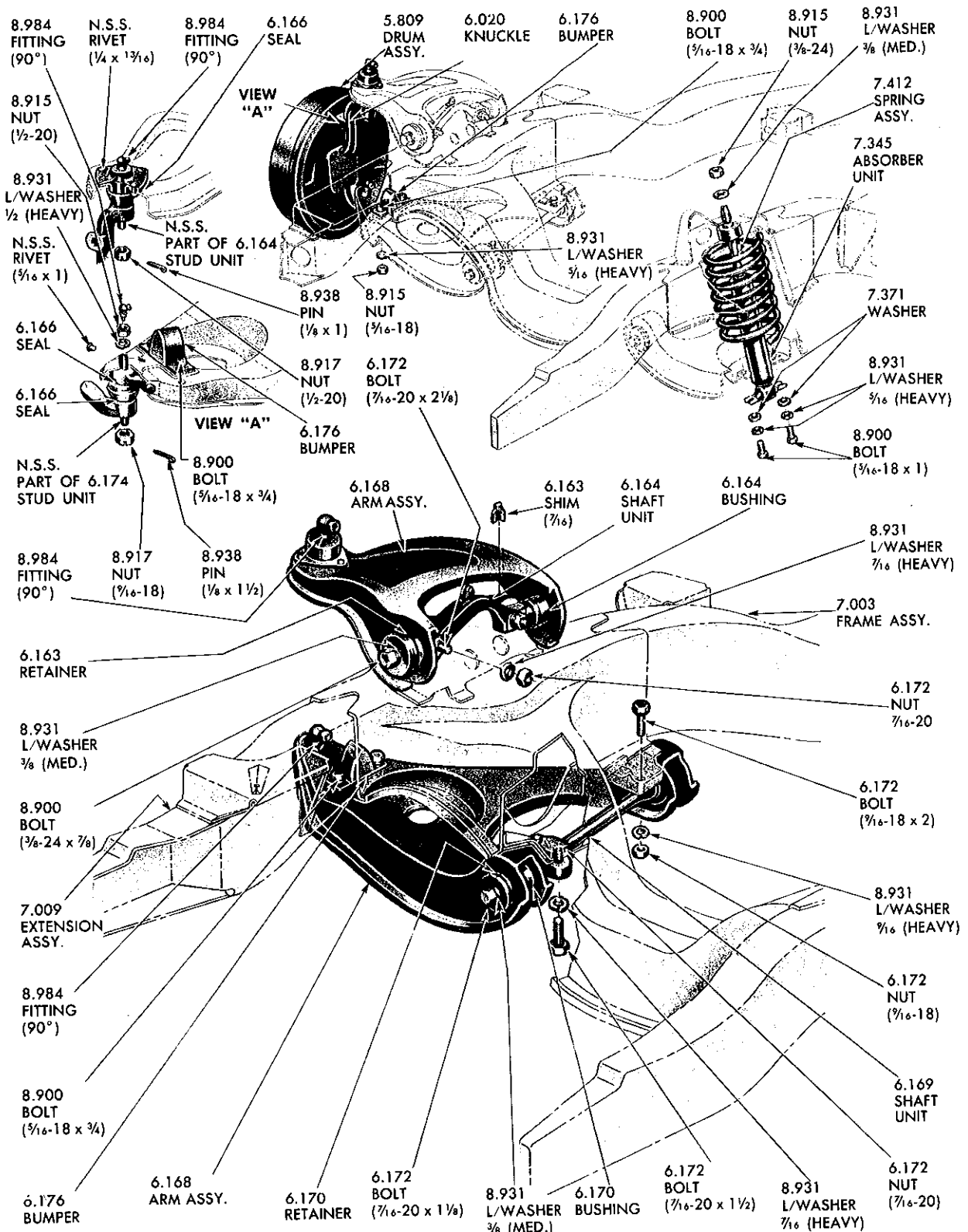
1973-74



331430

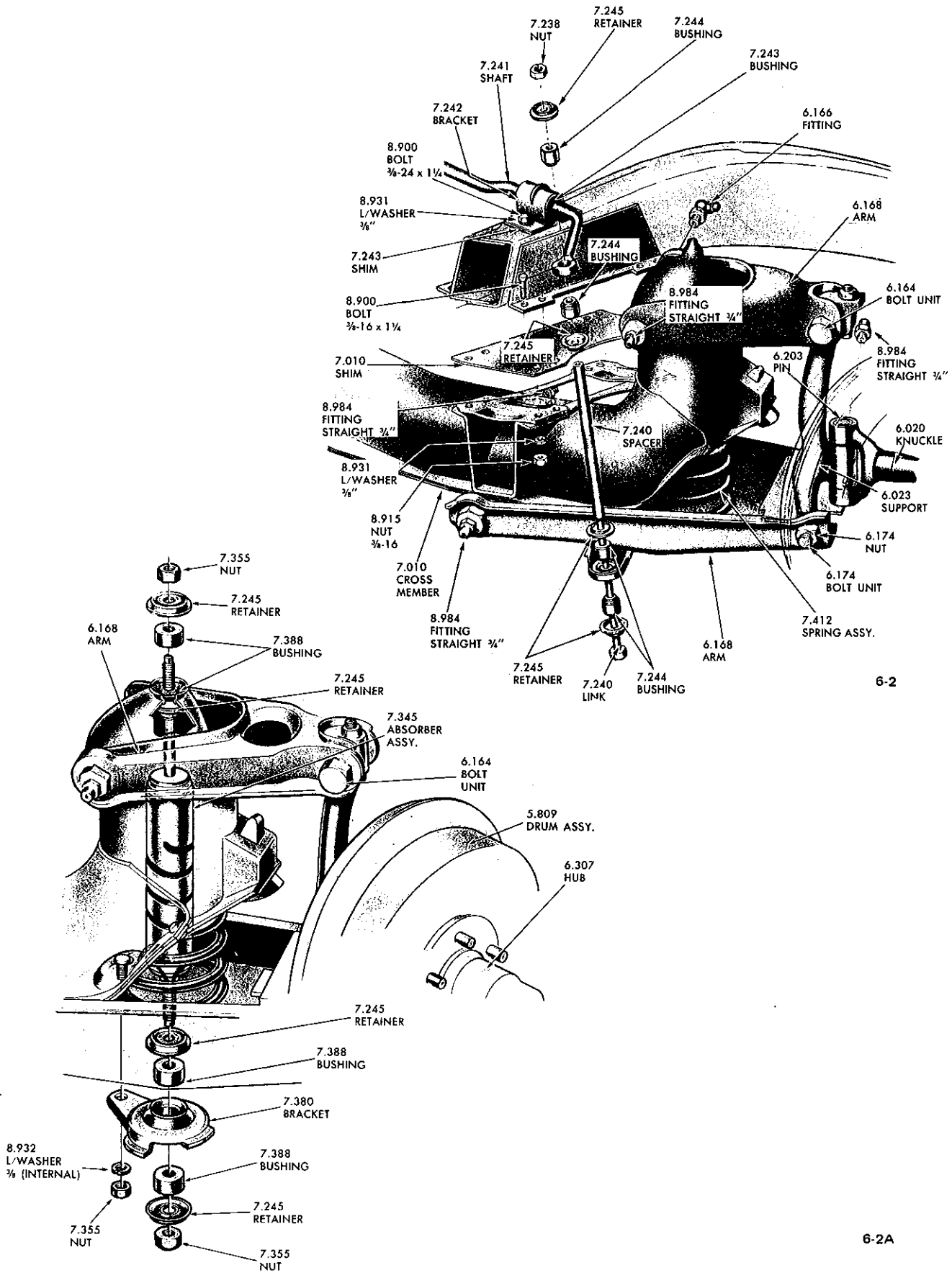
GROUP 6.000
FRONT AXLE —
STEERING



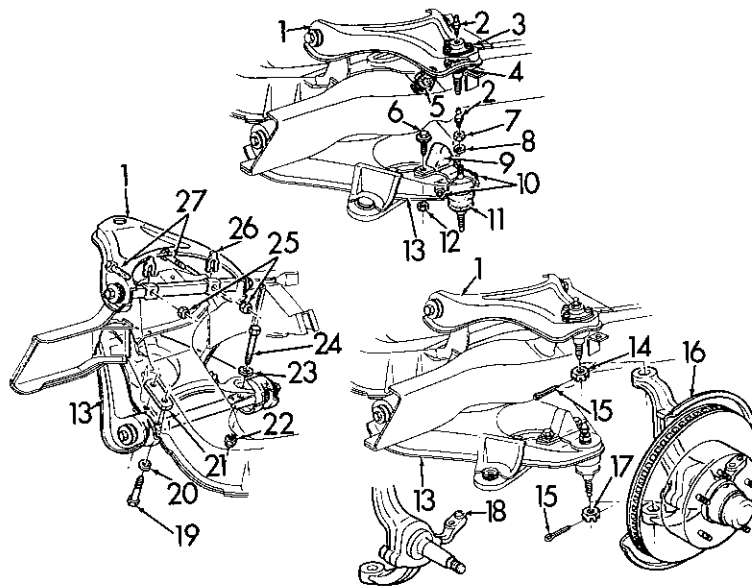


6-1

1958-65 CORVETTE FRONT END SUSPENSION



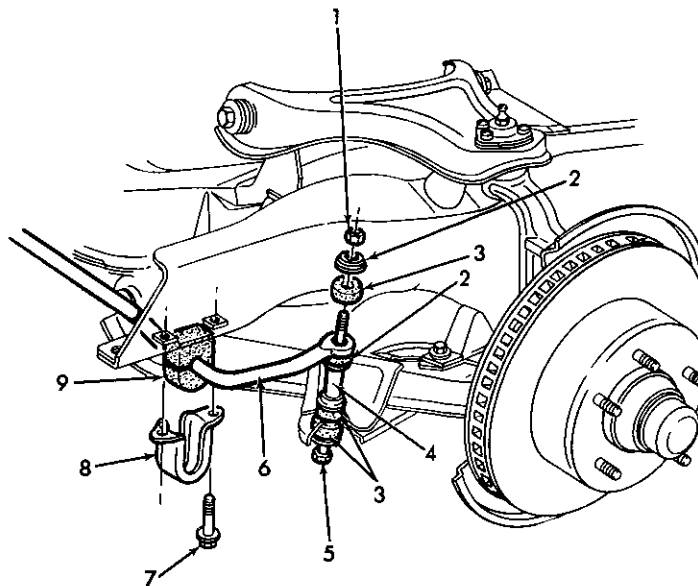
1958-62 CORVETTE FRONT SUSPENSION



6-210

1975 CORVETTE FRONT SUSPENSION

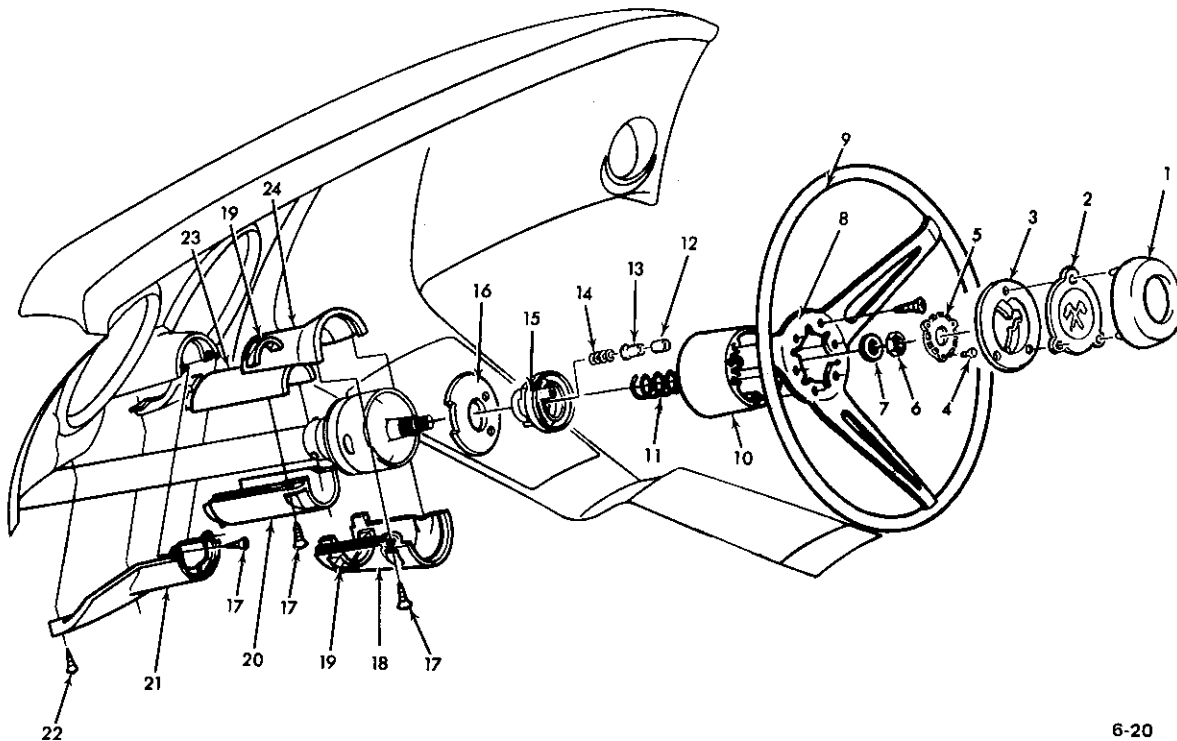
- | | | | | | | | |
|-----|-------|---|------------|-----|-------|----------------------------------|------------|
| 1. | 6.168 | ARM ASSY., strg. knu. upr. cont. . . | 3820481-82 | 14. | 8.917 | NUT, upr. strg. knu. 9/16-18 | |
| 2. | 8.984 | FITTING, frt. lub. 1/4-28 | 9417901 | 15. | 8.938 | COTTER PIN, 1/8 x 1 | |
| 3. | 8.967 | RIVET, 1/4 x 3/4 | | 16. | 6.000 | KNUCKLE & HUB ASSY., strg. . . . | 3989521-22 |
| 4. | 6.164 | STUD & SEAL ASSY., upr. control arm | | 17. | 8.917 | NUT, lwr. strg. knu. 9/16-18 | |
| 5. | 6.176 | BUMPER, upr. control arm | | 18. | 8.967 | RIVET | |
| 6. | 8.977 | SCREW ASSY., hx. 5/16-18 x 13/16 | | 19. | 8.900 | BOLT | |
| 7. | 8.915 | NUT | | 20. | 8.931 | WASHER, lock 7/16 | |
| 8. | 8.931 | WASHER, lock 1/2 | | 21. | 6.172 | NUT, anchor 7/16-20 | |
| 9. | 6.176 | BUMPER, strg./knu. lwr. cont. arm . | 3742252 | 22. | 8.917 | NUT, hx. 9/16-18 | |
| 10. | 8.967 | RIVET | | 23. | 6.172 | WASHER, push | |
| 11. | 6.174 | STUD & SEAL ASSY., lwr. control arm | 9742108 | 24. | 8.900 | BOLT, hx. 9/16-18 x 2-5/32 | |
| 12. | 8.915 | NUT, hx. 5/16-18 | | 25. | 8.917 | NUT, hx. 7/16-14 | |
| 13. | 6.103 | ARM ASSY., strg. knu. lwr. cont. . . | 3840603-04 | 26. | 6.178 | SHIM, 7/16 | |
| | | | | 27. | 6.178 | BOLT, 7/16-14 x 2-1/2 | |



6-211

1975 CORVETTE FRONT STABILIZER

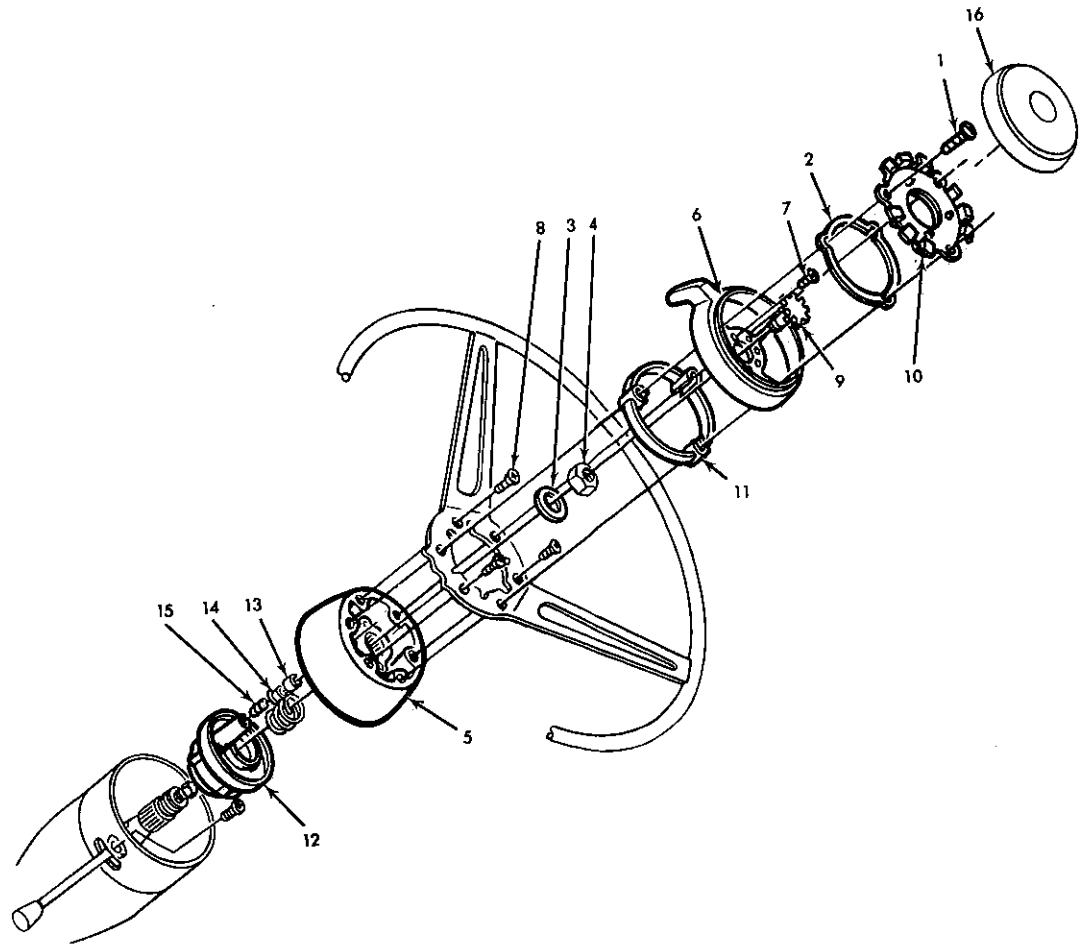
- | | | | | | |
|----|-------|--|----|-------|-------------------------------|
| 1. | 7.238 | NUT, hx. 5/16 x 24 | 6. | 7.241 | SHAFT, frt. stab. |
| 2. | 7.245 | RETAINER, grommet | 7. | 8.977 | SCREW, hx. 5/16-18 x 1-7/16 |
| 3. | 7.244 | GROMMET, spec. | 8. | 7.242 | BRACKET, frt. stab. shf. frm. |
| 4. | 7.240 | SPACER, grom. frt. stab. link bolt | 9. | 7.243 | BUSHING, frt. stab. shf. |
| 5. | 7.240 | BOLT, frt. stab. link, 5/16-24 x 5-39/64 | | | |



6-20

1968-75 CORVETTE STEERING COLUMN (EXC. TEL. W.)

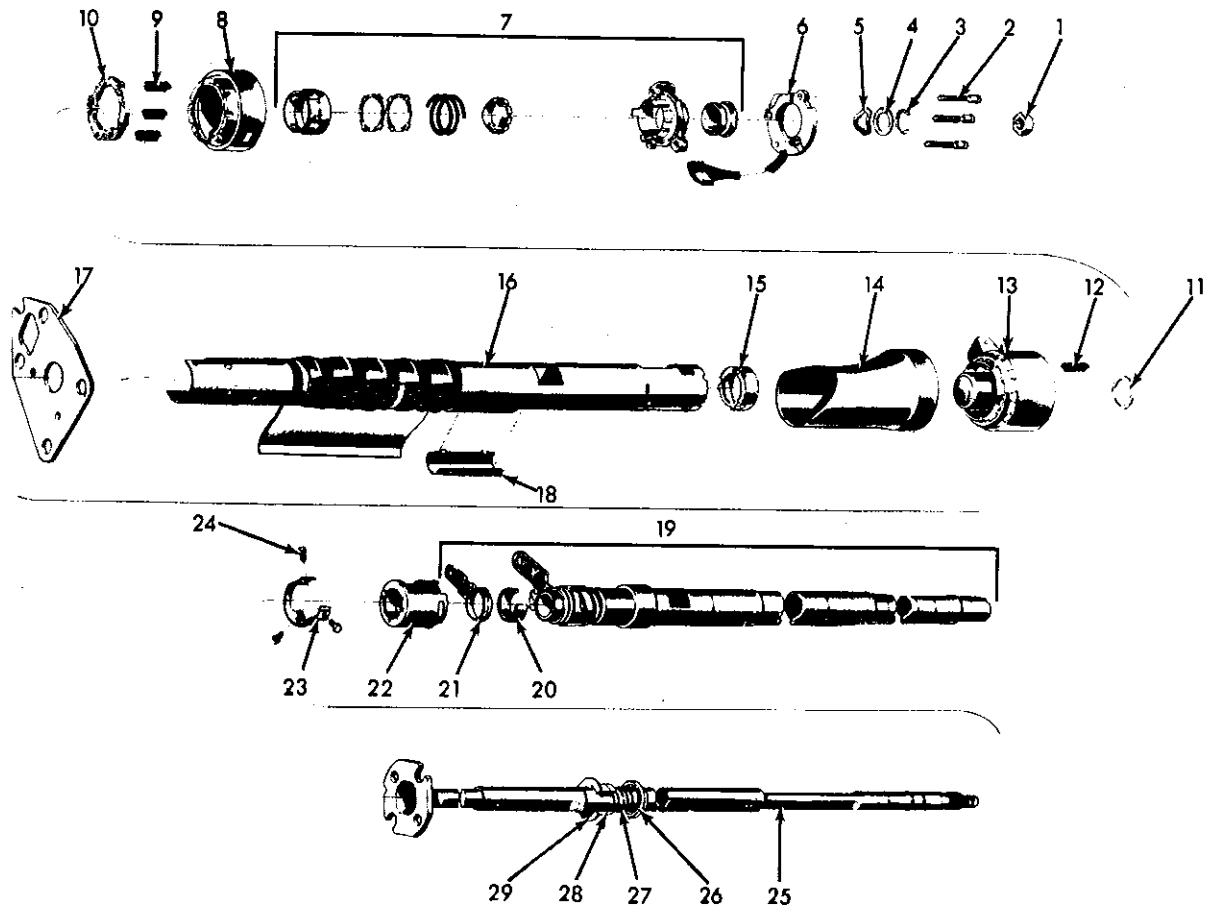
- | | |
|-------------------------------|-----------------------------------|
| 1. 2.820 CAP-HORN | 13. 2.819 EYELET |
| 2. 2.820 EMBLEM | 14. 2.819 SPRING |
| 3. 2.820 RETAINER | 15. 2.896 CAM ASSY. |
| 4. 8.913 SCREW (#8-32 x 5/8) | 16. 2.906 COVER-(SWITCH) |
| 5. 2.819 CONTACT ASSY. | 17. 8.977 SCREW (#6-20 x 1/2) |
| 6. 8.916 NUT (1/2-20) | 18. 6.518 COVER-LOWER |
| 7. 6.515 WASHER | 19. 6.519 SEAL |
| 8. 8.908 SCREW (#10-24 x 3/4) | 20. 6.518 EXTENSION-LOWER |
| 9. 6.513 WHEEL-STEERING | 21. 6.518 COVER-INST PANEL |
| 10. 6.512 HUB ASSY. | 22. 8.977 SCREW ASSY. (#8-18 x 1) |
| 11. 6.526 SPRING-(CAM) | 23. 6.518 EXTENSION-UPPER |
| 12. 2.819 INSULATOR | 24. 6.518 COVER-UPPER |



6-41

1965-75 CORVETTE TELESCOPING STEERING SHAFT

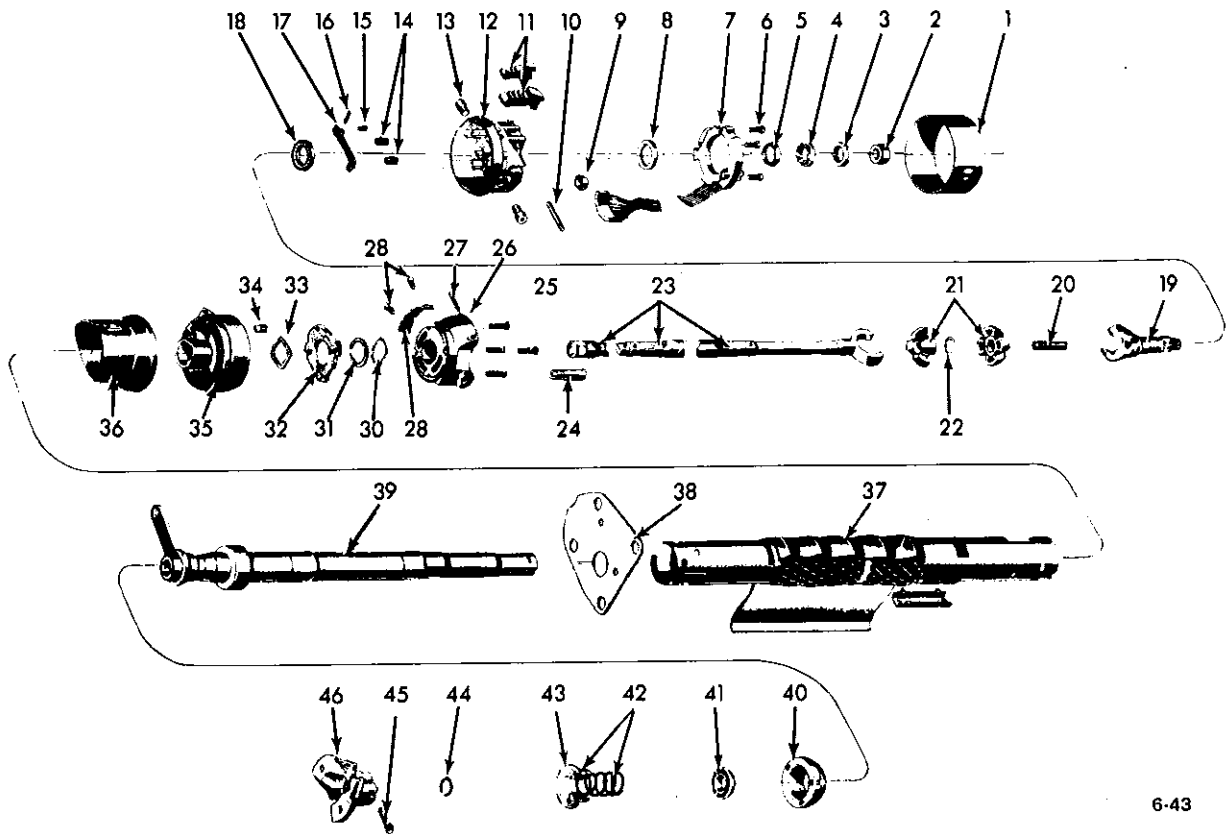
- | | |
|-------------------------------|-------------------------|
| 1. 2.820 SCREW | 9. 6.514 SCREW |
| 2. 2.810 SHIM | 10. 2.819 CONTACT ASSY. |
| 3. 6.515 WASHER | 11. 6.514 SPACER |
| 4. 8.916 NUT | 12. 2.896 CAM ASSY. |
| 5. 6.512 HUB ASSY. | 13. 2.819 INSULATOR |
| 6. 6.514 KNOB | 14. 2.819 EYELET |
| 7. 8.900 SCREW (#10-32 x 1/2) | 15. 2.819 SPRING |
| 8. 8.908 SCREW | 16. 2.820 CAP, Horn |



6-42

1967-68 STEERING COLUMN—(EXC. TILT WHEEL)

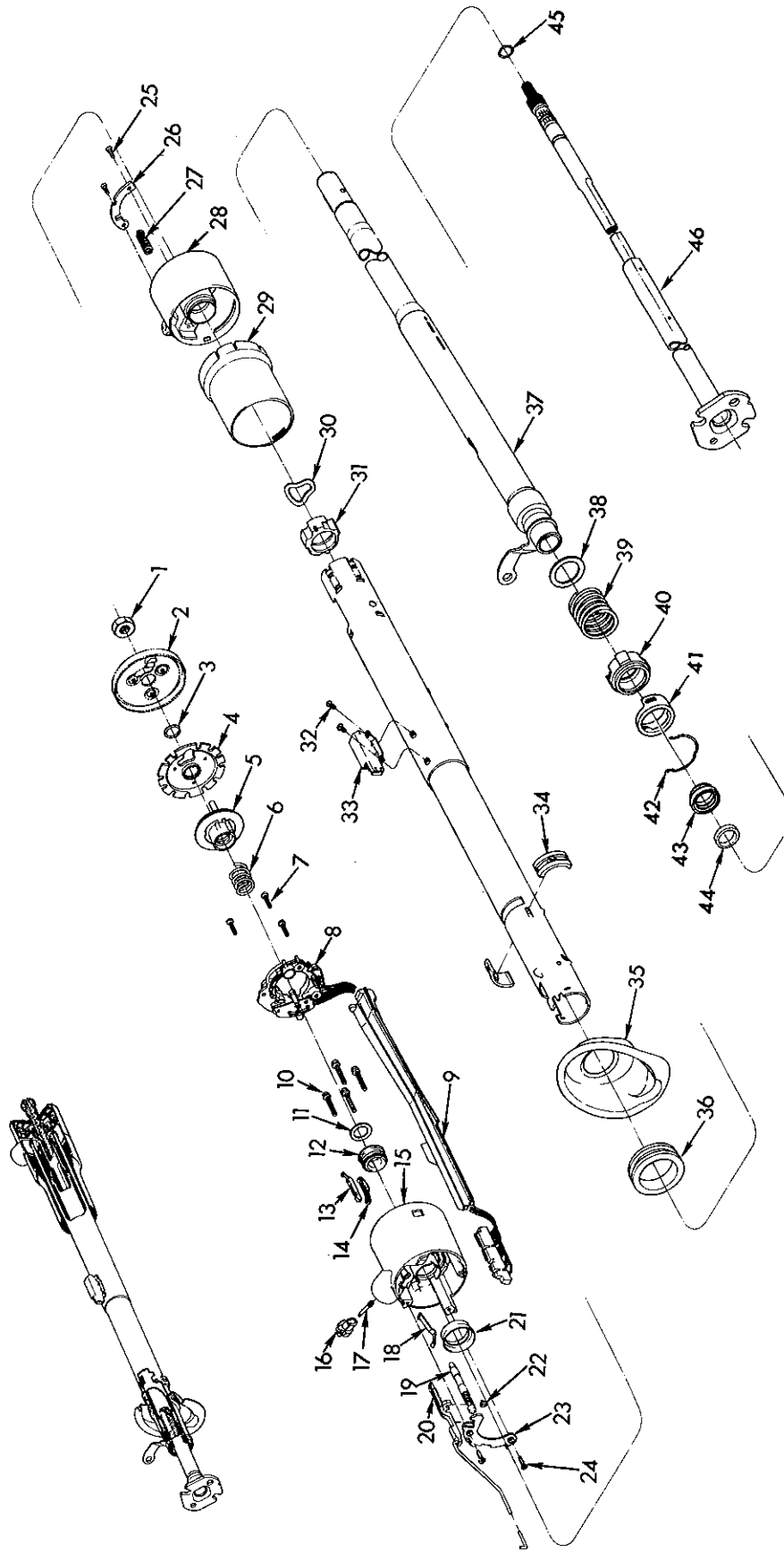
- | | |
|--------------------------|--------------------------------------|
| 1. 6.515 NUT (1/2-20) | 16. 6.518 JACKET ASSY. |
| 2. 2.895 SCREW | 17. 6.758 SEAL |
| 3. 6.521 RING | 18. 2.906 COVER |
| 4. 6.521 WASHER (Thrust) | 19. 4.025 TUBE ASSY. |
| 5. 6.521 WASHER (Wave) | 20. 4.032 SPACER |
| 6. 2.895 SWITCH ASSY. | 21. 4.030 LEVER |
| 7. 6.518 HOUSING | 22. 6.521 ADAPTER |
| 8. 2.906 COVER | 23. 4.022 RING |
| 9. 2.906 SPRING | 24. 6.525 BOLT |
| 10. 6.514 PLATE | 25. 6.524 SHAFT ASSY. |
| 11. 6.514 WASHER | 26. 6.521 BEARING |
| 12. 4.008 SPRING | 27. 6.521 SPRING |
| 13. 4.010 HOUSING | 28. N.S.S. Part of 6.521 SLEEVE UNIT |
| 14. 9.746 COVER | 29. N.S.S. Part of 6.521 SLEEVE UNIT |
| 15. 6.521 BEARING | |



6-43

1967-68 STEERING COLUMN (TILT WHEEL)

- | | |
|-------------------------|-------------------------|
| 1. 6.518 HOUSING | 24. 6.514 SPRING |
| 2. 6.515 NUT (1/2-20) | 25. 6.514 SCREW |
| 3. 6.521 NUT | 26. 6.514 SUPPORT ASSY. |
| 4. 6.521 SEAT | 27. 6.514 PIN |
| 5. 6.521 RACE | 28. 6.514 PLATE |
| 6. 2.895 SCREW | 29. 6.514 SCREW |
| 7. 2.895 SWITCH ASSY. | 30. 6.514 RING |
| 8. 6.521 BEARING ASSY. | 31. 6.514 WASHER |
| 9. 6.514 RETAINER | 32. 6.514 PLATE |
| 10. 6.514 PIN, Dowel | 33. 6.514 WASHER |
| 11. 6.514 SHOE | 34. 4.008 SPRING |
| 12. 6.514 HOUSING ASSY. | 35. 4.010 HOUSING |
| 13. 6.514 PIN, Pivot | 36. 6.518 EXTENSION |
| 14. 6.514 SPRING | 37. 6.518 JACKET ASSY. |
| 15. 6.514 SPRING | 38. 6.758 SEAL |
| 16. 6.514 PIN | 39. 4.025 TUBE ASSY. |
| 17. 6.514 LEVER | 40. 6.521 ADAPTER |
| 18. 6.521 BEARING ASSY. | 41. 6.521 BEARING |
| 19. 6.524 SHAFT | 42. 6.521 UNIT |
| 20. 6.514 SPRING | 43. 6.521 WASHER |
| 21. 6.514 SPHERE | 44. 6.526 RING |
| 22. 6.514 WASHER | 45. 8.900 BOLT |
| 23. 6.524 SHAFT ASSY. | 46. 6.252 FLANGE |



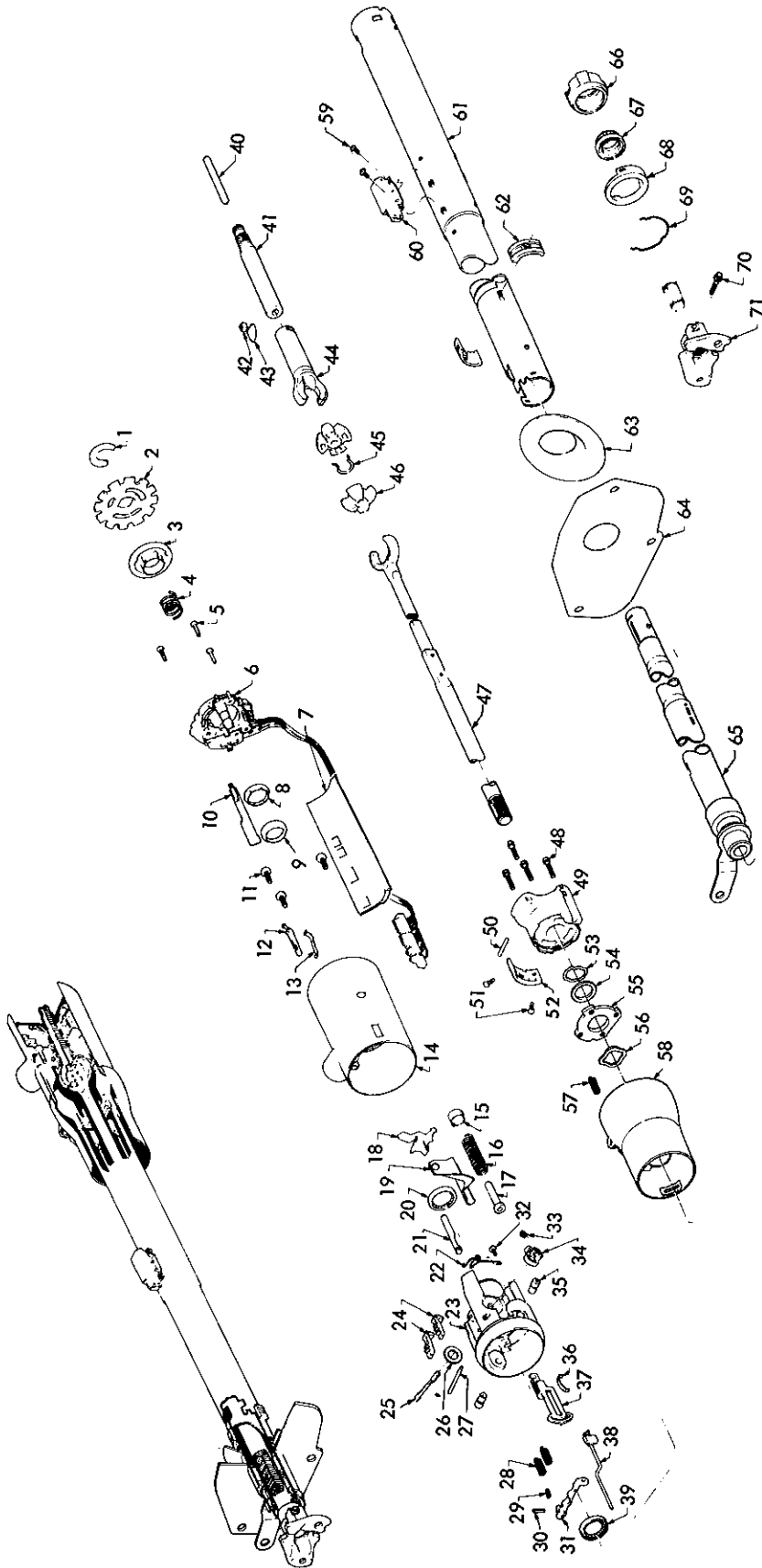
6-44

1969-75 STEERING COLUMN (EXC. TILT & TILT TEL.)

1969-75 STEERING COLUMN (EXC. TILT & TILT TEL.)

| | | | | | |
|-----|-------|---|-----|-------|--|
| 1. | N.L. | NUT | 22. | 6.500 | WASHER, Spring Thrust |
| 2. | 6.500 | COVER, Steering Shaft Lock Plate | 23. | 2.195 | PLATE, Steering Column Gear Shift Lever Detent |
| 3. | 6.521 | RETAINER, Shaft Lock Plate | 24. | 8.908 | SCREW |
| 4. | 6.500 | PLATE, Shaft Locking | 25. | 8.908 | SCREW |
| 5. | 2.896 | CAM, Directional Signal Lamp | 26. | 4.010 | PLATE, Steering Column Shift Tube Lock |
| 6. | 2.896 | SPRING, Cancel Cam | 27. | 4.027 | SPRING, Shift Tube Thrust |
| 7. | 2.895 | SCREW, Signal Switch Mtg. | 28. | 4.010 | HOUSING, Steering Column Gear Shift Lever |
| 8. | 2.895 | SWITCH, Directional Signal | 29. | N.L. | SHROUD |
| 9. | 2.906 | COVER, Signal Switch & Horn Wire | 30. | 4.012 | WASHER, Steering Column Shift Lever Housing Bearing Wave |
| 10. | 8.908 | SCREW | 31. | 6.421 | BEARING, Steering Column Jacket Assy., Bowl Lever |
| 11. | 4.012 | WASHER, Upper Retainer Ring Thrust | 32. | 2.188 | SCREW |
| 12. | 6.521 | BEARING ASSY., Upper Shaft | 33. | 2.188 | SWITCH, Ignition |
| 13. | 2.195 | SWITCH ASSY., Ignition Key Warning Buzzer | 34. | 2.698 | GROMMET, Lamp |
| 14. | 2.195 | CLIP, Ignition Key Warning Buzzer Switch | 35. | 6.758 | COLLAR, Steering Column |
| 15. | 2.906 | HOUSING, Steering Column | 36. | 6.758 | SEAL |
| 16. | 2.195 | SECTOR, Ignition Switch Actuator | 37. | 4.025 | TUBE |
| 17. | 2.195 | SHAFT, Ignition Switch Actuator Sector | 38. | 6.500 | WASHER, Spring Thrust |
| 18. | 2.195 | SPRING, Ignition Switch Rack Preload | 39. | 4.027 | SPRING, Shift Tube Thrust |
| 19. | 6.500 | BOLT, W/Spring | 40. | 6.508 | ADAPTER, Lower Bearing |
| 20. | 6.500 | ROD ASSY., W/Rack, Ign. Switch Actuator | 41. | 6.521 | REINFORCEMENT, Lower Bearing Adapter |
| 21. | 2.906 | CUP, Turn Signal Switch Housing Thrust | 42. | 6.521 | RETAINER, Lower Bearing Adapter |
| | | | 43. | 6.521 | BEARING ASSY., Lower Shaft |
| | | | 44. | 6.521 | SPACER, Lower Bearing |
| | | | 45. | 6.521 | RING, Lock Plate Retaining |
| | | | 46. | 6.524 | STEERING, Shaft |

6-44



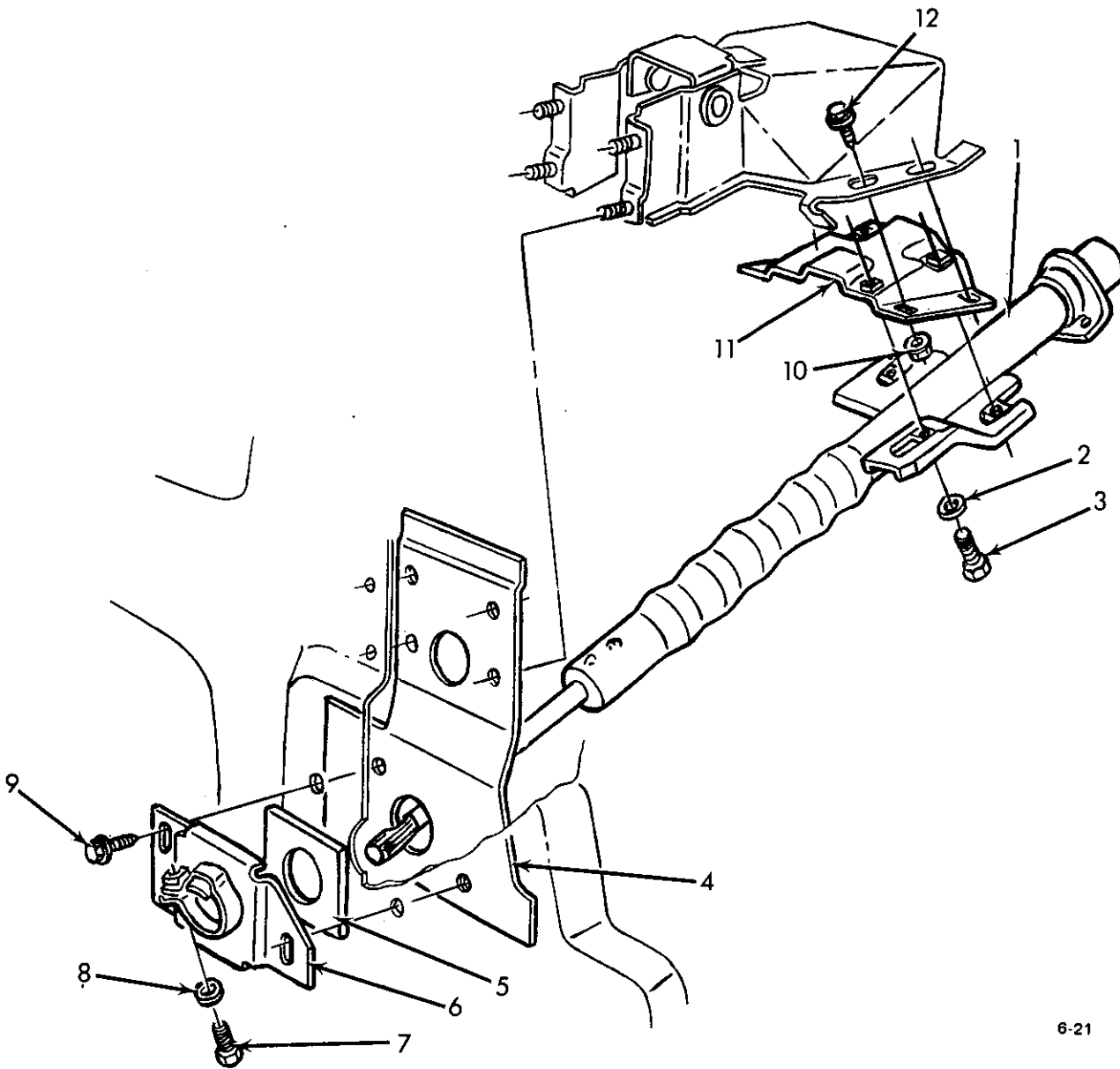
6-46

1969-75 CORVETTE TILT & TILT TEL. STEERING COLUMN

1969-75 TILT & TILT TEL. STEERING COLUMN

- | | | | | | |
|-----|--------|---|-----|--------|--------------------------------------|
| 1. | 2.819 | RING, Carrier Locking | 36. | 2.195 | SPRING, Ignition Switch Rack Preload |
| 2. | 6.500 | PLATE ASSY., Shaft Lock | 37. | 2.195 | RACK, Ignition Switch Actuator |
| 3. | 2.819 | CARRIER ASSY., Contact | 38. | 2.195 | ROD ASSY., Ignition Switch Actuator |
| 4. | 2.896 | SPRING, Cancel Cam | 39. | 6.521 | BEARING |
| 5. | 2.895 | SCREW, Signal Switch Mounting | 40. | 6.514 | ROD, Steering Shaft Locking |
| 6. | 2.895 | SWITCH ASSY., Dir. Signal & Traffic Hazard | 41. | 6.524 | SHAFT ASSY., Upper & Lower Steering |
| 7. | 2.906 | COVER | 42. | 6.514 | BUMPER, Steering Shaft Lock Knob |
| 8. | 6.521 | SEAT, Upper Bearing Preload | 43. | 6.521 | WEDGE, Column Locking |
| 9. | 6.521 | RACE, Upper Shaft Lower Bearing | 44. | N.S.S. | YOKE, (Part of No. 41 Shaft Assy.) |
| 10. | N.S.S. | LEVER, (Part of No. 6 Switch Assy.) | 45. | 6.521 | SPRING, Shaft Center Sphere |
| 11. | N.L. | SCREW | 46. | 6.514 | SPHERE, Shaft Center |
| 12. | 2.195 | SWITCH ASSY., Steering Column Ignition Key Warning Buzzer | 47. | 6.524 | SHAFT |
| 13. | 2.195 | CLIP, Ignition Key Warning Buzzer Switch | 48. | 6.514 | SCREW, Steering Column Support |
| 14. | 2.906 | COVER ASSY., w/Lock | 49. | 6.514 | SUPPORT ASSY., Turn Signal Housing |
| 15. | 6.514 | RETAINER, Spring | 50. | 6.514 | PIN |
| 16. | 6.521 | SPRING, Tilt Wheel | 51. | N.L. | SCREW |
| 17. | 6.514 | GUIDE, Tilt Spring | 52. | 4.027 | PLATE |
| 18. | 6.514 | SHIELD, Tilt Lever Opening | 53. | 4.027 | RING, Support Retainer |
| 19. | 2.906 | SHIELD, Sig. Lever Opening | 54. | 4.012 | WASHER, Support Thrust |
| 20. | 6.521 | BEARING, Upr. Steering Shaft Lwr. | 55. | 6.514 | PLATE, Support Lock |
| 21. | 6.500 | BOLT, Shaft Lock | 56. | 4.012 | WASHER, Support Wave |
| 22. | 6.500 | SPRING, Steering Shaft Lock Bolt | 57. | 4.008 | SPRING, Gearshift Lever |
| 23. | 6.518 | HOUSING, Steering Shaft Bearing | 58. | 4.010 | HOUSING, Gearshift Lever |
| 24. | 6.514 | SHOE, Lock (3-4 Position) | 59. | 2.188 | SCREW, Ignition Switch |
| 25. | 2.195 | SHAFT, Ignition Switch Sector Door | 60. | 2.188 | SWITCH ASSY., Ignition |
| 26. | 2.195 | WASHER, Ignition Switch Sector Door Shaft | 61. | 6.518 | JACKET ASSY. |
| 27. | 6.514 | PIN, Strg. Column, Tilt Lock Shoe Retainer | 62. | 2.698 | GROMMET, Lamp |
| 28. | 6.514 | SPRING, Shoe Release | 63. | 6.758 | GROMMET, Jacket |
| 29. | 6.514 | SPRING, Tilt | 64. | 6.758 | SEAL, Steering Column Dash |
| 30. | 6.514 | PIN, Shoe Release Lever | 65. | 4.025 | TUBE ASSY., Steering Column Shifter |
| 31. | 6.514 | LEVER, Shoe Release | 66. | 6.521 | ADAPTER, Lower Bearing |
| 32. | 6.500 | SCREW, Steering Shaft Lock Bolt Spring | 67. | 6.521 | BEARING, Lower Shift Tube |
| 33. | 2.195 | RETAINER, Ignition Switch Actuator Sector | 68. | 6.521 | REINFORCEMENT, Lower Bearing Adapter |
| 34. | 2.195 | SECTOR | 69. | 6.521 | RETAINER, Lower Bearing Adapter |
| 35. | 6.514 | PIN, Pivot | 70. | 6.525 | BOLT, Flange |
| | | | 71. | 6.525 | FLANGE ASSY. |

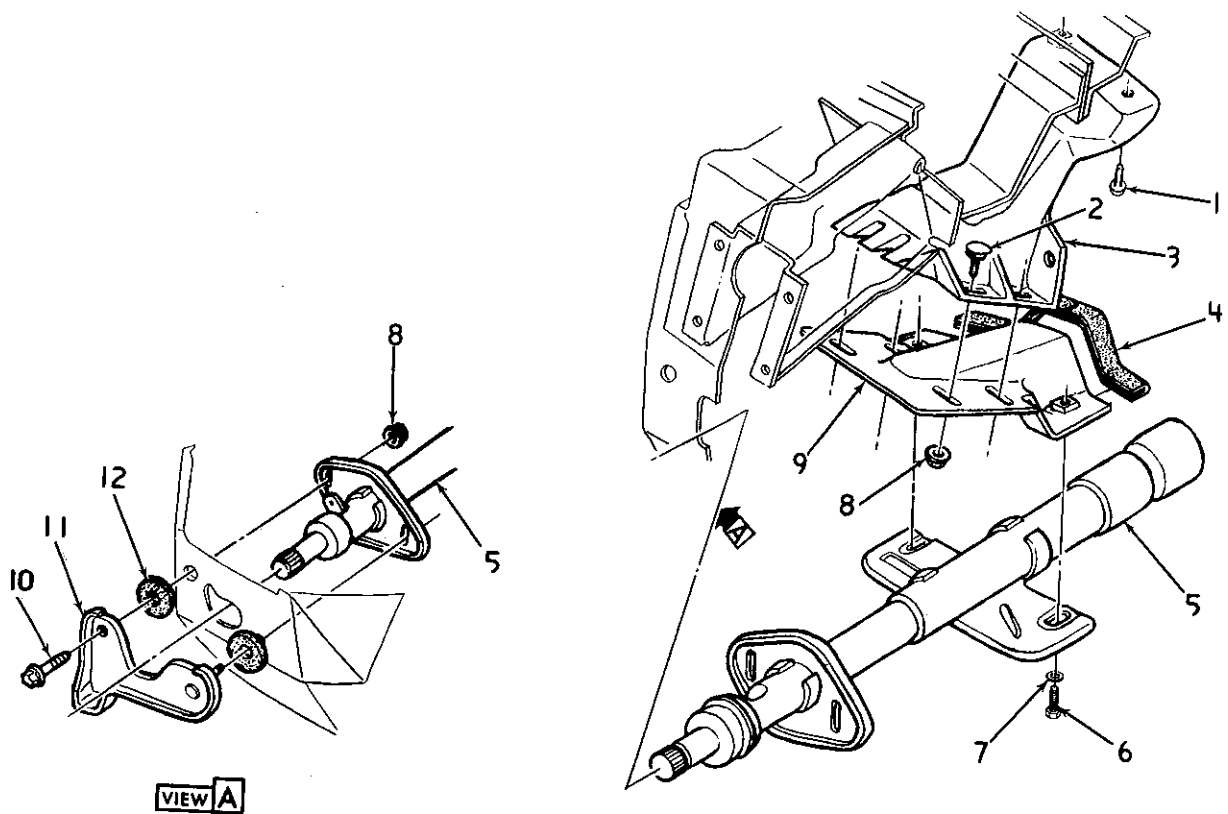
6-46



6-21

1967-70 CORVETTE STEERING COLUMN AND SUPPORT

- | | |
|----------------------------|----------------------------------|
| 1. 6.518 JACKET ASSY. | 7. 8.900 BOLT (5/16-18 x 1) |
| 2. 6.897 WASHER | 8. 8.931 WASHER (5/16) |
| 3. 8.900 BOLT (3/8-16 x 1) | 9. 8.900 BOLT (5/16-18 x 1-1/16) |
| 4. 10.230 REINF. ASSY. | 10. 8.915 NUT (5/16-18) |
| 5. 6.525 SEAL | 11. 6.760 SUPPORT |
| 6. 6.760 SUPPORT ASSY. | 12. 8.900 BOLT (5/16-18 x 7/8) |

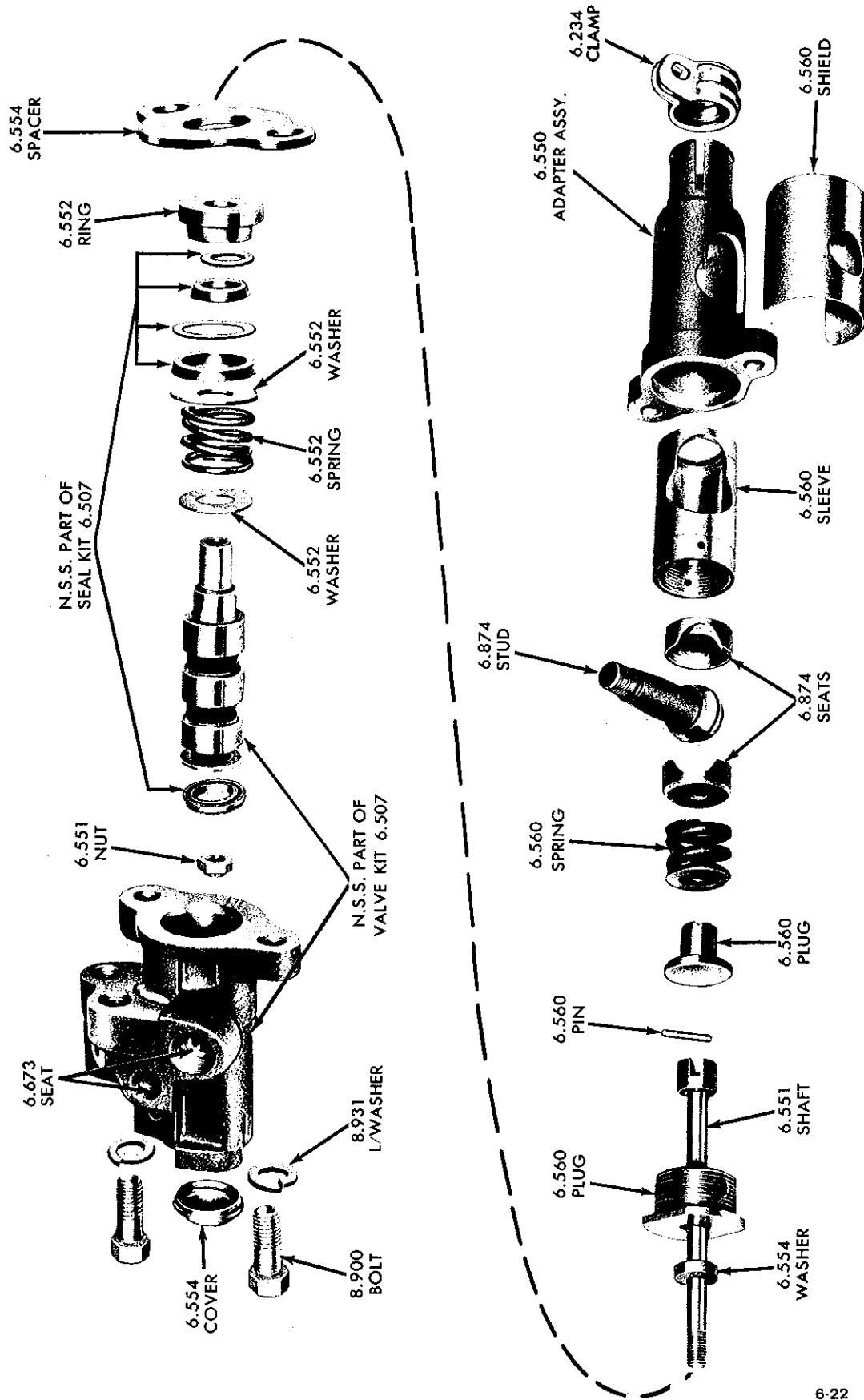


6-16

1971-75 CORVETTE STEERING COLUMN SUPPORT ASSY.

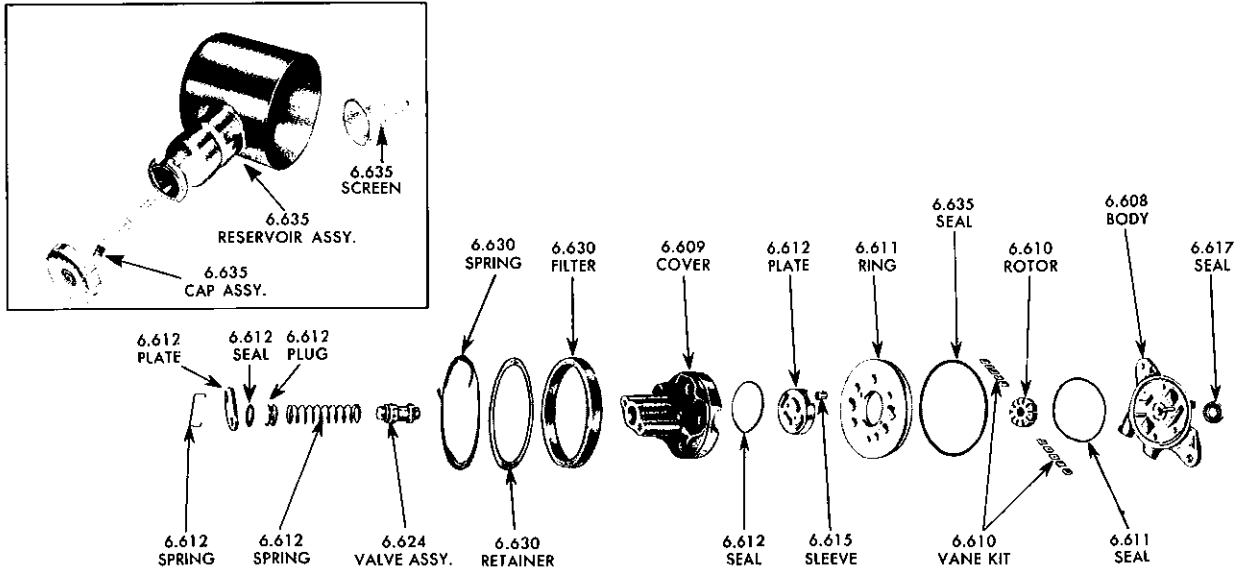
- | | | |
|-----------------------------------|-------------------------|---------|
| 1. 8.900 SCREW (5/16-18 x 1) | 7. 6.897 WASHER | 3793578 |
| 2. 8.903 BOLT (5/16-18 x 7/8) | 8. 8.917 NUT (5/16-18) | |
| 3. 6.518 BRACKET | 9. 6.760 SUPPORT ASSY. | 3945326 |
| 4. 1.277 SEAL | 10. 8.900 BOLT | |
| 5. 6.518 COLUMN ASSY. (Exc. Tilt) | 11. 4.047 BRACKET ASSY. | 3949076 |
| 6.518 COLUMN ASSY. (w/Tilt) | 12. N.S. SEALER | |
| 6. 8.900 BOLT (3/8-16 x 1) | | |

6.550 COMPLETE CONTROL VALVE & ADAPTER ASSY.



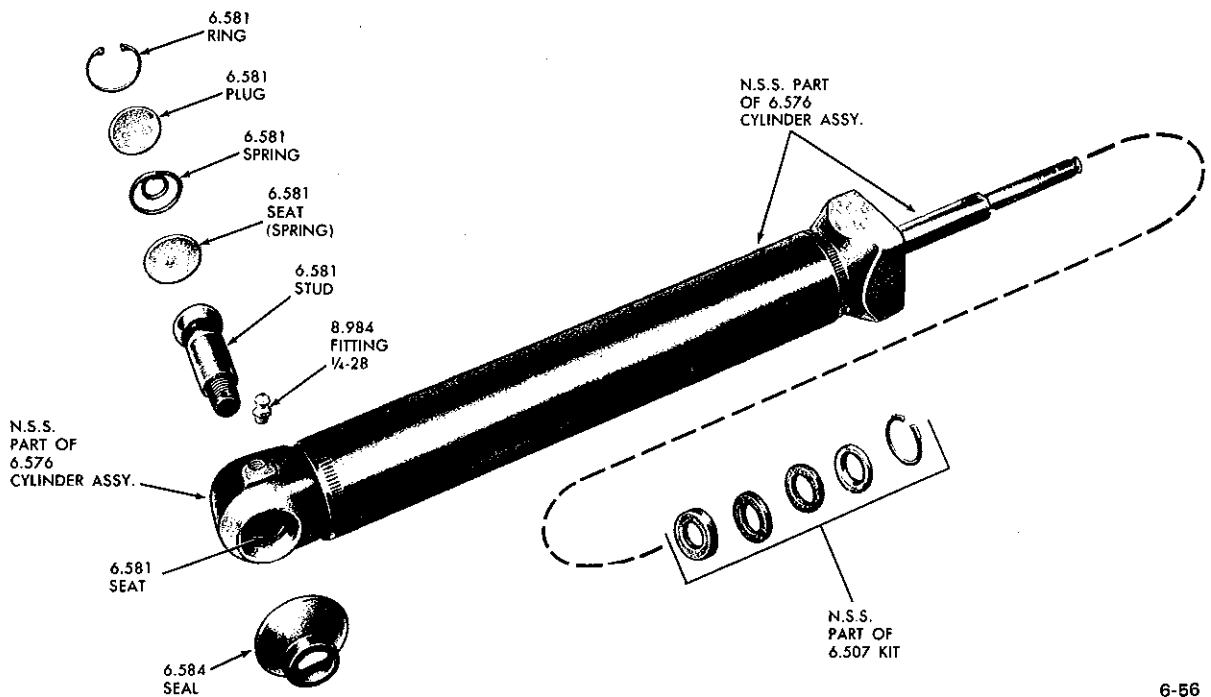
6-22

1955-57 POWER STEERING CONTROL VALVE



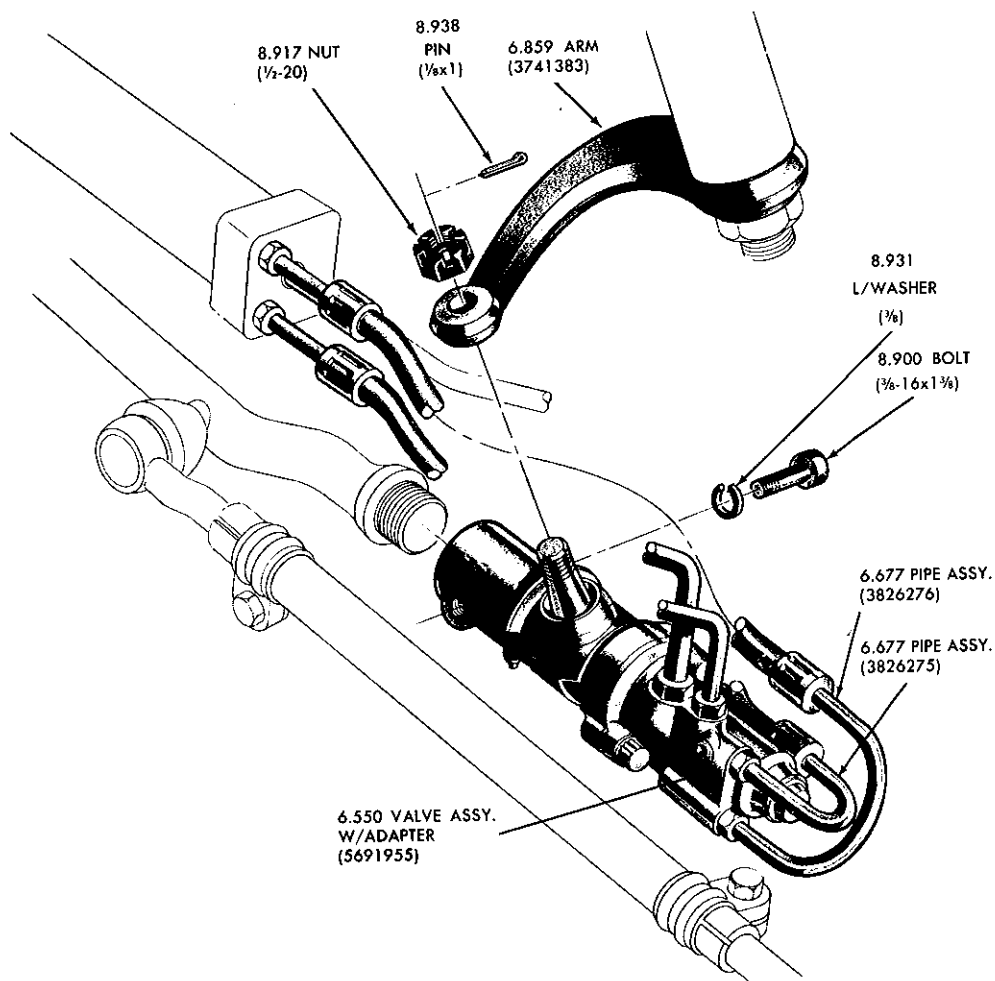
6-55

1955-59 POWER STEERING PUMP AND RESERVOIR



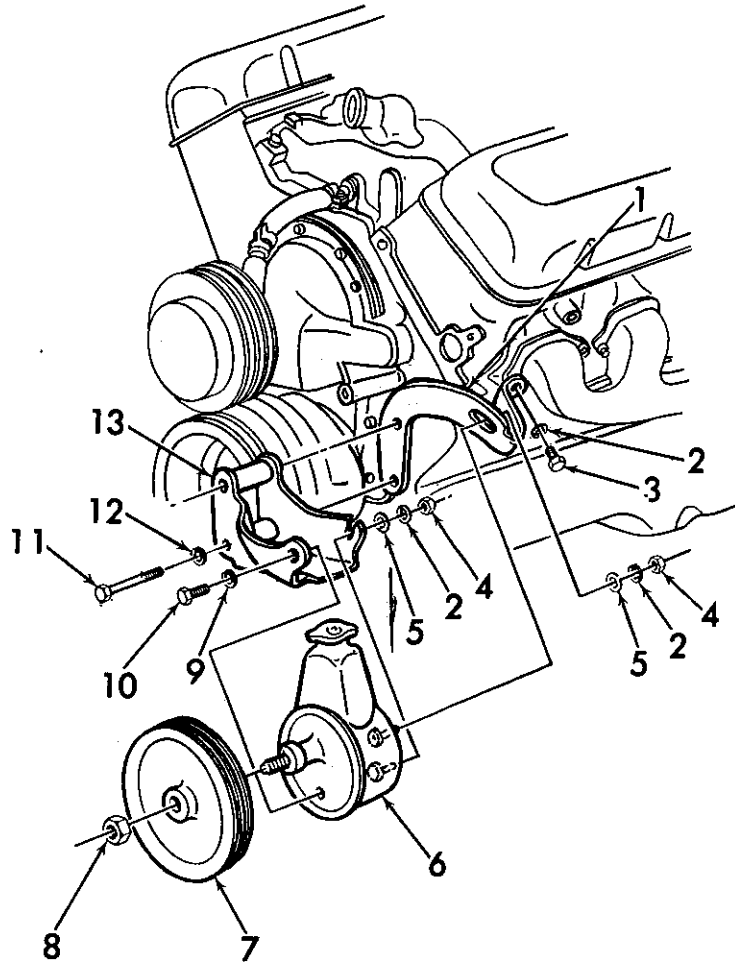
6-56

1958-64 POWER STEERING CYLINDER



6-57

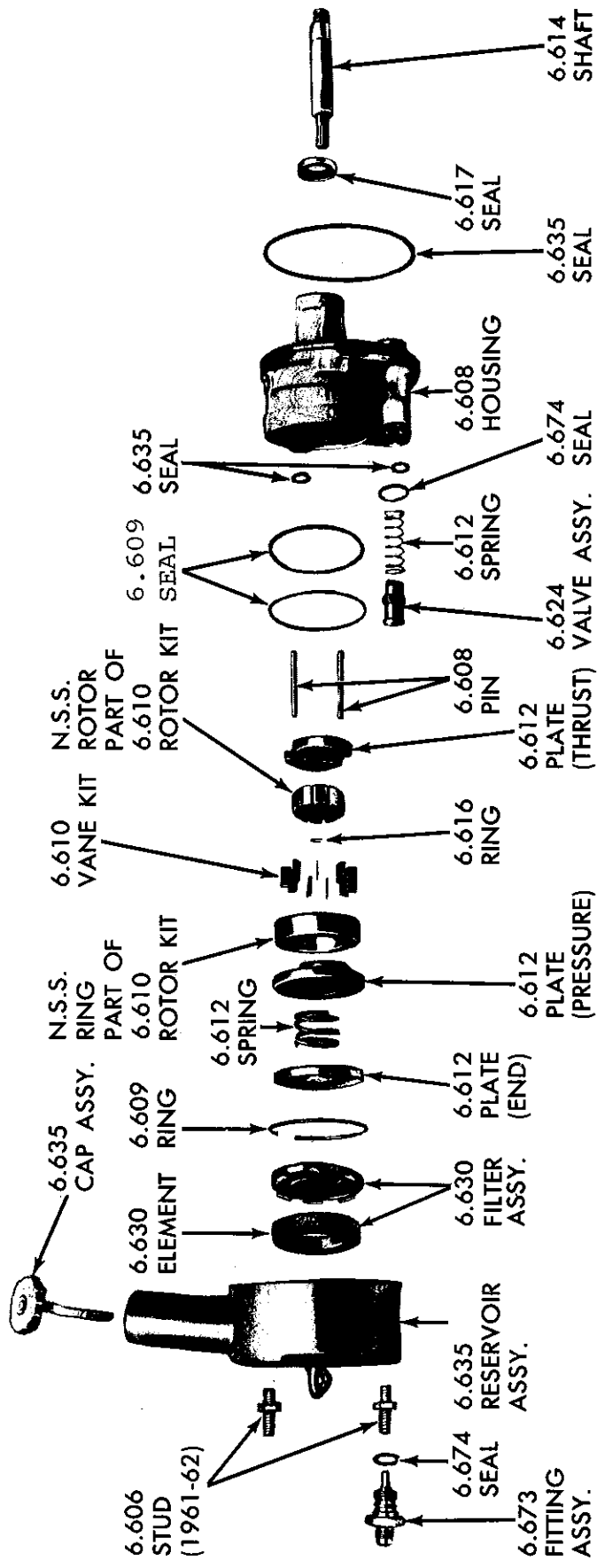
1963-67 CORVETTE POWER STEERING CONTROL VALVE



6-82

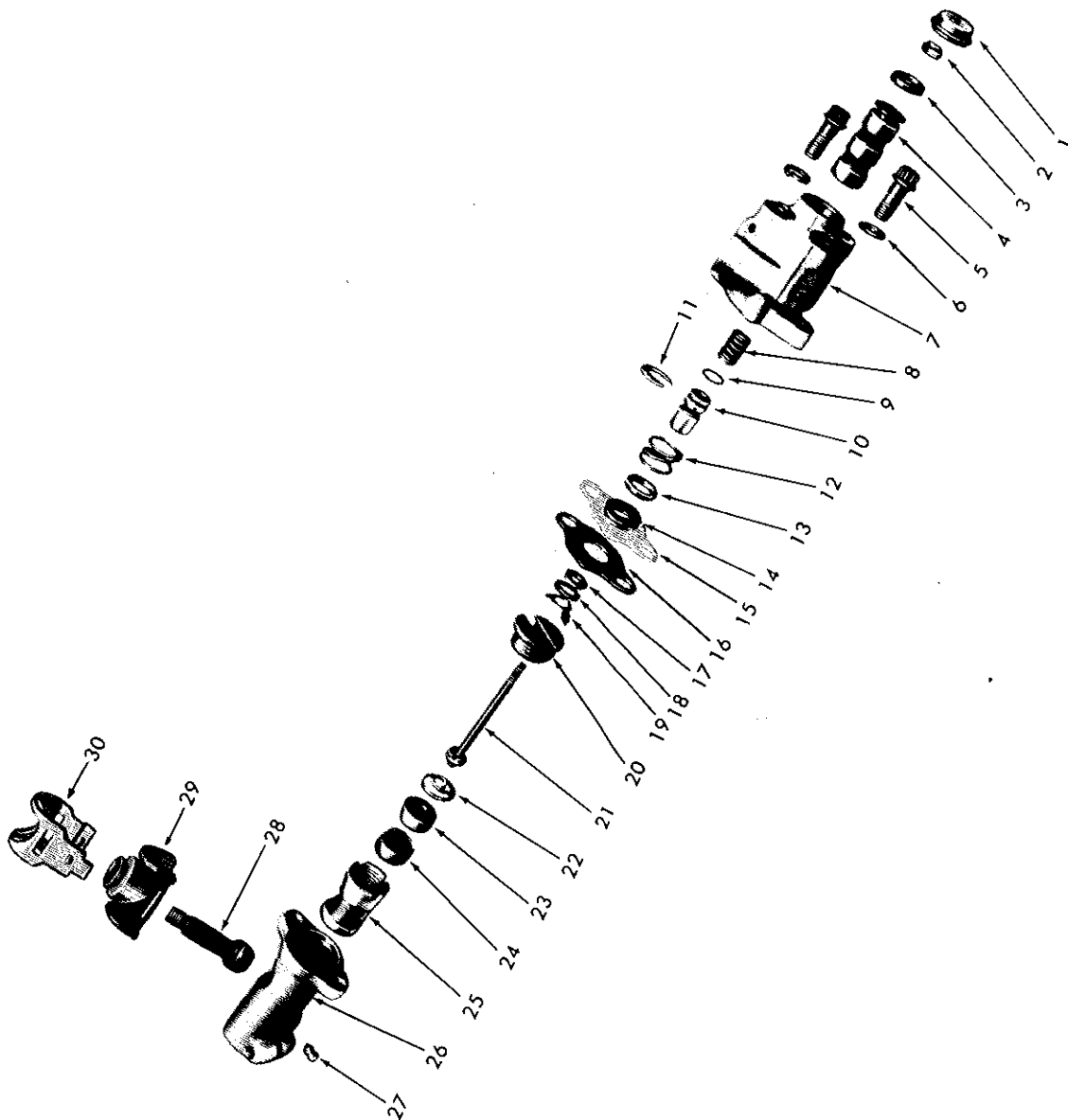
1970-74 CORVETTE POWER STEERING PUMP MOUNTING (454)

| | | | | | |
|----|---------------------------|---------|-----|------------------------------|---------|
| 1. | 6.606 BRACE | 3946000 | 8. | 8.917 NUT (9/16-18) | |
| 2. | 8.931 L/WASHER (3/8) | | 9. | 8.932 L/WASHER (3/8-17/32) | |
| 3. | 8.900 BOLT (3/8-16 x 7/8) | | 10. | 8.900 BOLT (3/8-16 x 1/2) | |
| 4. | 8.915 NUT (3/8-16) | | 11. | 8.900 BOLT (7/16-14 x 3-1/8) | |
| 5. | 8.929 P/WASHER | | 12. | 8.931 L/WASHER (7/16) | |
| 6. | 6.605 PUMP (1970-73) | 7808286 | 13. | 6.606 BRACKET | 3946002 |
| | 6.605 PUMP (1974) | 7816847 | | | |
| 7. | 6.655 PULLEY | 3878245 | | | |



6-58

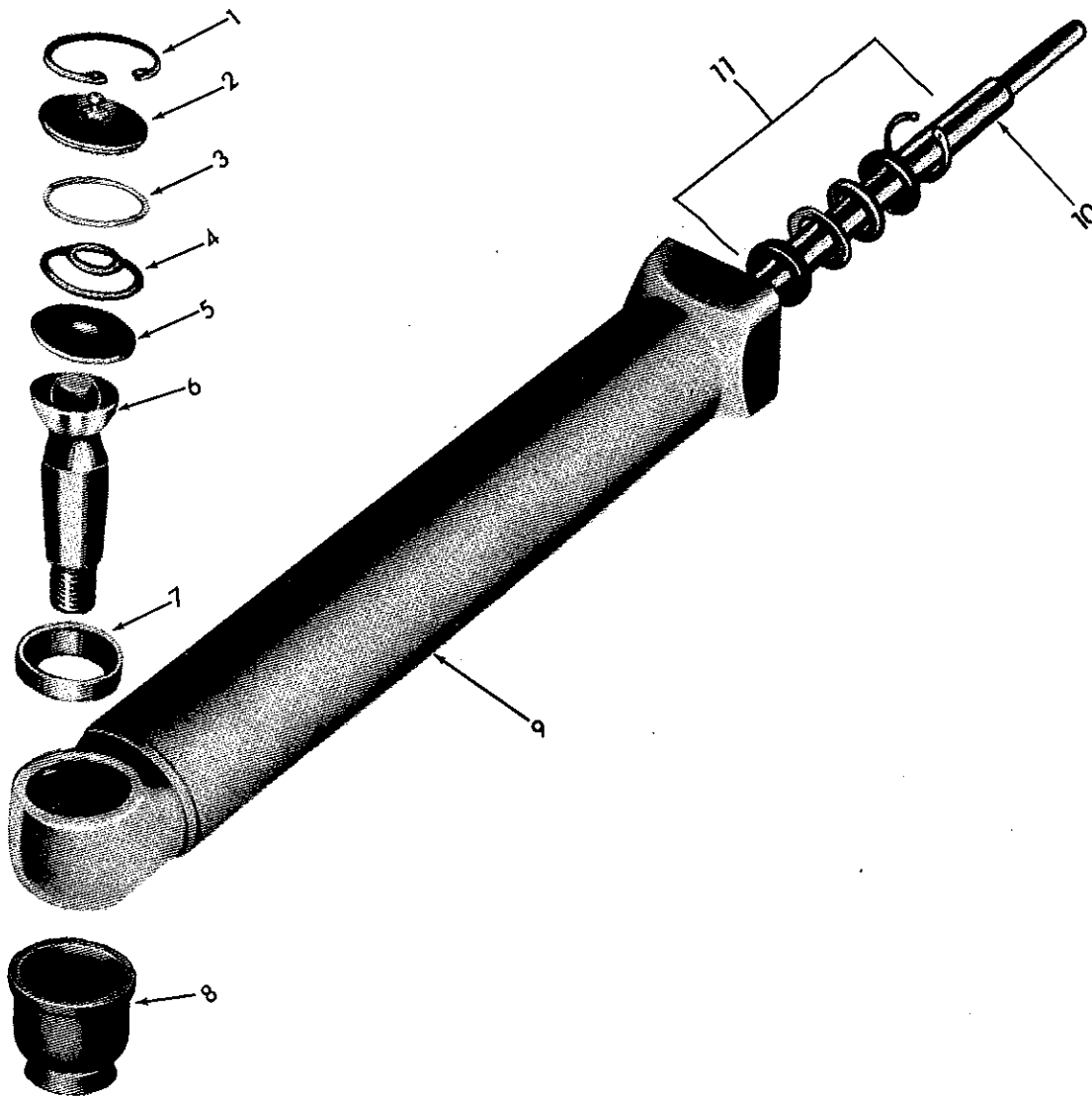
1965-74 CORVETTE POWER STEERING PUMP



6-159

1964-75 POWER STEERING CONTROL VALVE AND ADAPTER

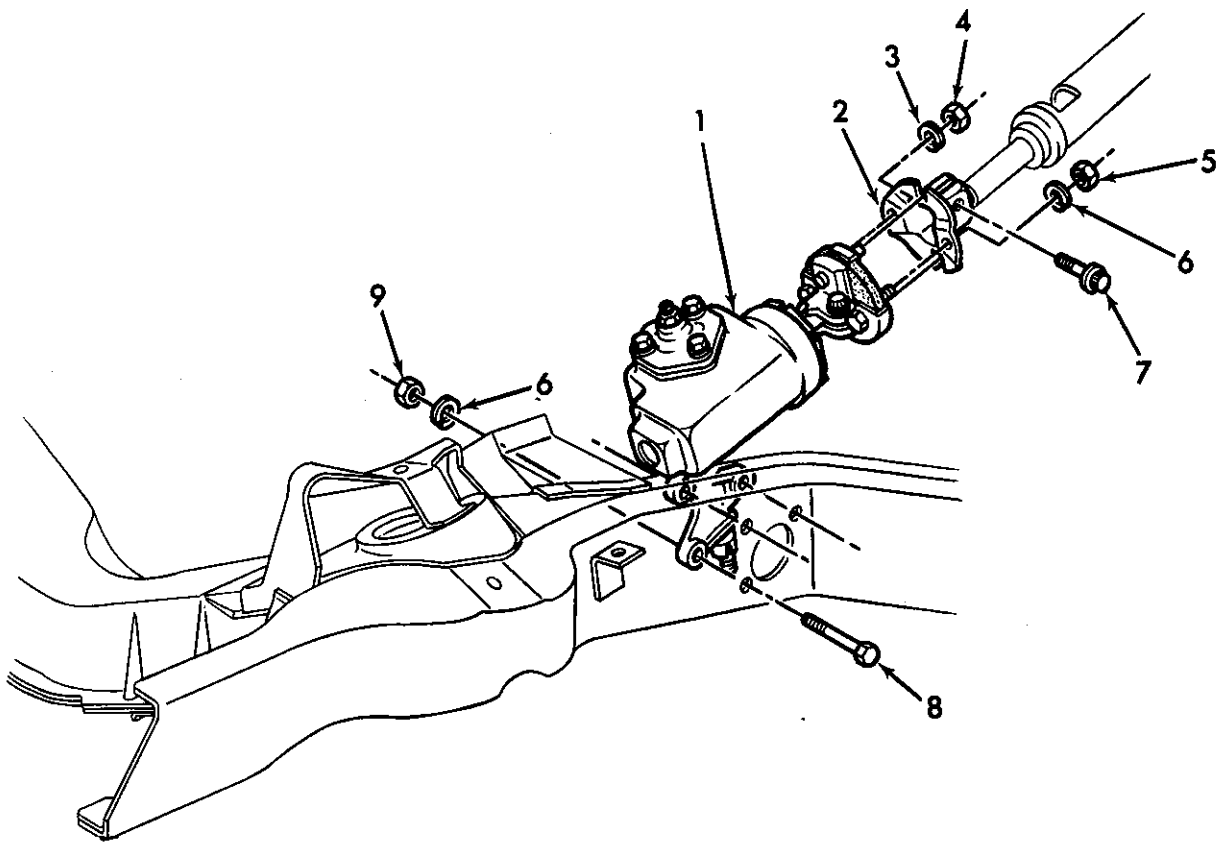
- | | |
|---|---|
| 1. 6.554 DUST COVER | 16. 6.554 GASKET |
| 2. 6.551 NUT | 17. 6.554 WASHER |
| 3. N.S.S. PART of 6.507 Seal Kit | 18. N.S.S. "O" RING, Part of 6.507 Kit |
| 4. N.S.S. PART of 6.507 Valve Assy. | 19. 6.560 KEY |
| 5. 8.900 BOLT | 20. 6.560 PLUG |
| 6. 8.931 L/WASHER | 21. N.S.S. VALVE SHAFT, Part of 6.551 Kit |
| 7. N.S.S. PART of 6.507 Valve Assy. | 22. 6.560 SPRING, Ball Seat |
| 8. 6.552 SPRING, Valve Adjustment | 23. 6.560 SEAT |
| 9. 6.552 SEAL, "O" Ring | 24. 6.560 SEAT |
| 10. N.S.S. VALVE, Reaction Spool, Part of 6.551 Kit | 25. 6.560 SLEEVE |
| 11. 6.552 SPRING, Thrust Washer | 26. 6.550 ADAPTER ASSY. |
| 12. 6.552 VALVE, Spring | 27. 8.984 FITTING |
| 13. 6.552 SPRING, Retainer | 28. N.S.S. STUD, Ball, Part of 6.551 Kit |
| 14. N.S.S. ANNULUS SEAL, Part of 6.507 Kit | 29. N.S.S. SEAL, Ball Stud, Part of 6.551 Kit |
| 15. 6.554 SPACER | 30. N.S.S. CLAMP, Part of 6.551 Kit |



6-160

1965-75 POWER STEERING CYLINDER

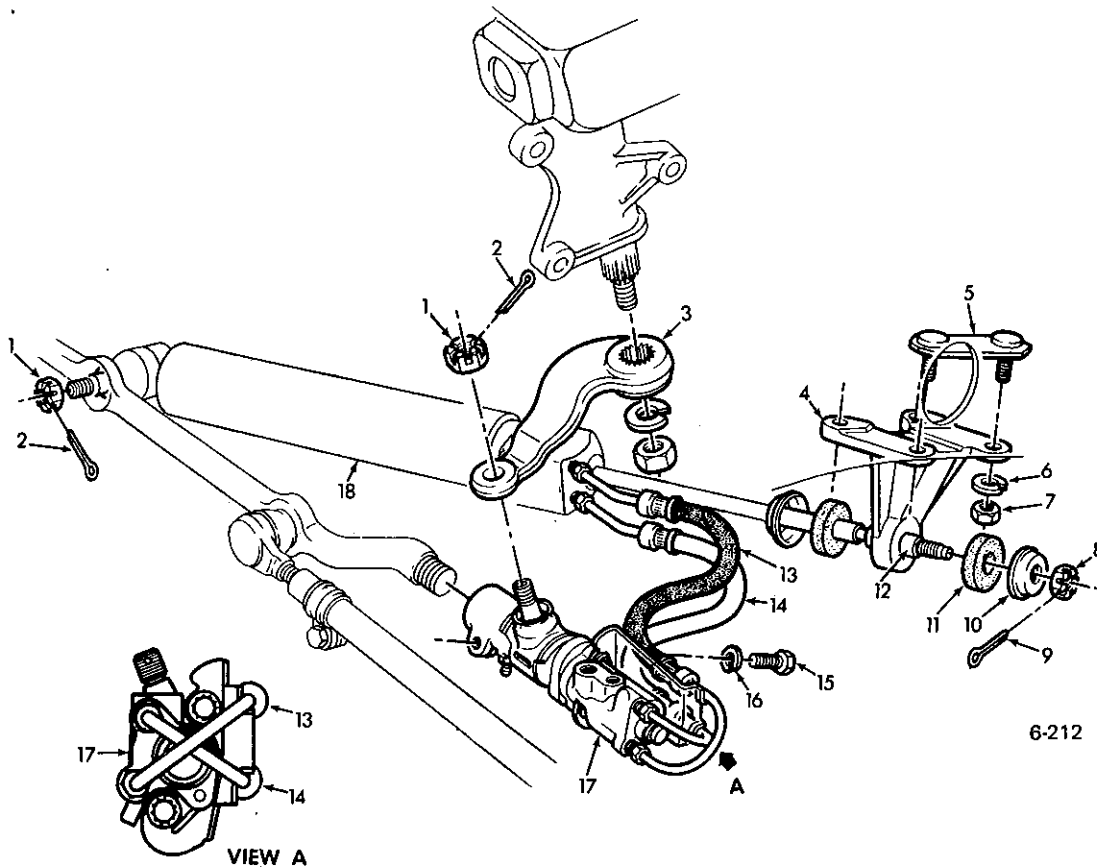
- | | |
|-----------------------|---|
| 1. 6.581 RING | 7. 6.581 SEAT, Ball Stud Spring |
| 2. 6.581 PLUG | 8. 6.584 SEAL |
| 3. 6.581 "O" RING | 9. 6.576 CYLINDER ASSY. |
| 4. 6.581 SPRING | 10. N.S.S. PART of 6.576 Cylinder Assy. |
| 5. 6.581 SEAT, Spring | 11. N.S.S. PART of 6.507 Kit |
| 6. 6.581 STUD | |



6-212

1975 CORVETTE STEERING GEAR TO COLUMN

- | | |
|--|-------------------------------|
| 1. 6.508 STRG. GEAR ASSY. | 6. 8.931 WASHER, lock 3/8 |
| 2. 6.525 FLANGE, strg. gear shaft upr. | 7. 6.525 BOLT, 3/8-24 |
| 3. 8.931 WASHER, lock 5/16 | 8. 6.509 BOLT, 3/8-24 x 4-1/2 |
| 4. 8.915 NUT, hx. 5/16-24 | 9. 7.347 NUT, hx. 3/8-24 |
| 5. 8.915 NUT, hx. 3/8-24 | |

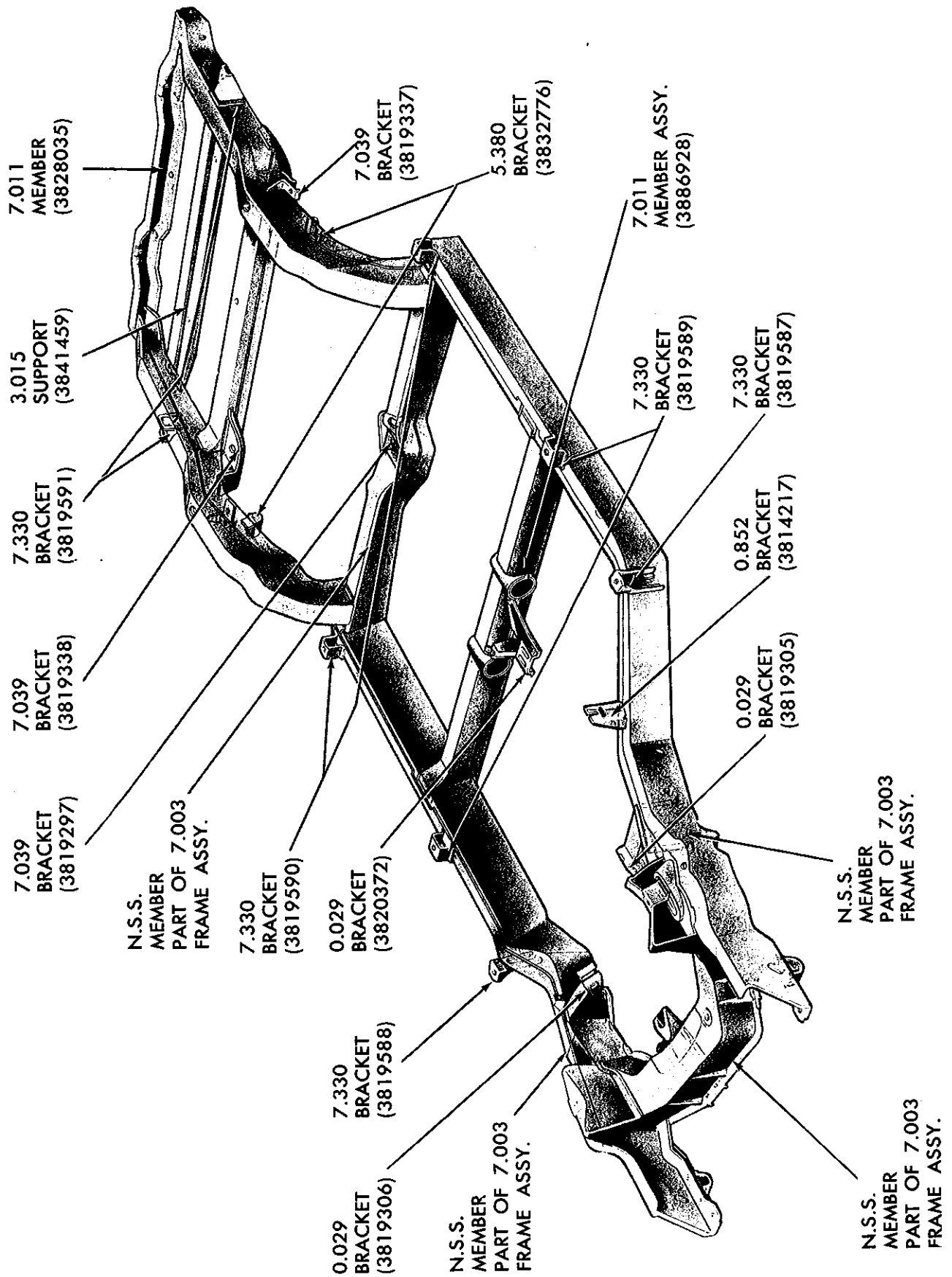


1975 CORVETTE POWER STEERING CYLINDER

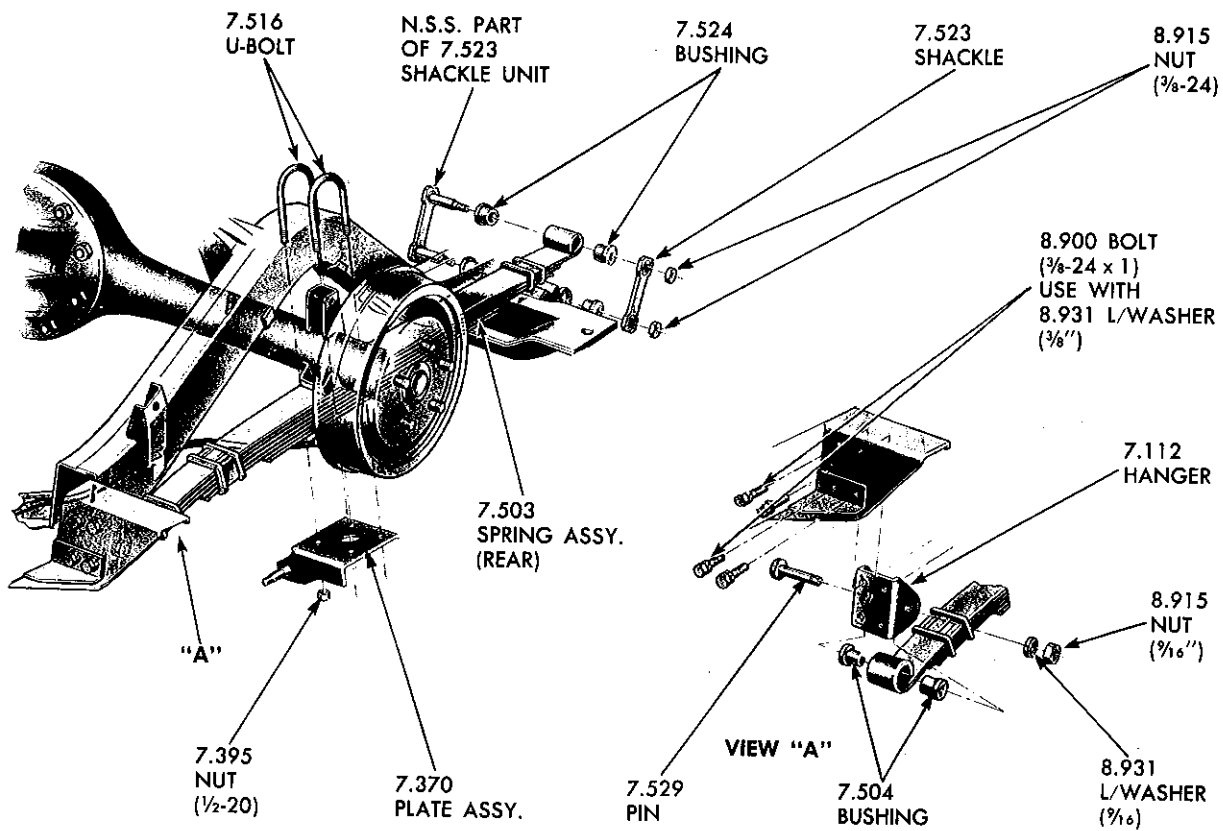
- | | |
|---|--|
| 1. 8.917 NUT (1/2-20) | 10. 6.581 WASHER, special |
| 2. 8.938 COTTER PIN (1/8 x 1) | 11. 6.581 GROMMET, hyd. strg. cyl. to frm. brkt. |
| 3. 6.859 ARM, pitman | 12. 6.581 SPACER, hyd. strg. cyl. to frm. brkt. |
| 4. 6.575 BRACKET, hyd. strg. cyl. frame | 13. 6.677 PIPE ASSY., retract |
| 5. 6.575 REINFORCEMENT ASSY., hyd. strg. cyl. frame brkt. | 14. 6.677 PIPE ASSY., extend |
| 6. 8.931 WASHER, lock | 15. 8.900 BOLT (3/8-16 x 1 3/8) |
| 7. 8.915 NUT (5/16-18) | 16. 8.931 WASHER, lock (3/8) |
| 8. 6.575 NUT, hx. (3/8-24) | 17. 6.550 VALVE & ADAPT. ASSY., hyd. strg. cont. |
| 9. 8.938 COTTER PIN (3/32 x 1) | 18. 6.576 CYLINDER ASSY., hyd. strg. |

GROUP 7.000
FRAME — SPRINGS
BUMPER



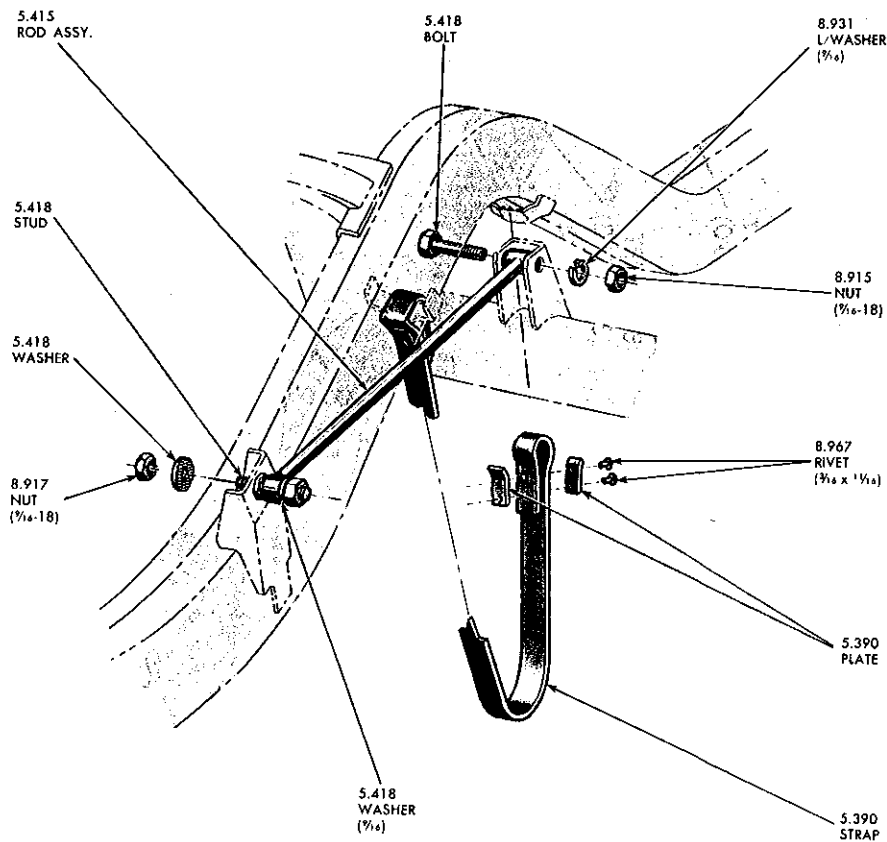


1963-67 CORVETTE FRAME



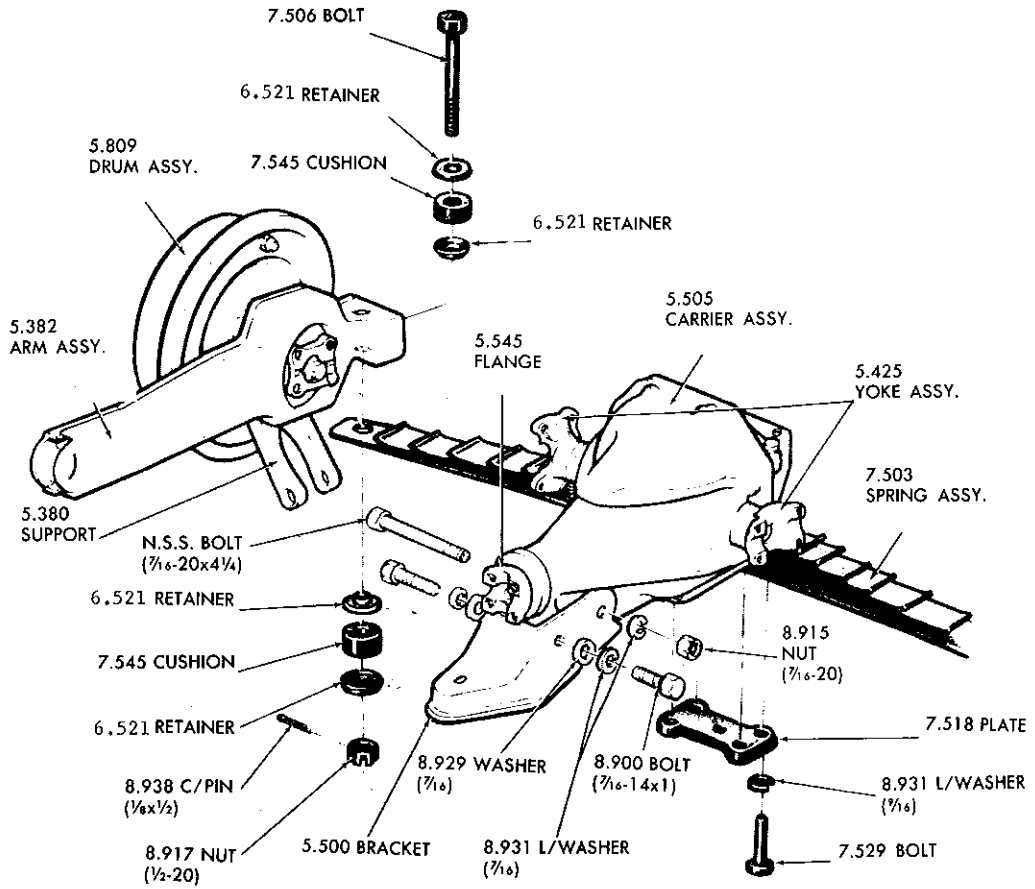
7-26

1961-62 CORVETTE REAR SPRING AND AXLE



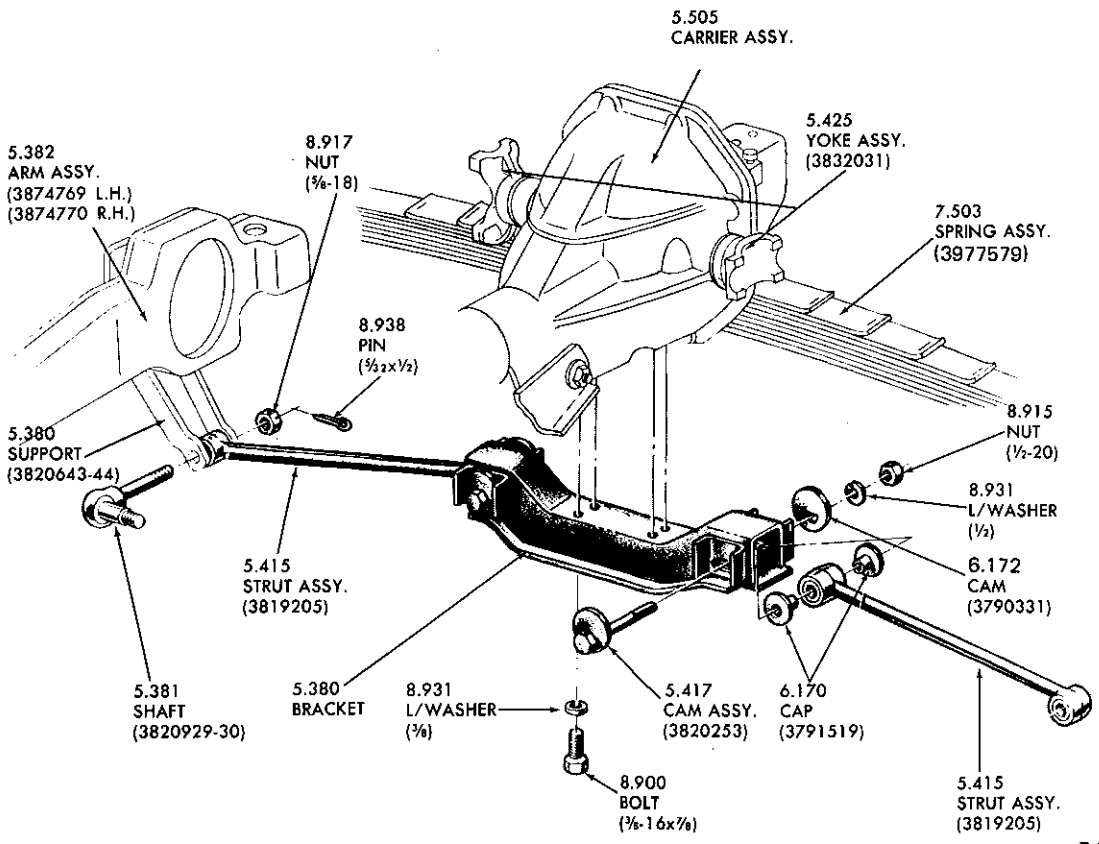
7-26A

1961-62 CORVETTE REAR AXLE REBOUND STRAP



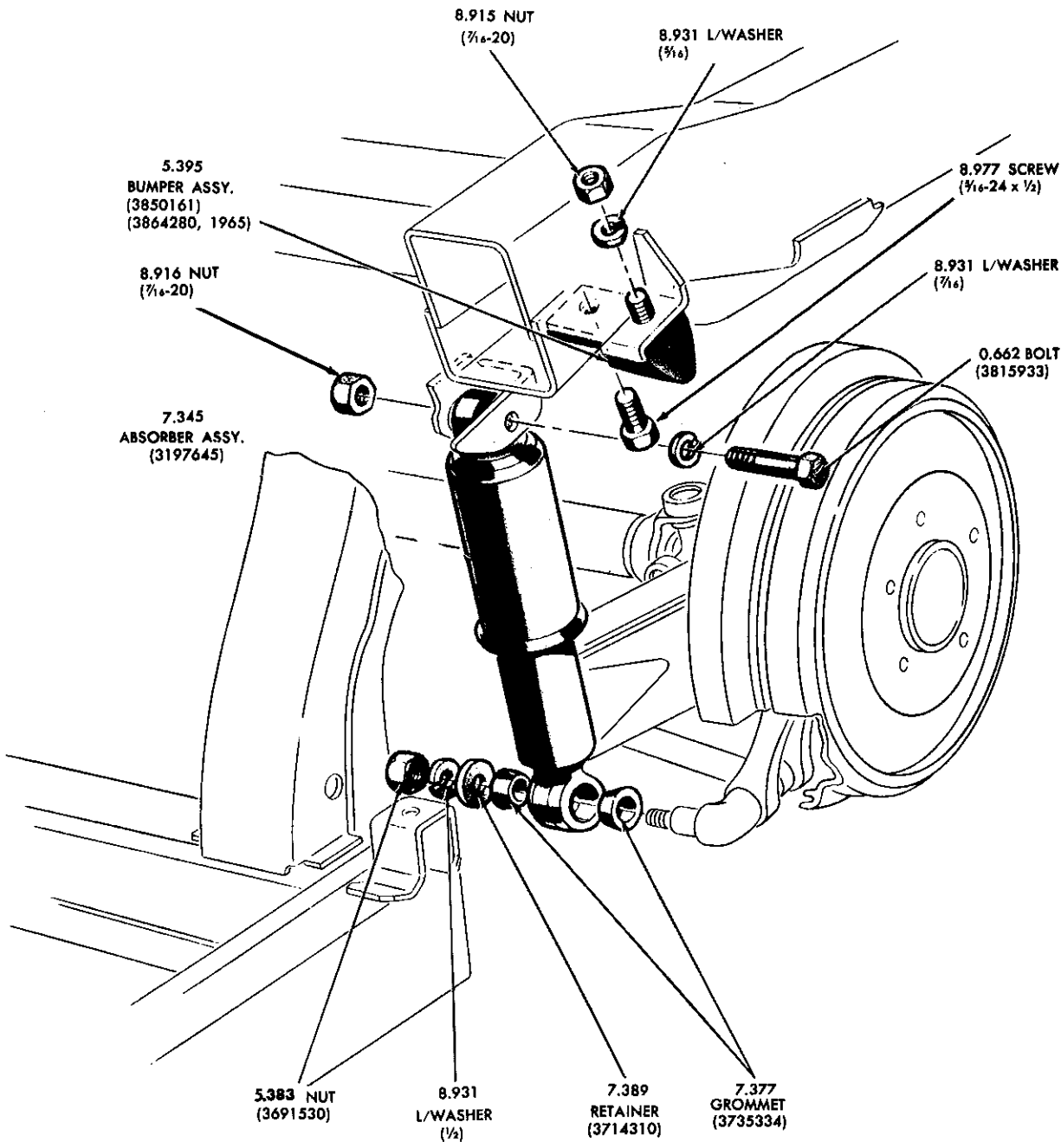
7-27

1963-75 CORVETTE REAR SPRING MOUNTING



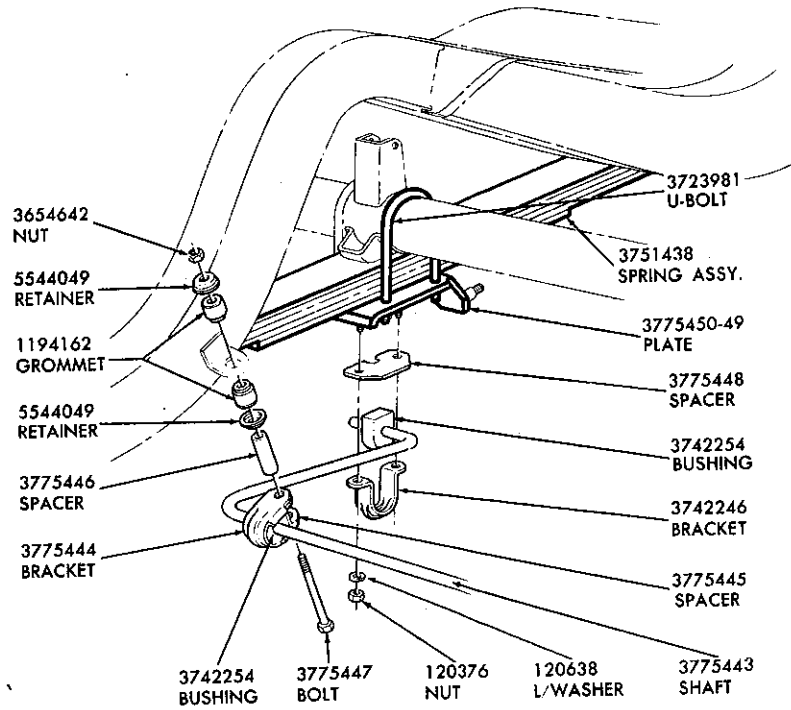
7-28

1963-74 CORVETTE REAR SUPPORT STRUTS



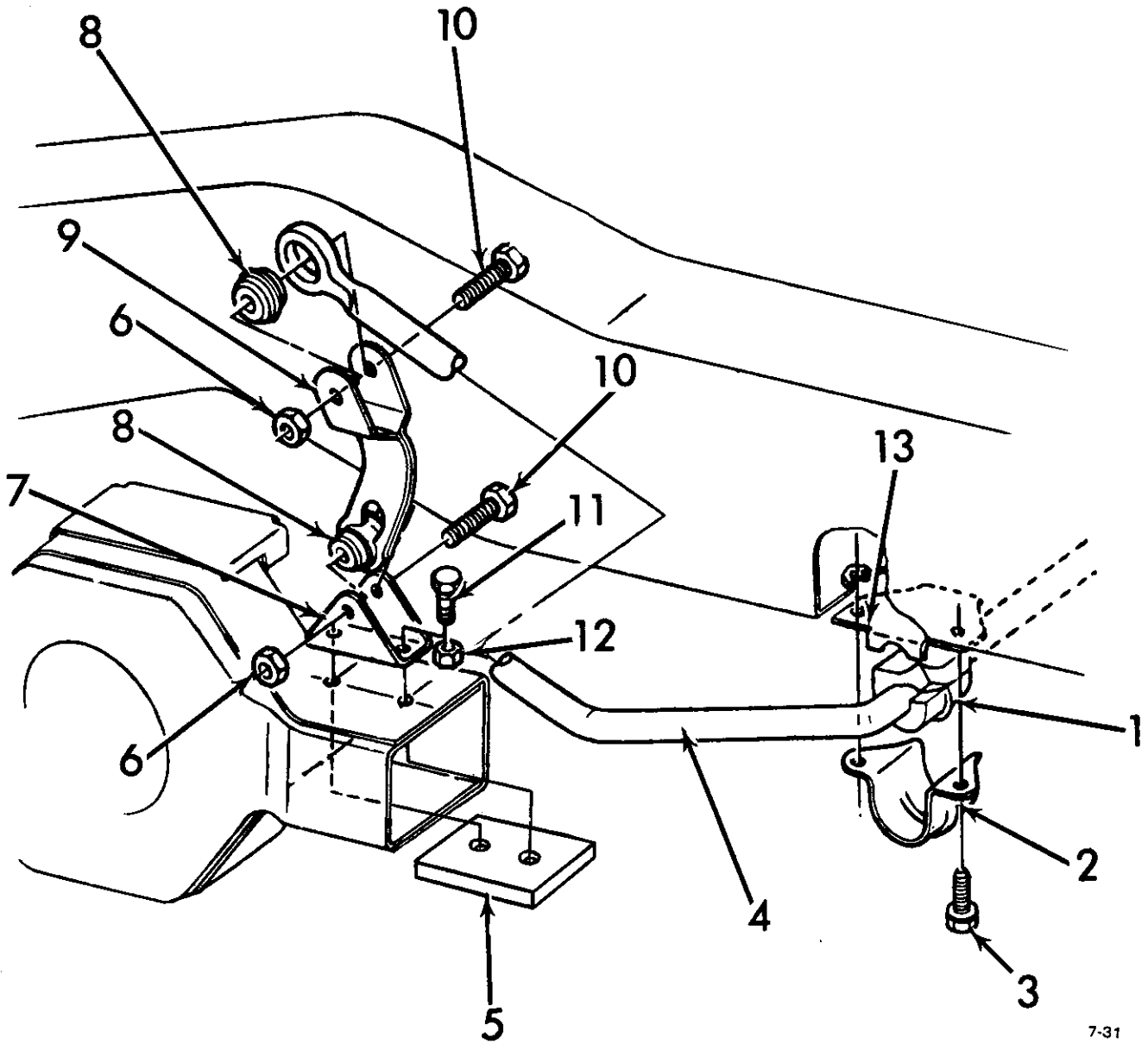
7-29

1963-75 CORVETTE REAR SHOCK ABSORBER



7-30

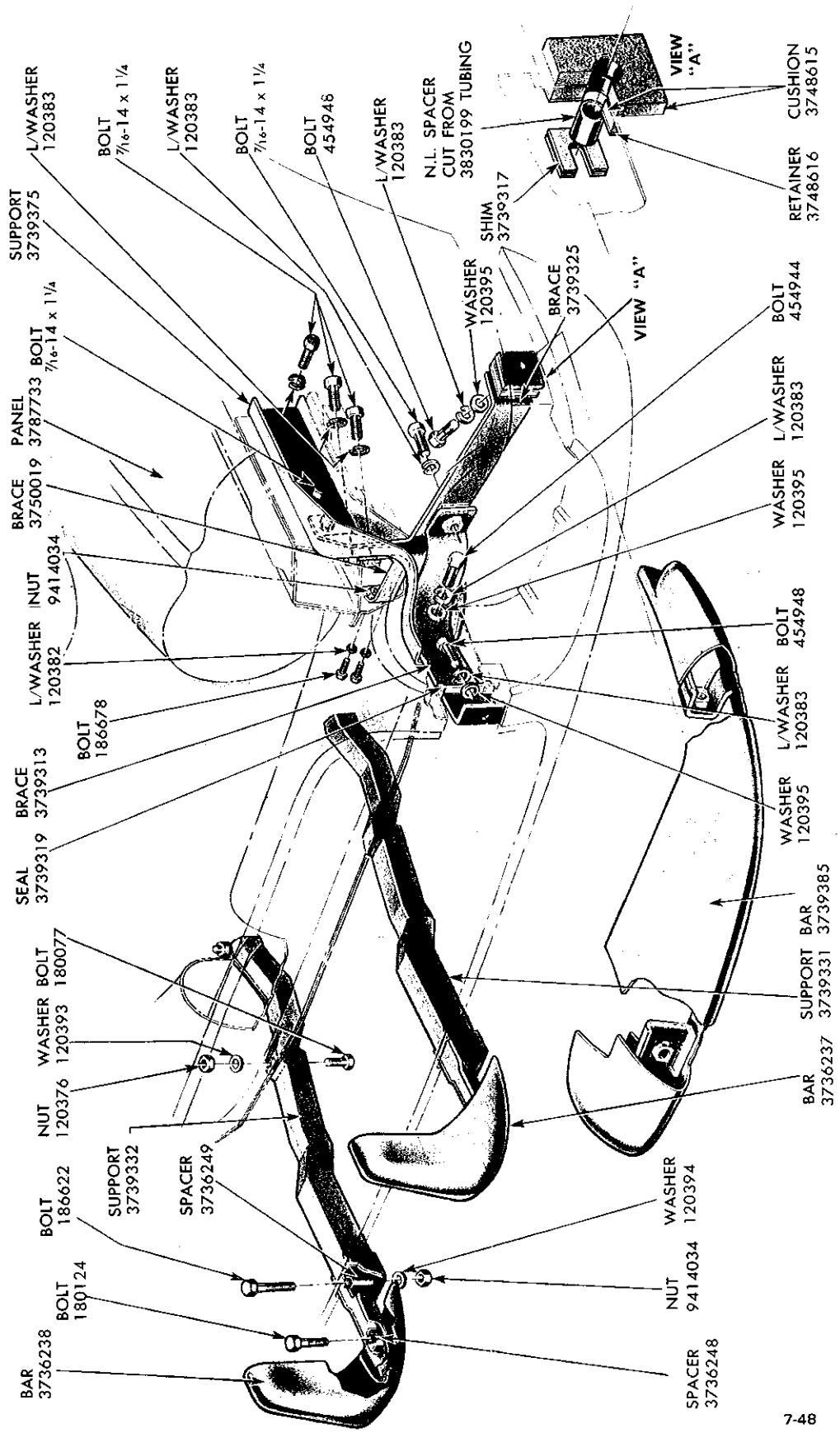
1961-62 CORVETTE REAR STABILIZER DETAILS



7-31

1965-74 CORVETTE REAR STABILIZER SHAFT

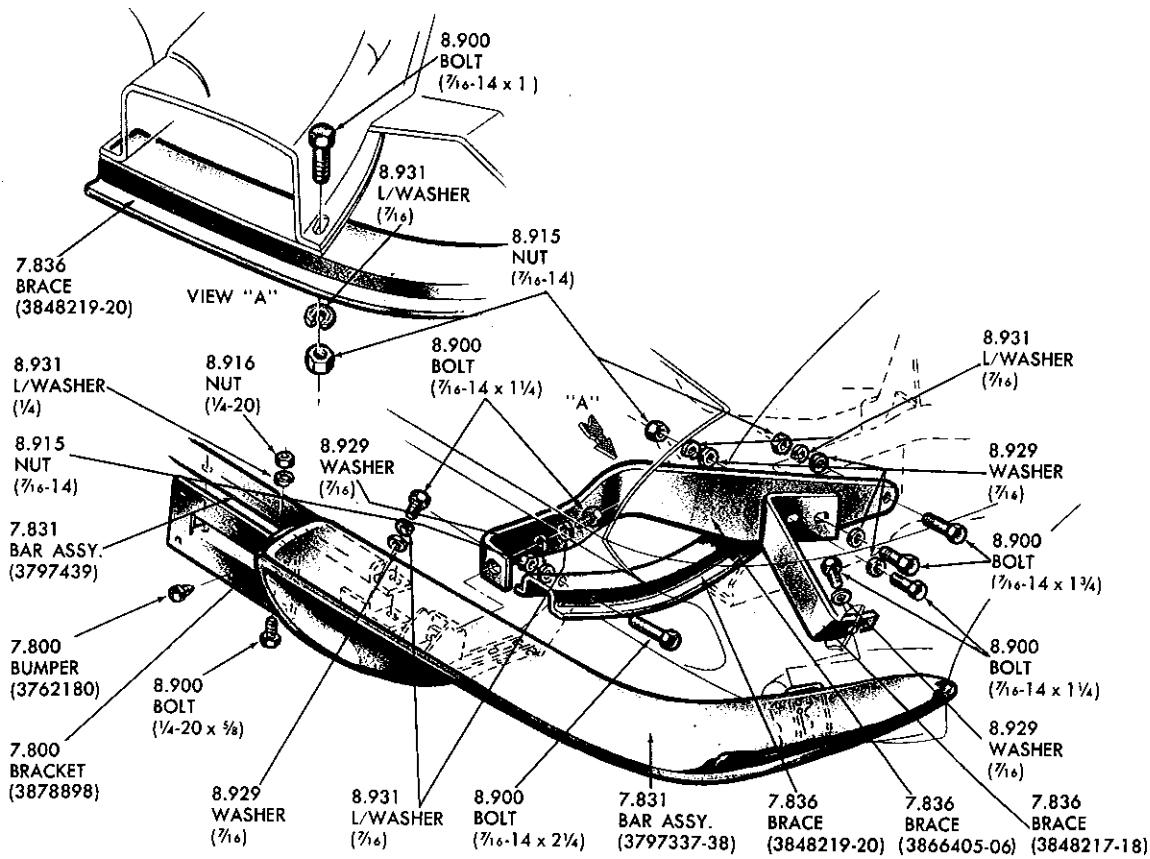
| | | | |
|--------------------------------------|---------|--|---------|
| 1. 7.243 BUSHING (1965-67) | 3742254 | 7. 7.242 BRACKET | 3871329 |
| 7.242 BUSHING (1968-72) | 3923675 | 8. 7.243 BUSHING | 3872955 |
| 2. 7.242 BRACKET (1965-67) | 3742246 | 9. 7.240 LINK UNIT | 3872452 |
| 7.242 BRACKET (1968-72) | 3913863 | 10. 8.900 BOLT (3/8-16 x 1-3/8) | |
| 3. 8.900 BOLT (5/16-18 x 7/8) | | 11. 8.900 BOLT (5/16-18 x 3/4) | |
| 4. 7.241 SHAFT | 3967713 | 12. 8.931 L/WASHER (5/16) | |
| 5. 7.245 PLATE | 3877979 | 13. 7.242 RETAINER (1965-67) | 3871325 |
| 6. 8.916 NUT (3/8-16) | | | |



- BAR 3736238
- BOLT 180124
- BOLT 186622
- NUT 120376
- WASHER BOLT 120393
- SUPPORT 3739332
- SPACER 3736249
- SEAL 3739319
- BRACE 3739313
- BOLT 186678
- L/WASHER INUT 120382
- BRACE PANEL 3750019
- BOLT 7/16-14 x 1 1/4
- SUPPORT 3739375
- L/WASHER 120383
- BOLT 7/16-14 x 1 1/4
- L/WASHER 120383
- BOLT 454946
- L/WASHER 120383
- N.L. SPACER CUT FROM 3830199 TUBING
- SHIM 3739317
- WASHER 120395
- BRACE 3739325
- VIEW "A"
- VIEW "A"
- RETAINER 3748616
- CUSHION 3748615
- WASHER 120395
- L/WASHER 120383
- BOLT 454944
- WASHER 120395
- L/WASHER 120383
- BOLT 454948
- WASHER 120395
- L/WASHER 120383
- BOLT 454948
- WASHER 120395
- L/WASHER 120383
- BAR 3736237
- SUPPORT BAR 3739331
- SPACER 3736248
- NUT 9414034
- WASHER 120394
- WASHER 120395
- SUPPORT BAR 3739385

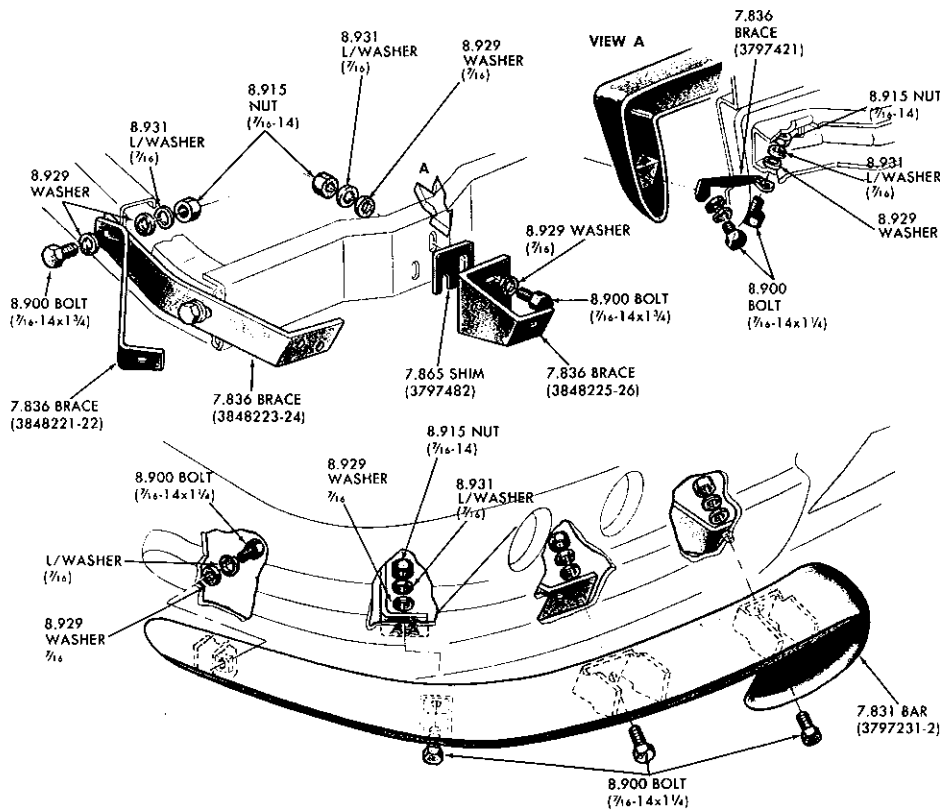
7-48

1958-62 CORVETTE FRONT BUMPER AND PARTS



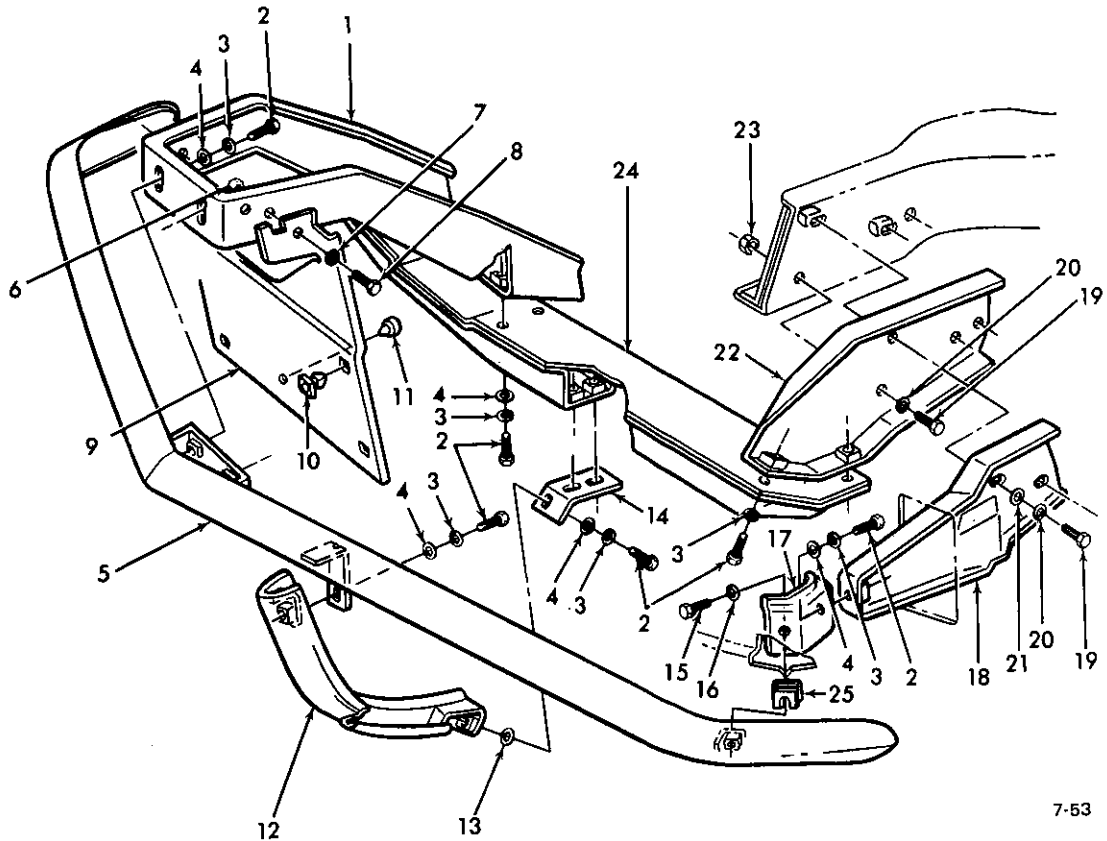
1963-65 CORVETTE FRONT BUMPER AND PARTS

7-51



1963-65 CORVETTE REAR BUMPER AND PARTS

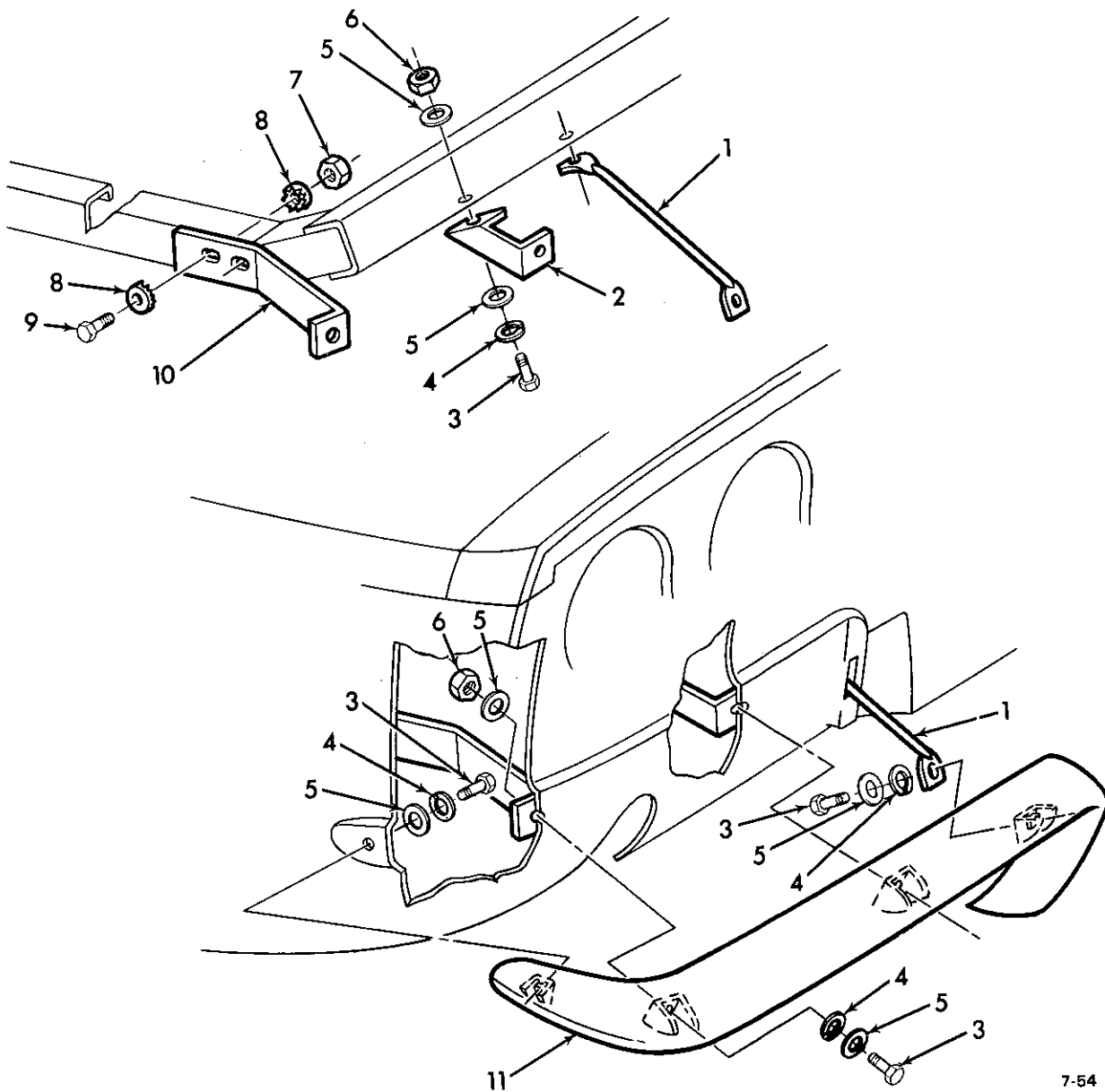
7-52



7-53

1968-72 CORVETTE FRONT BUMPER AND PARTS

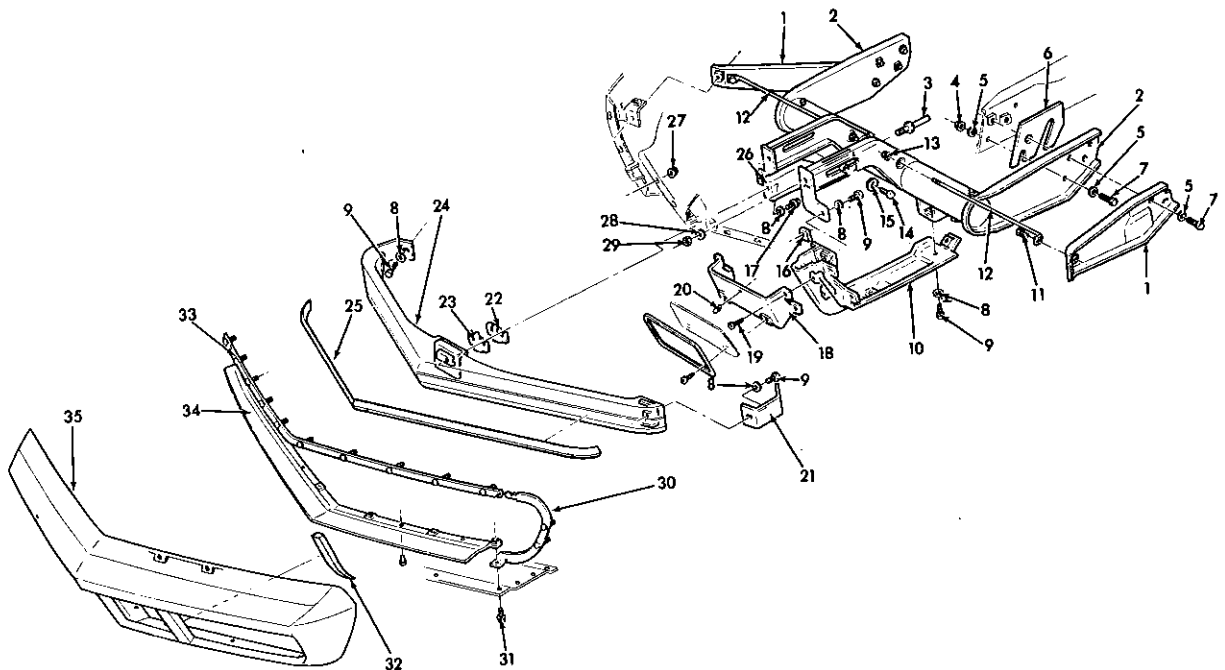
| | | | | | | | |
|-----|-------|-------------------------------|------------|-----|-------|------------------------------|------------|
| 1. | 7.836 | BRACE | 3980824 | 14. | 7.836 | EXTENSION | 3932845-46 |
| 2. | 8.900 | BOLT (7/16 x 14 x 1-1/4) | | 15. | 8.900 | BOLT (3/8-16 x 2) | |
| 3. | 8.931 | L/WASHER (7/16) | | 16. | 8.931 | L/WASHER (3/8) | |
| 4. | 8.929 | WASHER (7/16) | | 17. | 7.869 | EXTENSION (1968-69) | 3922077-78 |
| 5. | 7.831 | BAR | 3974008 | | 7.836 | EXTENSION ASSY. OUTER (1970) | 3964159 |
| 6. | 8.915 | NUT (1/4-20) | | 18. | 7.836 | BRACE (1968) | 3914257-58 |
| 7. | 8.931 | L/WASHER (5/8) | | | 7.836 | BRACE (1969) | 3958795-96 |
| 8. | 8.900 | BOLT (1/4-20 x 5/8) | | | 7.836 | BRACE (1970-72) | 3964157-58 |
| 9. | 7.800 | BRACKET | 3919711 | 19. | 8.900 | BOLT (1/2-13 x 1-1/2) | |
| 10. | 7.800 | NUT | 3783004 | 20. | 8.931 | L/WASHER (1/2) | |
| 11. | 7.800 | BUMPER | 3755922 | 21. | 8.929 | WASHER (1/2) | |
| 12. | 7.828 | GUARD (1968-69) | 3932847-48 | 22. | 7.869 | EXTENSION | 3958797-98 |
| | 7.828 | GUARD (1970-72) | 3963127-28 | 23. | 8.915 | NUT (1/2-13) | |
| 13. | 8.929 | WASHER (29/64 x 49/64 x 9/64) | | 24. | 7.836 | MEMBER | 3954506 |
| | | | | 25. | 7.865 | SHIM | |



7-54

1968-73 CORVETTE REAR BUMPER AND PARTS

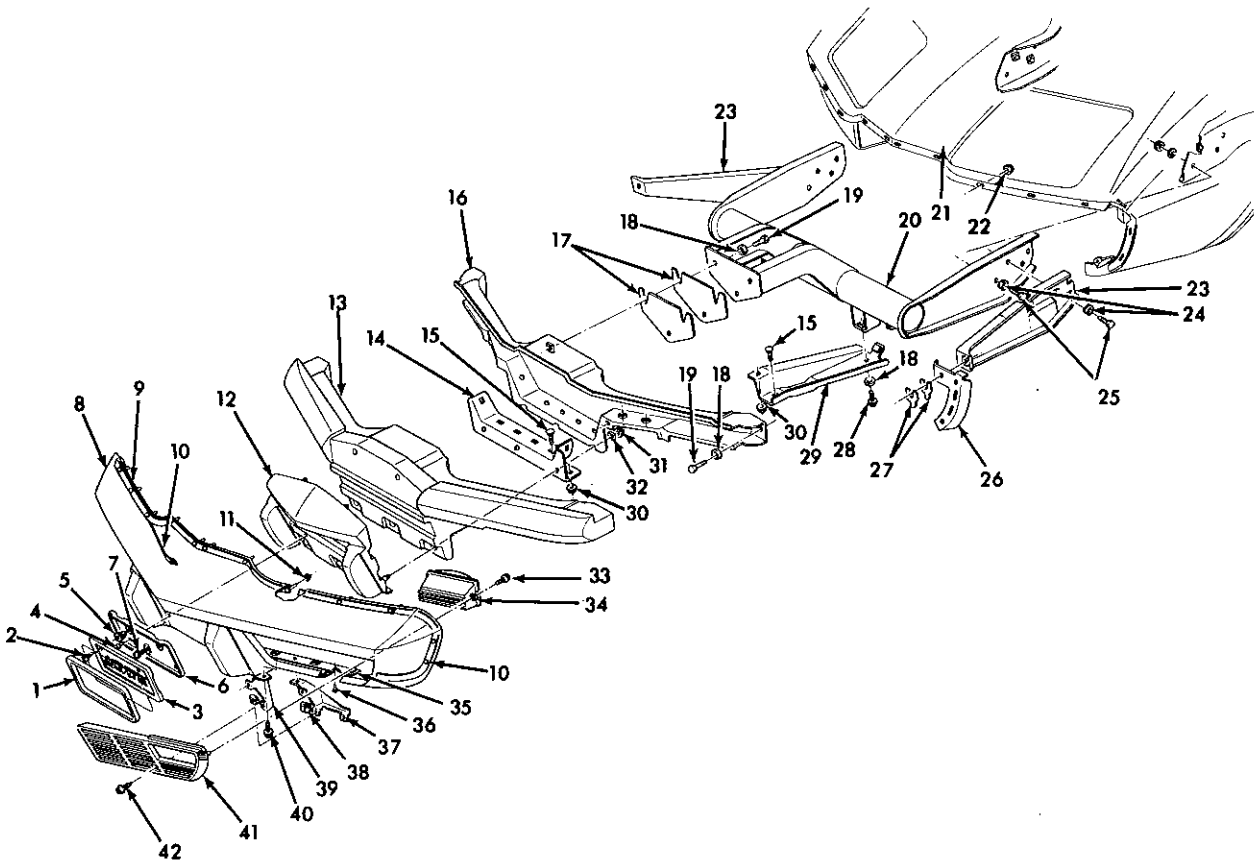
| | | | |
|----------------------------------|------------|--------------------------------|------------|
| 1. 7.836 ROD (1968-71) | 3935689 | 6. 8.915 NUT (7/16-14) | |
| 2. 7.836 BRACE | 3937055-57 | 7. 8.915 NUT (1/2-13) | |
| 3. 8.900 BOLT (7/16-14 x 1-1/4) | | 8. 7.865 WASHER | 1362249 |
| 4. 8.931 L/WASHER (7/16) | | 9. 8.900 BOLT (1/2-13 x 1-1/2) | |
| 5. 8.929 WASHER (7/16) | | 10. 7.836 BRACE | 3932943-44 |
| | | 11. 7.831 BUMPER ASSY. | 3922069-70 |



7-230

1974 CORVETTE FRONT BUMPER

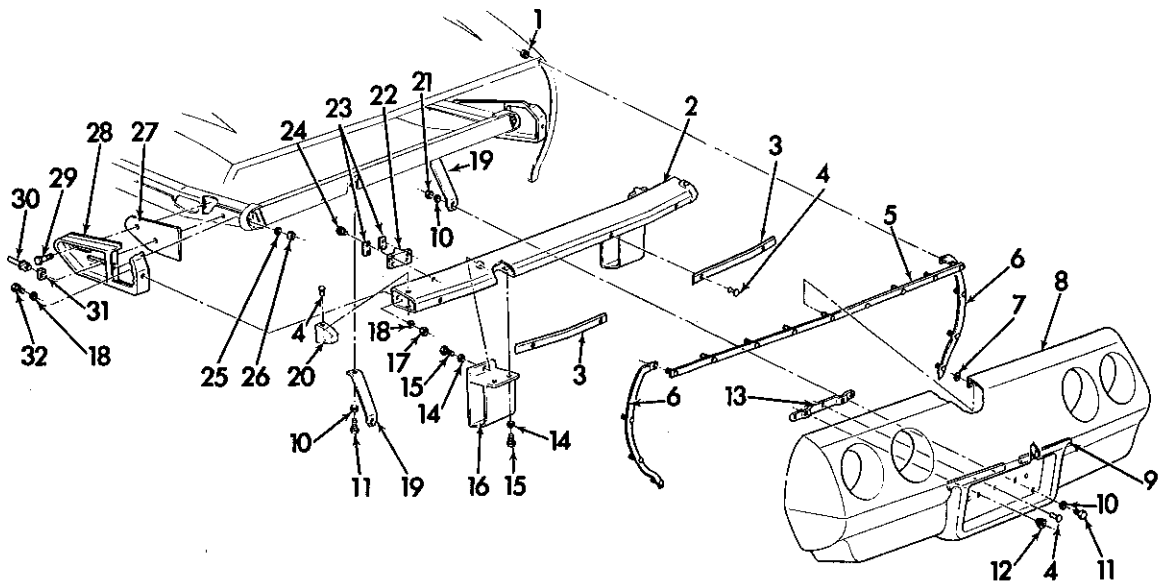
| | | | | | | | |
|-----|-------|---|-----------|-----|-------|--|-----------|
| 1. | 7.836 | BRACE ASSY., frt. bpr. otr. | 327663-64 | 20. | 7.800 | BUMPER, lic. plate | 542846 |
| 2. | 7.836 | EXTENSION ASSY. | 342234 | 21. | 7.836 | EXTENSION, frt. bpr. otr. br. | 327661 |
| 3. | 7.840 | BOLT UNIT, energy abs. | 339118 | 22. | 7.865 | SHIM, energy abs. frt. bar (thin) | 327659 |
| 4. | 8.915 | NUT (1/2-13) | | 23. | 7.865 | SHIM (thick) | |
| 5. | 7.865 | WASHER, frt. and rear | 1362249 | 24. | 7.831 | BUMPER ASSY., frt. | 327625 |
| 6. | 7.833 | SHIM, energy abs. frt. bar | 331863 | 25. | 7.833 | FILLER, frt. bpr. face bar | 331872 |
| 7. | 8.900 | BOLT | | 26. | 7.836 | BRACKET, frt. bpr. inter to face bar | 327644 |
| 8. | 7.865 | WASHER | 1347774 | 27. | 8.915 | NUT | |
| 9. | 8.900 | BOLT (7/16-14 x 1) | | 28. | 8.929 | WASHER | |
| 10. | 7.828 | REINFORCEMENT ASSY., frt. bpr. guard | 331829-30 | 29. | 8.915 | NUT | |
| 11. | 8.900 | BOLT (5/16-18 x 7/8) | | 30. | 7.865 | RETAINER, frt. bpr. face bar otr. cvr. | 331843-44 |
| 12. | 7.865 | ROD, energy abs. frt. bar ext. br. | 342235 | 31. | 8.900 | BOLT | |
| 13. | 8.916 | NUT (3/8-16) | | 32. | 7.831 | FILLER, frt. bpr. guard reinf. | 334751-52 |
| 14. | 8.977 | BOLT (5/16-18 x 7/8) | | 33. | 8.155 | RETAINER, frt. bpr. face bar cvr. upper | 331839 |
| 15. | 8.929 | WASHER (3/8) | | 34. | 8.155 | RETAINER, frt. bpr. face bar cvr. lower | 331840 |
| 16. | 8.921 | U-NUT (#10-16) | | 35. | 7.833 | COVER, frt. bpr. face bar | 6263597 |
| 17. | 8.900 | BOLT (7/16-14 x 1-1/4) | | | | | |
| 18. | 7.800 | BRACKET, frt. lic. plate | 327643 | | | | |
| 19. | 8.977 | SCREW (#10-16 x 3/4) | | | | | |



7-260

1975 CORVETTE FRONT BUMPER

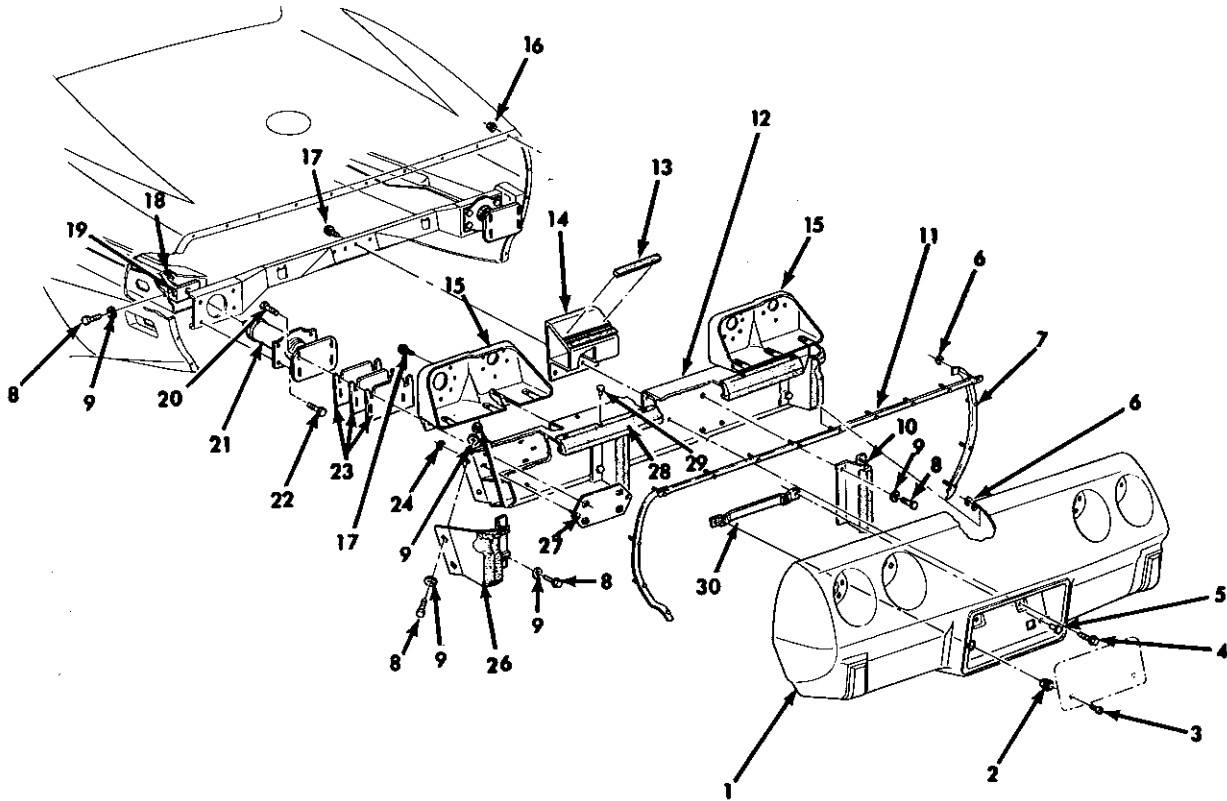
| | | | | | | | |
|-----|-------|---|-----------|-----|-------|-------------------------------------|-----------|
| 1. | 7.800 | FRAME, lic. carrier | 3797485 | 22. | 8.915 | NUT ASSY. | |
| 2. | 8.977 | SCREW | | 23. | 7.836 | BRACE ASSY., frt. bpr. ext. | 347891-92 |
| 3. | N.S. | EMBLEM | | 24. | 7.865 | L. WASHER, 1/2 x 1-1/4 x 1/8 | 1362249 |
| 4. | 8.967 | RIVET | 9432477 | 25. | 8.900 | BOLT | |
| 5. | 7.833 | NUT, 3/8-16 x 1 | 3907444 | 26. | 8.155 | REINFORCEMENT, frt. fdr. lwr. | |
| 6. | 7.800 | BRACKET, frt. lic. plate | 347929 | | | frt. upr. | 347895-96 |
| 7. | 7.800 | PLUG, frt. lic. plt. | 2307572 | 27. | 7.833 | SHIM | |
| 8. | 7.833 | COVER, frt. bmp. face bar | 345495 | 28. | 8.900 | BOLT | |
| 9. | 8.155 | RETAINER ASSY., frt. bpr. cvr. | 347919 | 29. | 7.828 | REINFORCEMENT, frt. bar guard | 347927-28 |
| 10. | 7.865 | RETAINER ASSY., frt. bpr. cvr. otr. | 331843-44 | 30. | 8.917 | NUT, 3/8-16 | |
| 11. | 8.921 | NUT, spring | | 31. | 8.917 | NUT, hx. lk. 3/8-16 | |
| 12. | 7.831 | REINFORCEMENT ASSY., frt. bpr. impact bar | 347930 | 32. | 7.865 | SPL. WASHER | 347932 |
| | | CUSHION, frt. bpr. energy abs. | 347908 | 33. | 8.977 | SCREW, hx. #10-24 x 5/8 | 9420680 |
| 13. | | | | 34. | 2.585 | LAMP ASSY., park | 912309-10 |
| 14. | 7.840 | EXTENSION, frt. energy bar | 347931 | 35. | 7.840 | RETAINER ASSY., frt. bpr. cov. lwr. | 355325 |
| 15. | 8.112 | BOLT, 3/8-16 x 1 | 9433482 | 36. | 8.967 | RIVET | |
| 16. | 7.831 | BAR ASSY., frt. energy abs. | 347898 | 37. | 1.267 | BRACKET, rad. grl. otr. | 345485-86 |
| 17. | 7.833 | SHIM | | 38. | 8.921 | U-NUT, #10-16 | |
| 18. | 7.865 | L. WASHER, 1/2 x 1-1/4 x 1/8 | 1347774 | 39. | 1.267 | BRACKET, rad. grl. intr. | 347917-18 |
| 19. | 8.900 | BOLT, hx. 7/16-14 x 1-1/4 | | 40. | 8.900 | SCREW, hx. 1/4-20 x 13/16 | |
| 20. | 7.836 | EXTENSION ASSY., frt. bpr. | 345471 | 41. | 1.266 | GRILLE, radiator otr. | 345487-88 |
| 21. | 8.130 | PANEL ASSY., frt. fdr. upr. | 345496 | 42. | 8.977 | SCREW, #10-16 x 3/4 | |



7-228

1974 CORVETTE REAR BUMPER

- | | | | |
|-----|--------|---|-----------|
| 1. | 8.915 | NUT (#10-24) | |
| 2. | N.S.S. | BAR ASSY., part of 338386 | |
| 3. | N.S.S. | FILLER, part of assy., 338386 | |
| 4. | 8.967 | RIVET | |
| 5. | | | |
| 6. | 7.840 | RETAINER ASSY., rr. bmpr. impact bar cvr. | 339123-24 |
| 7. | 8.929 | WASHER | |
| 8. | 7.831 | COVER ASSY., rr. bumper impact ... | 339195 |
| 9. | 7.831 | FILLER, impact bar inner | 342263-64 |
| 10. | 8.929 | WASHER (1/4) | |
| 11. | 8.900 | BOLT | |
| 12. | 7.800 | NUT, rr. lic. plate | 3877254 |
| 13. | N.S.S. | BRACKET, Part of Assy. | 339195 |
| 14. | 8.929 | WASHER (11/32 x 11/16 x 5/64) | |
| 15. | 8.900 | BOLT (5/16-18 x 1) | |
| 16. | 7.836 | REINF., rr. bmpr. impact bar | 339125 |
| 17. | 8.915 | NUT (1/2-13) | |
| 18. | 8.929 | WASHER (1/2) | |
| 19. | 7.836A | BRACE | 342233 |
| 20. | N.S.S. | CAP, rr. bmpr. impact bar end, part of assy. 338386 | |
| 21. | 8.915 | NUT | |
| 22. | 7.865 | BUMPER, rr. bmpr. impact bar | 336196 |
| 23. | 7.831 | PLATE, rr. bmpr. impact bar bpr. | 342266 |
| 24. | 8.977 | SCREW (1/4-20 x 7/8) | |
| 25. | 8.900 | BOLT | |
| 26. | 8.929 | WASHER | |
| 27. | 7.840 | INSULATOR, rr. bmpr. impact bar brkt. | 339169 |
| 28. | 7.869 | BRACKET, rr. bmpr. impact bar | 342239-40 |
| 29. | 7.840 | BOLT, rr. bmpr. impact bar brkt. | 339141 |
| 30. | 7.840 | BOLT UNIT, energy abs. frt. and rr. .. | 339118 |
| 31. | 7.840 | SPACER, rr. bmpr. impact bracket ... | 339120 |
| 32. | 8.900 | BOLT (1/2-13 x 1-1/2) | |



7-253

1975 CORVETTE REAR BUMPER

| | | | | | | | |
|-----|--------|---|------------|-----|--------|---|--------|
| 1. | 7.831 | COVER ASSY., rr. bumper impact | 347897 | 16. | 8.915 | NUT & WASHER ASSY. (#10-24) | |
| 2. | 7.800 | NUT (1/4-14) | | 17. | 8.977 | SCREW | |
| 3. | N.S. | SCREW | 3875313 | 18. | 8.915 | NUT (5/16-18) | |
| 4. | 8.977 | SCREW | | 19. | 7.840 | BRACKET ASSY. | 492976 |
| 5. | 8.967 | RIVET | | 20. | 8.900 | BOLT | |
| 6. | 7.840 | NUT, rr. bumper retainer | 273365 | 21. | 7.840 | ASSY., rr. bpr. | |
| 7. | 7.840 | RETAINER ASSY., outer rr. bmpr. impact bar cvr. | 339123-24 | 22. | 7.009 | BOLT (7/16 x 1-1/4) | 493001 |
| 8. | 8.900 | BOLT (5/16-18 x 1) | | 23. | 7.865 | SHIMS, rr. impact bar | 347924 |
| 9. | 8.929 | WASHER (11/32 x 11/16) | 120393 | 24. | 8.921 | NUT (5/32) | |
| 10. | 7.869 | REINFORCEMENT | 345500 | 25. | 8.915 | NUT (5/16-18) | |
| 11. | 7.840 | RETAINER ASSY., rr. bmpr. impact bar cvr. | 342289-90 | 26. | 7.869 | BRACKET ASSY., rr. bmpr. bar | |
| 12. | 7.840 | BAR ASSY., rr. bmpr. impact | 352703 | 27. | 7.865 | RETAINER ASSY., rr. bumper impact bar | 347916 |
| 13. | N.S.S. | CUSHION | | 28. | N.S.S. | FILLER (Part of #12) | |
| 14. | N.S.S. | SUPPORT | | 29. | 8.967 | RIVET | |
| 15. | 2.680 | PANEL, tail lamp mounting | 347899-900 | 30. | 7.800 | BRACKET, rr. license | 339142 |

SPRING CHART SECTION

1972 CORVETTE

NOTE: In order to utilize the 1972 Spring Chart begin with the base sprung weight. Select all options and their weight and add or subtract accordingly to the base weight. Once accumulated weight has been determined refer to the part number chart and select correct spring.

| BASE AND RPO FRONT SPRINGS | COMBINATION | POUNDS | MODELS 19437 SPRUNG WEIGHT | 19487 SPRUNG WEIGHT |
|----------------------------|--------------------|--------|----------------------------|---------------------|
| Base | (Only) | 0 | 677.5 | 662.5 |
| A-31 | (Only) | 2.5 | | |
| A-85 | (Only) | .5 | | |
| CO-7 | (Only) | 4.0 | | |
| CO-8 | (Only) | .5 | | |
| C-60 | w/LS-5 (Only) | 35.0 | | |
| C-60 | w/M-40 (exc. LS-5) | 33.0 | | |
| C-60 | (exc. M-40, LS-5) | 39.0 | | |
| F-41 | (Only) | 2.0 | | |
| J-50 | (Only) | 4.0 | | |
| J-56 | (Only) | 4.0 | | |
| LS-5 | (Only) | 99.5 | | |
| LT-1 | (Only) | 11.5 | | |
| M-22 | (Only) | 16.0 | | |
| M-40 | w/LS-5 (exc. C-60) | 18.0 | | |
| M-40 | (exc. LS-5, C-60) | 28.0 | | |
| NB-2 | (Only) | 7.5 | | |
| N-37 | (Only) | 1.0 | | |
| N-40 | w/LS-5 (Only) | 13.0 | | |
| N-40 | (exc. LS-5) (Only) | 12.0 | | |
| T-60 | (Only) | .5 | | |
| U-69 | (Only) | 3.0 | | |
| U-79 | (Only) | 1.0 | | |
| VO-1 | (Only) | 8.0 | | |

| ENGINE | SUSP. | SPRING NUMBER | SPRING WEIGHT |
|---------------------|--------------------|---------------|---------------|
| 350 | STD. | 331316 | 0 thru 702 |
| | | 3931824 | Over 702 |
| 454 | STD. | 331317 | 0 thru 777 |
| | | 3931826 | Over 777 |
| 350 w/Sp. H/Per. | F-41 (Perf. Susp.) | 3832518 | All |

Follow the three steps below to utilize the 1973 spring charts.

1. Select the model desired with the base spring weight on Chart "A".

2. Then select options accordingly shown on Chart "B" and add that weight to the base spring weight.

3. Once accumulated weight has been determined refer to chart "C" and select correct spring.

CHART "A"

1973 CORVETTE

| | MODEL | FRONT | REAR |
|-------|-------|-------|-------|
| YZ-37 | Coupe | 703.5 | 734.0 |
| YZ-67 | Conv. | 699.0 | 742.0 |

CHART "B"

1973 CORVETTE

| | RPO OPTIONS | FRONT | REAR |
|-------|--------------------|-------|------|
| A-31 | Power Windows | 2.0 | 1.5 |
| C-07 | Auxiliary Top | 4.0 | 23.0 |
| C-60 | Air Conditioning | 38.0 | 9.5 |
| L-S4 | (454) | 94.0 | 11.5 |
| L-82 | (350) (Sp. H/Per.) | 18.0 | 3.0 |
| M-40 | T.H. 400 | 18.5 | 8.5 |
| N-40 | Power Steering | 13.5 | 0.5 |
| Radio | Radio | 5.5 | 3.5 |

CHART "C"

1973 CORVETTE

| SUSP. | CODE | FRONT SPRUNG WEIGHT | PART NUMBER | CODE | REAR SPRUNG WEIGHT | PART NUMBER |
|------------|------|---------------------|-------------|------|--------------------|-------------|
| Std. | MA | 0-768 | 331316 | EA | All | 3977579 |
| | MD | 769-806 | 331317 | | | |
| | ME | 807-844 | 331318 | | | |
| | MG | Over-844 | 331319 | | | |
| H.D. Susp. | EA | All | 3832518 | EB | All | 3977578 |

1974 CORVETTE

Follow the three steps below to utilize the 1974 spring charts.

1. Select the model desired with the base spring weight on Chart "A".
2. Then select options accordingly shown on Chart "B" and add that weight to the base spring weight.
3. Once accumulated weight has been determined refer to Chart "C" and select correct spring.

CHART "A"

1974 CORVETTE

| Base Spring | | Weight | |
|-------------|-------|--------|-------|
| Model | | Front | Rear |
| 1Y237 | Coupe | 704.5 | 733.5 |
| 1Y267 | Conv. | 701.0 | 740.0 |

CHART "B"

1974 CORVETTE

| RPO | Options | Front | Rear |
|-------|--------------------|-------|------|
| A31 | Power Windows | 2.0 | 1.5 |
| C07 | Auxiliary Top | 5.0 | 29.5 |
| C60 | Air Conditioning | 32.5 | 8.0 |
| J50 | Power Brakes | 4.5 | 0.5 |
| LS4 | (454) | 88.5 | 11.0 |
| L82 | (350) (Sp. H/Per.) | 5.0 | 1.5 |
| M-40 | T.H. 400 | 16.0 | 7.5 |
| N-41 | Power Steering | 13.0 | 0.5 |
| Radio | Radio | 3.5 | 3.0 |

CHART "C"

1974 CORVETTE

| Susp. | Code | Front Sprung Weight | Part Number | Code | Rear Sprung Weight | Part Number |
|------------|------|---------------------|-------------|------|--------------------|-------------|
| Std. | MA | 0-766 | 331316 | EA | All | 3977579 |
| | MD | 767-802 | 331317 | | | |
| | ME | 803-838 | 331318 | | | |
| | MG | Over-838 | 331319 | | | |
| H.D. Susp. | AA | All | 340519 | EM | All | 3977578 |

Follow the three steps below to utilize the 1975 spring charts.

1. Select the model desired with the base spring weight on Chart "A".
2. Then select options accordingly shown on Chart "B" and add that weight to the base spring weight.
3. When accumulated weight has been determined refer to chart "C" and select correct spring.

CHART "A" 1975 CORVETTE

| MODELS | | BASE SPRUNG WEIGHT | |
|--------|----------------------|--------------------|-------|
| | | FRONT | REAR |
| 1YZ37 | Corvette 2 Dr. Cpe. | 714 | 784.5 |
| 1YZ67 | Corvette Convertible | 714.5 | 790.5 |


CHART "B" 1975 CORVETTE

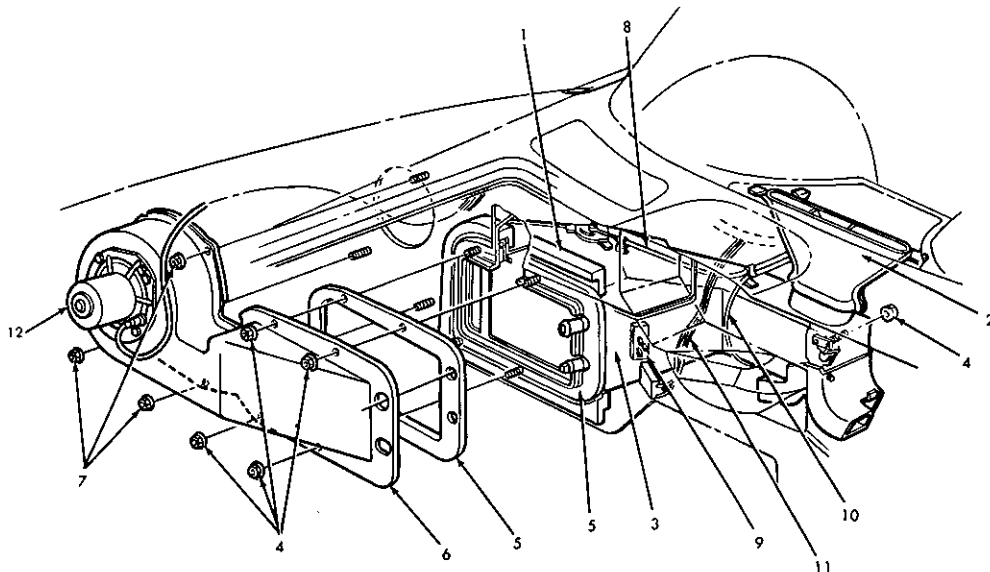
| R.P.O. OPTION WEIGHTS | | FRONT | REAR |
|-----------------------|----------------------------------|-------|------|
| A31 | Power Windows | 2.0 | 1.5 |
| C07 | Auxiliary Top | 5.0 | 29.5 |
| C60 | Air Conditioning | 32.5 | 8.0 |
| J50 | Power Brakes | 4.5 | 0 |
| L82 | 350 4 B.C. Spec. Hi Perf. Engine | 5.0 | 1.5 |
| M40 | Hydramatic Transmission | 18.5 | 8.5 |
| N41 | Power Steering | 12.5 | 0 |
| U58 | Stereo Radio | 5.5 | 3.5 |
| U69 | AM-FM Radio | 3.5 | 3.5 |

CHART "C" 1975 CORVETTE

| FRONT SPRINGS—GROUP 7.412 | | | REAR SPRINGS—GROUP 7.503 | | |
|---------------------------|---------------|----------|--------------------------|---------------|----------|
| MODELS | SPRUNG WEIGHT | PART NO. | MODELS | SPRUNG WEIGHT | PART NO. |
| All (wstd. susp.) | 0-774 | 346939 | All (w/std. susp.) | All | 346906 |
| | 775-Over | 346943 | | | |
| All (w/H.D. susp.) | All | 340519 | All (w/H.D. susp.) | All | 354130 |

GROUP 8.000
SHEET METAL —
HEATER

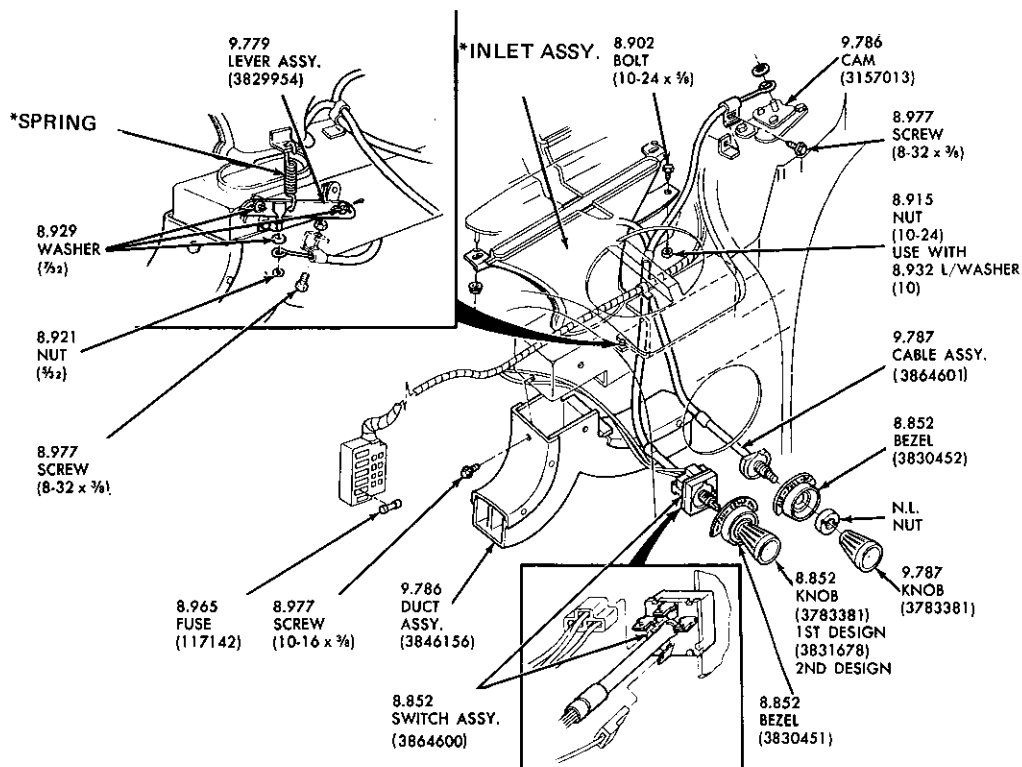




8-37

1963-66 CORVETTE HEATER—EXPLODED

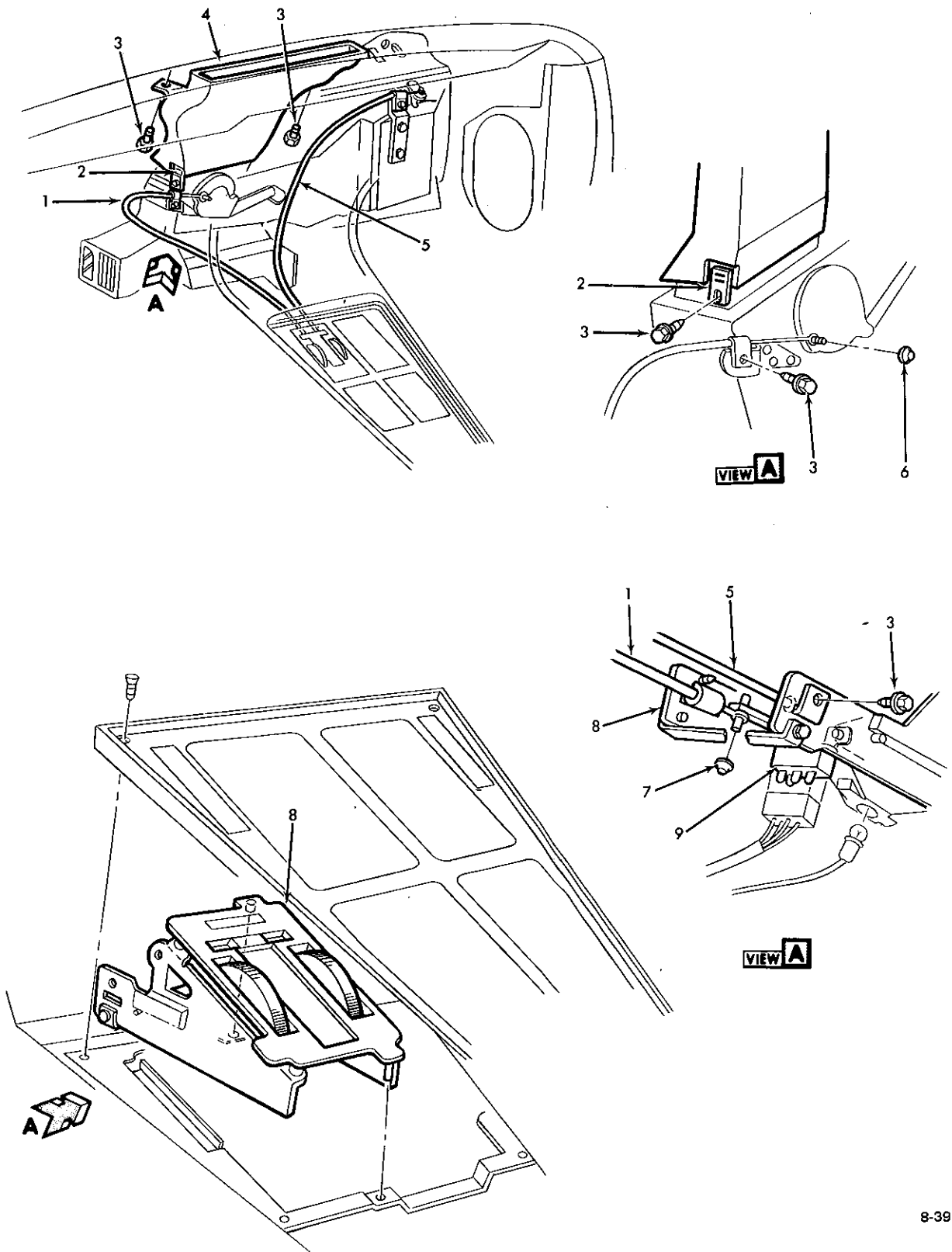
| | | | |
|--|---------|-------------------------------------|---------|
| 1. 8.845 INSULATOR | 3830770 | 8. 8.852 SWITCH ASSY. w/Cable | 3864600 |
| 2. 9.779 INLET ASSY. | 3832505 | 9. 8.855 RESISTOR | 3929052 |
| 3. N.S. HEATER & DEFROSTER ASSY. | | 10. 9.787 CABLE ASSY.—Heater & | |
| 4. 8.921 NUT (1/4—20) | | Defroster | 3864601 |
| 5. 8.845 SEAL | 3825301 | 11. 2.480 HARNESS ASSY. | 2988869 |
| 6. 8.857 CASE ASSY. (Less Motor) | 3156853 | 12. 8.855 MOTOR | 4918686 |
| 7. 8.921 NUT (1/4—20) | | | |



8-38

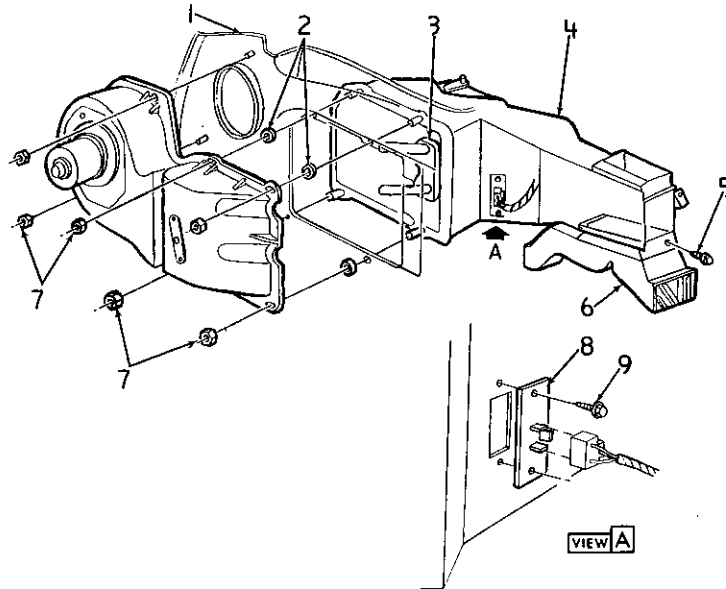
*Removed From Service

1963-64 CORVETTE HEATER CONTROLS



1968 CORVETTE HEATER CONTROLS

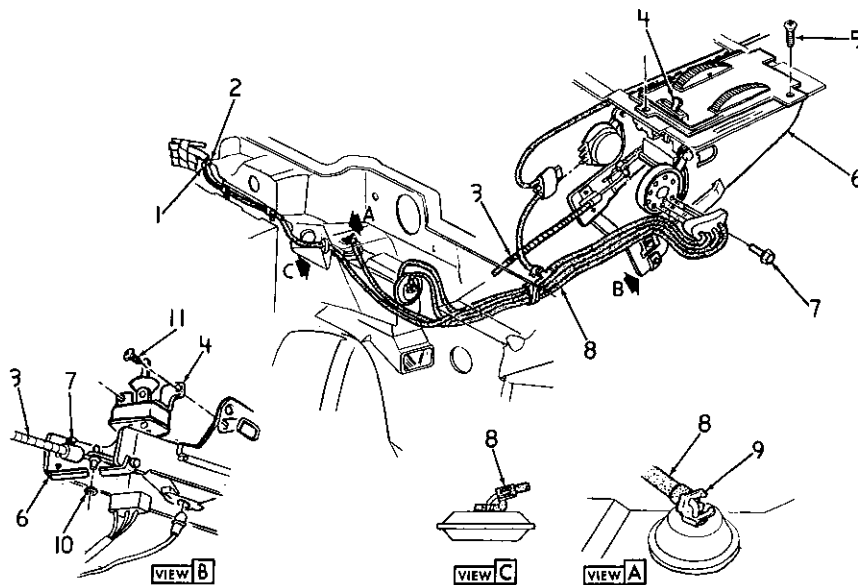
| | | | | | |
|----|----------------------------|---------|----|--------------------------|---------|
| 1. | 9.787 CABLE ASSY. | 3862203 | 6. | 8.921 NUT (5/32) | |
| 2. | 8.846 SUPPORT | 3919588 | 7. | 8.921 NUT | |
| 3. | 8.977 SCREW (#10-16 x 5/8) | | 8. | 8.849 CONTROL ASSY. | 3937176 |
| 4. | 9.779 DUCT ASSY. | 3909006 | 9. | 8.852 SWITCH ASSY. | 3909028 |
| 5. | 9.787 CABLE ASSY. | 3940237 | | | |



8-39A

1971-75 CORVETTE—HEATER, BLOWER & RESISTOR ASSY.

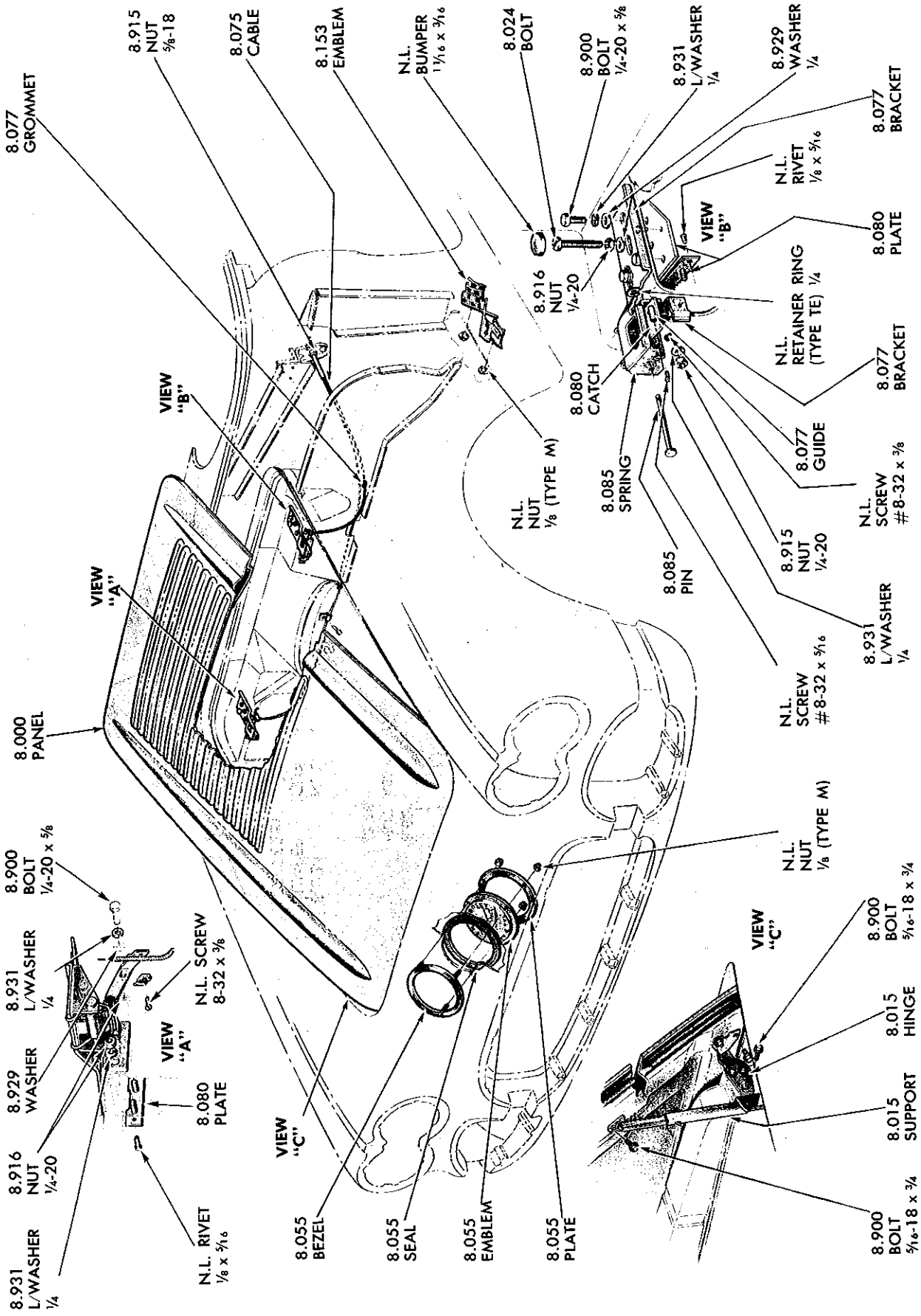
- | | | | |
|-------------------------------|---------|------------------------------|---------|
| 1. N.S. HEATER & BLOWER ASSY. | | 6. 9.786 DUCT ASSY. | 3963797 |
| 2. N.S. WASHER | | 7. 8.921 NUT (1/4-20) | |
| 3. 8.845 SEAL | 3909099 | 8. 8.855 RESISTOR | 3929052 |
| 4. N.S. HEATER & DEF. ASSY. | | 9. 8.977 SCREW (10-16 x 1/2) | |
| 5. 8.977 SCREW (10-16 x 5/8) | | | |



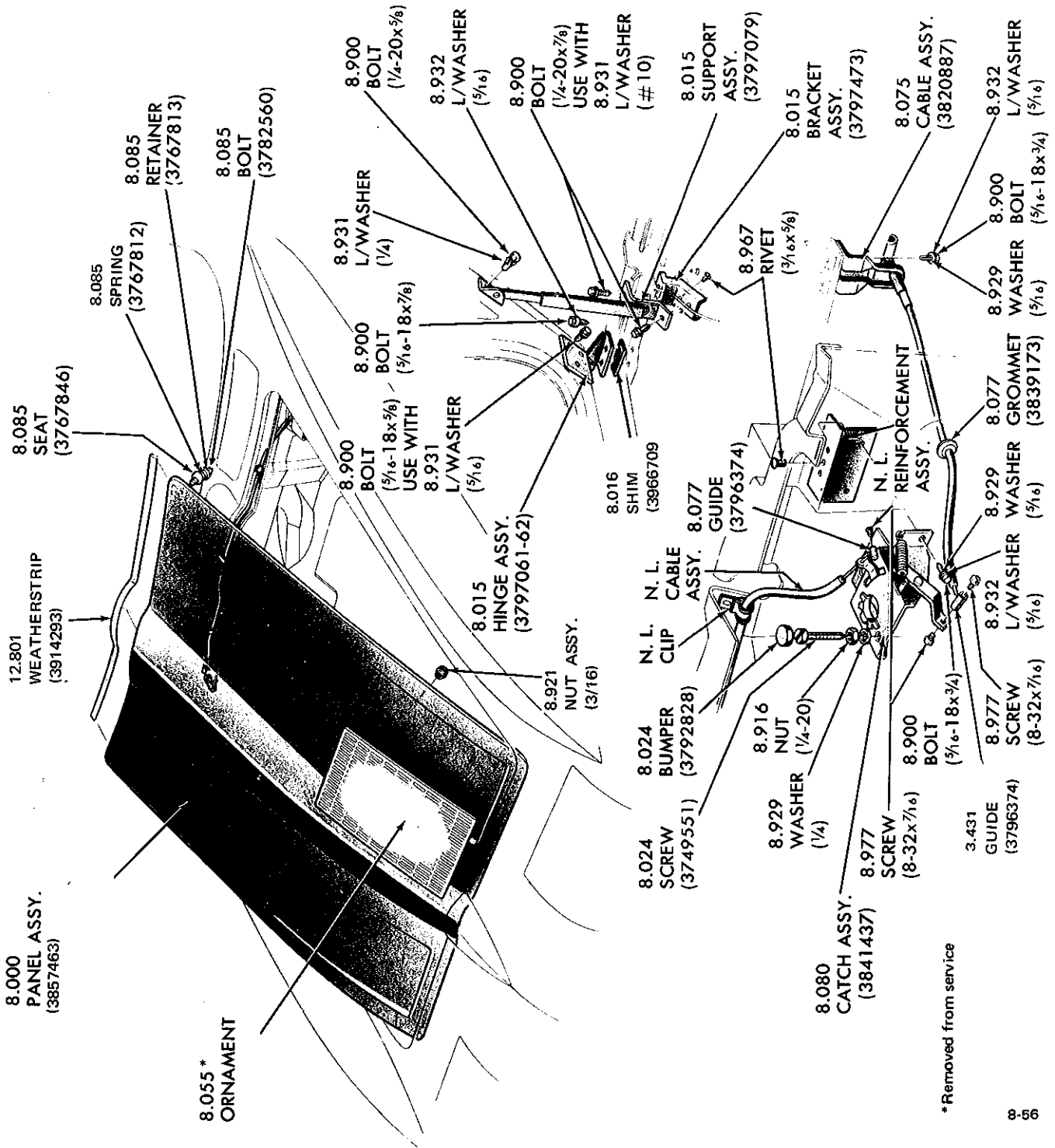
8-40

1971-75 CORVETTE VACUUM CONTROL ASSY. & CABLES

- | | | | |
|--------------------------------|---------|------------------------------------|---------|
| 1. 1.166 CLAMP | 2494772 | 7. 8.977 SCREW ASSY. (10-16 x 1/2) | |
| 2. 9.281 TEE | 3929022 | 8. 8.850 HOSE ASSY. | 3984665 |
| 3. 9.787 CABLE ASSY. | 3940237 | 9. N.S. CLIP | |
| 4. 8.852 SWITCH ASSY. | 3909028 | 10. 8.921 NUT (5/32) | |
| 5. 8.977 SCREW (6-20 x 1/2) | | 11. 8.977 SCREW (10-16 x 5/8) | |
| 6. 8.849 CONTROL ASSY. | 3942627 | | |

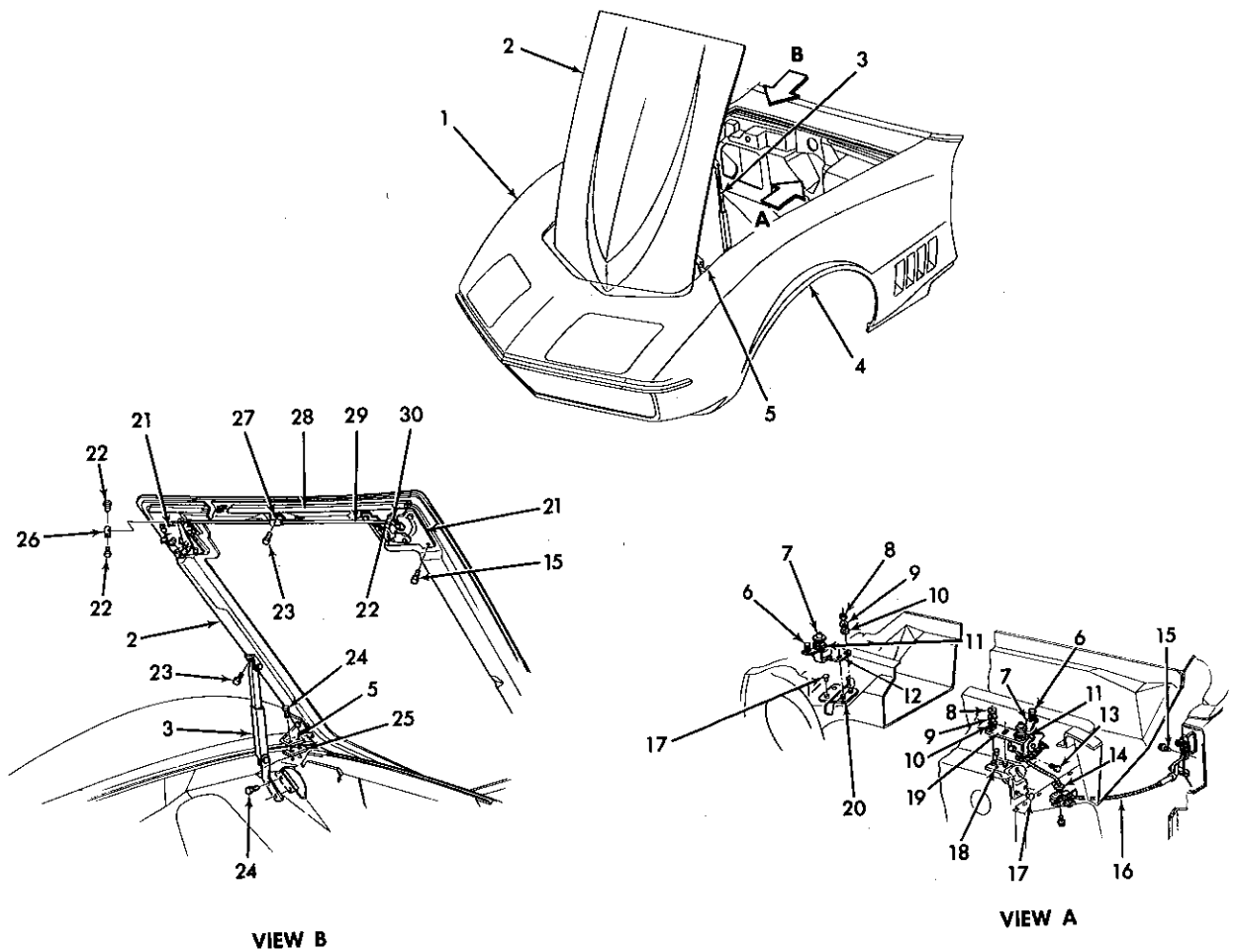


1958-62 CORVETTE HOOD AND PARTS



*Removed from service

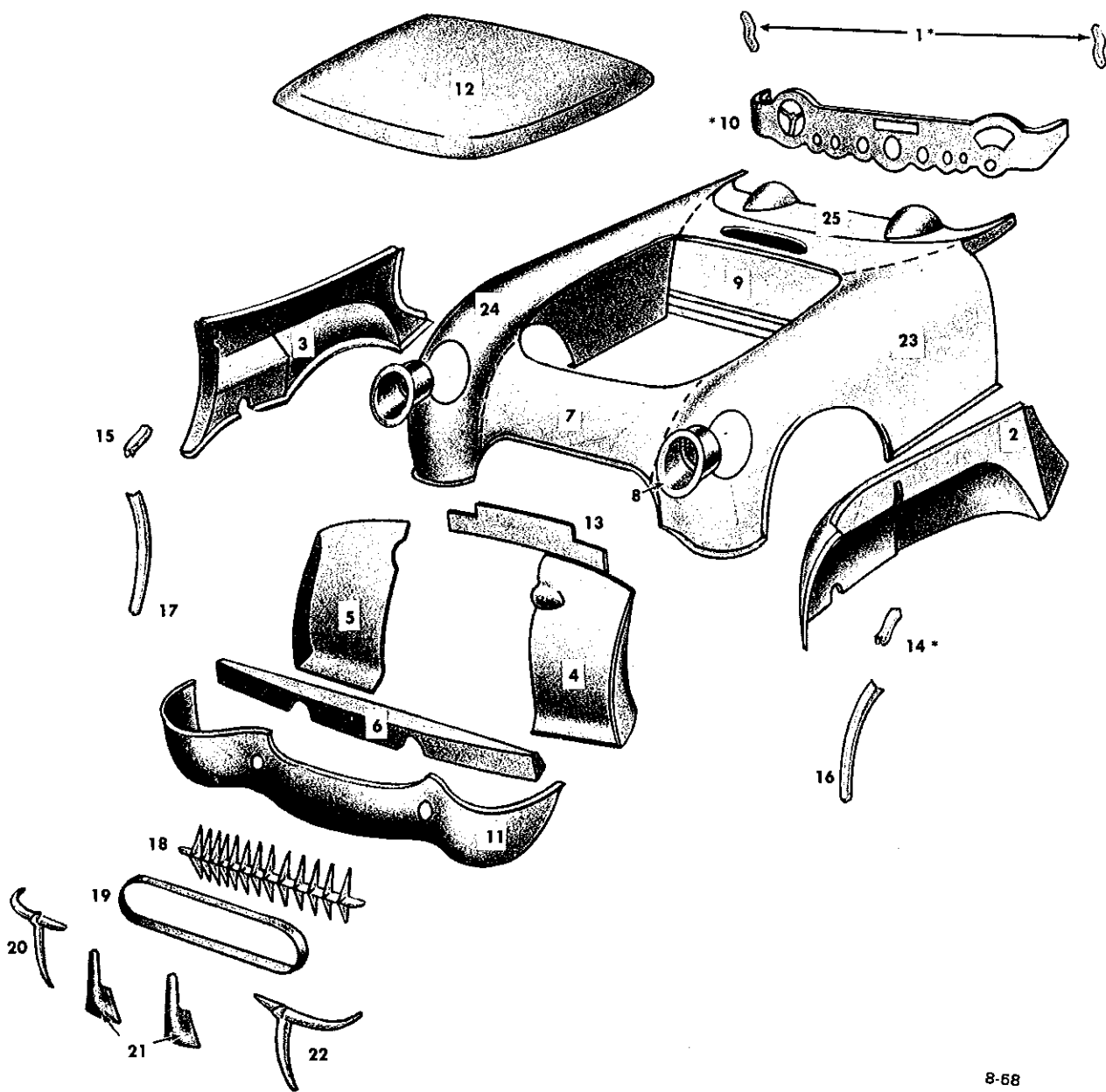
1963-66 CORVETTE HOOD AND LATCH DETAILS



8-67

1968-75 CORVETTE HOOD AND LATCH

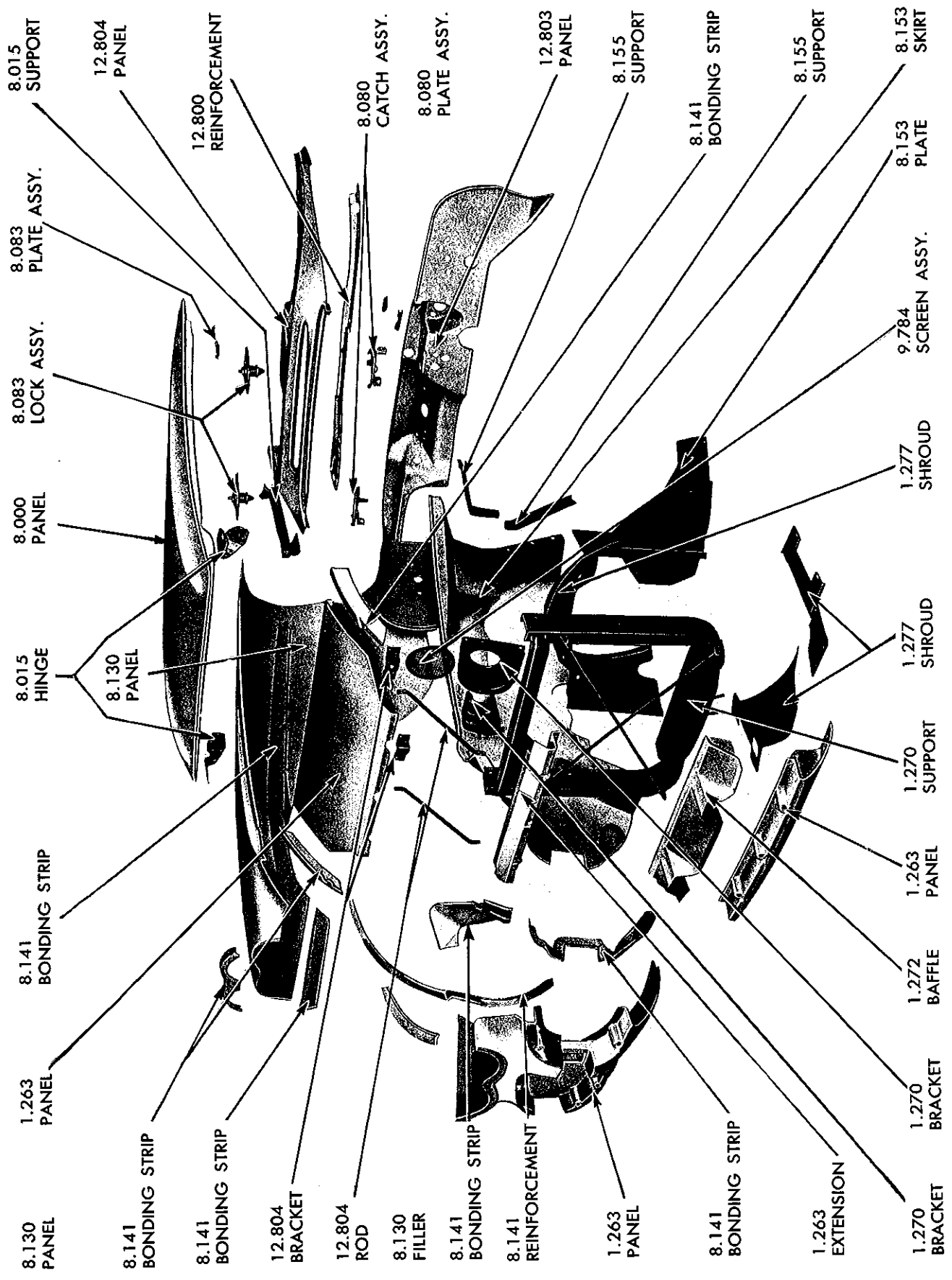
- | | | | | | |
|-----|-------|---------------------|-----|--------|----------------------|
| 1. | 8.130 | PANEL | 17. | 8.997 | RIVET |
| 2. | 8.000 | PANEL | 18. | 8.080 | REINFORCEMENT |
| 3. | 8.015 | SUPPORT ASSY. | 19. | 8.085 | BRACKET ASSY. |
| 4. | 8.130 | PANEL | 20. | 8.083 | PLATE |
| 5. | 8.015 | HINGE ASSY. | 21. | 8.083 | PLATE |
| 6. | 8.024 | BUMPER | | 8.083 | PLATE |
| 7. | 8.085 | BOLT | 22. | 8.900 | BOLT (#8-32 x 7/16) |
| 8. | 8.915 | NUT (5/16-18) | 23. | 8.900 | BOLT (1/4-20 x 1/2) |
| 9. | 8.931 | L/WASHER (5/16) | 24. | 8.900 | BOLT (5/16-18 x 7/8) |
| 10. | 8.929 | WASHER (5/16) | | 8.932 | WASHER (5/16) |
| 11. | 8.085 | SPRING | 25. | 8.016 | SHIM |
| 12. | 8.085 | BRACKET ASSY. | 26. | 8.077 | GUIDE |
| 13. | 8.900 | BOLT (#8-32 x 5/16) | 27. | 8.950 | CLIP (3/16) |
| 14. | 8.077 | GROMMET | 28. | 12.801 | WEATHERSTRIP |
| 15. | 8.900 | BOLT (1/4-20 x 5/8) | 29. | 8.075 | CABLE ASSY. |
| 16. | 8.075 | CABLE ASSY. | 30. | 8.075 | GUIDE |



8-68

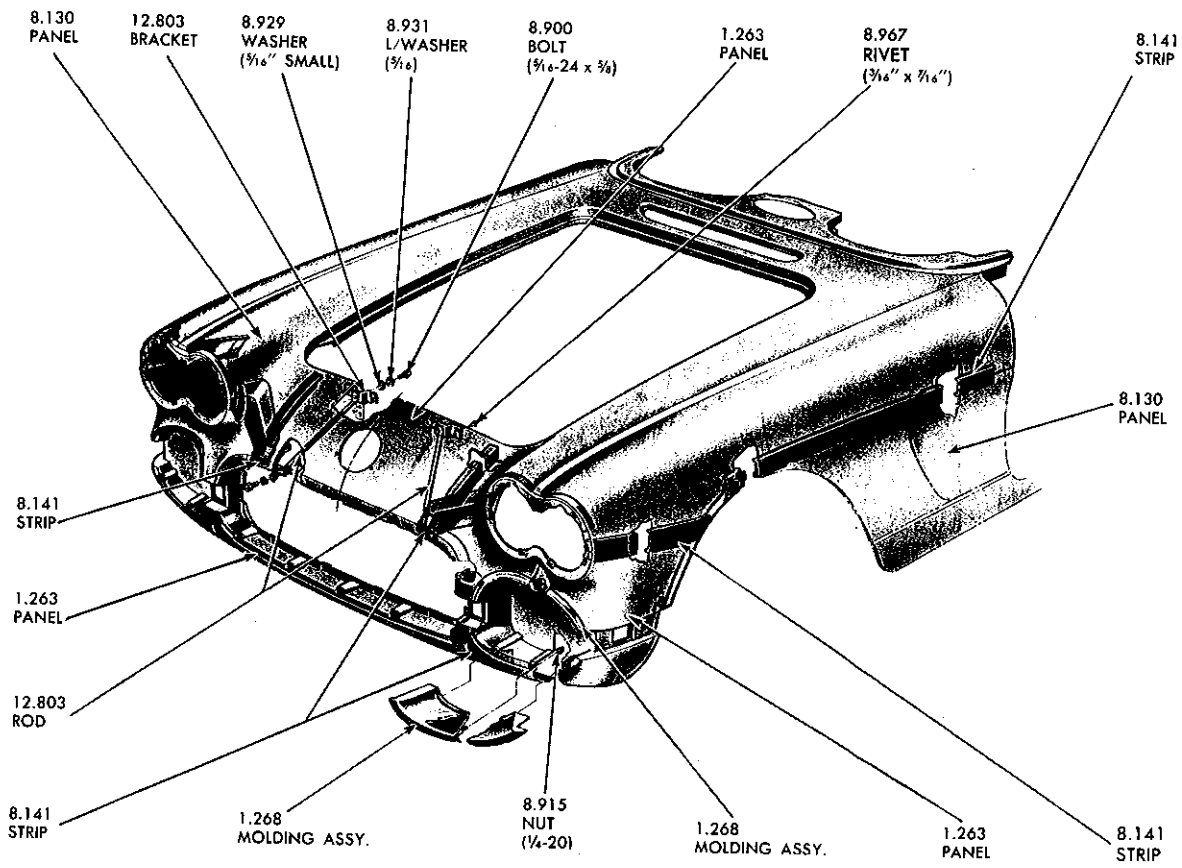
1953-55 CORVETTE FRONT BODY—EXPLODED

- | | |
|--------------------------------------|---|
| 1. 10.252-INSTRUMENT PANEL END PLATE | 14. N.S.S.-FRONT FENDER FRT. SKIRT UPPER REINF., LH |
| 2. 8.153-FRONT, LH | 15. N.S.S.-FRONT FENDER FRT. SKIRT UPPER REINF., RH |
| 3. 8.153-FRONT, RH | 16. N.S.S.-SUPPORT, LH |
| 4. 8.153-FRONT, LH | 17. N.S.S.-SUPPORT, RH |
| 5. 8.153-FRONT, RH | 18. 1.266-GRILLE ASSY. |
| 6. 1.272-BAFFLE | 19. 1.268-MOUNTING |
| 7. 1.263-PANEL | 20. 7.831-BAR, RH |
| 8. 8.130-FENDER | 21. 7.831-BAR, CENTER |
| 9. 12.565-REINFORCEMENT | 22. 7.831-BAR, LH |
| 10. 10.230-INSTRUMENT PANEL | 23. 8.130-FENDER, LH |
| 11. 1.263-PANEL | 24. 8.130-FENDER, RH |
| 12. 8.000-PANEL | 25. 12.803-PANEL |
| 13. 1.287-EXTENSION | |



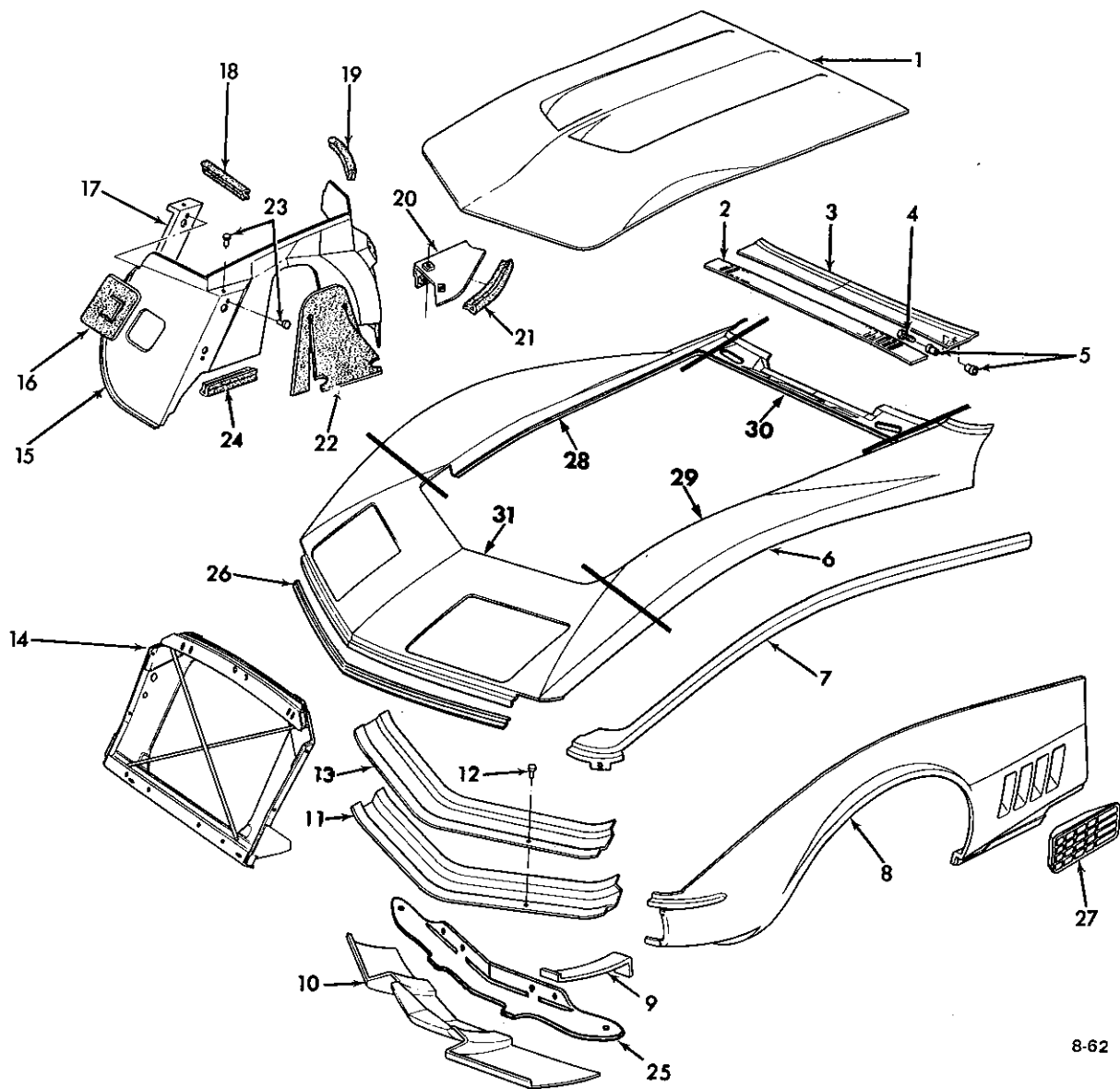
1958-62 CORVETTE FRONT END-EXPLODED

8-59



1958-62 CORVETTE FRONT END PANEL DETAILS

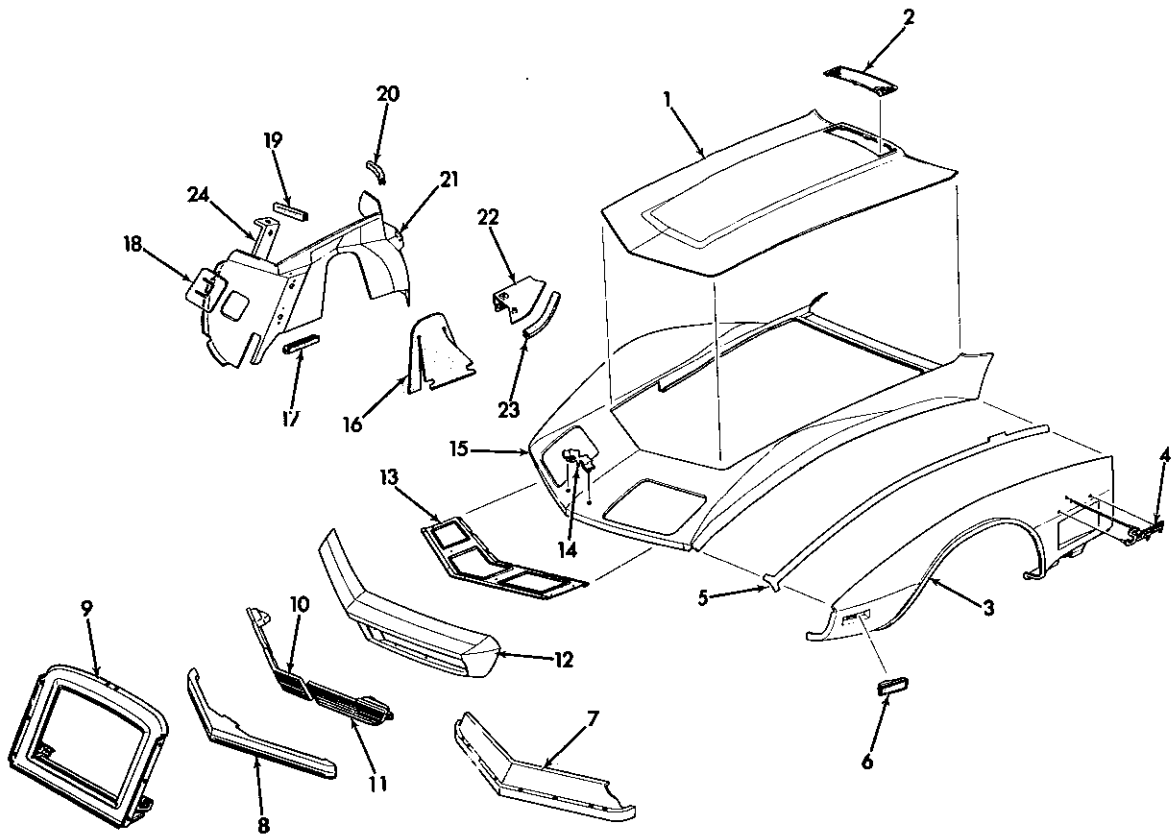
8-60



8-62

1968-72 CORVETTE FRONT END—EXPLODED

| | | | | | | | |
|-----|--------|--------------------------------|------------|-----|-------|------------------------------------|------------|
| 1. | 8.000 | PANEL | | 17. | 8.155 | REINFORCEMENT | |
| 2. | 12.800 | PANEL | 3938153 | 18. | 8.154 | SEAL | 3996620* |
| 3. | 10.130 | PANEL | 3942792 | 19. | 8.154 | SEAL | 3996620 |
| 4. | 10.130 | BOLT | 3945216 | 20. | 8.154 | SHIELD (1968-69) | 3914339-40 |
| 5. | 10.130 | BUSHING | 3922010 | | 8.154 | SHIELD—L.H. (1970-72) | 3974017 |
| 6. | 8.130 | PANEL ASSY. | 3995076 | | 8.154 | SHIELD—R.H. (1970-72) | 3914340 |
| 7. | 8.141 | STRIP | 3930411-12 | 21. | 8.154 | SEAL | 3827365 |
| 8. | 8.130 | PANEL (1968-69) | 3963181-82 | 22. | 8.154 | SHIELD | 3947933-34 |
| | 8.130 | PANEL (1970-72) | 3977865-66 | 23. | 8.997 | RIVET | |
| 9. | 8.141 | BONDING STRIP (1968-72) (L.H.) | 3976465 | 24. | 8.154 | SEAL | 3826512 |
| | 8.141 | BONDING STRIP (1968-72) (R.H.) | 3976466 | 25. | 1.287 | EXTENSION | 3974013 |
| 10. | 1.263 | PANEL (1968-69) | 3941932 | 26. | 1.263 | REINFORCEMENT ASSY. | 3938095 |
| | 1.263 | PANEL (1970-72) | 3995085 | 27. | 8.147 | LOUVER | 3966797-98 |
| 11. | 8.141 | REINFORCEMENT | 3966705 | 28. | 8.130 | PANEL, R.H. Fender Upr. | 3995732 |
| 12. | 8.997 | RIVET | | 29. | 8.130 | PANEL, L.H. Fender Upr. | 3995731 |
| 13. | 1.263 | STRIP | 3930134 | 30. | 8.130 | PANEL, Fender Upr. Rear | 3936334 |
| 14. | 1.270 | SUPPORT ASSY. | | 31. | 8.130 | PANEL, Fender Upr. Front (1968-72) | 3997517 |
| 15. | 8.153 | SKIRT | | | | | |
| 16. | 7.833 | SEAL | 3947927 | | | | |



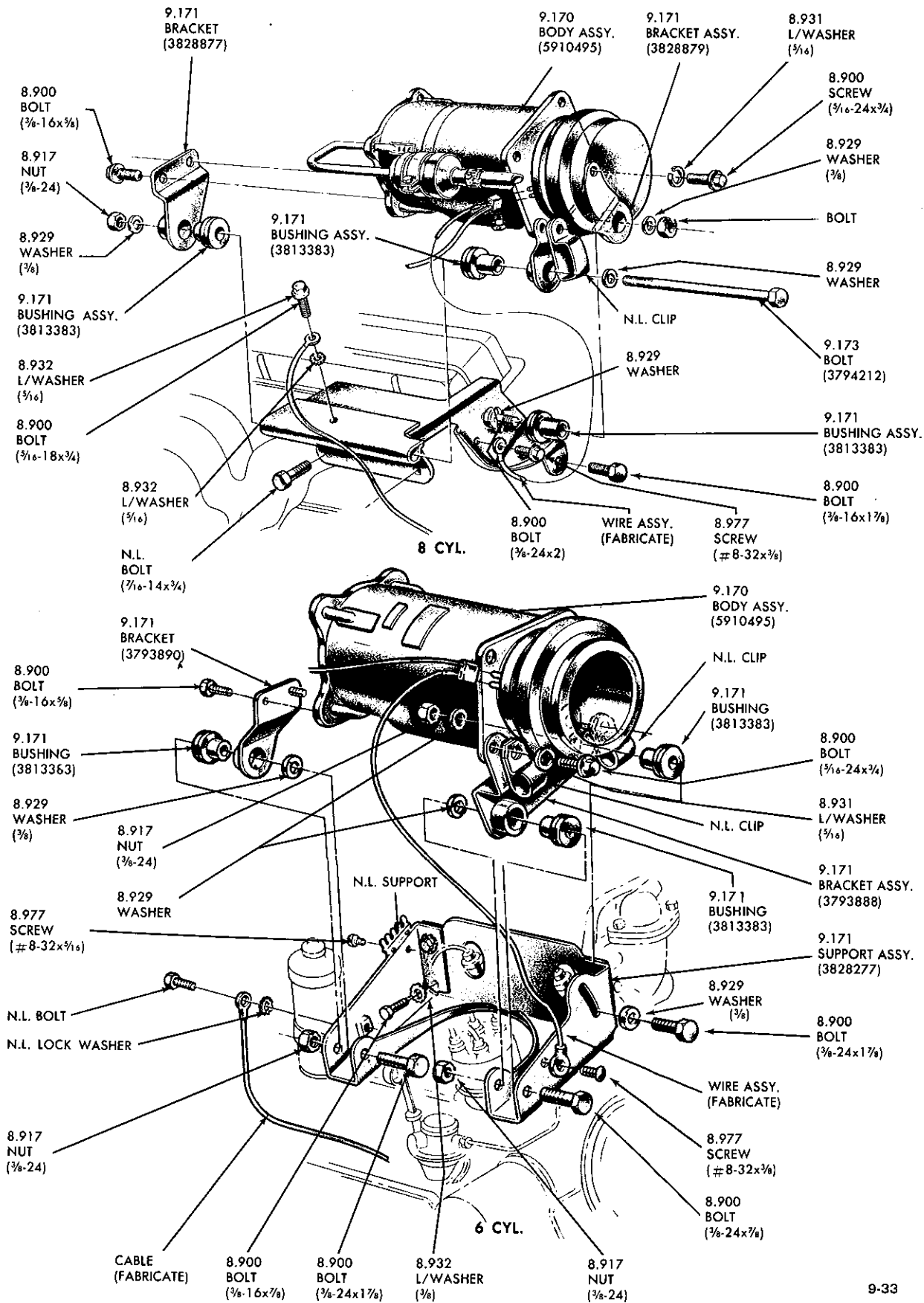
8-188

1973-75 CORVETTE FRONT END SHEET METAL

| | | | | | |
|-----------|--------------------------|-----------|-----------|---------------------------|-----------|
| 1. 8.000 | HOOD ASM. | 327684 | 14. 1.303 | EMBLEM | 6259672 |
| 2. 12.800 | GRILLE | 331805 | 15. 8.130 | PANEL ASM. UPR. | 327656 |
| 3. 8.130 | PANEL LOWER | 327653-4 | 16. 8.154 | SHIELD | 3947934-3 |
| 4. 8.147 | EMBLEM | 3956216 | 17. 8.154 | SEAL—Cut as Reqd. | |
| 5. 8.141 | STRIP | 331807-8 | 18. 7.833 | SEAL | 331842 |
| 6. 2.575 | MARKER LAMP ASM. | 331879-80 | 19. 8.154 | SEAL—Cut as Reqd. | |
| 7. 1.287 | PANEL LOWER EXT. | 327695 | 20. 8.154 | SEAL—Cut as Reqd. | |
| 8. 7.831 | BUMPER | 327625 | 21. 8.153 | SKIRT ASM. | 331858-7 |
| 9. 1.270 | SUPPORT ASM. | 3966596 | 22. 8.154 | SHIELD ASSY.—L.H. | 3974017 |
| 10. 1.266 | GRILLE-CENTER | 331834 | | SHIELD ASSY.—R.H. | 3914340 |
| 11. 1.266 | GRILLE-OUTER | 331835-6 | 23. 8.154 | SEAL—Cut as Reqd. | |
| 12. 7.833 | COVER | 6263597 | 24. 8.155 | REINF. L.H. | 3953051 |
| 13. 1.263 | PANEL-LOWER | 327641 | | REINF. R.H. | 3958806 |

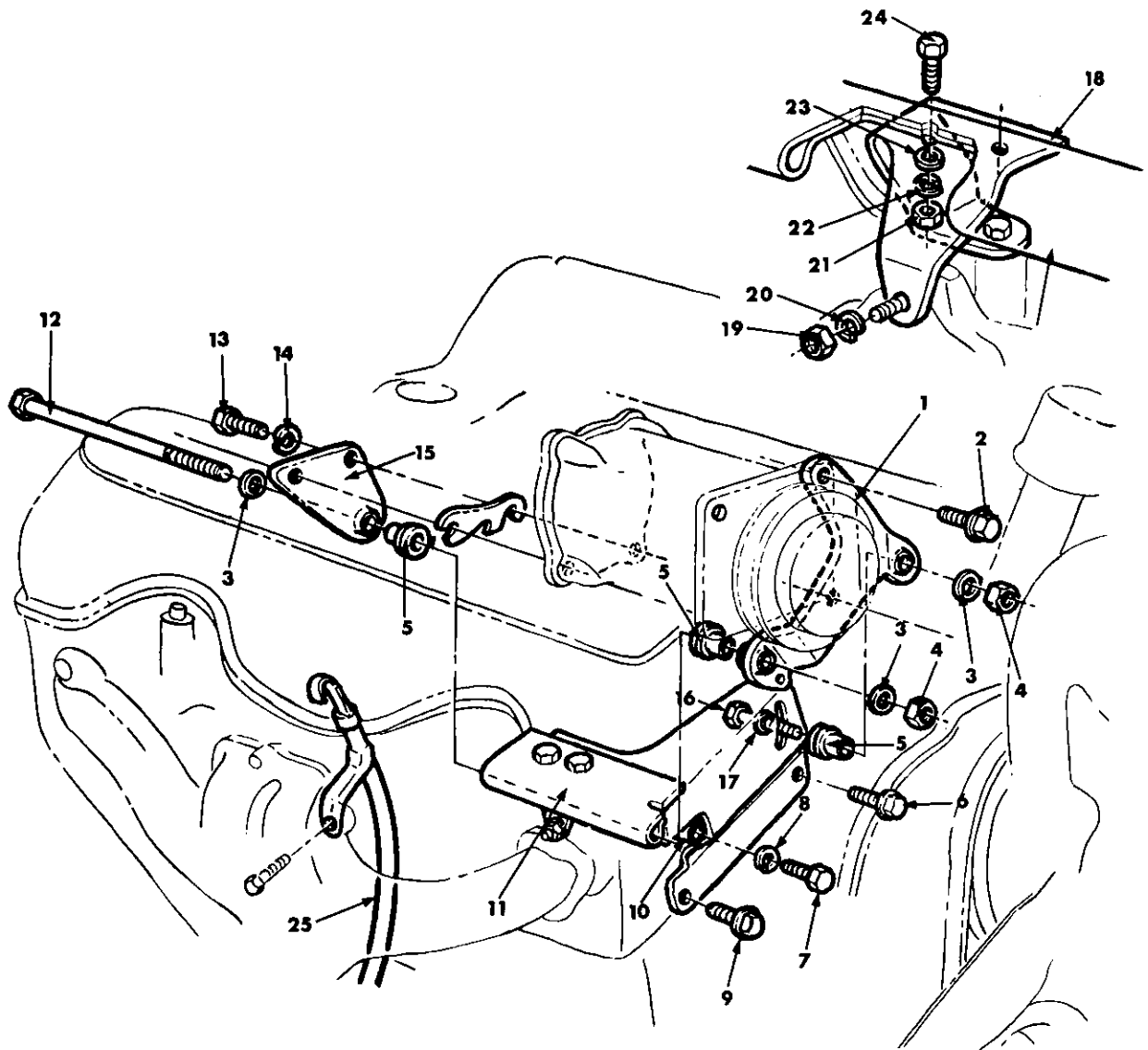
GROUP 9.000
BODY MOUNTING
AIR CONDITIONING





9-33

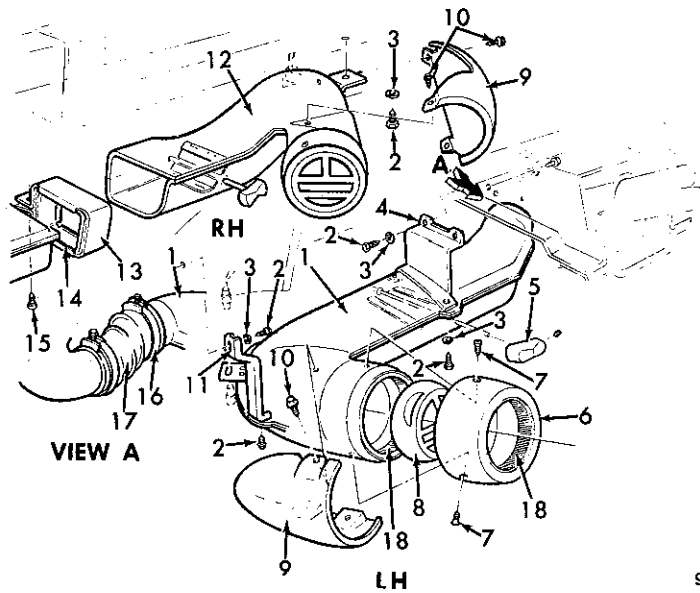
1963 AIR CONDITIONING COMPRESSOR MOUNTING DETAILS



9-34

1965 A/C COMPRESSOR MOUNTING-409

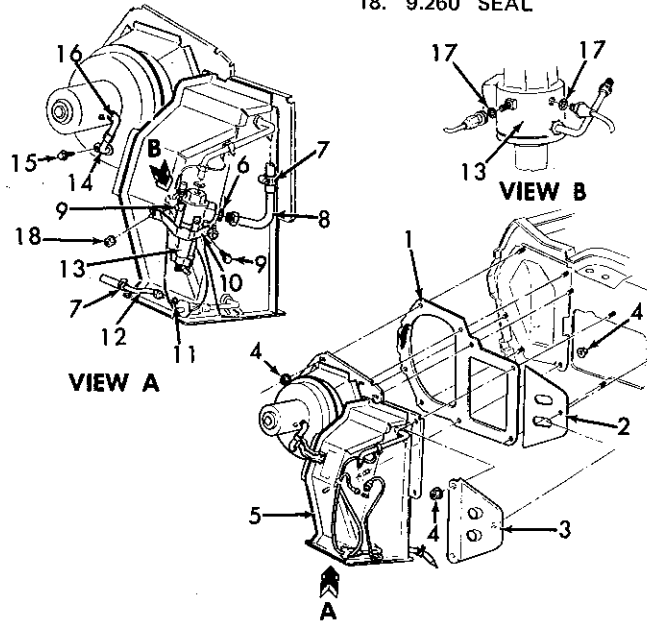
| | | | | | | | |
|-----|-------|------------------------|---------|-----|-------|---------------------|---------|
| 1. | 9.171 | BRACKET ASSY. | 3834723 | 14. | 8.931 | L. WASHER (3/8) | |
| 2. | 8.900 | SCREW (5/16-24 x 1/2) | | 15. | 9.171 | BRACKET | 3834730 |
| 3. | 8.929 | WASHER (5/16) | | 16. | 8.900 | BOLT (3/8-16 x 2) | |
| 4. | 8.917 | NUT (3/8-16) | | 17. | 8.143 | SPL. WASHER | 3710405 |
| 5. | 9.171 | BUSHING ASSY. | 3813383 | 18. | 9.171 | SUPPORT | 3853178 |
| 6. | 8.900 | SCREW (7/16-14 x 3/4) | | 19. | 8.915 | NUT (5/16-18) | |
| 7. | 8.900 | BOLT (7/16-14 x 1-1/2) | | 20. | 8.932 | L. WASHER (5/16) | |
| 8. | 8.931 | L. WASHER (7/16) | | 21. | 8.916 | NUT (1/2) | |
| 9. | 8.900 | BOLT (3/8-16 x 3/4) | | 22. | 8.931 | L. WASHER (1/4) | |
| 10. | 9.171 | SPACER | 3755656 | 23. | 8.929 | WASHER (5/8) | |
| 11. | 9.171 | SUPPORT ASSY. | 3838485 | 24. | 8.900 | BOLT (1/4-20 x 7/8) | |
| 12. | 9.173 | BOLT | 3794212 | 25. | * | TUBE ASSY. | |
| 13. | 8.900 | BOLT (3/8-16 x 3/4) | | | | | |



9-35

1964-67 CORVETTE AIR CONDITIONING OUTLET DUCT

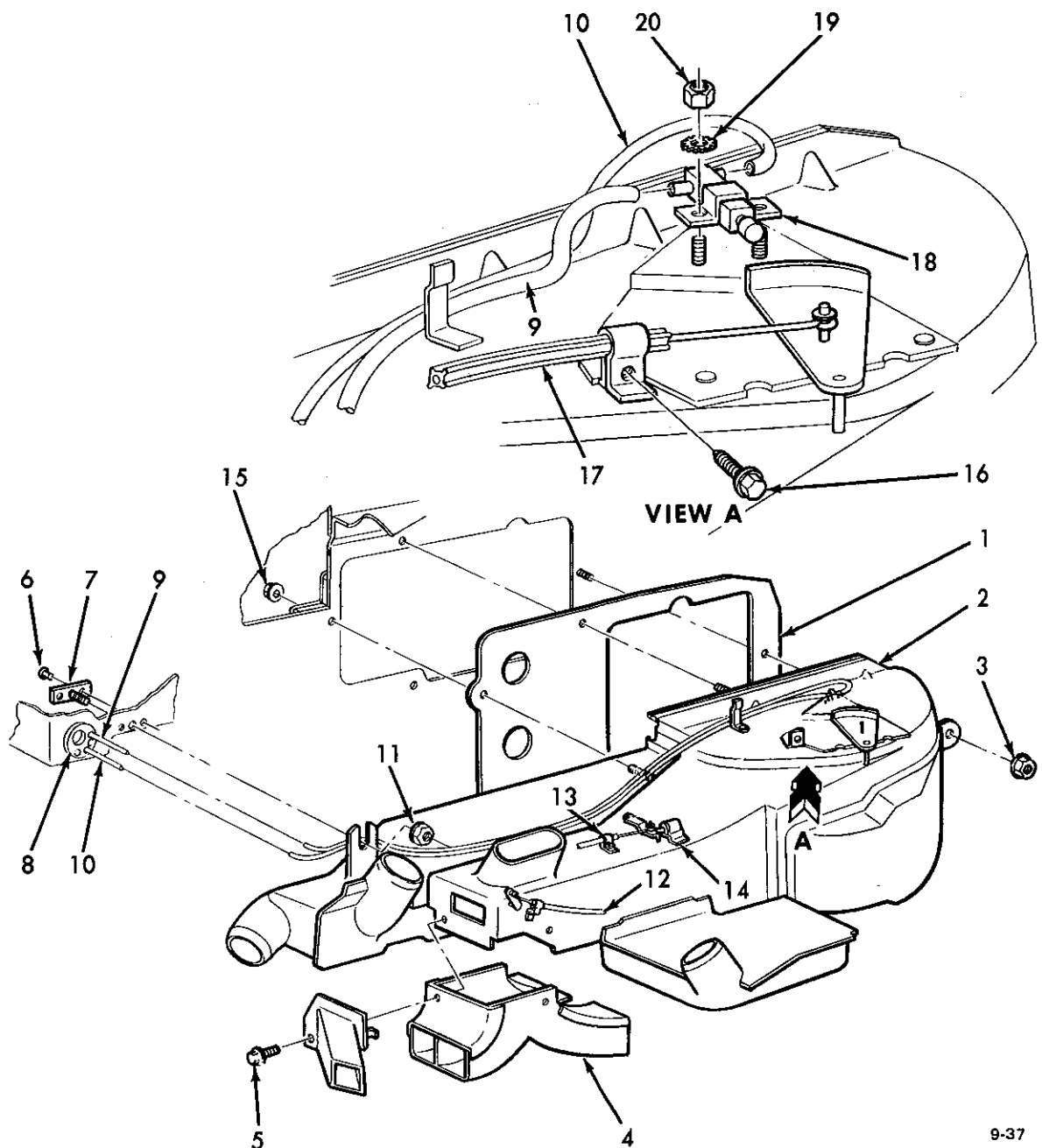
- | | |
|---|---|
| 1. 9.262 DUCT ASSY.—L.H. | 10. 8.977 SCREW (#8—32 x 5/16) (Type T) |
| 2. 8.977 SCREW (#10—16 x 1/2) (Type BA) | 11. N.S. BRACKET |
| 3. 8.929 WASHER | 12. 9.262 DUCT ASSY.—R.H. |
| 4. N.S. BRACKET | 13. 9.262 CLAMP |
| 5. 9.262 KNOB ASSY. | 14. N.S. SEAL |
| 6. 9.262 BEZEL | 15. 8.977 SCREW (#10—12 x 1-5/8) (Type A) |
| 7. 8.977 SCREW (#8—18 x 1/2) (Type BA) | 16. 1.166 CLAMP (2-11/16) (Type C) |
| 8. 9.262 DEFLECTOR | 17. 9.220 HOSE |
| 9. 9.262 EXTENSION | 18. 9.260 SEAL |



9-36

1964-67 CORVETTE AIR CONDITIONING BLOWER & EVAPORATOR

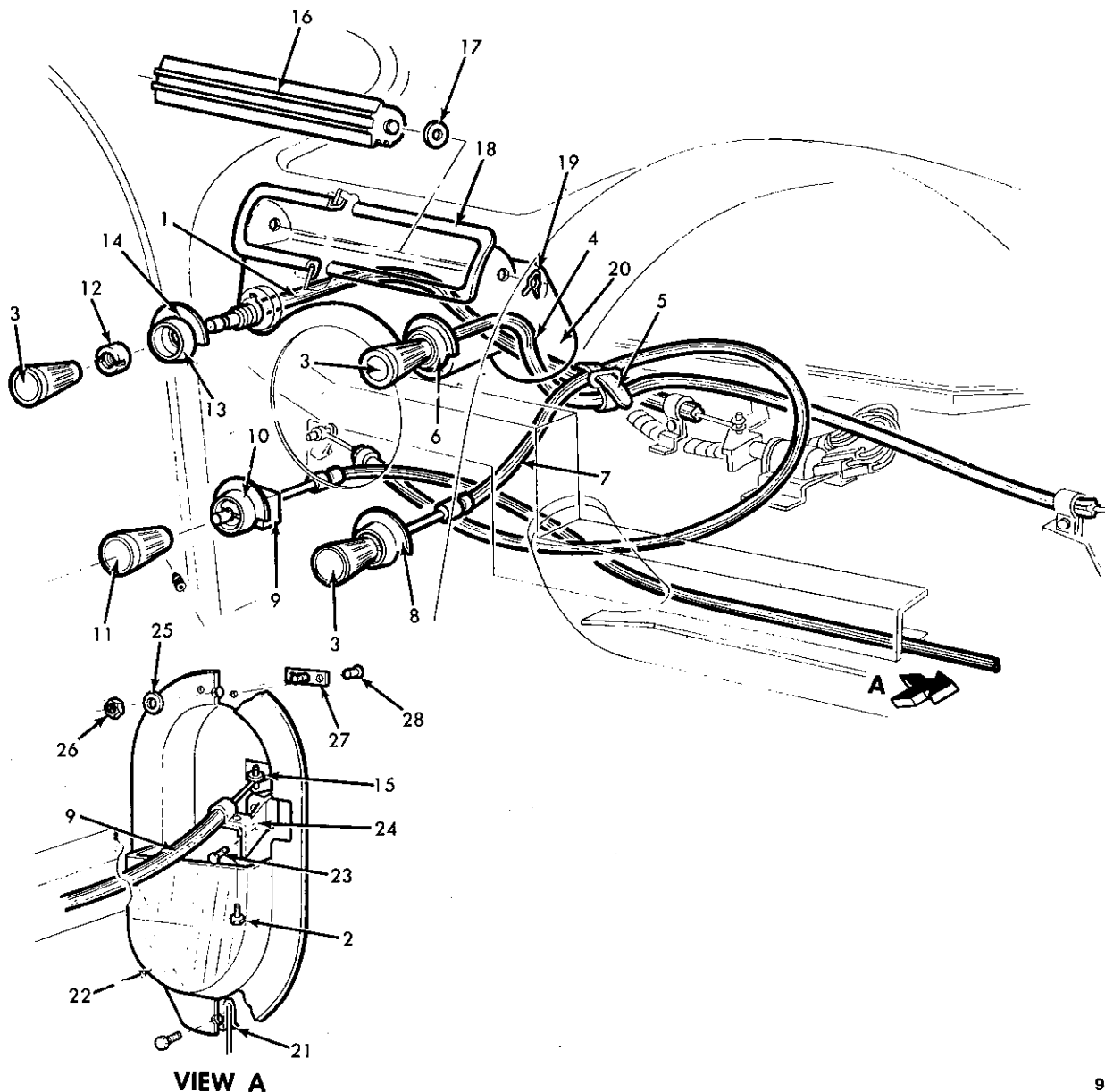
- | | |
|-----------------------------------|-------------------------------|
| 1. 9.216 GASKET | 10. 9.199 BRACKET |
| 2. N.S. GASKET | 11. 9.211 GASKET |
| 3. N.S. COVER | 12. 9.220 TUBE ASSY. |
| 4. 8.921 NUT (1/4—20) | 13. 9.198 VALVE ASSY. |
| 5. N.S. BLOWER & EVAPORATOR ASSY. | 14. 9.218 TUBE ASSY. |
| 6. 9.211 GASKET | 15. 8.977 SCREW (#8—18 x 3/8) |
| 7. 9.242 CLAMP | 16. 9.218 INLET TUBE |
| 8. 9.225 TUBE ASSY. | 17. 9.214 GASKET |
| 9. 8.900 BOLT (1/4—20 x 1/2) | 18. N.S. NUT |



9-37

1964-67 CORVETTE AIR CONDITIONING HEATER & DISTRIBUTOR ASSY.

- | | |
|--|---|
| 1. N.S. GASKET | 11. 8.921 NUT (1/4-20) |
| 2. N.S. DUCT ASSY.—Air Selector | 12. 9.787 CABLE ASSY.—Defroster |
| 3. 8.921 NUT (1/4-20) | 13. 9.787 CABLE ASSY.—Air Diverter |
| 4. 9.786 DISTRIBUTOR ASSY. | 14. 9.275 SWITCH ASSY. |
| 5. 8.977 SCREW (#10-16 x 5/8) (Type BA) | 15. 8.921 NUT (1/4-20) |
| 6. 8.997 RIVET | 16. 8.977 SCREW (#10-16 x 5/8) (Type BT) |
| 7. 8.857 BRACKET | 17. 9.787 CABLE ASSY.—Temperature |
| 8. 9.775 GROMMET | 18. 9.280 SWITCH ASSY.—Vacuum |
| 9. 8.962 HOSE—Vacuum to Water Shut Off— Cut 65-1/2" | 19. 8.932 L. WASHER (#8) |
| 10. 8.962 HOSE—Vacuum to Tee—Cut 56" | 20. 8.915 NUT (#8-32) |

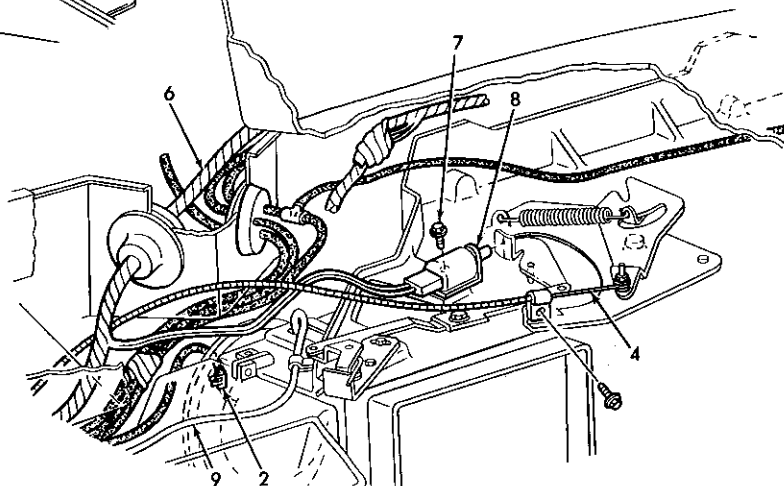
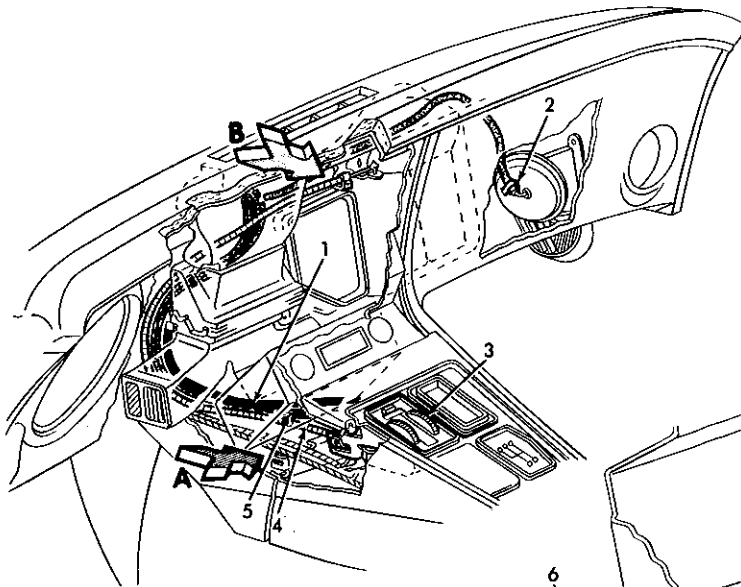


VIEW A

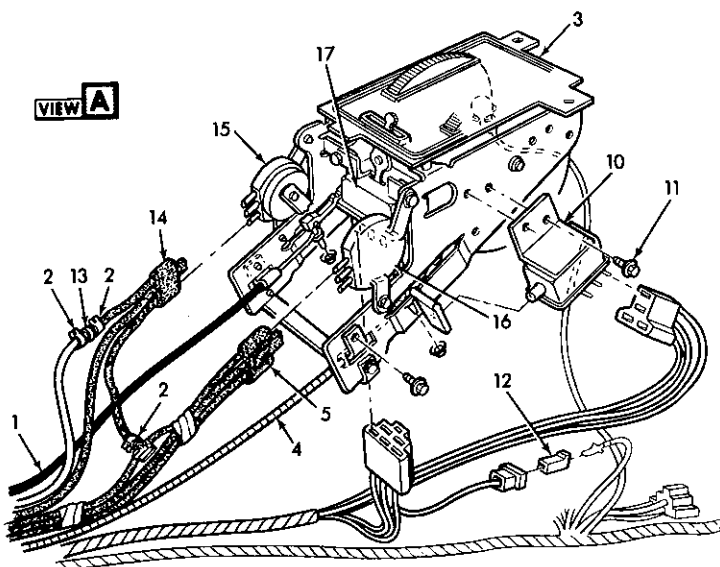
9-38

1965-67 CORVETTE AIR CONDITIONING CENTER OUTLET & CABLES

- | | |
|--|-------------------------------------|
| 1. 9.787 CABLE ASSY.—Air Diverter | 14. 8.852 PLATE—Name (Air Diverter) |
| 2. 8.977 SCREW (3/8—16 x 1-1/8) | 15. 9.787 NUT—Cable |
| 3. 9.787 KNOB ASSY.—Control | 16. 9.262 DEFLECTOR |
| 4. 9.787 CABLE ASSY.—Temp. | 17. 8.929 WASHER (1/4) |
| 5. 13.090 STRAP | 18. 9.262 BEZEL |
| 6. 8.852 PLATE—Name (Temp.) | 19. 8.934 RETAINER (3/16) |
| 7. 9.787 CABLE ASSY.—Defroster | 20. 9.262 OUTLET ASSY. |
| 8. 8.852 PLATE—Name (Defroster) | 21. 8.921 NUT—U (#10—12) |
| 9. 9.787 CABLE ASSY.—Blower Switch & Air inlet | 22. 9.783 GRILLE |
| 10. 8.852 PLATE—Name (Blower Switch & Air inlet) | 23. 8.977 SCREW (#8—32 x 3/8) |
| 11. 8.852 KNOB ASSY.—Control | 24. 9.787 BRACKET |
| 12. 8.797 NUT | 25. 8.929 WASHER |
| 13. 8.852 BEZEL | 26. 8.915 NUT (10—24) |
| | 27. 9.264 BRACKET |
| | 28. 8.967 RIVET |



VIEW B

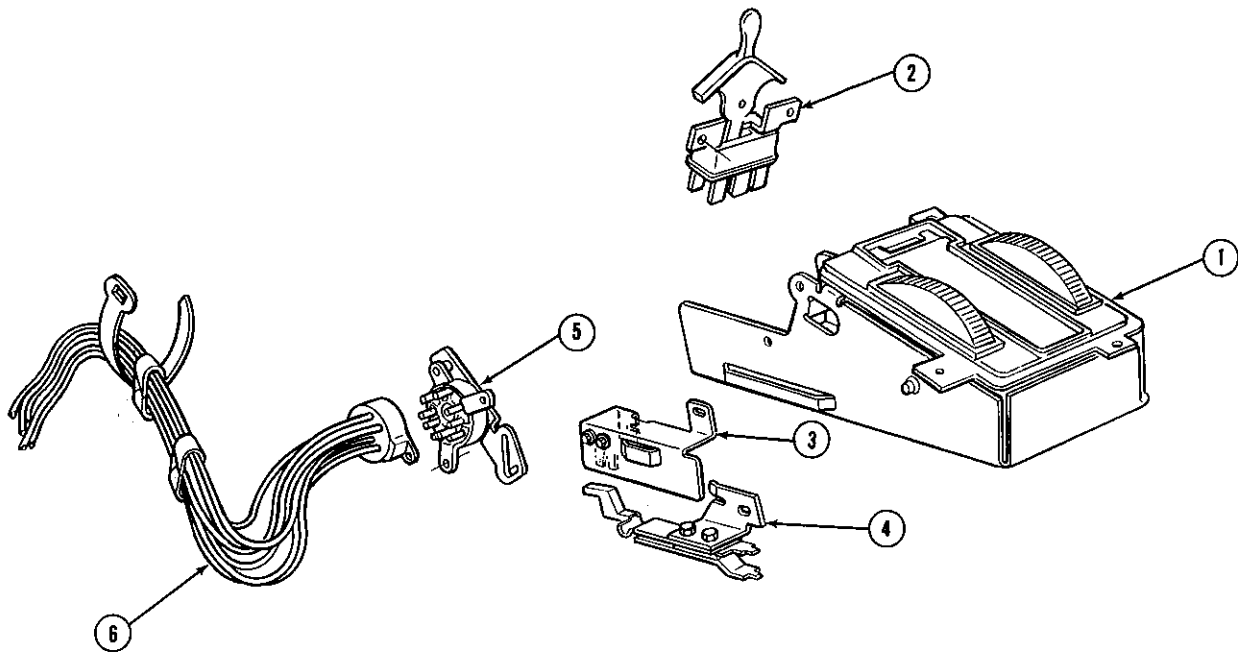


VIEW A

9-39

1968 CORVETTE AIR CONDITIONING CONTROLS

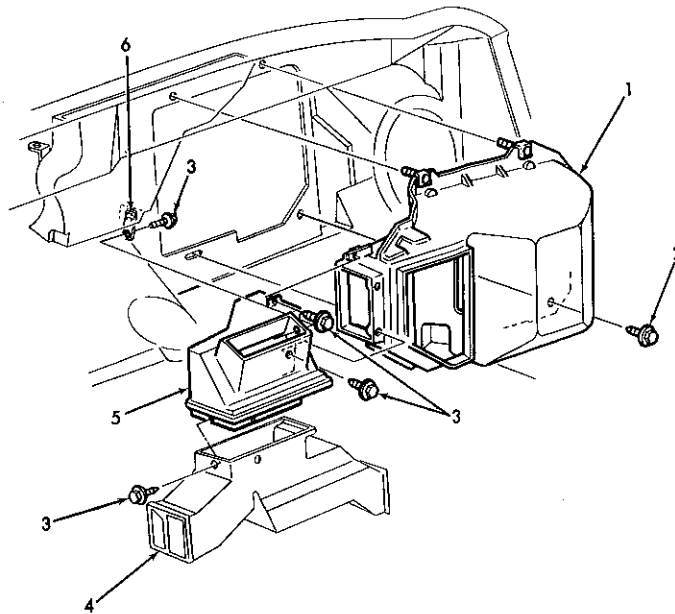
| | | | | | | | |
|----|-------|---------------------|---------|-----|-------|----------------------|---------|
| 1. | 9.787 | CABLE ASSY., Defr. | 3925714 | 10. | 8.852 | SWITCH ASSY. | 3919595 |
| 2. | 1.166 | CLAMP | 2494772 | 11. | 8.977 | SCREW (10-16 x 3/8) | |
| 3. | 8.849 | CONTROL ASSY. | 3937178 | 12. | 2.530 | CONNECTOR | 2977253 |
| 4. | 9.787 | CABLE ASSY. | 3940239 | 13. | 9.281 | CONNECTOR-HOSE | 3967813 |
| 5. | 8.962 | HOSE ASSY. | | 14. | 9.786 | HOSE ASSY.-VAC. | 3925716 |
| 6. | 9.276 | HARNESS ASSY. | 6295076 | 15. | 9.786 | VALVE ASSY.-Defrost | 7302836 |
| 7. | 8.977 | SCREW (#8-18 x 1/2) | | 16. | 9.786 | VALVE ASSY.-Air Door | 7302835 |
| 8. | 8.852 | SWITCH ASSY. | 3870286 | 17. | 8.849 | CONTROL ASSY. | 6262642 |
| 9. | 8.962 | HOSE | 3898980 | | | | |



9-418

1969-74 CORVETTE AIR CONDITIONING CONTROLS

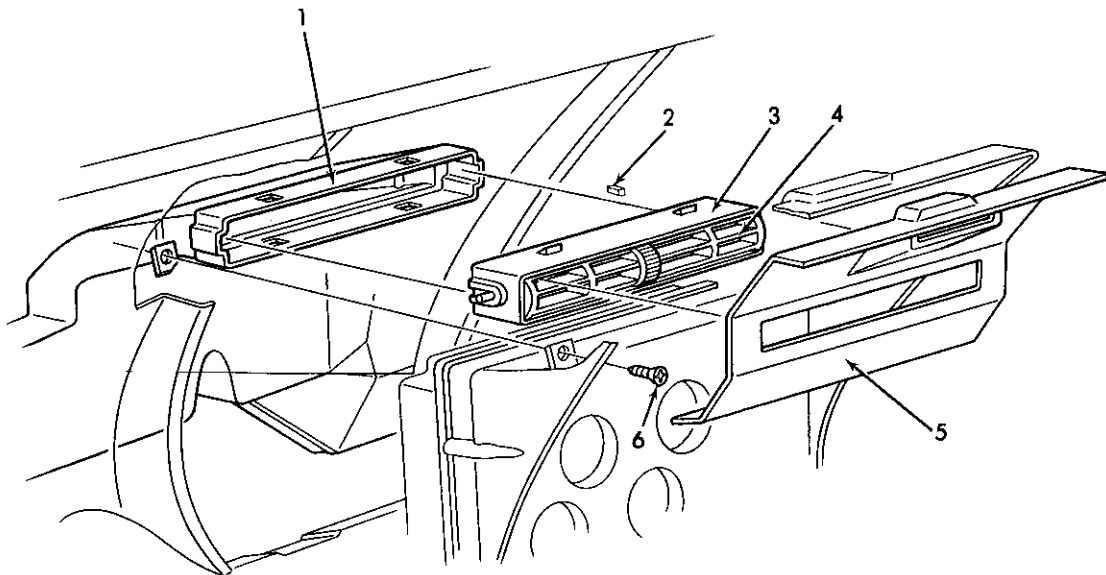
| | | | |
|---|---------|---|---------|
| 1. 9.273 CONTROL ASM., (Includes #2, 3, 4, 5) | 6262642 | 6. 9.281 HOSE ASM.—heater and a/c vac. cont. (74-75) | 3992164 |
| 2. 8.852 SWITCH ASM.—heater and a/c blower. | 3942657 | HOSE ASM.—heater and a/c vac. cont. (72-73) | 331945 |
| 3. 8.852 SWITCH ASM.—heater and a/c low blower | 7310366 | HOSE ASM.—heater and a/c vac. cont. (70-71) | 3984651 |
| 4. 8.852 SWITCH ASM.—heater and a/c compressor | 7310365 | HOSE ASM.—heater and a/c vac. cont. (69) | 3949969 |
| 5. 9.786 VALVE ASM.—heater and a/c defr. and air | 7309782 | | |



9-40

1968 CORVETTE AIR CONDITIONING SELECTOR AND DISTRIBUTOR

- | | | |
|---|--------------------------|---------|
| 1. N.L. SELECTOR ASSY. | 4. 9.786 DUCT ASSY. | 3963797 |
| 2. 8.977 SCREW and WASHER ASSY. (1/4-14 x 1-1/4) | 5. 9.786 DUCT ASSY. | 3906098 |
| 3. N.L. SCREW and WASHER | 6. 12.803 PANEL | 3963180 |

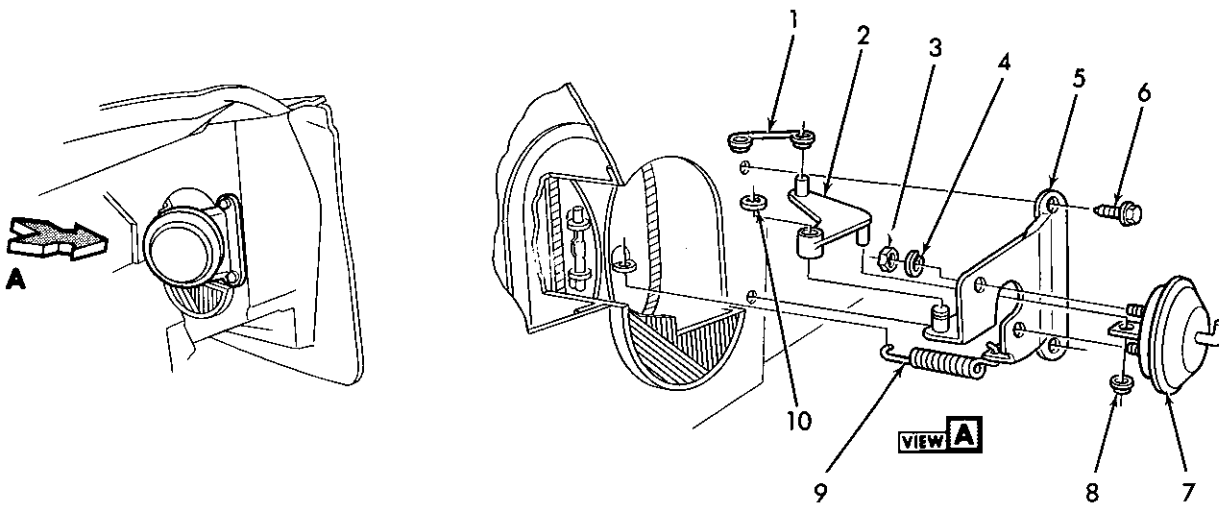


9-41

1968 CORVETTE AIR CONDITIONING CENTER OUTLET

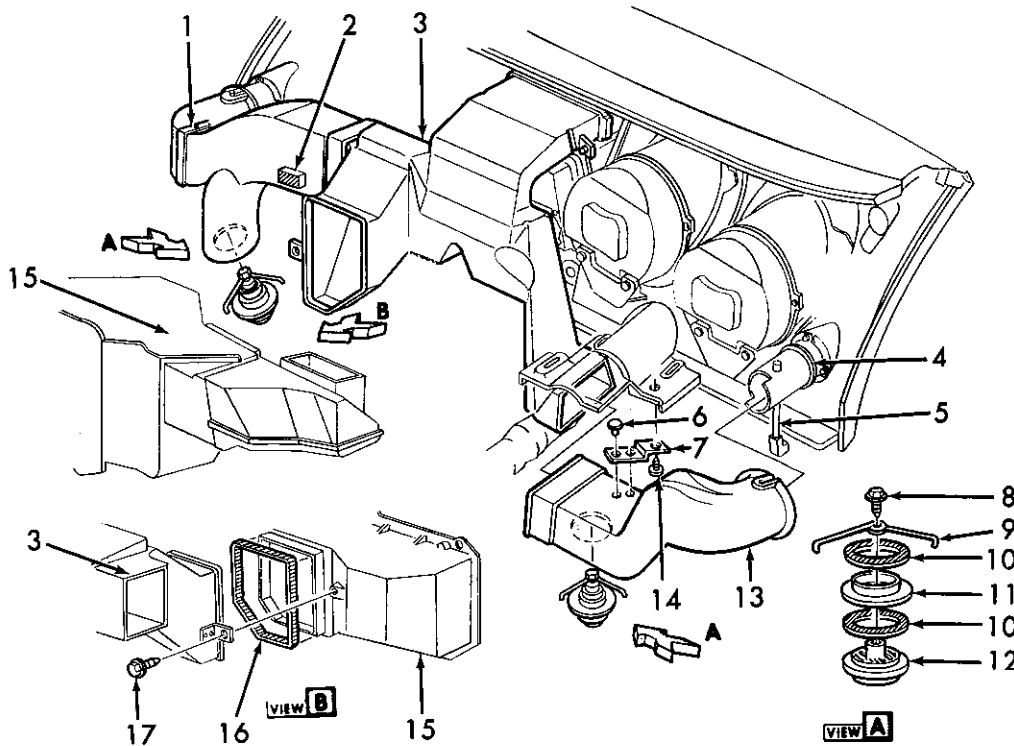
- | | | | |
|-----------------------|---------|-------------------------------|---------|
| 1. 9.262 OUTLET | 3946933 | 4. 9.262 VALVE | 3891762 |
| 2. 9.262 SPACER | 9776399 | 5. 9.746 PLATE | 6480576 |
| 3. * BEZEL | | 6. 8.977 SCREW (#10-16 x 1/2) | |

* Removed from service



1968-75 CORVETTE AIR CONDITIONING--SIDE SHROUD VACUUM CONTROL 9-42

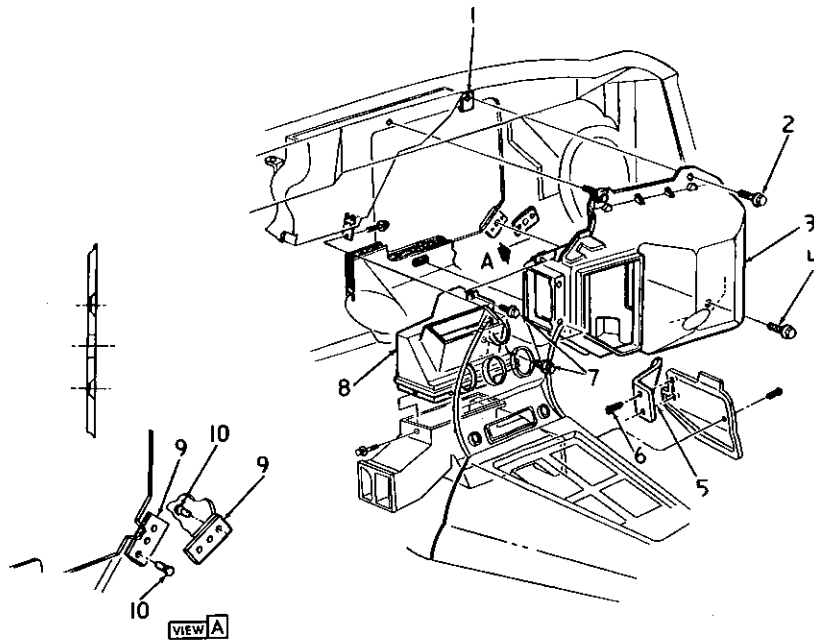
| | | | |
|------------------------|---------|---------------------------------------|---------|
| 1. 9.786 LINK | 3917318 | 6. 8.977 SCREW (1/4-14 x 5/8) | |
| 2. 9.786 ARM | 3917319 | 7. 9.789 ACTUATOR ASSY. 1968-1972 ... | 1998990 |
| 3. 8.915 NUT (#10-32) | | 1973 | 1996505 |
| 4. 8.932 WASHER (#10) | | 8. 8.921 NUT (Push on) | |
| 5. 9.786 BRACKET | 3917330 | 9. 9.786 SPRING | 3895931 |
| | | 10. 8.934 RING (5/16) | |



1968-75 CORVETTE AIR CONDITIONING SIDE OUTLET DUCTS 9-43

| | | | |
|------------------------------|------------|--------------------------------|---------|
| 1. 9.262 DUCT | 3949988 | 9. 9.264 RETAINER | 3146637 |
| 2. 9.215 SPACER | 3917329 | 10. 9.786 FELT | 3906003 |
| 3. 9.262 OUTLET (1968) | 3946933 | 11. 9.262 ADAPTER | 3906004 |
| 9.262 OUTLET (1967-71) | 3963792 | 12. 9.786 DEFLECTOR | 3906002 |
| 4. 9.786 ADAPTER | 3954533-34 | 13. 9.262 DUCT ASSY. | 3949819 |
| 5. 9.786 SHAFT ASSY. | LH 3930473 | 14. 8.977 SCREW (#10-24 x 1/2) | |
| | RH 3923114 | 15. N.L. SELECTOR ASSY. | 3937112 |
| 6. 8.997 RIVET | | 16. 9.260 SEAL | |
| 7. * BRACKET | | 17. 8.977 SCREW (#10-16 x 5/8) | |
| 8. 8.977 SCREW (#8/18 x 3/8) | | | |

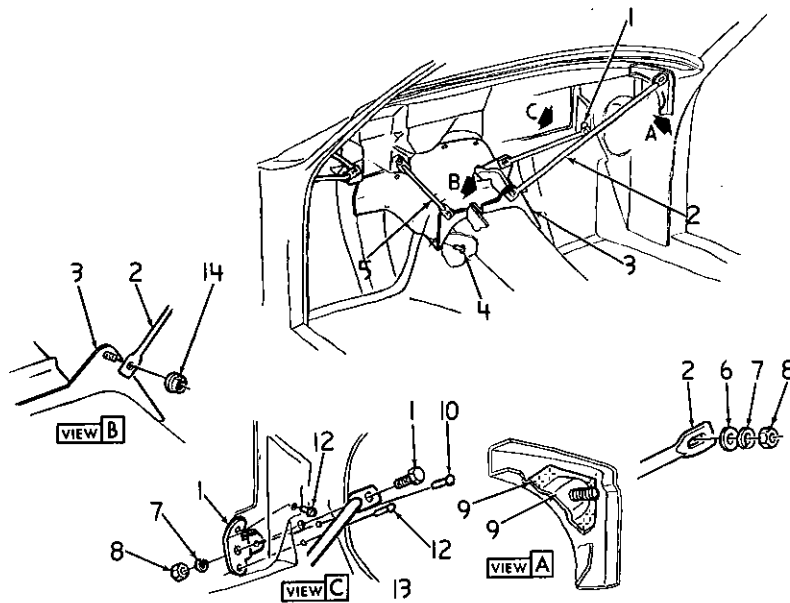
*Removed from service



9-49

1971-75 CORVETTE A/C SELECTOR AND DISTRIBUTOR

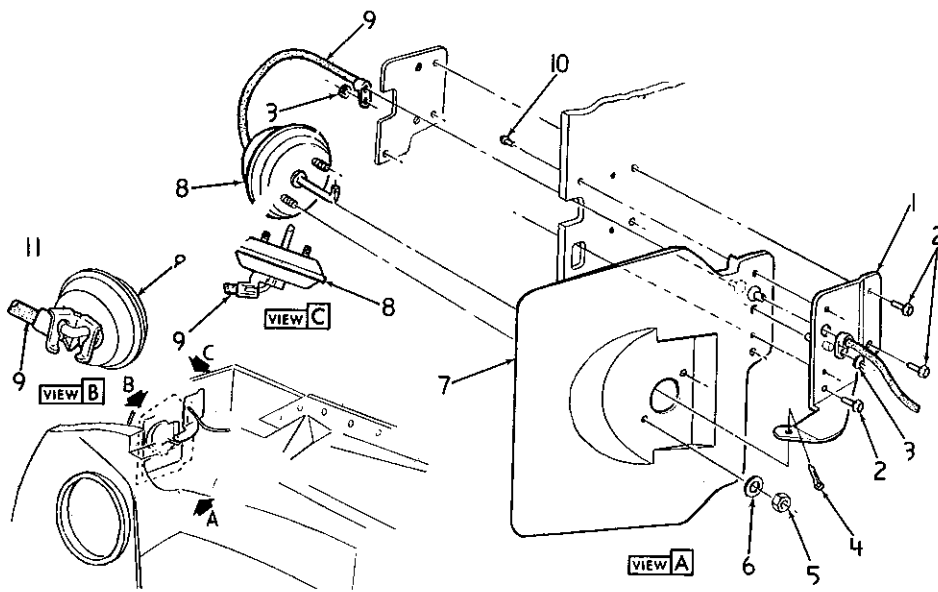
- | | | | |
|---|---------|-----------------------------|---------|
| 1. 1.276 NUT—"U" | 3915336 | 6. 8.977 SCREW (8-18) | |
| 2. 8.977 SCREW (1/4-14) | | 7. 8.977 SCREW (10-16) | |
| 3. N.L. DUCT ASSY. | | 8. 9.786 DUCT ASSY. | 3946979 |
| 4. 8.977 SCREW (1/4-14 x 1 1/4) | | 9. 8.857 PLATE | 3918537 |
| 5. 14.655 COVER (Paint as required) | 3966356 | 10. 8.967 RIVET | |



9-50

1971-75 CORVETTE A/C UNDER DASH BRACE RODS

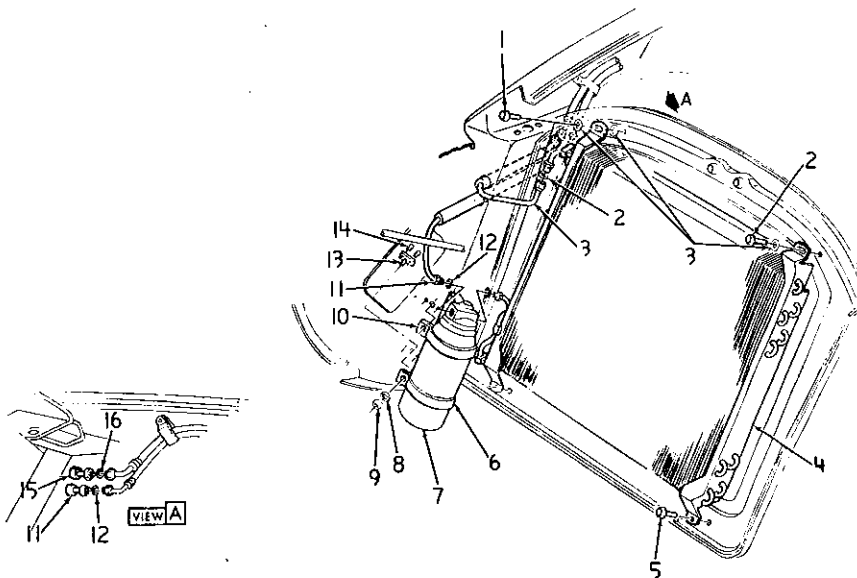
- | | | | |
|---------------------------------------|---------|-------------------------------|---------|
| 1. 12.934 PLATE | 3942746 | 8. 8.915 NUT (3/8-16) | |
| 2. 12.840 BRACE | 3947940 | 9. 12.840 PLATE ASSY. | 3947941 |
| 3. 10.240 REINFORCEMENT ASSY. | 3942727 | 10. 8.967 RIVET | |
| 4. 8.967 RIVET | | 11. 8.900 BOLT (3/8-16) | |
| 5. 6.760 BRACE | 3958305 | 12. 8.967 RIVET | |
| 6. 8.929 WASHER | | 13. 10.240 BRACE | 3942731 |
| 7. 8.931 WASHER (3/8) | | 14. 8.915 NUT (3/8-16) | |



9-51

1971-74 CORVETTE A/C PLENUM VALVE

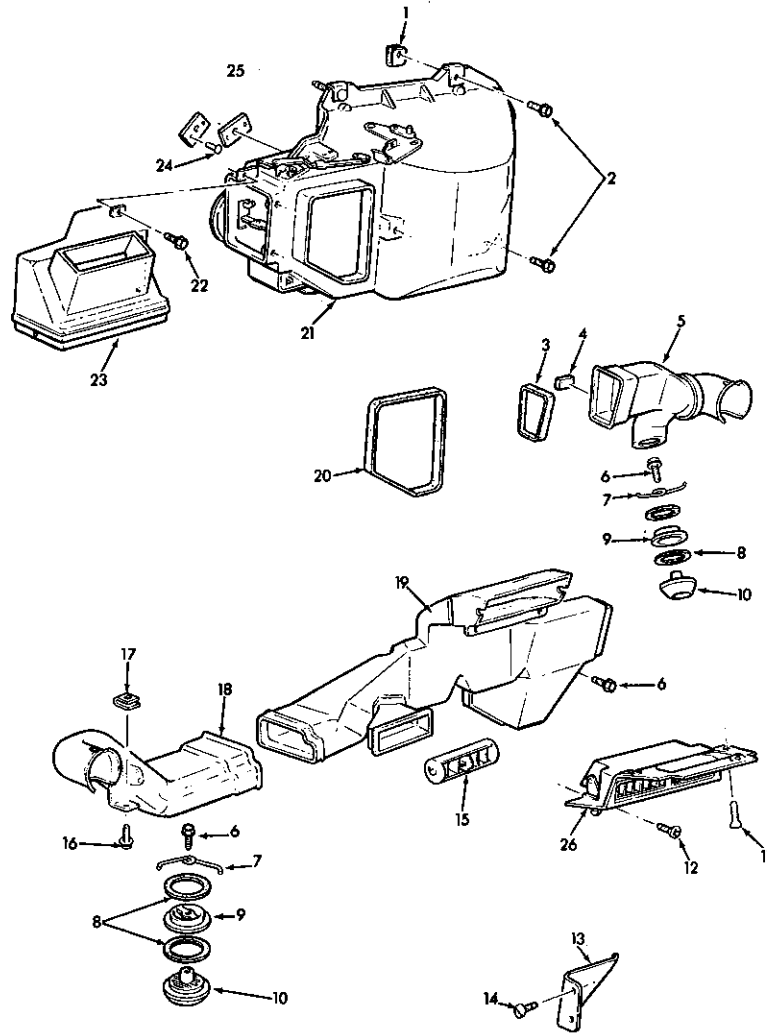
| | | | | | | | |
|----|-------|-------------------------|---------|-----|-------|----------------|---------|
| 1. | 9.786 | BRACKET | 3942619 | 7. | 9.782 | VALVE | 3942618 |
| 2. | 8.977 | SCREW | 9419321 | 8. | 9.280 | ACTUATOR ASSY. | 1996503 |
| 3. | 8.921 | NUT (5/32) | | 9. | 9.220 | HOSE | 3984652 |
| 4. | 8.938 | COTTER PIN (1/16 x 1/2) | | 10. | 8.967 | RIVET | |
| 5. | 8.915 | NUT (10-32) | | 11. | N.S. | CLIP | |
| 6. | 2.401 | WASHER | 3904222 | | | | |



9-52

1971-72 CORVETTE A/C CONDENSER, RECEIVER AND DEHYDRATOR

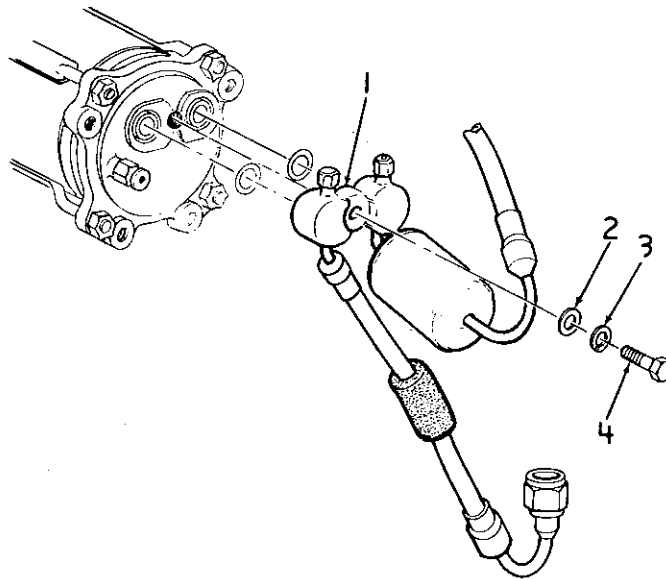
| | | | | | | | |
|----|-------|---------------------------|---------|-----|-------|---------------------|---------|
| 1. | 8.900 | BOLT (5/16-18 x 1 5/8) | | 10. | 9.195 | BRACKET ASSY.-Upr. | 3849849 |
| 2. | 9.214 | GASKET "O" RING | | 11. | 8.964 | TUBING | |
| 3. | 8.964 | (Cut from Bulk) | | | 8.963 | FITTING | |
| 4. | 9.190 | CONDENSER ASSY. | 3949932 | 12. | 9.211 | GASKET "O" RING | 8526398 |
| 5. | 8.977 | SCREW (1/4-14 x 3/4) | | 13. | 8.857 | BRACKET | 3840474 |
| 6. | 9.196 | BRACKET | 3840341 | 14. | 8.967 | RIVET (3/16 x 7/16) | |
| 7. | 9.195 | RECEIVER-DEHYDRATOR ASSY. | 3012944 | 15. | 8.964 | TUBING | |
| 8. | 8.931 | WASHER (1/4) | | | 8.963 | FITTING | |
| 9. | 8.915 | NUT (1/4-20) | | 16. | 9.214 | GASKET "O" RING | 3140600 |



9-344

1974-75 CORVETTE A/C OUTLETS

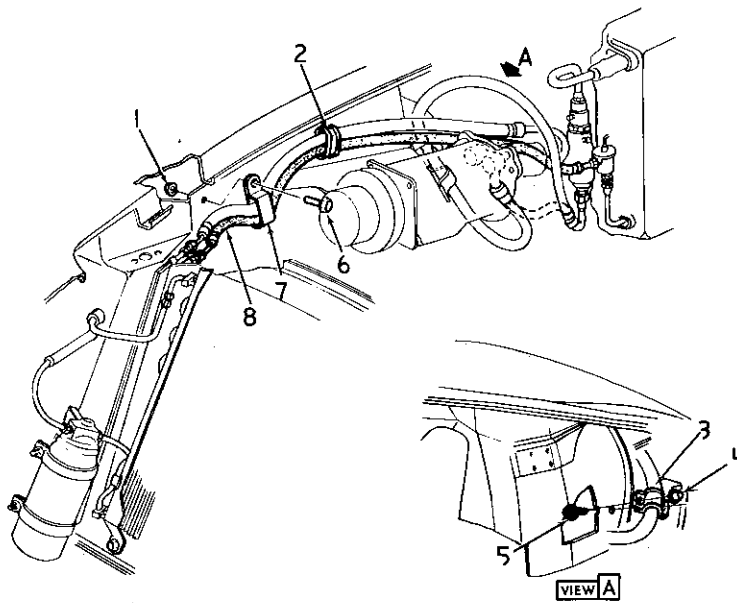
| | | | | | | | |
|-----|--------|--|----------|-----|-------|--|---------|
| 1. | 1.276 | NUT, rad. shroud | 3915336 | 14. | 8.977 | SCREW (8-18 x 3/8) | |
| 2. | 9.262 | SCREW, heater and air cond. air seal evap., blower and seal (1/4"-14 x 1-1/4") | 3906007 | 15. | 9.262 | DEFLECTOR ASSY., air lower outlet duct | 336470 |
| 3. | 9.260 | SEAL, air side outlet | 3989803 | 16. | 8.977 | SCREW (10-16 x 1/2) | |
| 4. | 9.215 | SPACER, air side outlet duct | 3917329 | 17. | 8.921 | NUT (#10-12) | |
| 5. | 9.262 | DUCT ASSY., a/c evap. air side outlet (L.H. & R.H.) | 331947-8 | 18. | 9.262 | DUCT ASSY., left, air side outlet | 3949987 |
| 6. | 8.977 | SCREWS (#8-18 x 3/8) | | 19. | 9.262 | OUTLET ASSY., a/c air dist. duct | 336471 |
| 7. | 9.264 | RETAINER, side grille | 3146637 | 20. | 9.260 | SEAL, air distributor duct center (1/2 x 1/2 thk.) | 3937112 |
| 8. | 9.786 | FELT, a/c air dist. duct deflector | 3906003 | 21. | 9.786 | DUCT ASM., heater & a/c air | 6262674 |
| 9. | 9.262 | ADAPTER ASSY., air dist. duct | 3906004 | 22. | 8.977 | SCREW (10-16 x 5/8) | |
| 10. | 9.786 | DEFLECTOR, a/c air dist. duct deflector. | 3906002 | 23. | 9.786 | DUCK ASSY., heater air dist. | 3946979 |
| 11. | 8.977 | SCREW, oval (8-32 x 5/8) | | 24. | 8.967 | RIVET (1/8 x 5/16) | |
| 12. | 8.977 | SCREW (#10-16 x 1/2) | | 25. | 8.857 | PLATE, air sel. duct mtg. | 3918537 |
| 13. | 14.655 | COVER, side trim (Paint as reqd.) | 333550 | 26. | 9.746 | BEZEL ASSY., a/c air dist. duct center outlet | 6499566 |



9-53

1971-74 CORVETTE A/C FITTING AND MUFFLER ASSY.

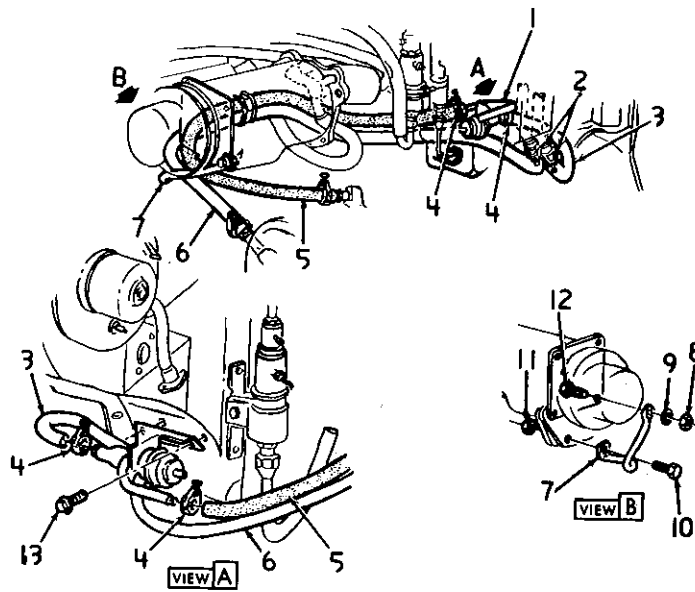
| | | | |
|--------------------------------|---------|--|--------|
| 1. 9.226 COMPRESSOR FTG. (350) | | 9.226 COMPRESSOR FTG. (454) | |
| 1971-72 | 3998438 | 1973 | 340407 |
| 9.226 COMPRESSOR FTG. (454) | | 9.226 COMPRESSOR FTG. 1974 | 340404 |
| 1971-72 | 3998472 | 2. 8.929 WASHER (13/32 x 13/16 x 5/64) | |
| 9.226 COMPRESSOR FTG. (350) | | 3. 8.931 WASHER (3/8) | |
| 1973 | 328277 | 4. 8.900 BOLT (3/8-24 x 1 3/8) | |



9-54

1971-72 CORVETTE A/C REFRIGERANT HOSES

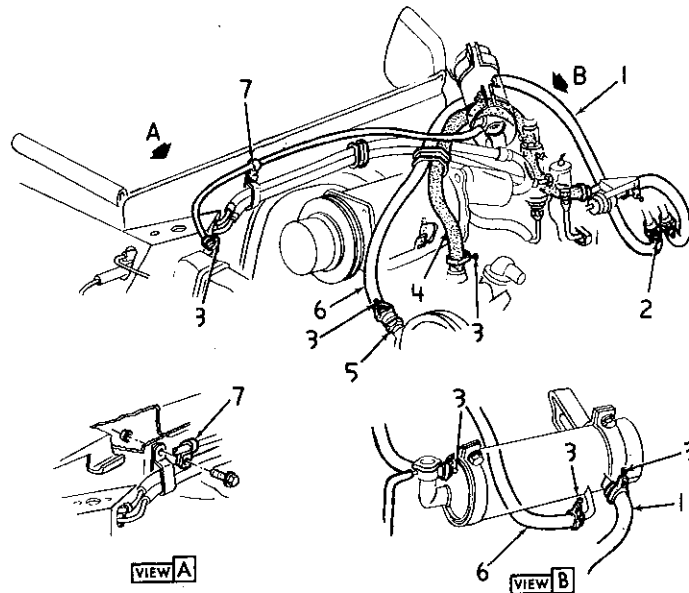
| | | | |
|-------------------------|---------|---------------------------------|---------|
| 1. 9.782 NUT ASSY. | 3866846 | 5. 8.977 SCREW (1/4-14 x 3/4) | |
| 2. 8.950 CLIP | | 6. 8.900 SCREW (1/2-20 x 11/16) | |
| 3. 9.242 CLAMP | 3925746 | 7. 8.950 CLIP | |
| 4. N.S. PLUG | | 8. 9.220 TUBE ASSY. | 3949930 |



9-55

1970-73 CORVETTE A/C HEATER HOSES & WATER VALVE

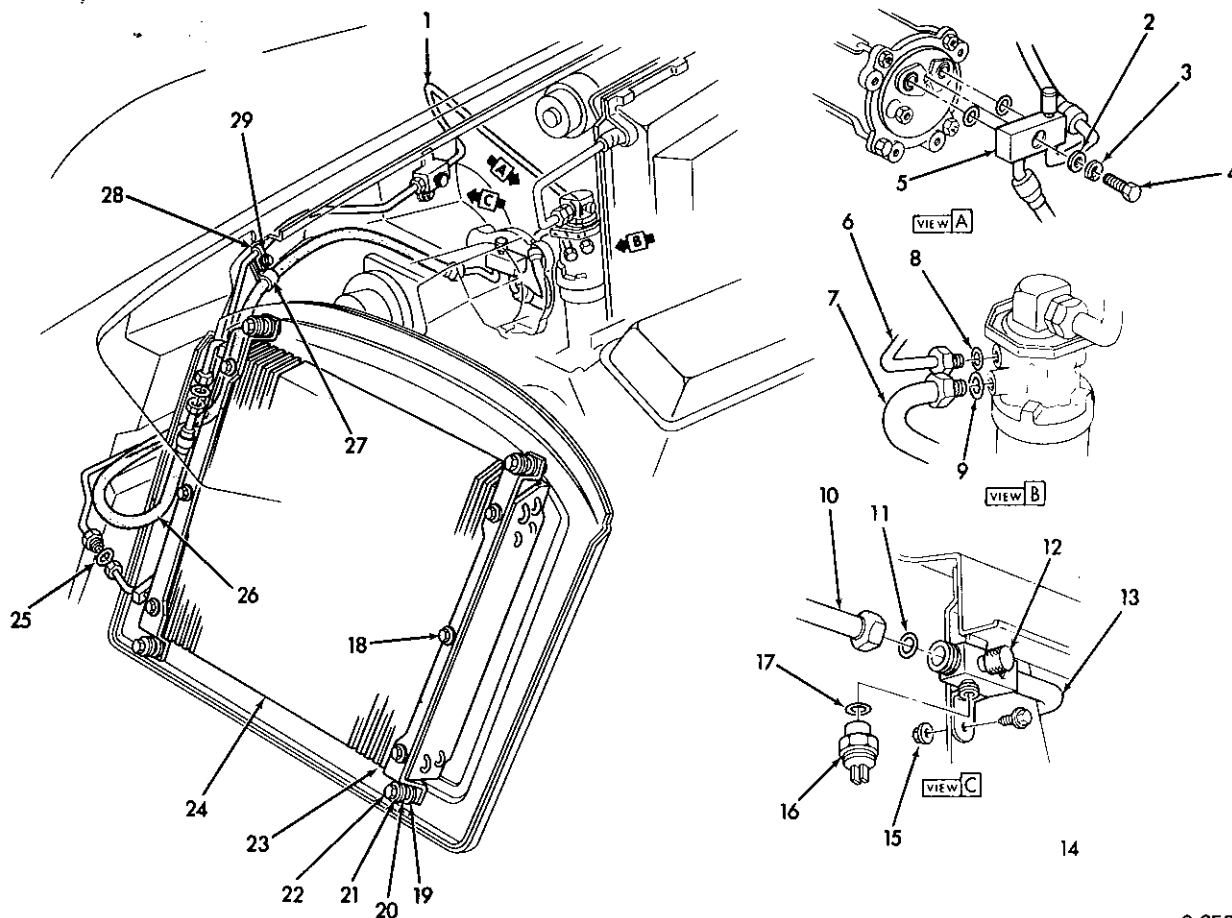
| | | | | | | |
|----|-------|------------------------|---------|-----|-------|------------------------|
| 1. | 9.795 | VALVE ASSY. (1970) | 3984642 | 8. | 8.917 | NUT (5/16-24) |
| 2. | 1.166 | CLAMP | 1470030 | 9. | 8.931 | WASHER (5/16) |
| 3. | 8.962 | HOSE (Cut as required) | | 10. | 8.900 | BOLT |
| 4. | 1.166 | CLAMP | 3749810 | 11. | 8.917 | NUT (3/8-16) |
| 5. | 8.962 | HOSE (Cut as required) | | 12. | 8.900 | BOLT (5/16-24 x 1 1/4) |
| 6. | 8.962 | HOSE (Cut as required) | | 13. | 8.977 | SCREW (10-16 x 5/8) |
| 7. | 9.242 | CLIP | 3853968 | | | |



9-56

1970-74 CORVETTE A/C AND HEATER HOSE

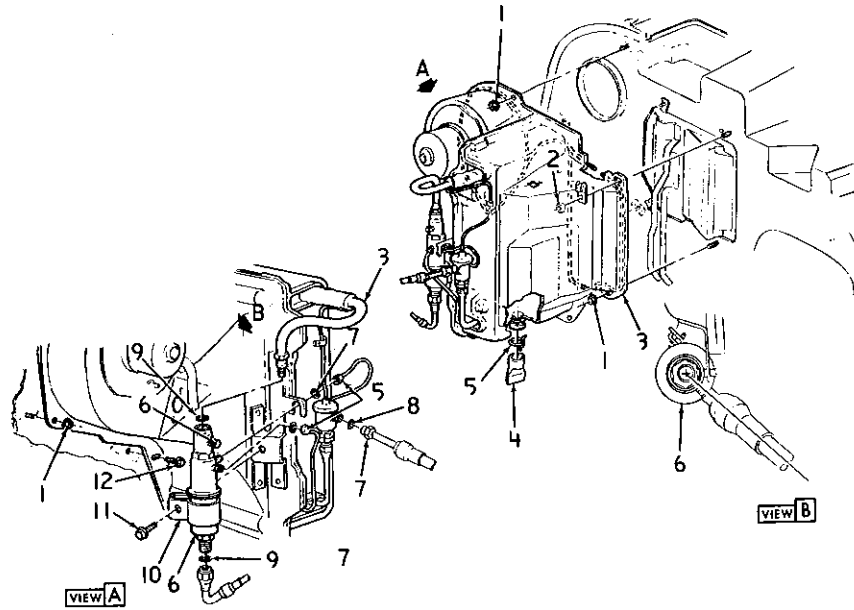
| | | | | | | | |
|----|-------|------------------------|---------|----|-------|------------------------|---------|
| 1. | 8.962 | HOSE (Cut as required) | | 5. | 8.866 | NIPPLE | 3849848 |
| 2. | 1.166 | CLAMP—Hose | 1470030 | 6. | 8.962 | HOSE (Cut as required) | |
| 3. | 1.166 | CLAMP | 3749810 | 7. | 8.950 | CLIP (5/8) | |
| 4. | 8.962 | HOSE (Cut as required) | | | | | |



9-353

1974-75 CORVETTE A/C HOSE ROUTING

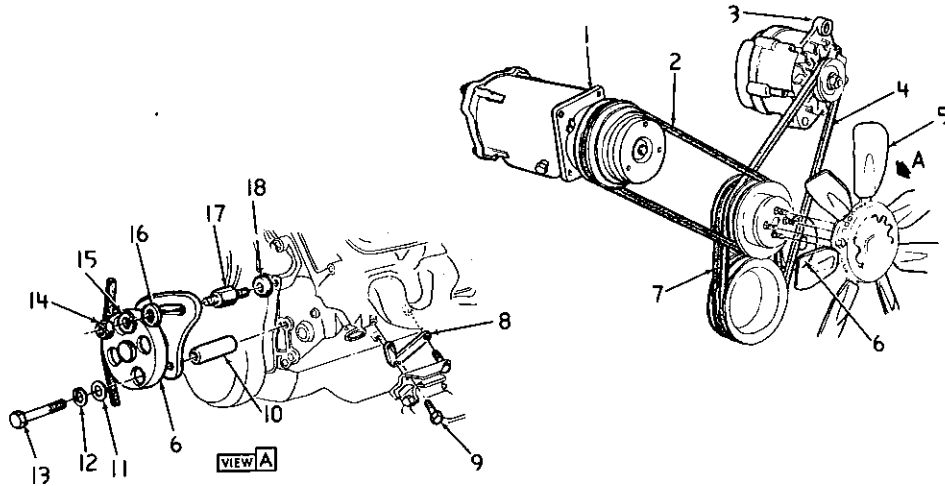
- | | |
|---|--|
| 1. 9.225 TUBE ASSY. - A/C Blower and Evaporator Inlet | 16. 9.275 SWITCH ASSY. - A/C Cmpr. Cut off press |
| 2. 8.929 WASHER - 13/32 x 13/16 x 5/64 | 17. 9.211 GASKET - "O" Ring 5/16 ID |
| 3. 8.931 WASHER - 3/8 | 18. 9.190 SCREW - Special A/C Condensor Brkt. |
| 4. 8.900 BOLTS - 3/8 - 24 x 1-3/8 | 19. 4.037 BUSHING and SLEEVE UNIT |
| 5. 9.226 FITTING ASSY. - A/C Compressor | 20. 4.037 BUSHING - A/C Condensor |
| 6. 9.225 TUBE ASSY. - A/C Blo and Evap. Inl. | 21. 4.019 WASHER 21/64 x 7/8 |
| 7. 9.226 FITTING ASSY. - A/C Compressor | 22. 8.977 SCREW - Hex Hd. - 1/4-14 x 1 |
| 8. 9.211 GASKET - "O" Ring 5/16 O.D. | 23. 9.190 BRACKET - A/C Condensor |
| 9. 9.211 CONTROL VALVE - Outlet Tube | 24. 9.190 CONDENSOR ASSY. - A/C |
| 10. 9.260 TUBE ASSY. - A/C Outlet | 25. 9.211 GASKET - "O" Ring 5/16 ID |
| 11. 9.211 GASKET - "O" Ring 5/16 O.D. | 26. 9.226 FITTING ASSY. - A/C Compressor |
| 12. 9.198 CAP ASSY. - A/C Receiver Inlet | 27. 3.680 CLIP - Special |
| 13. 9.225 TUBE ASSY. - A/C Blower Evaporator Inlet | 28. 6.672 CLIP - 3/8x11/32 |
| 14. 8.977 SCREW 10-24 | 29. 9.782 NUT - 1/4-20 |
| 15. 8.915 NUT | 8.900 BOLT - 1/4 - 20 x 3/4 |



9-57

1971-72 CORVETTE A/C EVAPORATOR AND REFRIGERANT CONTROL VALVE

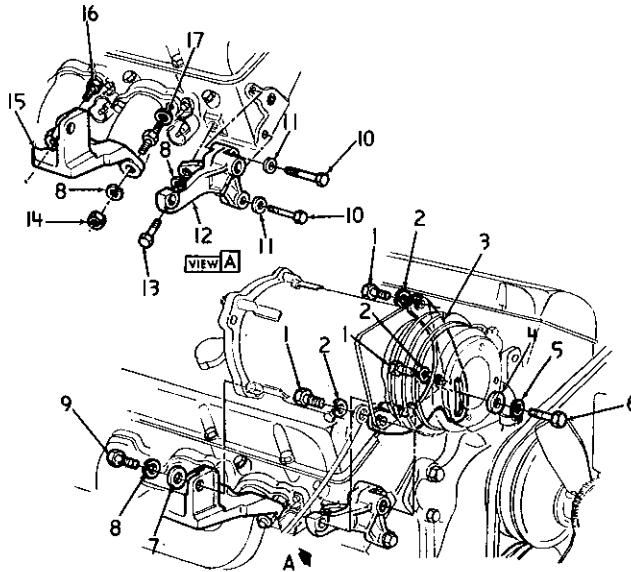
| | | | |
|-------------------------------------|---------|--------------------------------|---------|
| 1. 8.915 NUT | | 7. 9.214 SEAL "O" RING | 8526645 |
| 2. 8.915 NUT (1/4-20) | | 8. 9.211 GASKET "O" RING | 8526398 |
| 3. N.S. EVAPORATOR AND BLOWER ASSY. | | 9. 9.211 GASKET "O" RING | 3140852 |
| 4. 9.211 TUBE DRAIN | 3021960 | 10. 9.199 BRACKET | 3923186 |
| 5. 1.166 CLAMP | 2471945 | 11. 8.977 SCREW (1/4-14 x 5/8) | |
| 6. 9.198 VALVE ASSY. | 5910593 | 12. 8.977 SCREW (1/4-14 x 1) | |



9-58

1971-73 CORVETTE A/C ENGINE, MOUNTING COMPRESSOR, FAN, BELTS AND PULLEYS (454)

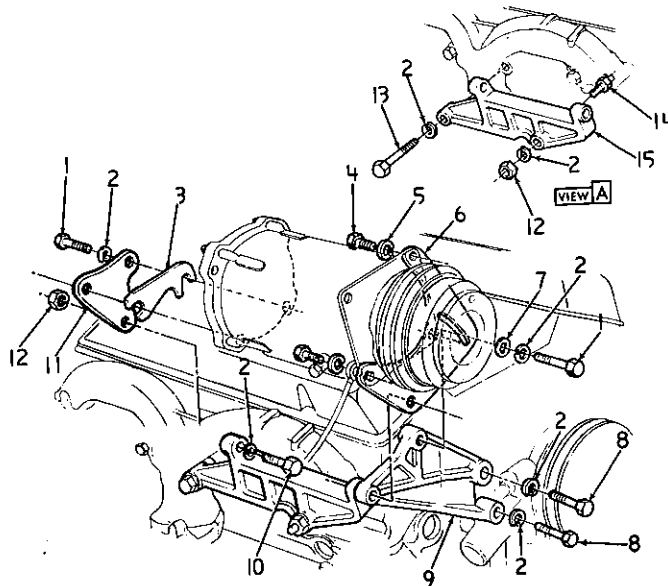
| | | | |
|----------------------------|---------|----------------------------------|---------|
| 1. N.S. COMPRESSOR ASSY. | | 10. 1.060 SPACER | 3952335 |
| 2. 1.066 BELT | 3999272 | 11. 8.929 WASHER (15/32 x 7/8) | |
| 3. 2.275 GENERATOR ASSY. | 1100554 | 12. 8.931 WASHER (7/16) | |
| 4. 1.066 BELT | 3861946 | 13. 8.900 BOLT (7/16-14 x 3 1/3) | |
| 5. 1.064 BLADE ASSY. | 3992095 | 14. 8.915 NUT | |
| 6. 1.062 PULLEY ASSY. | 3952332 | 15. 8.931 WASHER (3/8) | |
| 7. 1.066 BELT | 3952336 | 16. 8.929 WASHER | |
| 8. 0.002 SHIM | 3910756 | 17. 1.073 STUD | 3925596 |
| 9. 8.900 BOLT (3/8-16 x 1) | | 18. 1.060 SPACER | 3925594 |



9-59

1971-74 CORVETTE A/C COMPRESSOR MOUNTING (454)

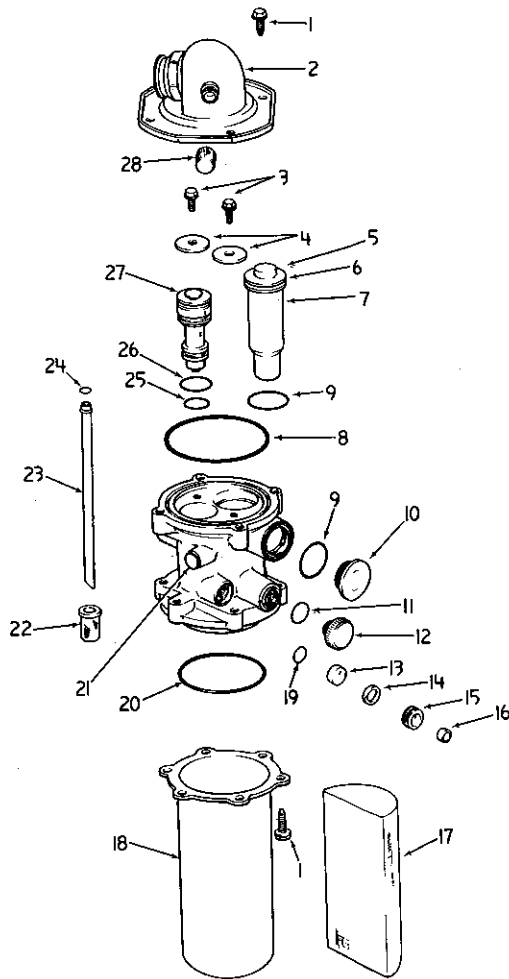
- | | | | |
|-----------------------------------|---------|-----------------------------------|---------|
| 1. 8.900 BOLT (3/4) | | 9. 8.900 BOLT (3/8-16 x 1 1/4) | |
| 2. 8.931 WASHER (5/16) | | 10. 8.900 BOLT (7/16-14 x 2 1/2) | |
| 3. 9.171 SUPPORT ASSY: | 3887167 | 11. 8.931 WASHER (7/16) | |
| 4. 8.929 WASHER (1/2) | | 12. 9.171 BRACKET—Front | 3894362 |
| 5. 8.931 WASHER | | 13. 8.900 BOLT | |
| 6. 8.900 BOLT (1/2-13 x 1 1/2) | | 14. 8.916 NUT | |
| 7. 8.929 WASHER (3/8 x 3/4 x 1/8) | | 15. 9.171 BRACKET—Rear | 3894364 |
| 8. 8.931 WASHER (3/8) | | 16. 3.275 STUD | 3928906 |



9-78

1971-75 CORVETTE A/C COMPRESSOR MOUNTING (350)

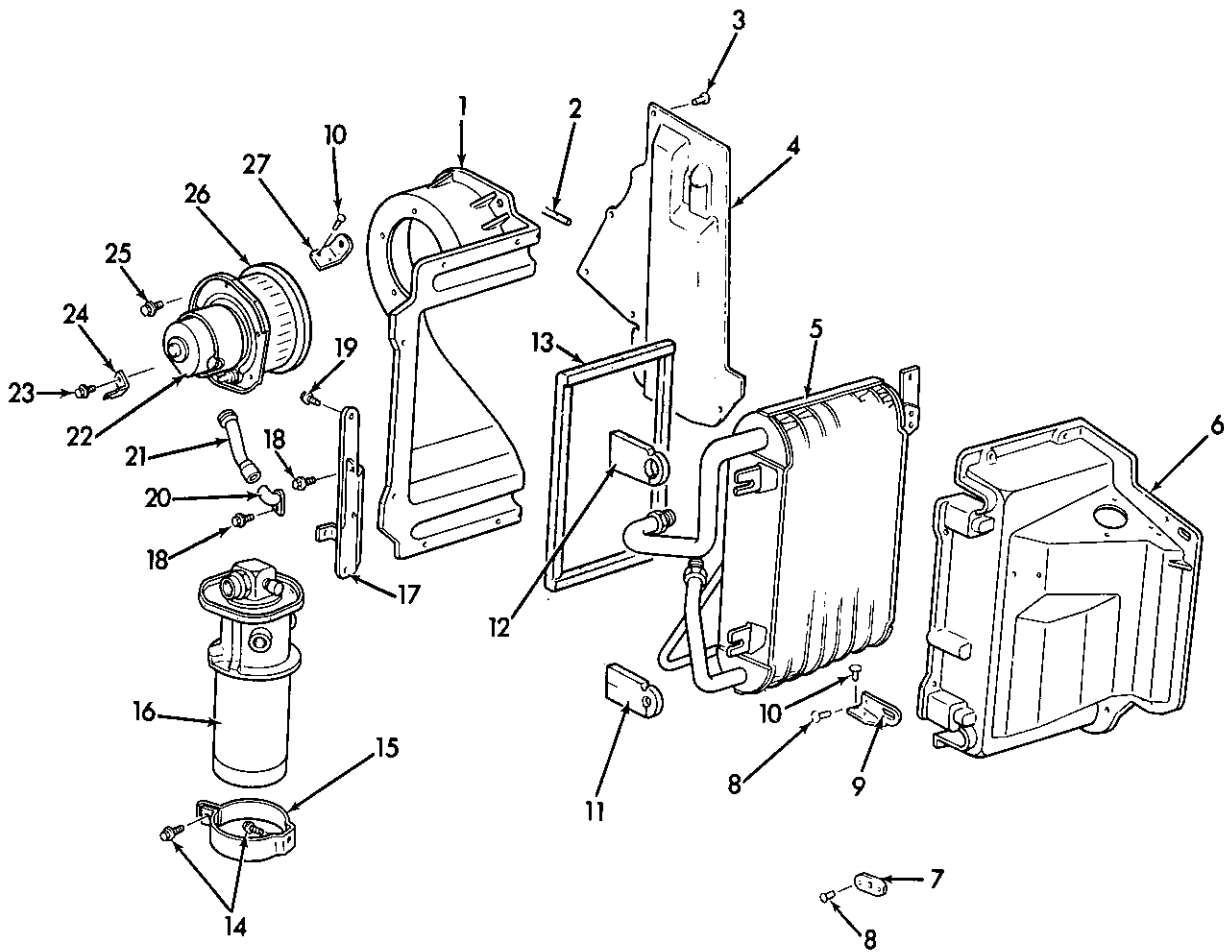
- | | | | |
|--------------------------------------|---------|----------------------------------|---------|
| 1. 8.900 BOLT (3/8-16 x 1) | | 9. 9.171 SUPPORT—Frt. | 3841697 |
| 2. 8.931 WASHER (3/8) | | 10. 8.900 BOLT (3/8-16 x 1 1/4) | |
| 3. 9.171 SHIM | 3852876 | 11. 9.171 BRACKET—Rear | 3841699 |
| 4. 8.900 BOLT (3/4) | | 12. 8.917 NUT (3/8-16) | |
| 5. 8.931 WASHER (5/16) | | 13. 3.275 BOLT | 3841724 |
| 6. 9.171 BRACKET—Frt. | 3841698 | 14. 3.275 STUD | 3932448 |
| 7. 8.929 WASHER (13/32 x 3/4 x 3/16) | | 15. 9.171 SUPPORT—Rear | 3878222 |
| 8. 8.900 BOLT (3/8-16 x 3 1/2) | | | |



9-394

1973-75 CORVETTE VALVE AND RECEIVER ASM.

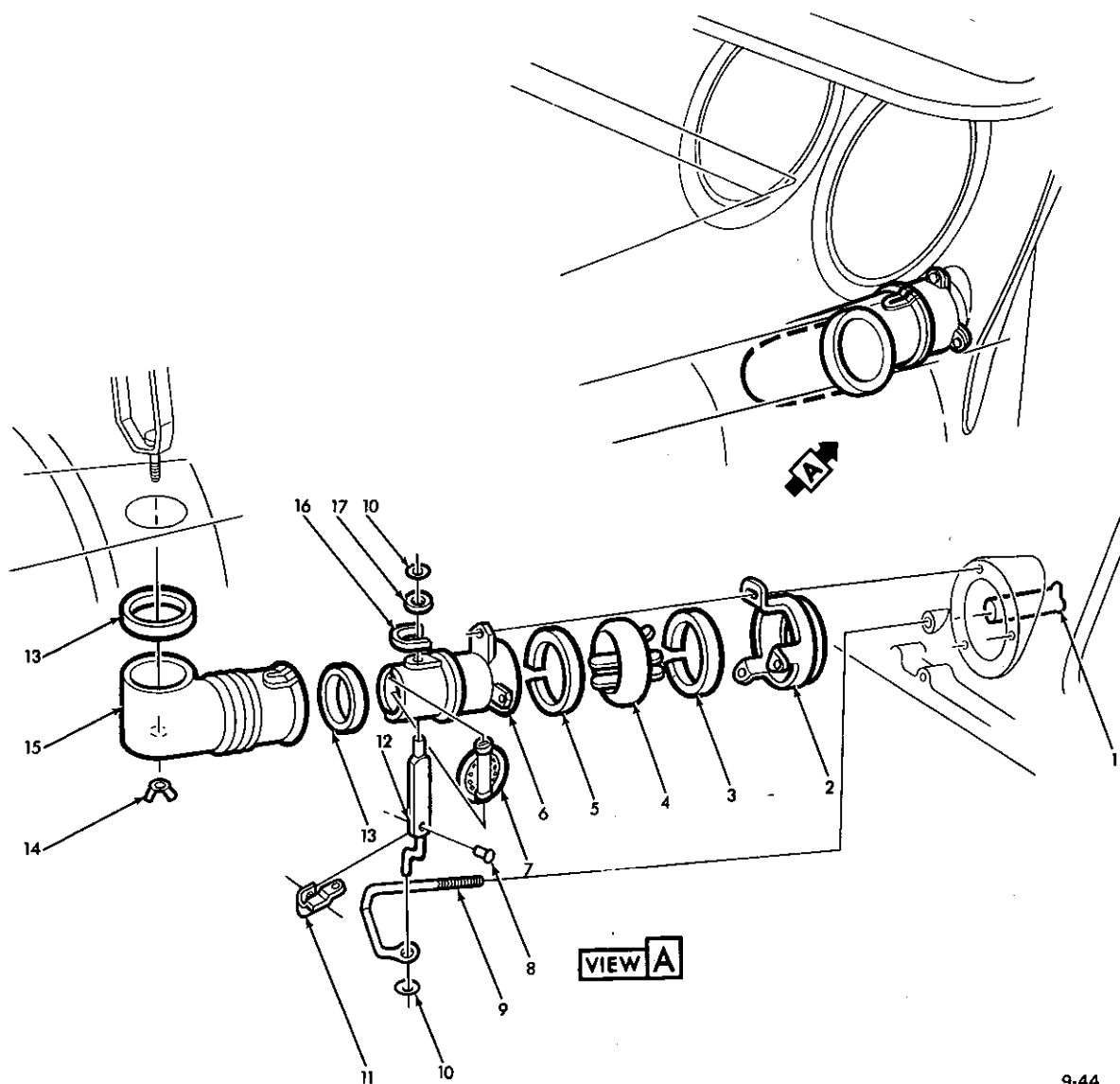
| | | | |
|-------------------------------------|---------|--|---------|
| 1. 9.195 SCREW-REC. SHELL MTG. | 6599452 | 15. N.S.S. PART OF NO. 13 | |
| 2. 9.195 SHELL ASM. | 6599443 | 16. N.S.S. PART OF NO. 13 | |
| 3. 9.214 SCREW & WASHER ASM. | 6599466 | 17. 9.195 DESICANT-A/C DRIER KIT | 6599449 |
| 4. N.S.S. PART OF ITEM NO. 3 | | 18. 9.195 RECEIVER SHELL | 6599448 |
| 5. 9.210 BAFFLE P.O.A. VALVE | 6599453 | 19. 9.202 SEAL-O RING | 6599462 |
| 6. 9.196 SEAL RING | 6599457 | 20. 9.196 SEAL RING | 6599460 |
| 7. 9.198 VALVE | 6599444 | 21. 9.195 HOUSING | 6599446 |
| 8. 9.196 SEAL RING | 6599456 | 22. 9.195 SCREEN | 6599455 |
| 9. 9.214 SEAL RING | 6599459 | 23. 9.195 TUBE | 6599450 |
| 10. N.S. PLUG | | 24. 9.196 SEAL RING | 6599461 |
| 11. 9.214 SEAL RING | 6599463 | 25. 9.214 SEAL RING | 6599459 |
| 12. N.S. PLUG | | 26. 9.214 SEAL RING | 6599458 |
| 13. 9.202 GLASS-A/C SIGHT KIT | 6599451 | 27. 9.213 VALVE | 6599445 |
| 14. N.S.S. PART OF NO. 13 | | 28. 9.198 CAP ASM. | 5911737 |



9-396

1974-75 CORVETTE EVAPORATOR AND BLOWER ASSY.

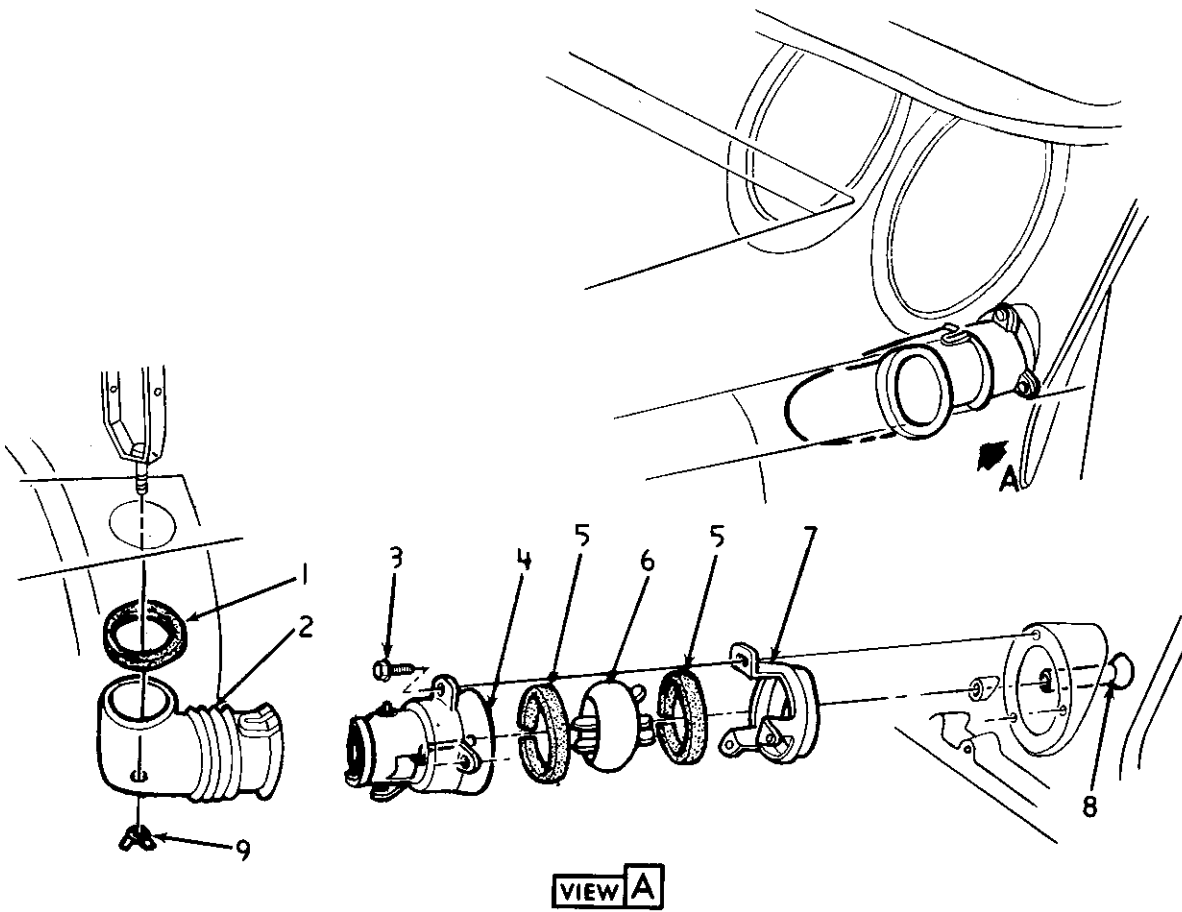
| | | | |
|-----|-------|--|---------|
| 1. | N.S. | CASE ASSY - (Part of Assy. 3028098) | |
| 2. | 9.211 | SEAL - Air Cond. Evap. Case - (Cut from 3015129) | 6262648 |
| 3. | N.S. | RIVET (8.967) (Part of Assy. 3028098) | |
| 4. | N.S. | BACK PLATE (Part of Assy. 3028098) | |
| 5. | 9.210 | CORE ASSY. w/fitting | 3028107 |
| 6. | 9.211 | PLATE ASSY. - Outlet, w/plate Assy. | 3028098 |
| 7. | N.S. | BRACKET (Part of plate Assy. 3028098) | 3014863 |
| 8. | N.S. | RIVET (8.967) (Part of plate Assy. 3028098) | |
| 9. | N.S. | BRACKET (Part of plate Assy. 3028098) | 3016633 |
| 10. | N.S. | RIVET (8.967) (Part of plate Assy.) | |
| 11. | 9.211 | GROMMET, Inlet Pipe | 3014861 |
| 12. | 9.211 | GROMMET, Outlet Pipe | 3014860 |
| 13. | 9.211 | SEAL, Core to Case | 3014820 |
| 14. | 8.977 | SCREW - Hex (1/4 - 14 x 3/4) | |
| 15. | 9.196 | BRACKET - A/C Receiver and Valve to Blower and Evap. | 3984667 |
| 16. | 9.195 | VALVES - In Receiver Assy. | 6598830 |
| 17. | 9.196 | BRACKET - Evap. Mounting V.I.R. | 3028097 |
| 18. | 8.977 | SCREW - Hex (8-18 x 1/2) PC | |
| 19. | 8.977 | SCREW | |
| 20. | 9.218 | ELBOW - Motor Cooling | 3013475 |
| 21. | 9.218 | TUBE - Motor Cooling | 3014788 |
| 22. | 8.855 | MOTOR ASSY. - A/C Blower | 4960538 |
| 23. | 8.977 | SCREW - Hex (8-18 x 1/2) ZC | |
| 24. | N.S. | TERMINAL - A/C Blo Mtr. (Part of Assy.) | 6402685 |
| 25. | 8.977 | SCREW - Large Hex (8-18 x 1/2) AB/ZB | 3154512 |
| 26. | 8.857 | FAN. | 3027031 |
| 27. | N.S. | (Part of Case Assy. 3024681) | |



9-44

1968 CORVETTE ASTRO VENTILATION

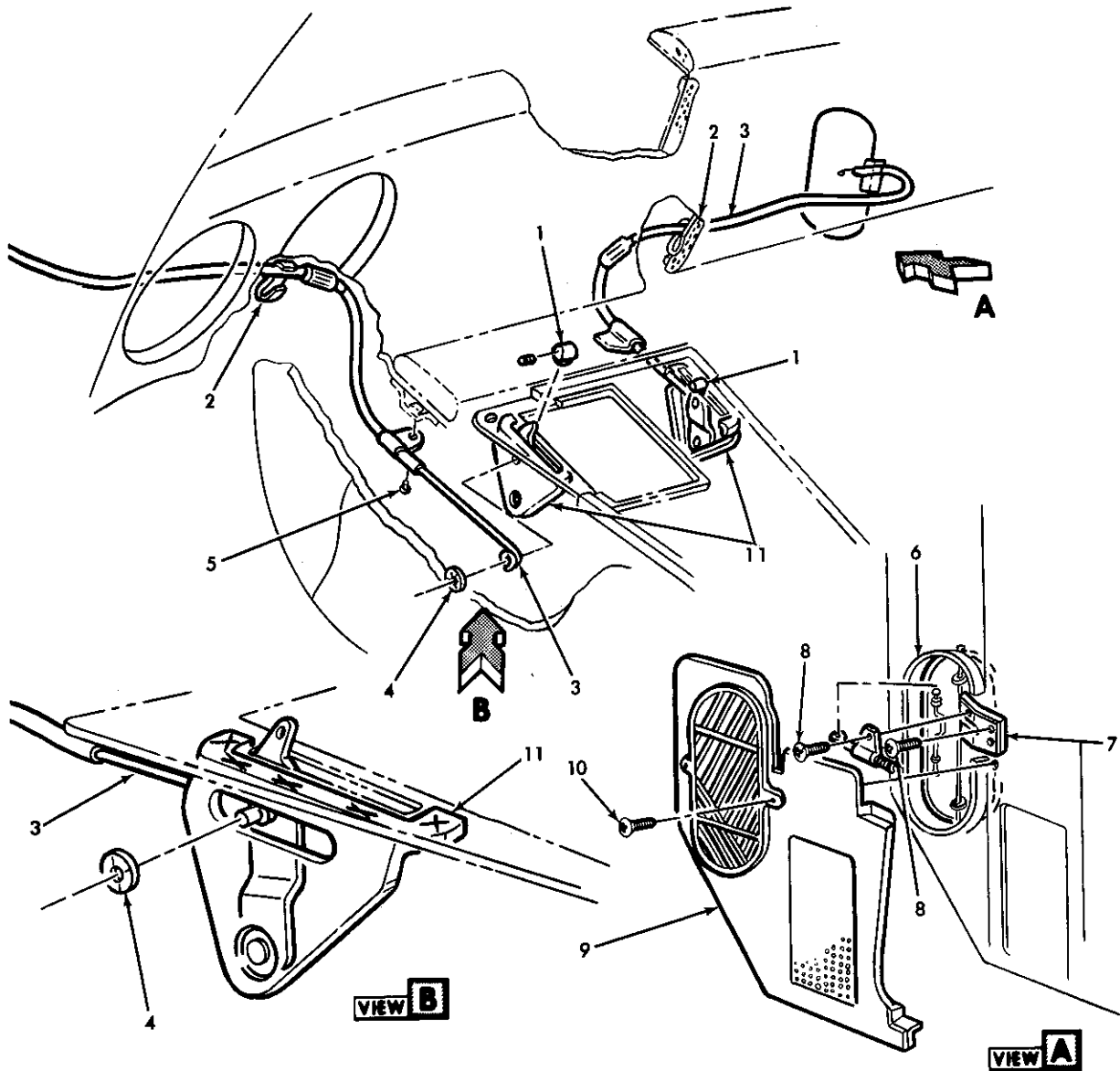
| | | | | | |
|----------|--------------|---------|-----------|--------------------|---------|
| 1. 9.787 | KNOB—Chart | 3925783 | 10. 8.921 | NUT (5/32) | |
| 2. 9.782 | RETAINER | 3919505 | 11. 9.786 | SPRING—L.H. | 3940593 |
| 3. 9.260 | SEAL | 3919562 | | SPRING—R.H. | 3940594 |
| 4. 9.262 | DEFLECTOR | 3856472 | 12. 9.786 | SHAFT—L.H. | 3930473 |
| 5. 9.260 | SEAL | 3919562 | | SHAFT—R.H. | 3923114 |
| 6. 9.786 | ADAPTER—L.H. | 3940595 | 13. 9.786 | SEAL | 3937111 |
| | ADAPTER—R.H. | 3940596 | 14. 8.920 | NUT—WING (#10-32) | |
| 7. 9.786 | DOOR | 3940579 | 15. 9.786 | DUCT—L.H. | 3940601 |
| 8. 8.967 | RIVET (3/16) | | | DUCT—R.H. | 3940602 |
| 9. 9.786 | ROD—L.H. | 3940591 | 16. 9.786 | SEAL | 3940611 |
| | ROD—R.H. | 3940592 | 17. 8.927 | SPL. WASHER (3/16) | |



9-79

1971-75 CORVETTE AIR SIDE OUTLET

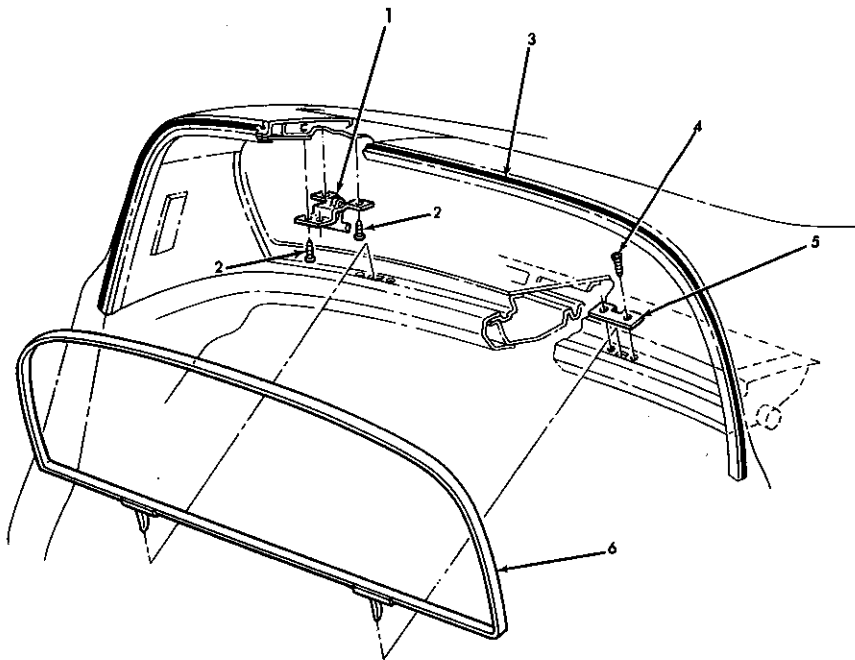
| | | | |
|-----------------------------|------------|------------------------------|---------|
| 1. 9.786 SEAL | 3937111 | 6. 9.262 DEFLECTOR | 3856472 |
| 2. 9.786 DUCT | 3956313-14 | 7. 9.782 RETAINER | 3919505 |
| 3. 8.977 SCREW (8-18 x 5/8) | | 8. 10.559 KNOB | 8740200 |
| 4. 9.786 ADAPTER | 3954533-34 | 9. 8.920 NUT—Wing (10-24) | |
| 5. 9.260 SEAL | 3937189 | | |



9-45

1968 CORVETTE COWL VENTILATOR CONTROLS

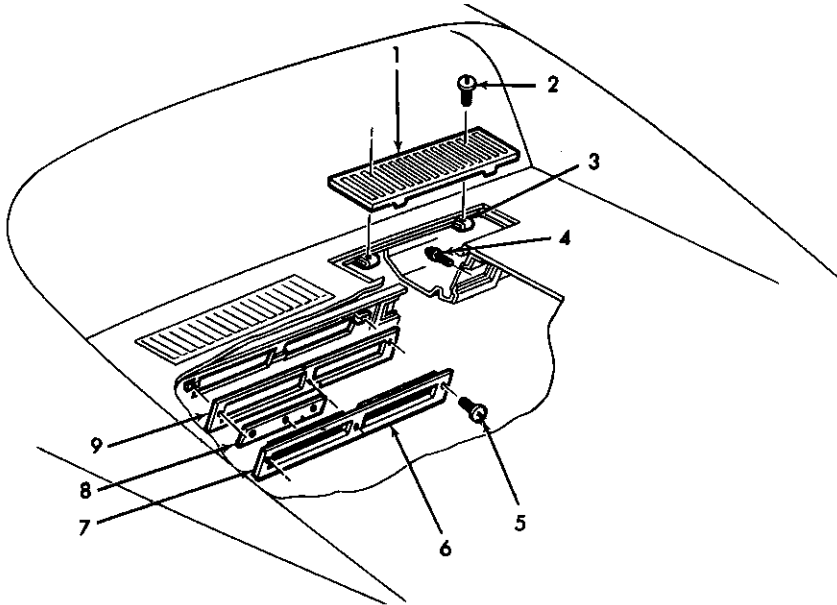
| | | | | | | | |
|----|-------|----------------------|-----------|-----|--------|----------------------|-----------|
| 1. | 9.787 | KNOB ASSY. | 3919717-8 | 7. | 9.787 | BRACKET | 3918533-4 |
| 2. | N.L. | CLIP | | 8. | 8.977 | SCREW (# 8-18 x 3/8) | |
| 3. | 9.787 | ROD & TUBE ASSY. | 3928864 | 9. | 12.804 | COVER DASY TRIM | 3930495-6 |
| 4. | 9.787 | NUT | 381700 | 10. | 8.977 | SCREW[| |
| 5. | 8.900 | SCREW (#10-24 x 1/2) | | 11. | 8.852 | HOUSING ASSY. | 3958739 |
| 6. | 9.789 | VALVE ASSY. | 3940636 | | | | |



9-46

1968-74 CORVETTE REAR WINDOW DETAILS

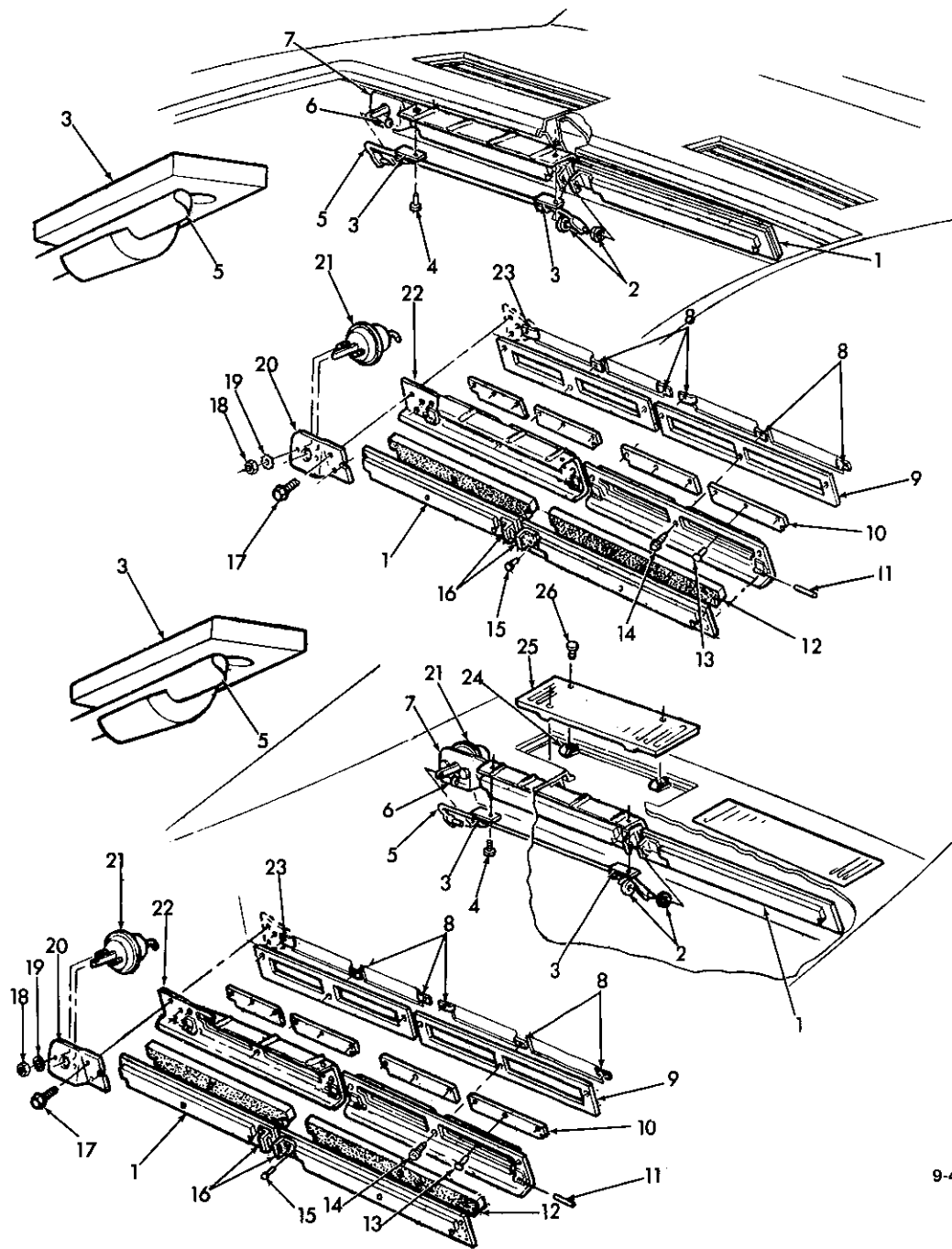
- | | |
|----------------------------------|-----------------|
| 1. 11.207 LOCK ASSY. | 5. 11.204 PLATE |
| 2. 8.931 SCREW (No. 10-24 x 1/2) | 6. 11.204 GLASS |
| 3. 13.346 WEATHERSTRIP | |
| 4. 8.931 SCREW ASSY. | |



9-47

1968 CORVETTE BODY REAR GRILLE AND PLENUM DOOR

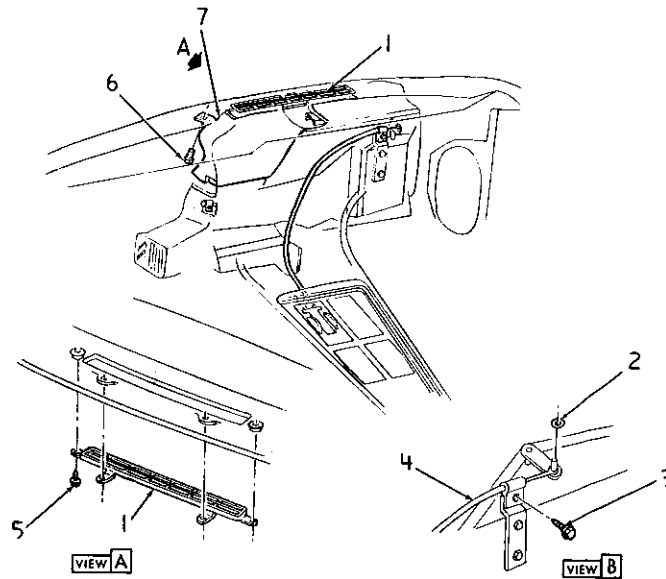
- | | | | |
|----------------------------------|---------|----------------------------|---------|
| 1. 9.789 PANEL | 3936362 | 6. 9.789 FRAME | 3938094 |
| 2. 8.977 SCREW | | 7. 9.789 DOOR | 3955981 |
| 3. 8.931 U-NUT | | 8. 9.782 GASKET | 3972317 |
| 4. 10.263 BUMPER | 3765243 | 9. 8.921 U-NUT (No. 10-16) | |
| 5. 8.977 SCREW (No. 10-16 x 1/2) | | | |



9-48

1969-75 CORVETTE BODY REAR GRILLE & REAR PLENUM AIR DOOR

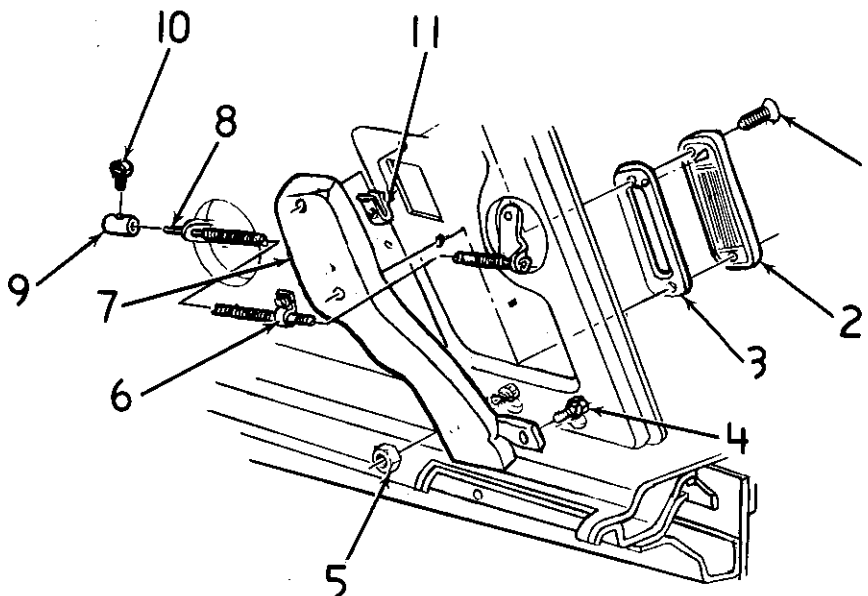
- | | | | | | |
|-----|-------|---------------------|-----|-------|---------------------------|
| 1. | 8.789 | DOOR ASSY. | 14. | 8.977 | SCREW (8-18 x 1/2) |
| 2. | 8.929 | WASHER | 15. | 8.967 | RIVET (1/8) |
| 3. | 9.789 | GUIDE | 16. | 9.789 | BRACKET L.H. |
| 4. | 8.967 | RIVET (3/16 x 9/16) | | 9.789 | BRACKET R.H. |
| 5. | 9.789 | ROD ASSY. | 17. | 8.977 | SCREW (8-18 x 5/8) |
| 6. | 8.921 | NUT (5/32) | 18. | 8.915 | NUT (10-32) |
| 7. | 9.789 | SUPPORT | 19. | 8.932 | WASHER (10) |
| 8. | 8.921 | NUT (8-18 x 5/8) | 20. | 9.789 | SUPPORT |
| 9. | 9.782 | GASKET | 21. | 9.789 | ACTUATOR ASSY. |
| 10. | 9.789 | VALVE ASSY. | 22. | 9.789 | FRAME ASSY. exc. A.C. |
| 11. | 9.789 | PIN | | 9.789 | FRAME ASSY. w/A.C. |
| 12. | 9.782 | GASKET | 23. | 9.789 | PLATE |
| 13. | 9.789 | FASTENER | 24. | 8.921 | NUT (8-18) |
| | | | 25. | 9.789 | PANEL (Air Outlet Grille) |
| | | | 26. | 8.977 | SCREW (6-18 x 5/8) |



9-80

1971-75 CORVETTE DEFROSTER GRILLE, DUCT & CABLES

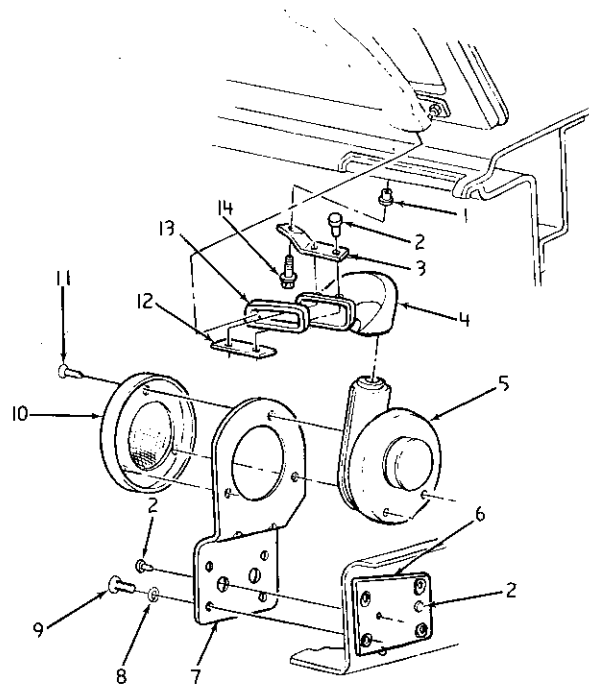
- | | |
|------------------------------|------------------------------------|
| 1. 9.779 GRILLE | 5. 8.977 SCREW |
| 2. 8.921 NUT | 6. 8.977 SCREW ASSY. (10-16 x 5/8) |
| 3. 8.977 SCREW (10-16 x 1/2) | 7. 9.779 DUCT |
| 4. 9.787 CABLE ASSY. | |



9-81

1968-75 CORVETTE REAR WINDOW DEFOGGER EQUIPMENT (CONV.)

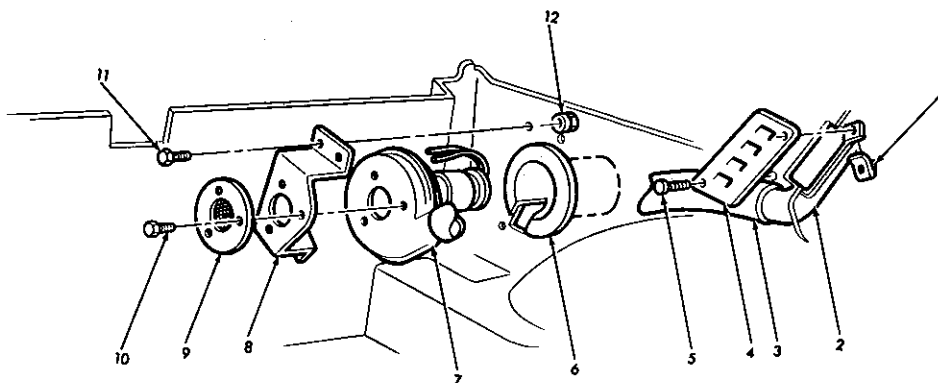
- | | |
|------------------------------|-------------------------------|
| 1. 8.977 SCREW (10-16 x 3/4) | 7. 9.778 DUCT—Upper |
| 2. 9.778 GRILLE | 8. 8.075 CABLE ASSY. |
| 3. 9.778 GASKET | 9. 3.431 GUIDE ASSY. |
| 4. 8.903 SCREW (10-24 x 3/4) | 10. 8.900 SCREW (8-32 x 5/16) |
| 5. 8.915 NUT (10-24) | 11. 8.921 NUT—U (10-16) |
| 6. 8.950 CLIP & SCREW | |



9-232

1971-75 CORVETTE REAR WINDOW DEFOGGER EQUIPMENT (CONV.)

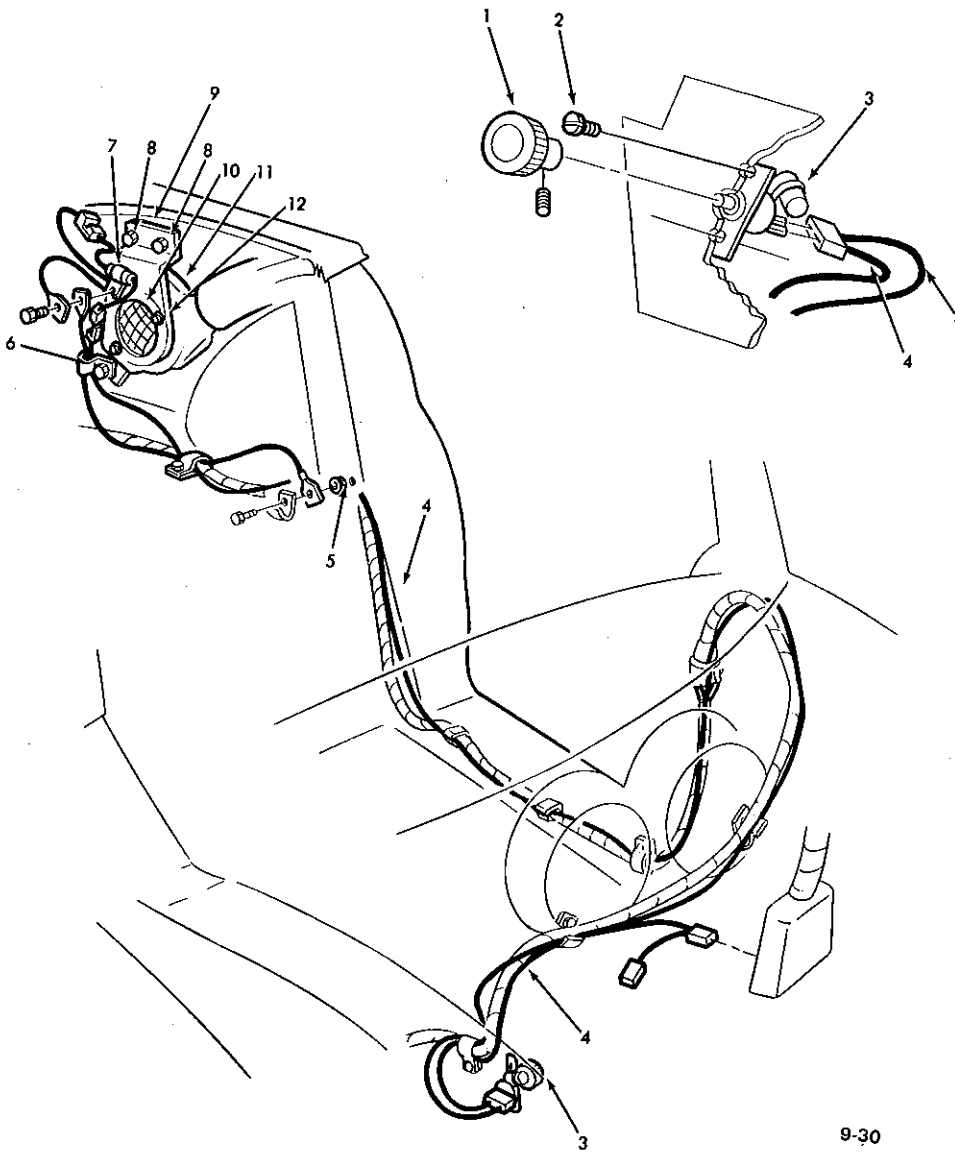
- | | |
|-----------------------------|----------------------------------|
| 1. 8.924 NUT (7/32 x 3/4) | 8. 8.932 WASHER (12) |
| 2. 8.967 RIVET (1/8 x 5/16) | 9. 8.900 BOLT (10-24 x 3/8) |
| 3. 9.778 SUPPORT | 10. N.S. FLANGE AND SCREEN ASSY. |
| 4. 9.778 DUCT | 11. 8.977 SCREW (10-16 x 5/8) |
| 5. N.S. BLOWER | 12. 9.778 REINFORCEMENT |
| 6. 9.778 PLATE ASSY. | 13. 9.778 SEAL |
| 7. 9.778 SUPPORT ASSY. | 14. 8.977 SCREW (10-24 x 15/16) |



9-29

1968-75 CORVETTE REAR WINDOW DEFOGGING EQUIPMENT (EXC. CONV.)

- | | |
|-----------------------------|--------------------------------|
| 1. 8.921 NUT (#8-18) | 7. N.S. BLOWER ASM. |
| 2. 9.778 DUCT | 8. 9.778 BRACKET |
| 3. 8.962 HOSE | 9. * SCREEN ASM |
| 4. 9.778 GRILLE | 10. 8.977 SCREW (#10-16 x 5/8) |
| 5. 8.977 SCREW (8-18 x 5/8) | 11. 8.900 SCREW (1/4-20 x 3/4) |
| 6. 9.778 SHIELD | 12. 12.815 NUT ASM. |

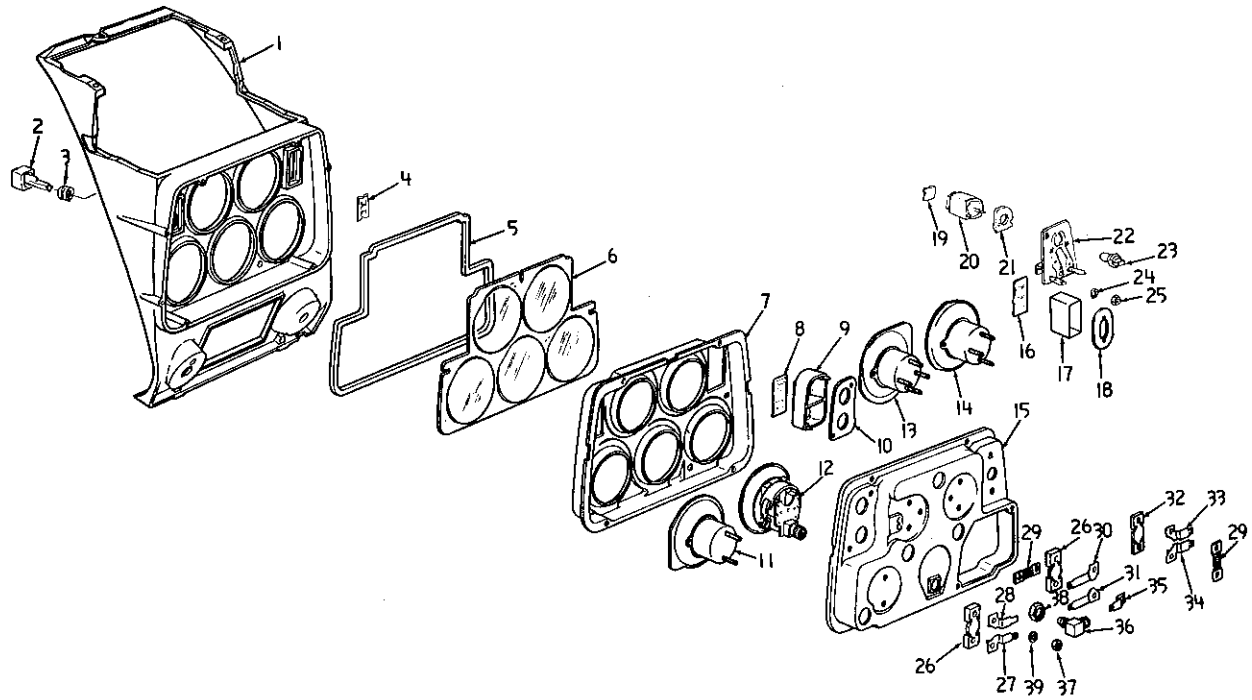


9-30

1968-75 CORVETTE REAR WINDOW DEFOGGING EQUIPMENT WIRING

- | | |
|-------------------------------|--------------------------------|
| 1. 9.778 KNOB ASM. | 7. 9.778 CAPACITOR ASM. |
| 2. 8.977 SCREW (#10-16 x 1/2) | 8. 8.900 SCREW (1/4-20 x 3/4) |
| 3. 9.778 SWITCH ASM. | 9. 9.778 BRACKET |
| 4. * WIRE ASM. | 10. * SCREEN ASM. |
| 5. 8.932 L/WASHER (1/4) | 11. * BLOWER ASM. |
| 6. 8.950 CLIP (1/4) | 12. 8.977 SCREW (#10-16 x 5/8) |

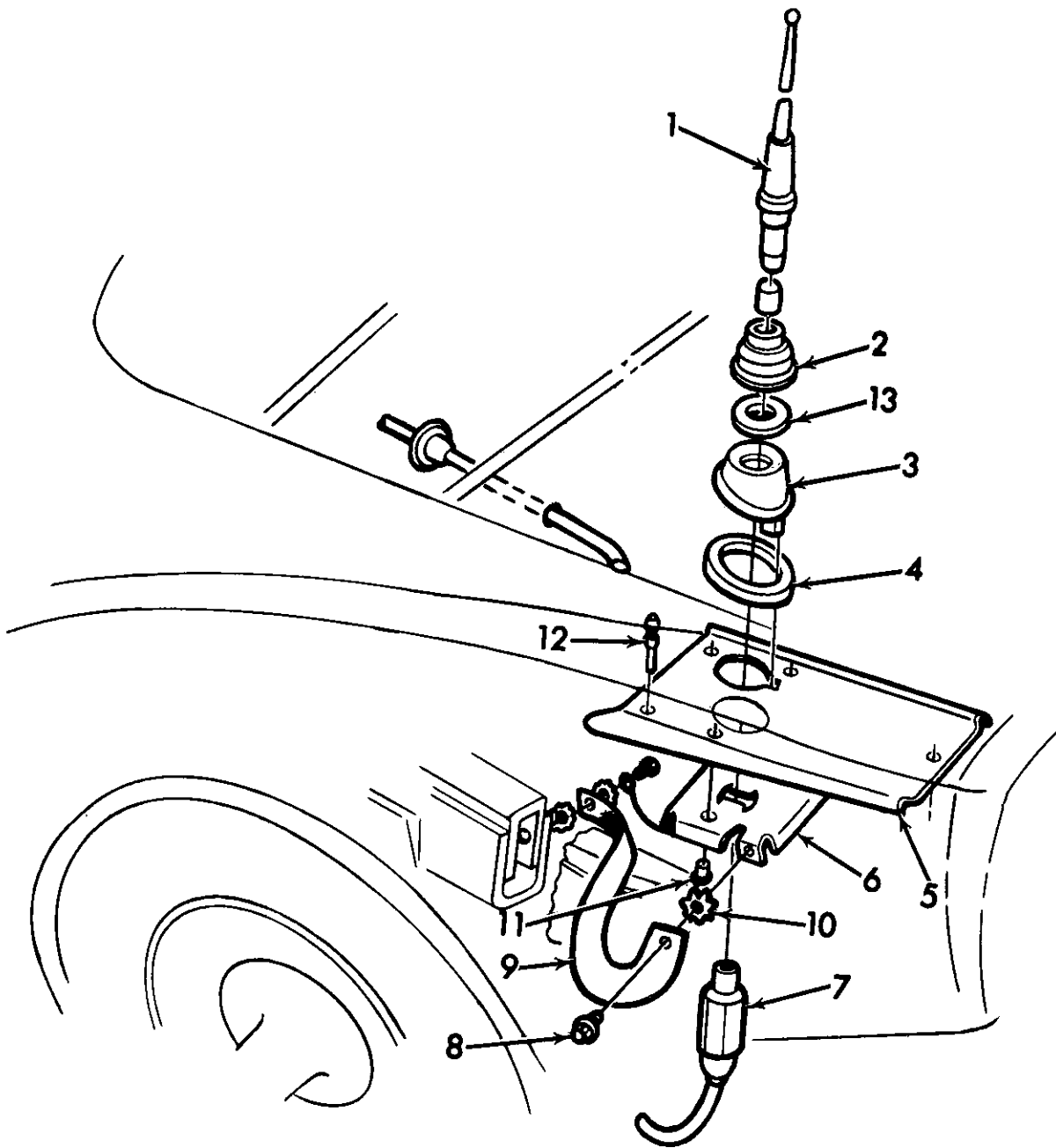
*Removed from service



9-233

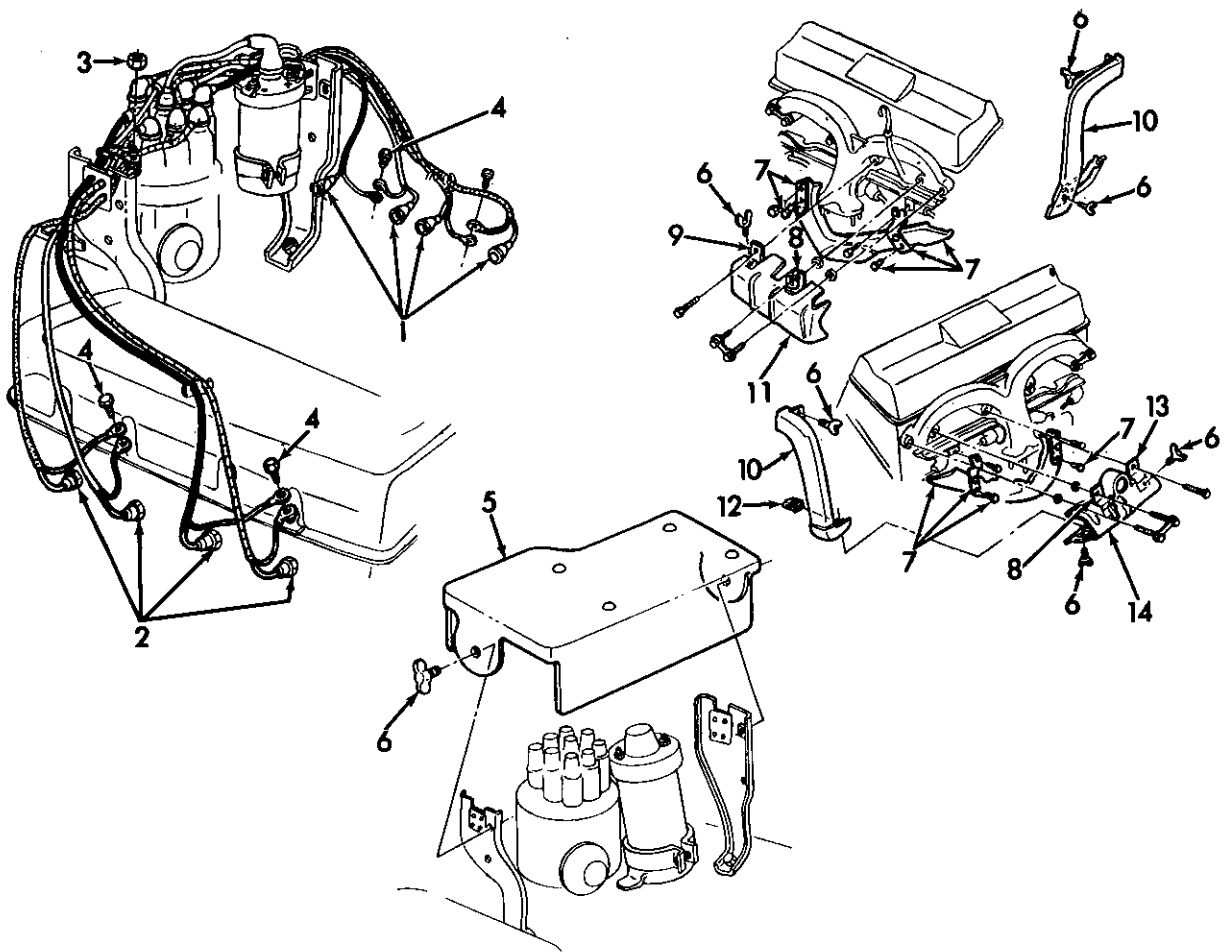
1968-75 CORVETTE CENTER INSTRUMENT CLUSTER

- | | | | | | |
|-----|-------|-------------------|-----|-------|------------|
| 1. | 9.746 | BEZEL | 21. | N.S. | GASKET |
| 2. | 9.746 | BUTTON | 22. | 9.746 | SWITCH |
| 3. | 9.746 | SPRING | 23. | N.S. | RETAINER |
| 4. | N.S. | RETAINER | 24. | 8.931 | WASHER |
| 5. | 9.749 | GASKET | 25. | 8.915 | NUT |
| 6. | 9.748 | LENS | 26. | 9.746 | INSULATOR |
| 7. | 9.747 | RETAINER | 27. | 9.735 | TERMINAL |
| 8. | 9.748 | LENS (1968) | 28. | 9.735 | TERMINAL |
| 9. | 9.746 | HOUSING | 29. | N.S. | RESISTOR |
| 10. | N.S. | GASKET | 30. | 9.735 | TERMINAL |
| 11. | 2.515 | GAUGE AMP. | 31. | 9.735 | TERMINAL |
| 12. | 1.803 | GAUGE OIL | 32. | 9.749 | INSULATOR |
| 13. | 1.148 | GAUGE WATER TEMP. | 33. | 2.530 | TERMINAL |
| 14. | 3.108 | GAUGE FUEL | 34. | 2.530 | TERMINAL |
| 15. | 9.743 | CASE ASSY. | 35. | 9.735 | TERMINAL |
| 16. | 9.748 | LENS | 36. | 1.800 | FITTING |
| 17. | 9.746 | HOUSING | 37. | 8.915 | NUT (6-32) |
| 18. | N.S. | GASKET | 38. | N.S. | NUT |
| 19. | 9.748 | LENS | 39. | 8.931 | WASHER |
| 20. | 9.746 | HOUSING | | | |



CORVETTE FM RADIO ANTENNA

| | | | | | |
|---|-----------------------------------|---------|----|---------------------------------|---------|
| 1 | 9.647 ROD & MAST | 3943653 | 7 | 9.647 CABLE ASSY., w/body | 3996218 |
| 2 | 9.647 CAP | 3943656 | 8 | 8.977 SCREW (1/4-14 x 5/8) | |
| 3 | 9.647 BEZEL | 3921439 | 9 | 9.663 GROUND STRAP | 3921440 |
| 4 | 9.647 GASKET | 3820672 | 10 | 8.932 WASHER (1/4) | |
| 5 | 9.647 GROUND PLATE (68-73) | 3928732 | 11 | 8.967 RIVET | |
| | 9.647 GROUND PLATE (74 Cpe) | 6258263 | 12 | 10.263 BUMPER | |
| | 9.647 GROUND PLATE Conv. | 6258264 | 13 | 9.211 GASKET | 3138635 |
| 6 | 9.647 REINF. | 3921444 | | | |

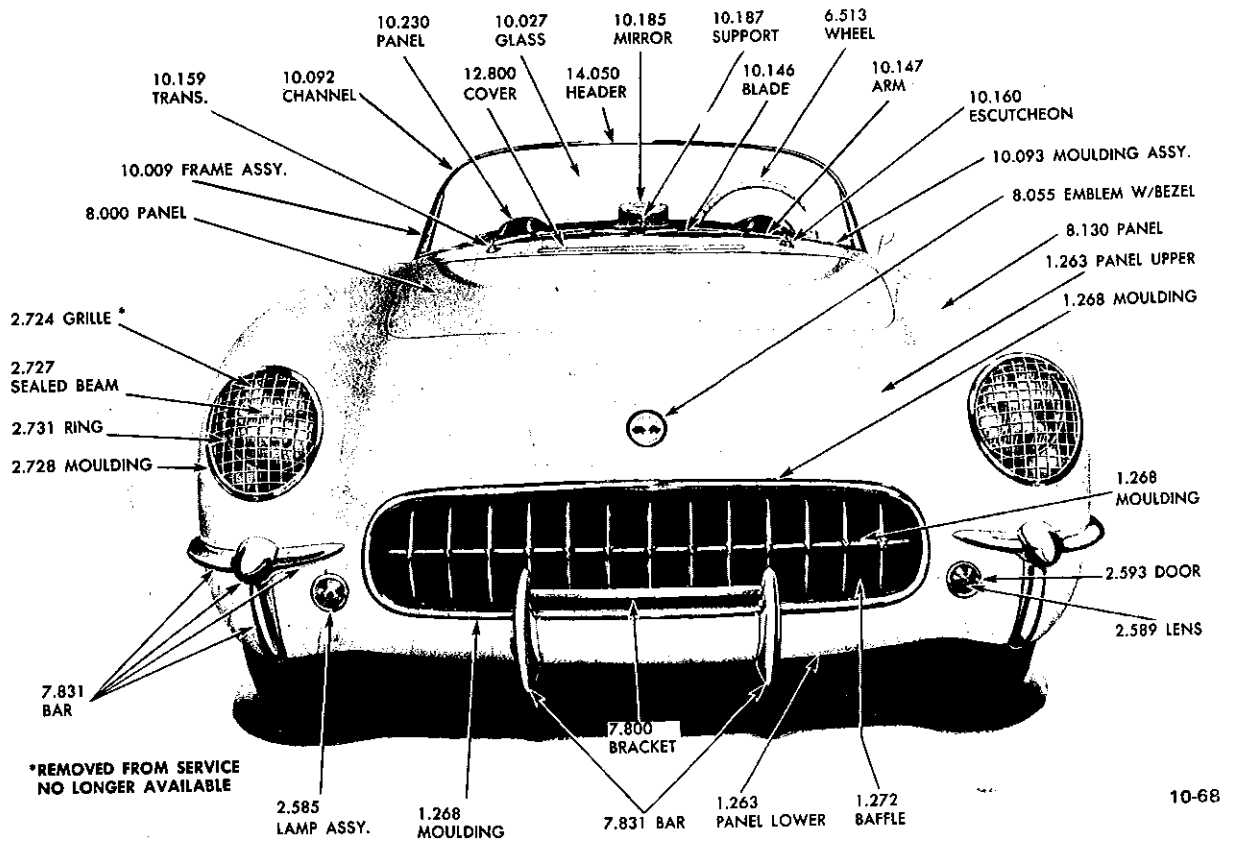


CORVETTE RADIO AM-FM SHIELDING EQUIPMENT

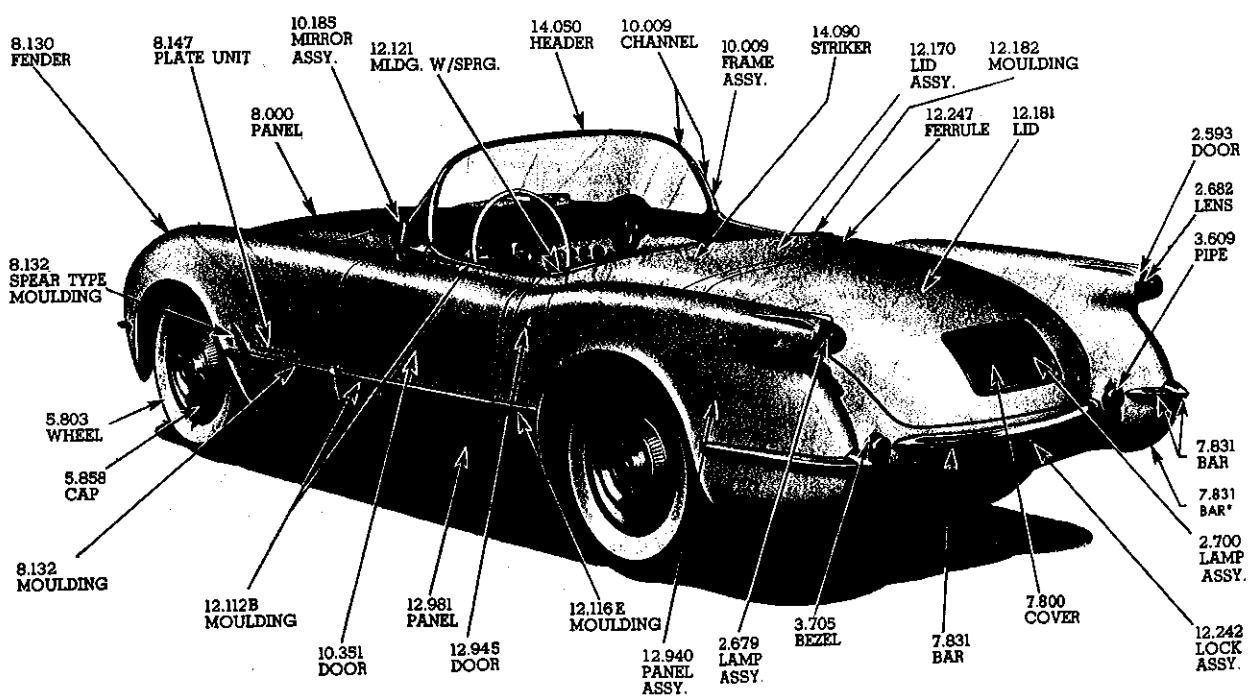
| | | | | | |
|---|---------------------------------------|-----------|----|--------------------------------------|---------|
| 1 | 2.240 WIRE ASSY. (Cyl. No. 1-4) | 8901498 | 10 | 9.663 SHIELD-IGN. ASSY. L.H. | 3923965 |
| 2 | 2.240 WIRE ASSY. (Cyl. No. 5-8) | 8901502 | 10 | 9.663 SHIELD-IGN. ASSY. R.H. | 3934834 |
| 3 | 8.915 NUT (#10-24) | | 11 | 9.663 SHIELD-IGN. RR. OTR. L.H. | 3923969 |
| 4 | 8.900 BOLT (1/4-20 x 3/4) | | 12 | 9.663 "J" NUT | 3730322 |
| 5 | 9.663 COVER ASSY. | 3986344 | 13 | 9.663 SUPPORT | 3819757 |
| 6 | 9.663 WING BOLT | 3728415 | 14 | 9.663 SHIELD-IGN. RR. OTR. R.H. | 3980192 |
| 7 | 9.663 SHIELD-SPARK PLUG | 3987341-2 | 15 | 9.663 SUPPORT ASSY. (350) L.H. | 3923963 |
| 8 | 9.663 SUPPORT | 3819758 | | 9.663 SUPPORT ASSY. (350) R.H. | 3923964 |
| 9 | 9.663 SUPPORT | 3819759 | | 9.663 SUPPORT ASSY. (454) L.H. | 3923967 |
| | | | | 9.663 SUPPORT ASSY. (454) R.H. | 3923968 |

GROUP 10.000
WINDSHIELD —
DOORS —
CONTROLS

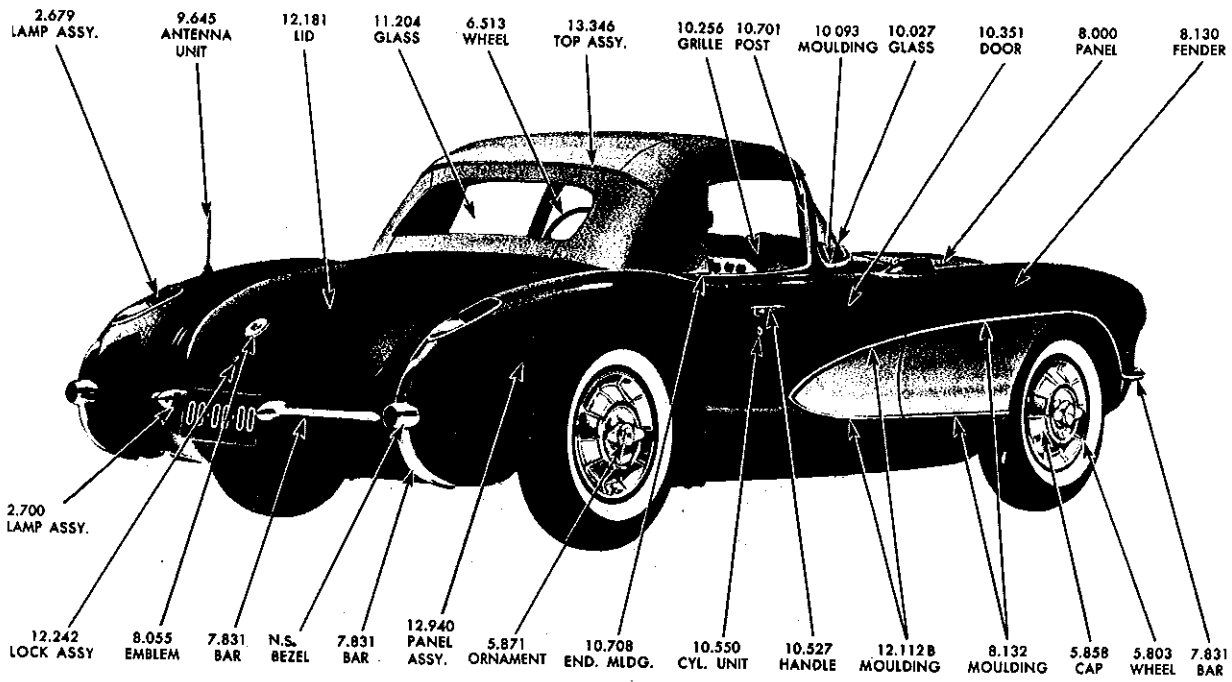




1953-55 CORVETTE FRONT END

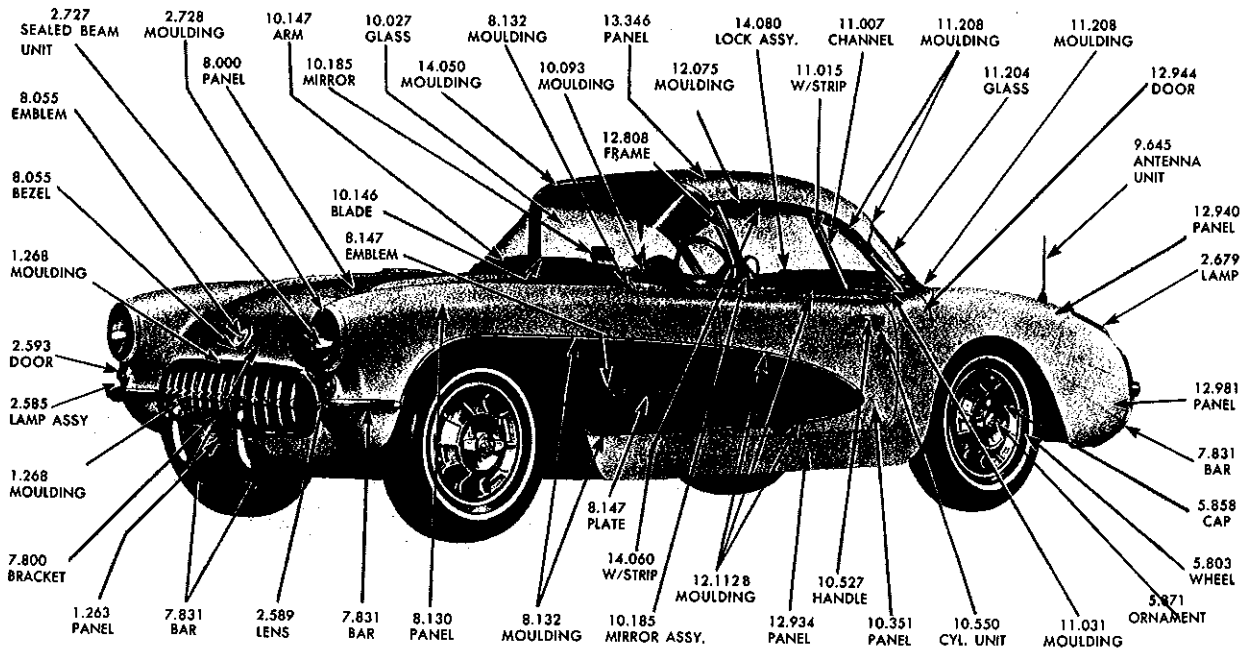


1953-55 CORVETTE



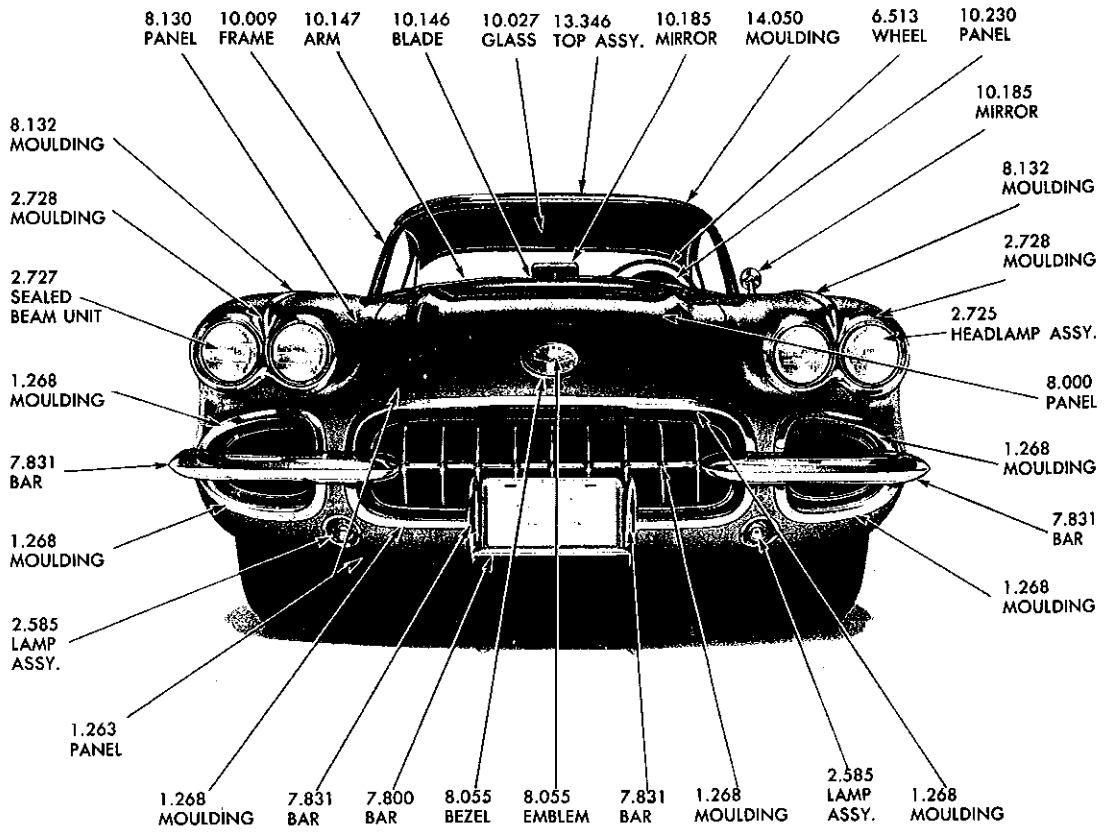
10-70

1956-57 CORVETTE



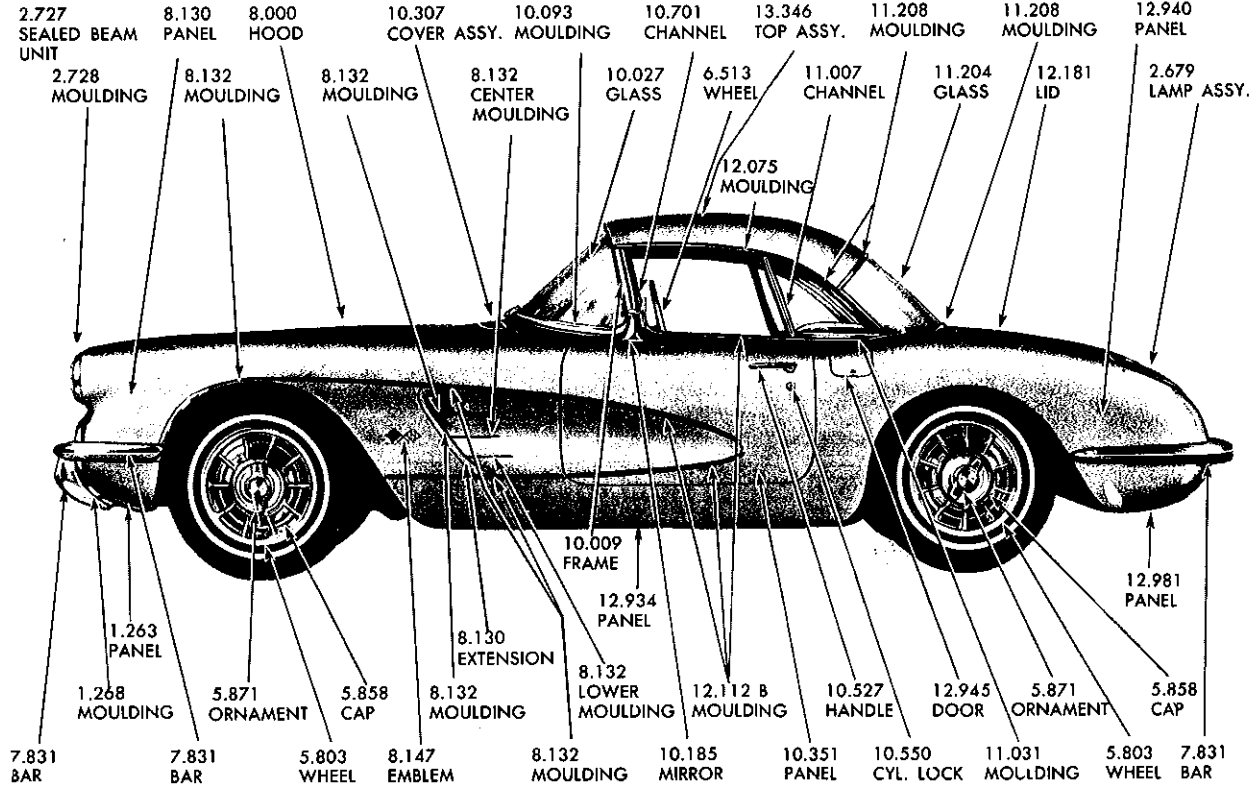
10-71

1956-57 CORVETTE WITH AUXILIARY TOP



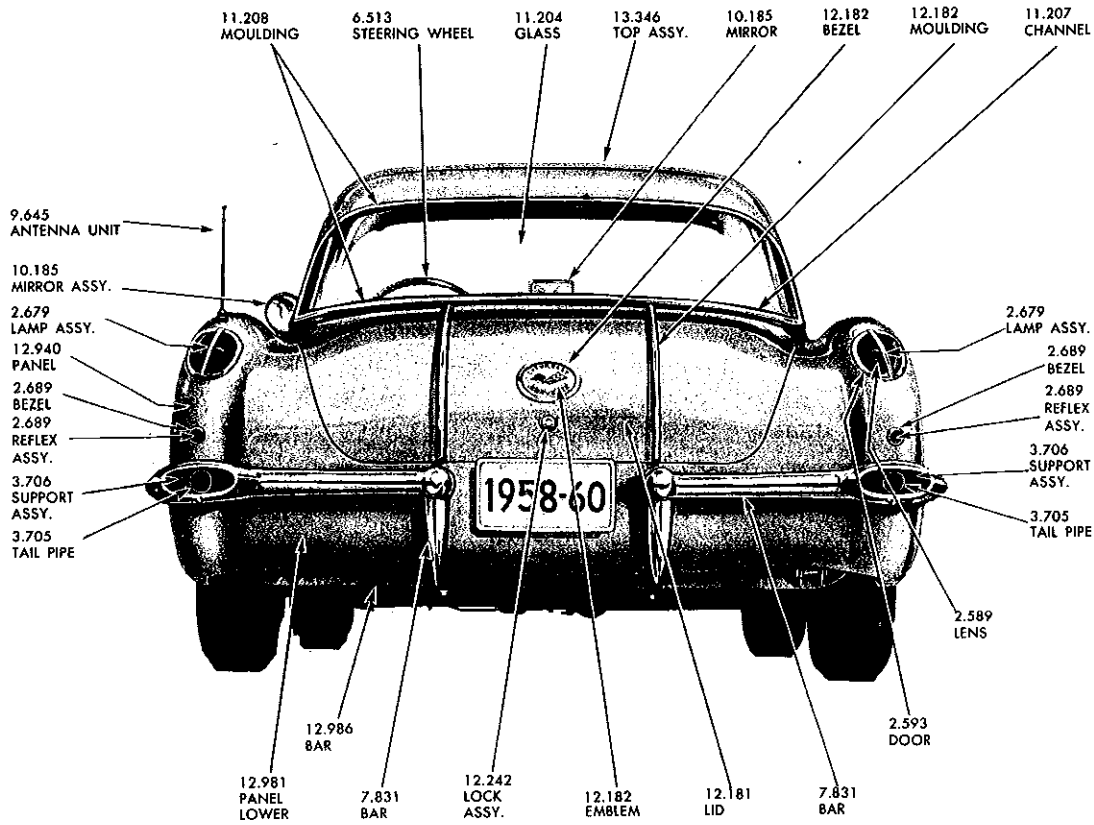
10-72

1958-60 CORVETTE FRONT END



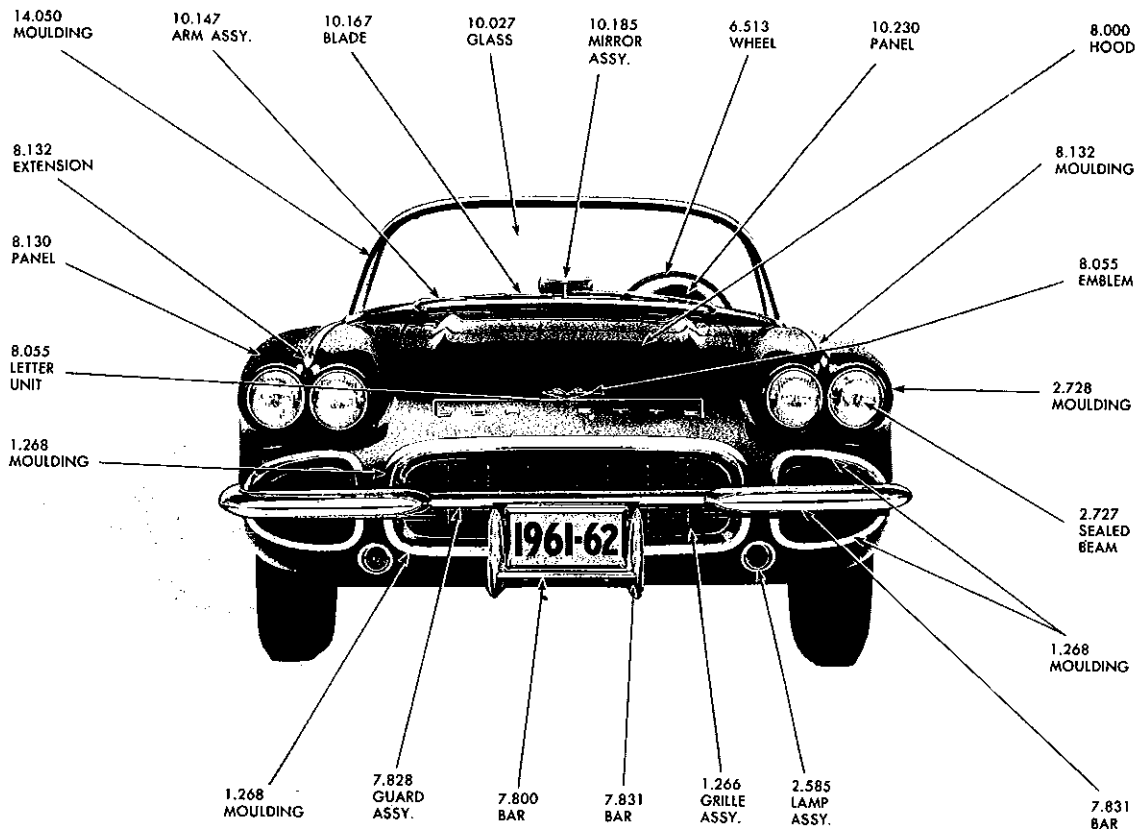
10-73

1958-60 CORVETTE

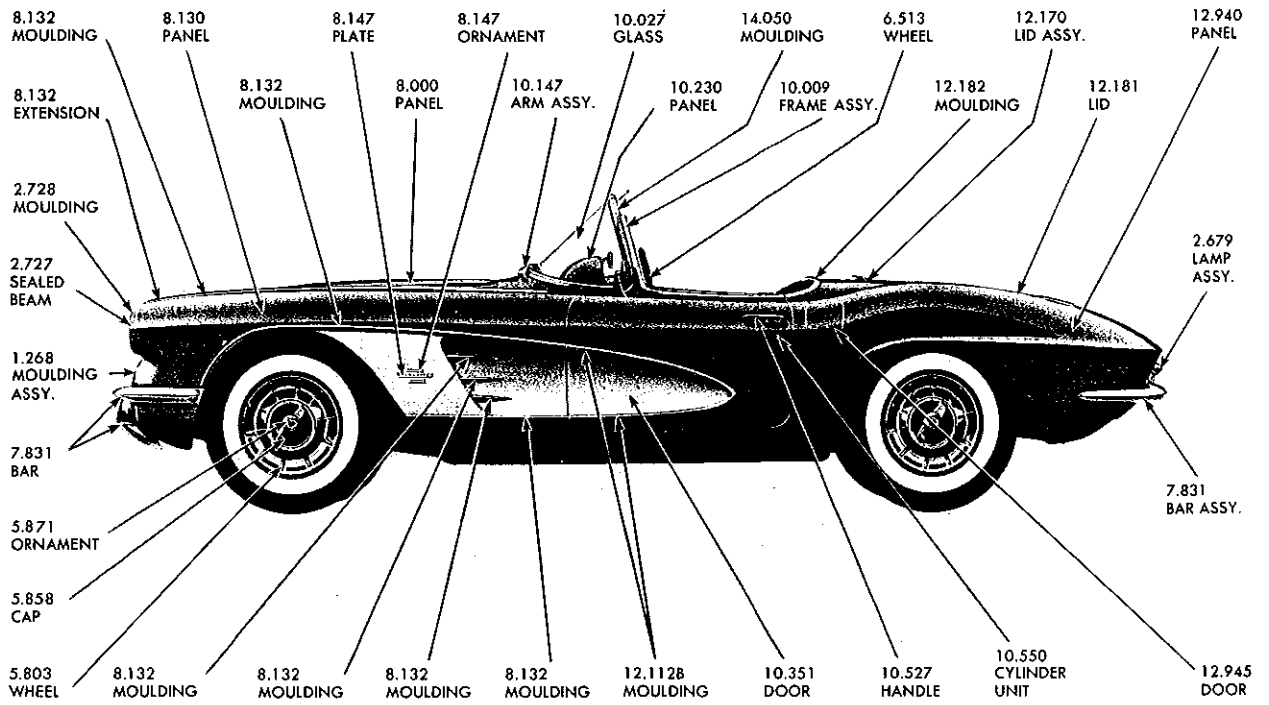


10-74

1958-60 CORVETTE REAR END

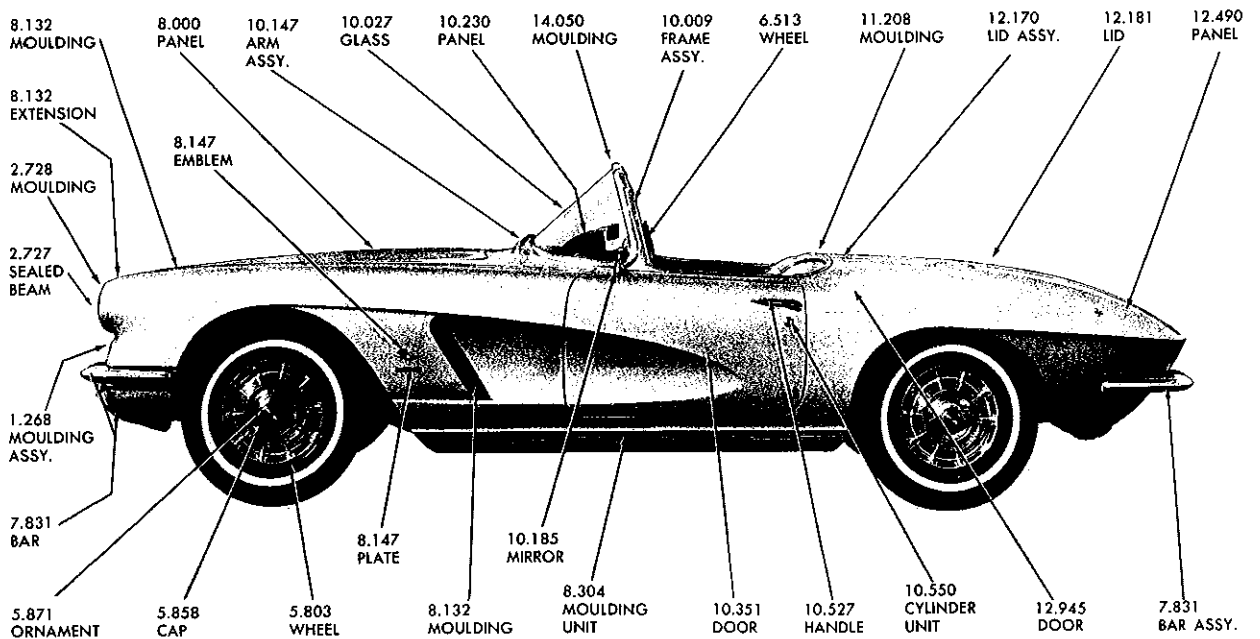


1961-62 CORVETTE FRONT END



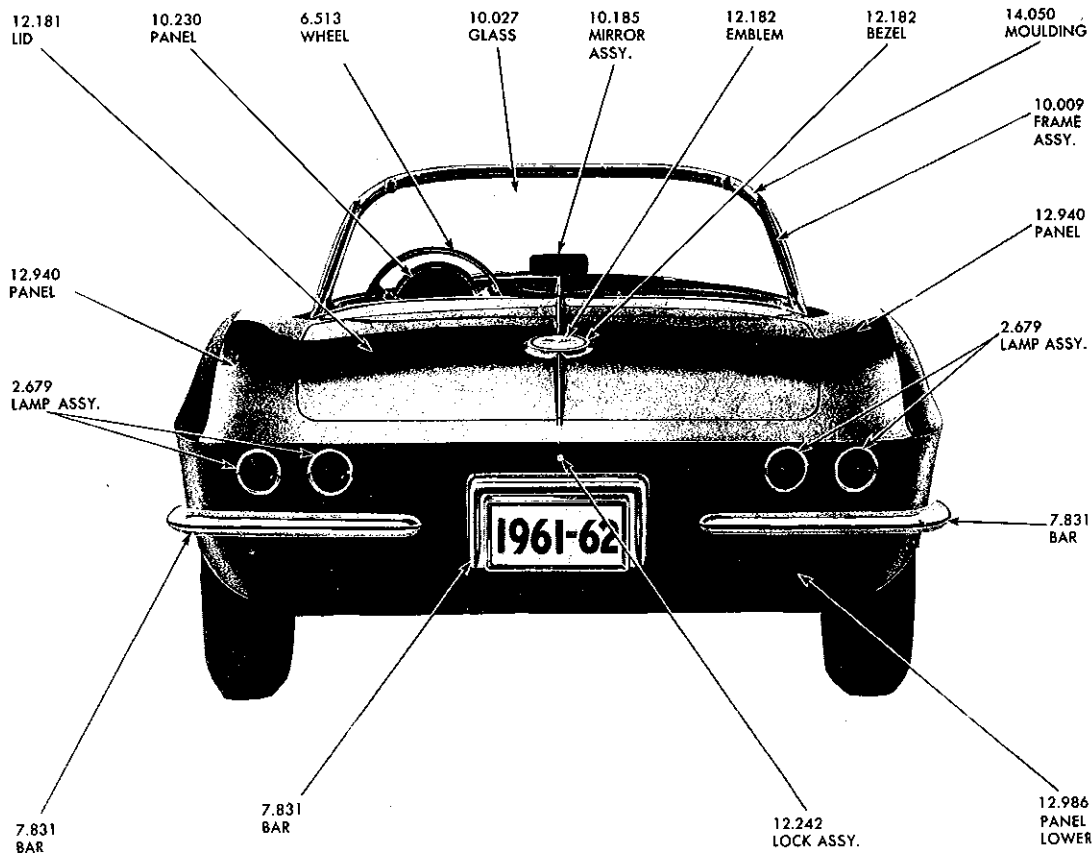
10-76

1961 CORVETTE CONVERTIBLE



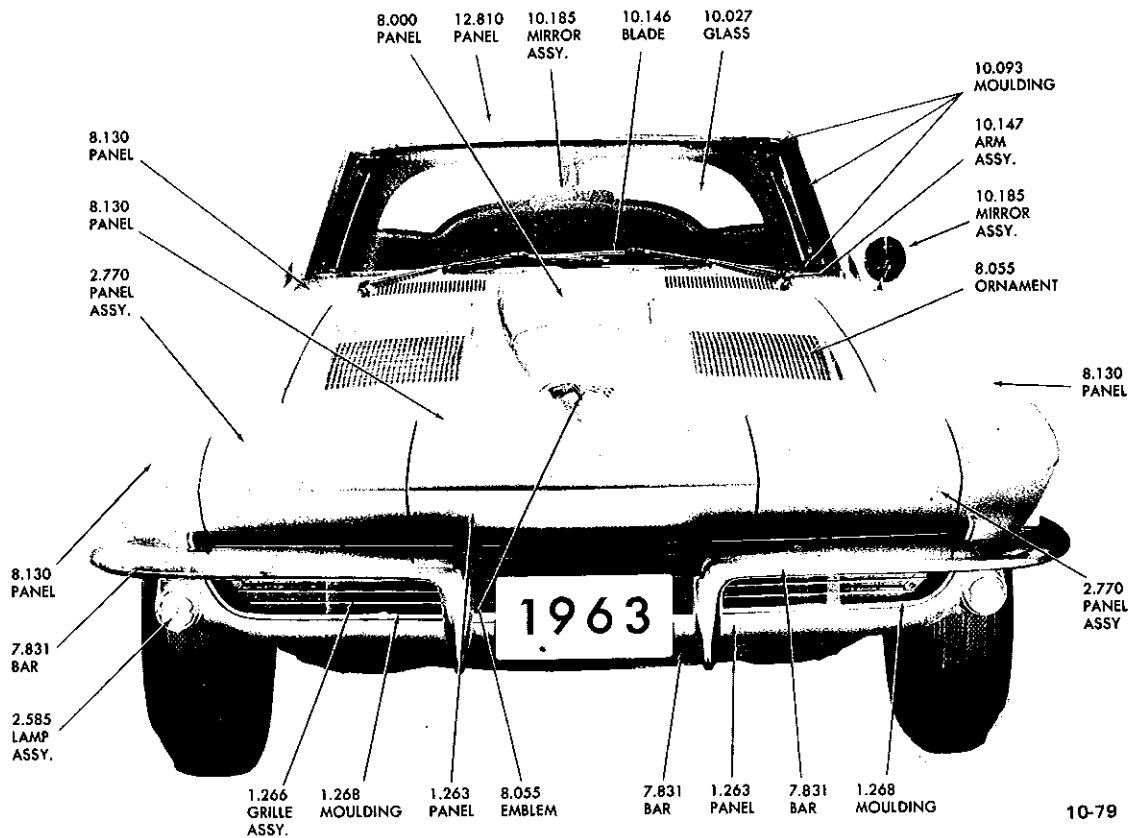
10-77

1962 CORVETTE CONVERTIBLE



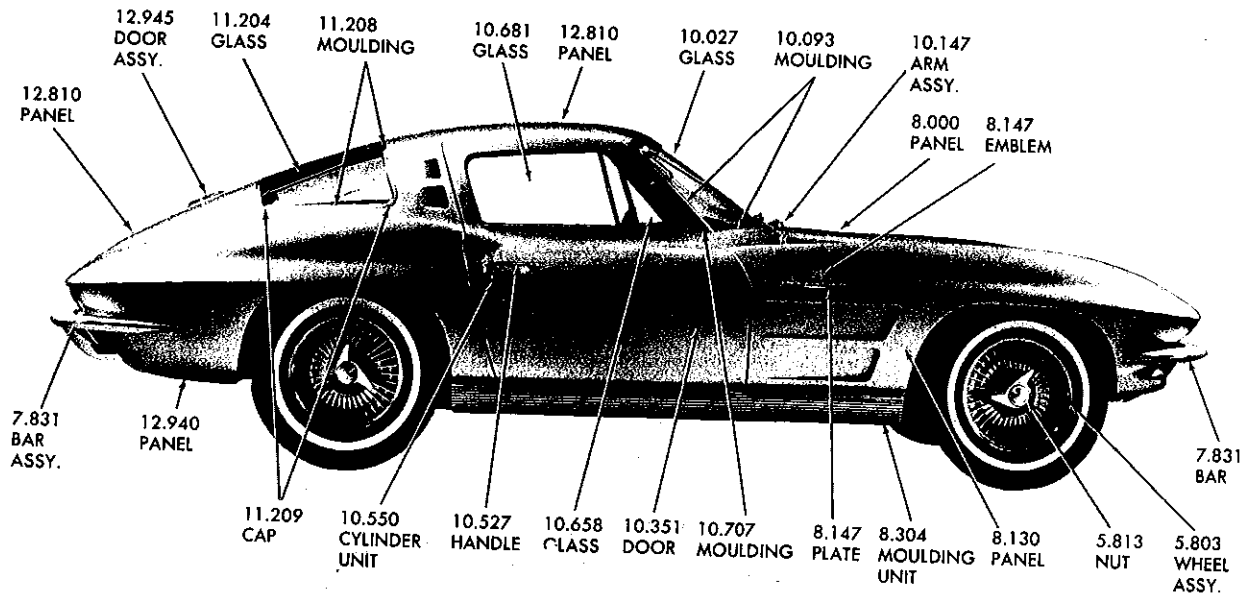
1961-62 CORVETTE REAR END

10-78



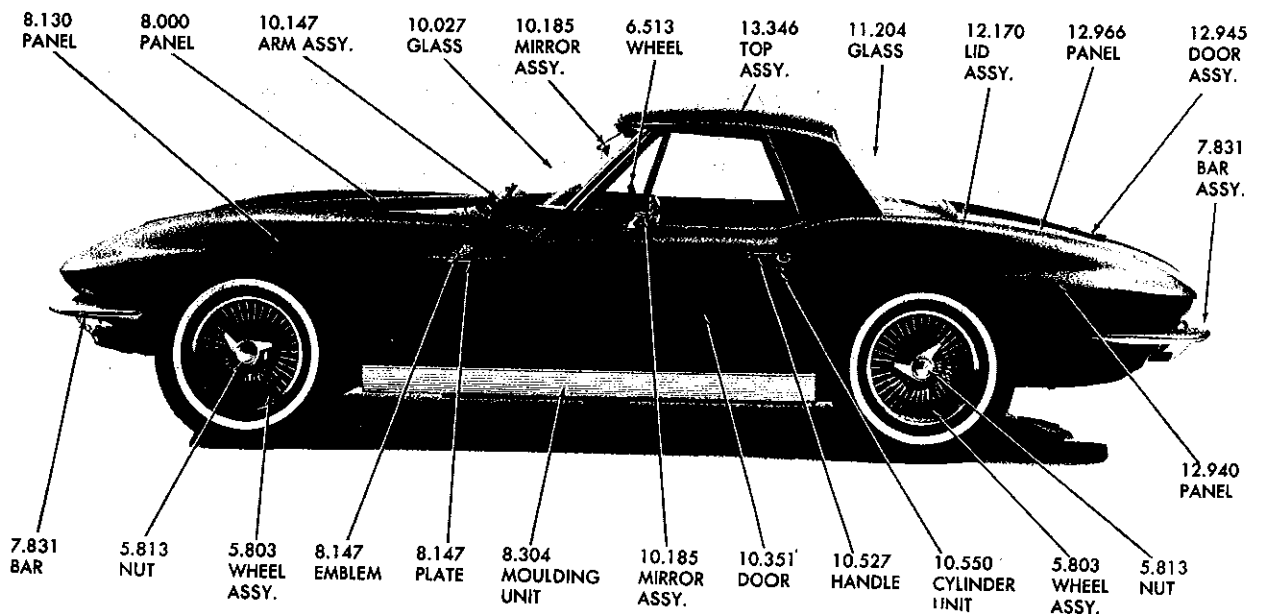
1963-64 CORVETTE FRONT END

10-79



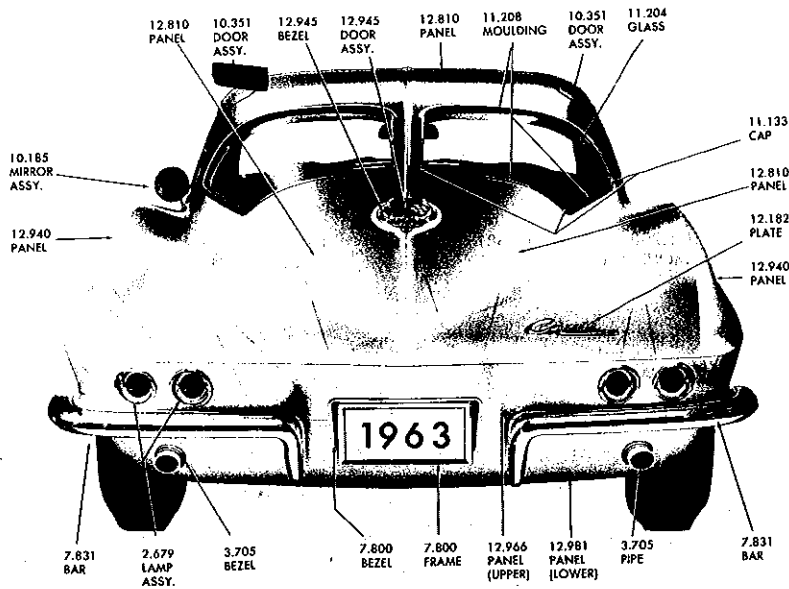
1963-64 CORVETTE COUPE

10-80



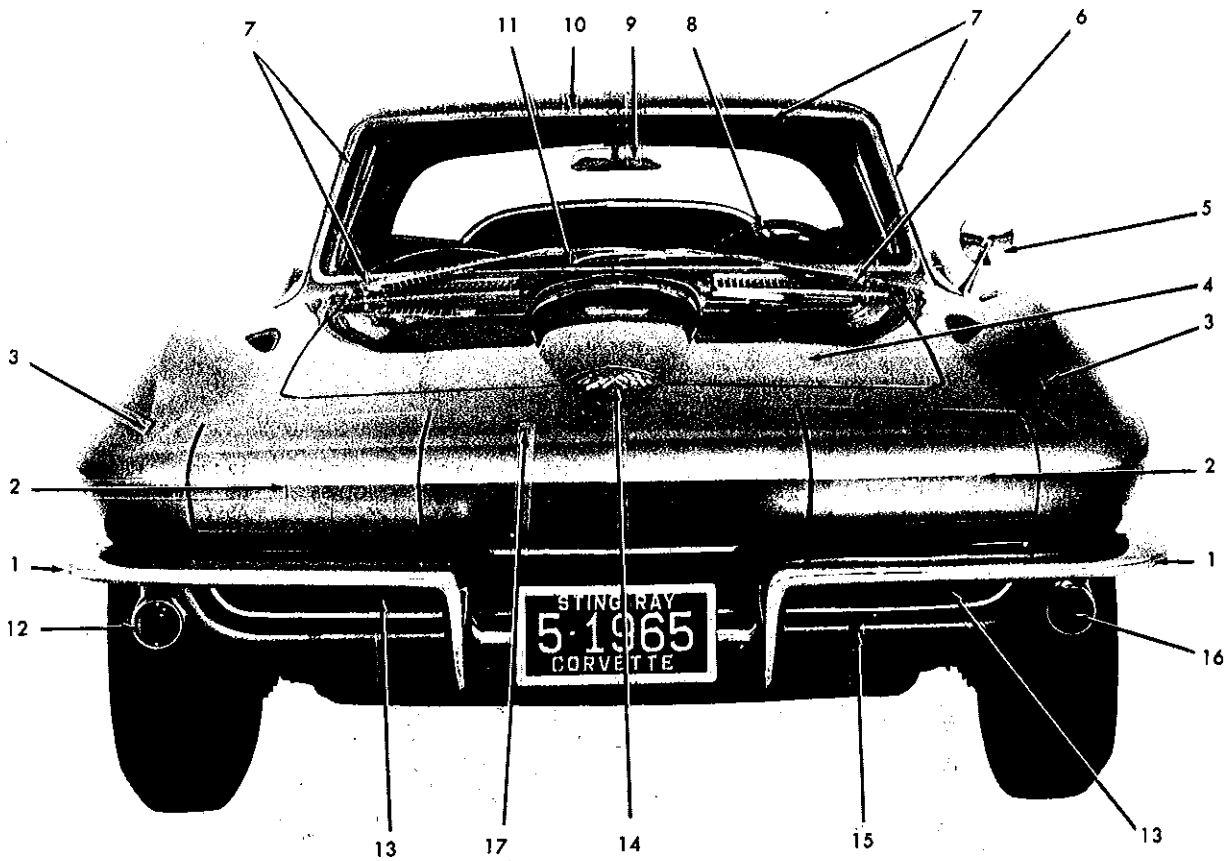
10-81

1963-64 CORVETTE CONVERTIBLE



10-82

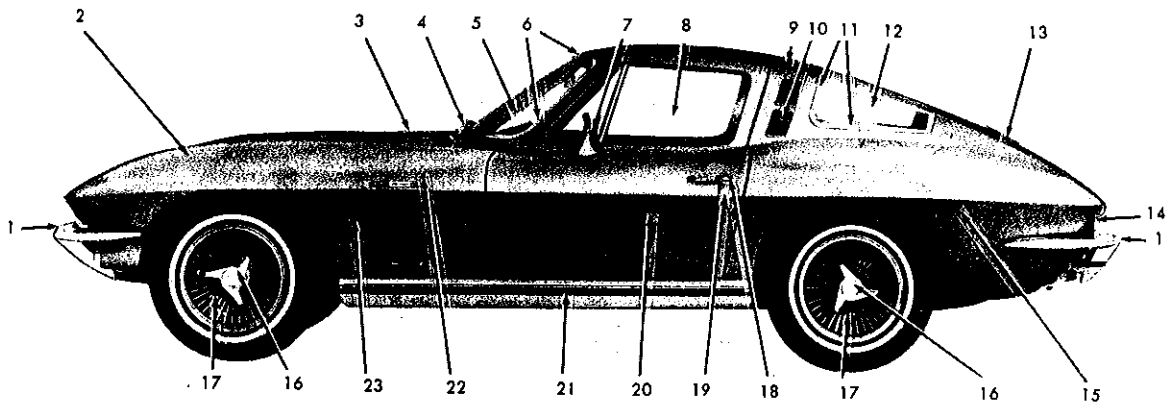
1963-67 CORVETTE REAR END



1965-67 CORVETTE FRONT END

10-83

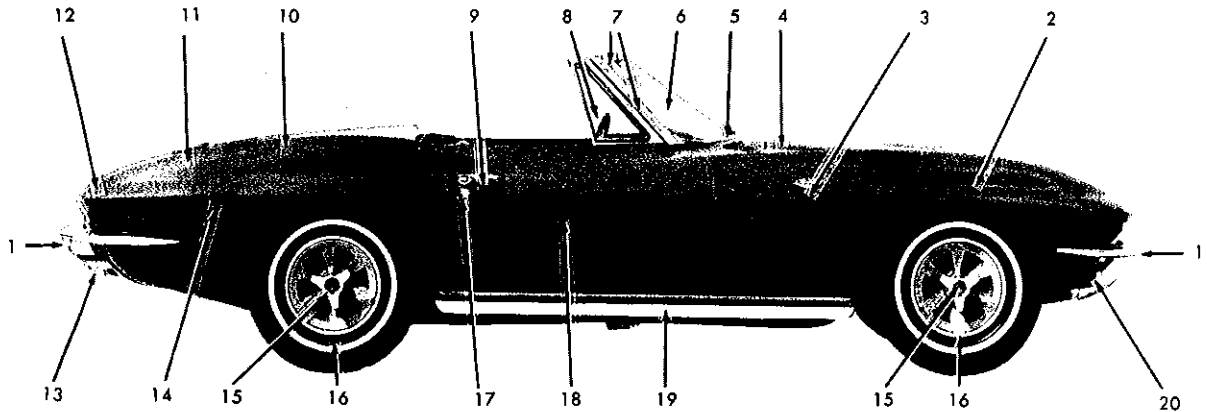
- | | |
|------------------------|------------------------|
| 1. 7.831 BAR | 10. 12.810 PANEL |
| 2. 2.770 HOUSING | 11. 10.146 BLADE ASSY. |
| 3. 8.130 PANEL | 12. 2.585 LAMP ASSY. |
| 4. 8.000 PANEL | 13. 1.266 GRILLE ASSY. |
| 5. 10.185 MIRROR ASSY. | 14. 8.055 EMBLEM |
| 6. 10.147 ARM ASSY. | 15. 1.263 PANEL |
| 7. 10.093 MOULDING | 16. 2.589 LENS |
| 8. 6.513 WHEEL | 17. 1.263 PANEL |
| 9. 10.185 MIRROR ASSY. | |



1965-67 CORVETTE COUPE

10-84

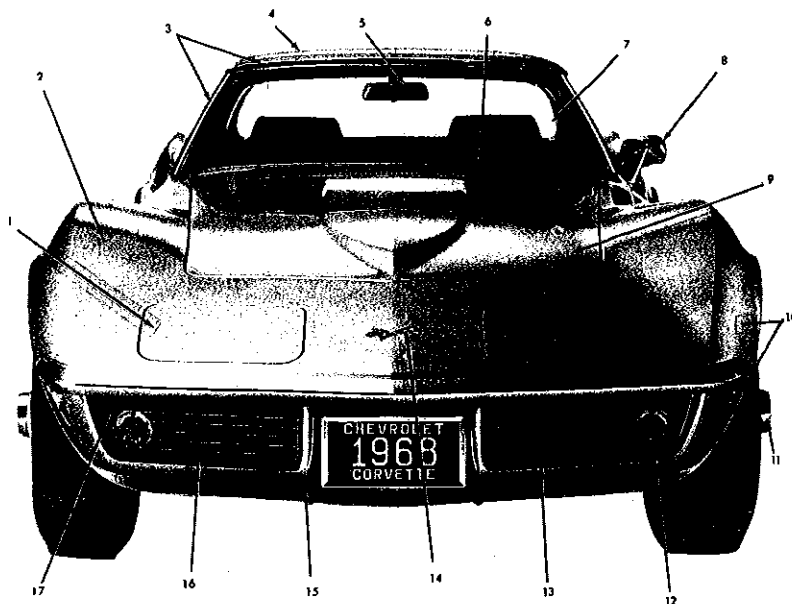
- | | |
|------------------------|------------------------------|
| 1. 7.831 BAR | 13. 12.945 DOOR ASSEMBLY |
| 2. 8.130 PANEL | 14. 2.679 LAMP ASSEMBLY |
| 3. 8.000 PANEL | 15. 12.940 PANEL |
| 4. 10.147 ARM ASSEMBLY | 16. 5.813 NUT |
| 5. 10.027 GLASS | 17. 5.803 WHEEL ASSEMBLY |
| 6. 10.093 MOULDING | 18. 10.527 HANDLE |
| 7. 10.658 GLASS | 19. 10.550 CYLINDER ASSEMBLY |
| 8. 10.681 GLASS | 20. 10.351 DOOR |
| 9. 12.810 PANEL | 21. 8.304 MOULDING UNIT |
| 10. 12.811 GRILLE | 22. 8.147 PLATE |
| 11. 11.208 MOULDING | 23. 8.130 PANEL |
| 12. 11.204 GLASS | |



1965-67 CORVETTE CONVERTIBLE

10-85

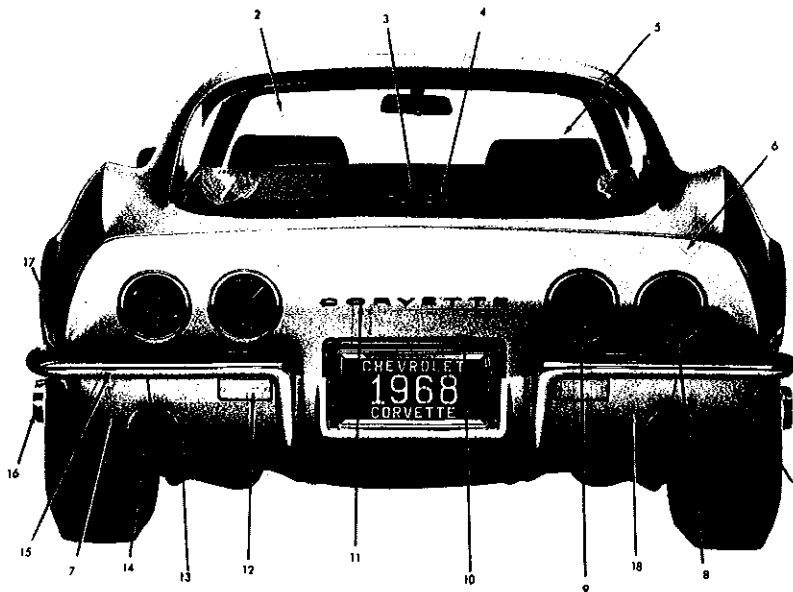
- | | |
|------------------------|--------------------------|
| 1. 7.831 BAR | 11. 12.945 DOOR ASSEMBLY |
| 2. 8.130 PANEL | 12. 12.182 PLATE |
| 3. 8.147 EMBLEM | 13. 3.705 PIPE |
| 4. 8.000 PANEL | 14. 12.940 PANEL |
| 5. 10.147 ARM ASSEMBLY | 15. 5.858 COVER |
| 6. 10.027 GLASS | 16. 5.803 WHEEL |
| 7. 10.093 MOULDING | 17. 10.550 CYLINDER |
| 8. 10.658 GLASS | 18. 10.351 DOOR |
| 9. 10.527 HANDLE | 19. 8.304 MOULDING |
| 10. 12.966 PANEL | 20. 2.585 LAMP ASSEMBLY |



10-86

1968-69 CORVETTE FRONT END

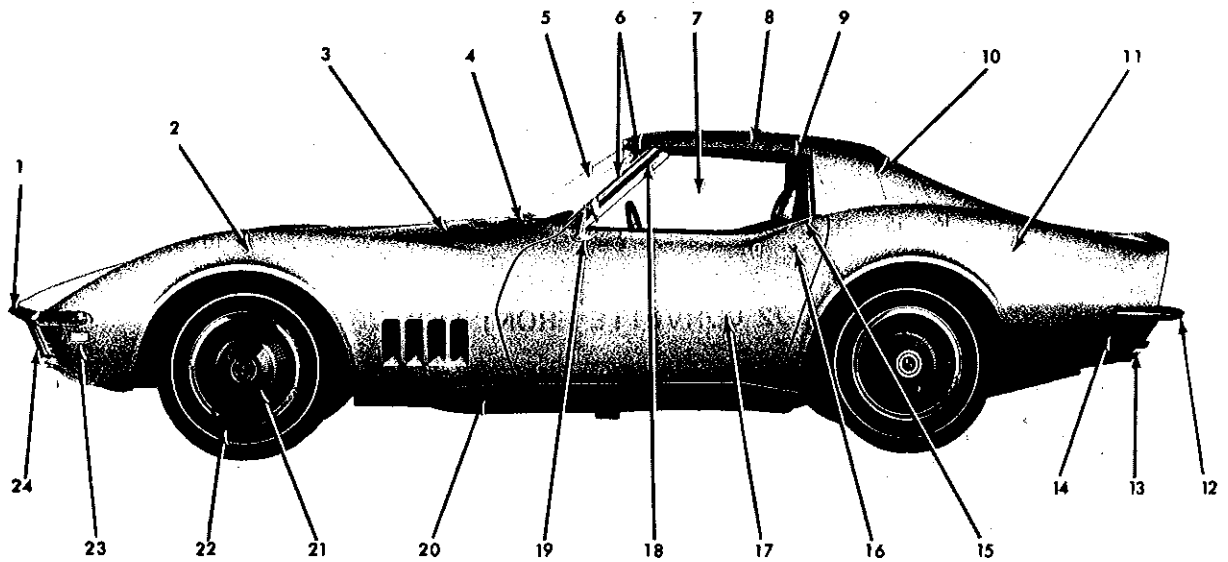
- | | |
|-----------------------|------------------------|
| 1. 2.770 HOUSING | 10. 12.810 PANEL—Lower |
| 2. 8.130 PANEL | 11. 5.858 COVER |
| 3. 10.093 MOULDING | 12. 2.585 LAMP ASSY. |
| 4. 12.810 PANEL—Upper | 13. 1.268 MOULDING |
| 5. 10.185 MIRROR | 14. 1.303 EMBLEM |
| 6. 10.130 PANEL | 15. 7.828 GUARD |
| 7. 10.027 GLASS | 16. 1.266 GRILLE |
| 8. 10.185 MIRROR | 17. 7.831 BAR |
| 9. 8.000 PANEL | |



10-87

1968-69 CORVETTE REAR END

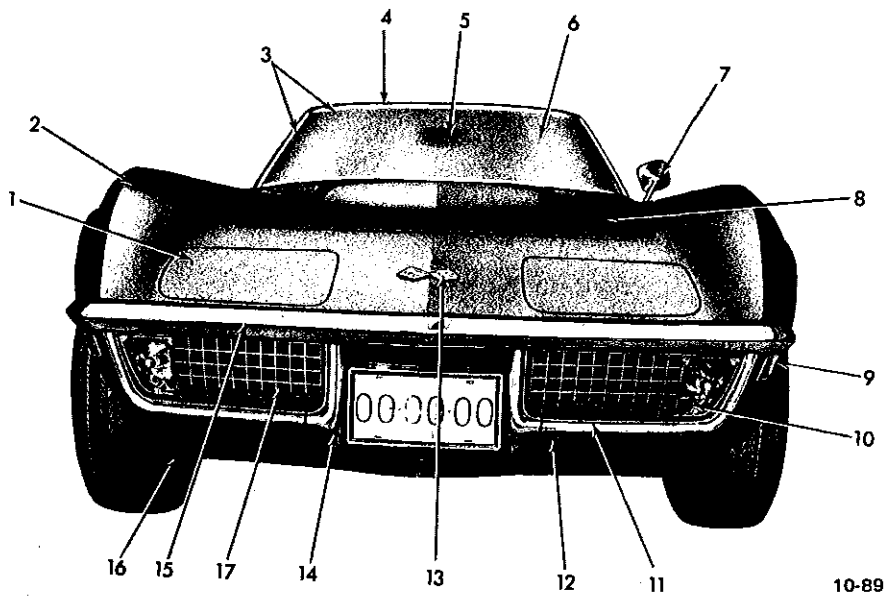
- | | |
|----------------------|------------------------|
| 1. 12.810 PANEL | 10. 7.800 BEZEL |
| 2. 11.204 GLASS | 11. 12.182 LETTER UNIT |
| 3. 12.945 EMBLEM | 12. 2.697 LAMP ASSY. |
| 4. 12.945 DOOR ASSY. | 13. 3.705 BEZEL |
| 5. 11.204 GLASS | 14. 3.705 PIPE |
| 6. 12.986 PANEL | 15. 7.831 BAR |
| 7. 12.981 PANEL | 16. 5.858 COVER |
| 8. 2.679 LAMP ASSY. | 17. 12.940 PANEL |
| 9. 2.679 LAMP ASSY. | 18. 12.981 PANEL |



10-88

1968-69 CORVETTE SPORT COUPE

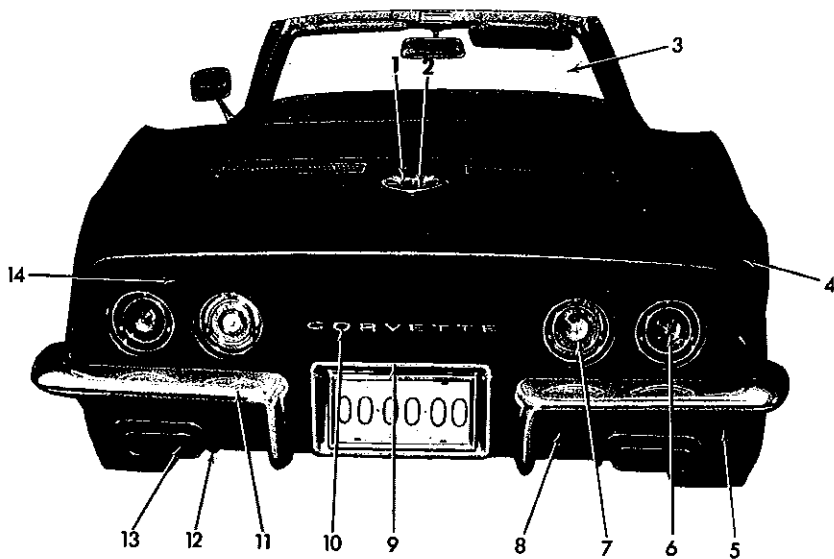
- | | |
|---------------------|----------------------|
| 1. 7.831 BAR | 13. 3.705 PIPE |
| 2. 8.130 PANEL | 14. 2.575 LAMP ASSY. |
| 3. 8.000 PANEL | 15. 10.527 HANDLE |
| 4. 10.130 PANEL | 16. 10.550 CYLINDER |
| 5. 10.027 GLASS | 17. 10.351 DOOR |
| 6. 10.093 MOULDING | 18. 12.075 MOULDING |
| 7. 10.681 GLASS | 19. 10.658 MIRROR |
| 8. 12.810 PANEL | 20. 8.304 MOULDING |
| 9. 12.075 MOULDING | 21. 5.858 COVER |
| 10. 12.810 MOULDING | 22. 5.803 WHEEL |
| 11. 12.940 PANEL | 23. 2.575 LAMP ASSY. |
| 12. 7.831 BAR | 24. 7.828 GUARD |



10-89

1970-72 CORVETTE FRONT END

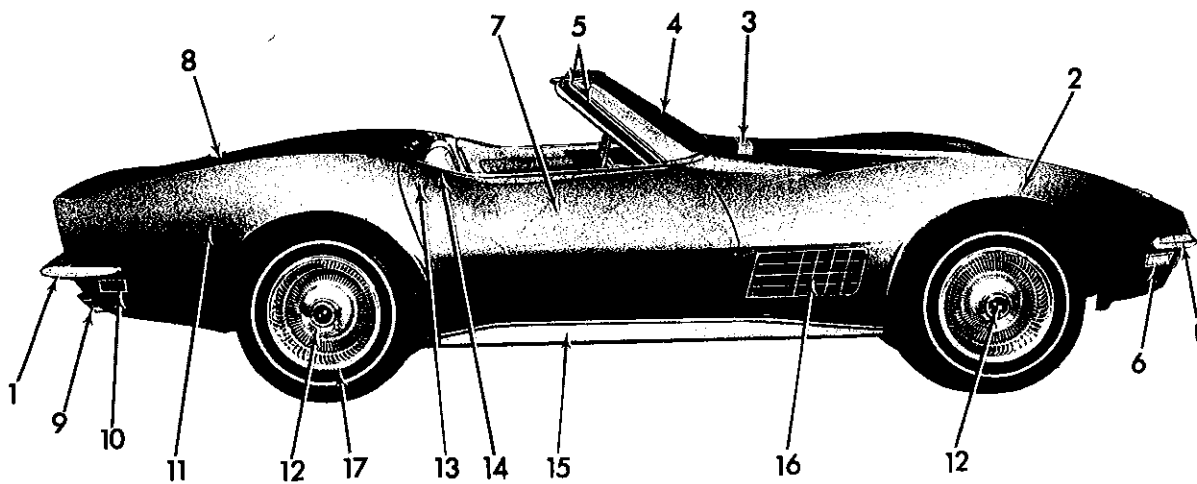
- | | | | | | |
|----|--------|---------------|-----|--------|---------------|
| 1. | 2.770 | HOUSING | 10. | 2.585 | LAMP ASSY. |
| 2. | 8.130 | PANEL | 11. | 1.268 | MOULDING |
| 3. | 10.093 | MOULDING | 12. | 12.810 | PANEL - LOWER |
| 4. | 12.810 | PANEL - UPPER | 13. | 1.303 | EMBLEM |
| 5. | 10.185 | MIRROR | 14. | 7.828 | GUARD |
| 6. | 10.027 | GLASS | 15. | 7.831 | BAR |
| 7. | 10.185 | MIRROR | 16. | 1.287 | EXTENSION |
| 8. | 8.000 | PANEL | 17. | 1.266 | GRILLE |
| 9. | 2.575 | LAMP ASSY. | | | |



10-90

1970-72 CORVETTE REAR END

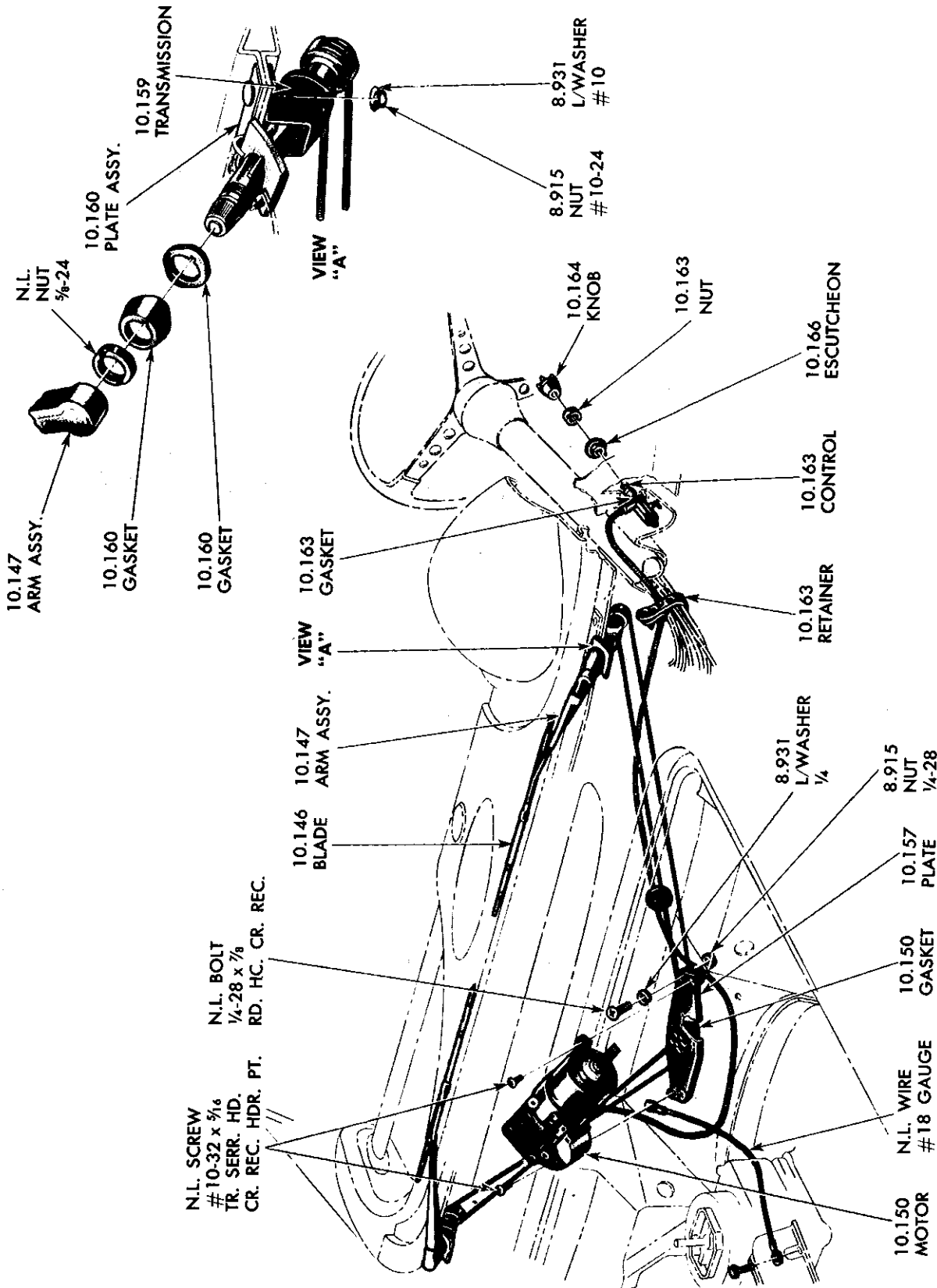
- | | | | | | |
|----|--------|------------|-----|--------|-------------|
| 1. | 12.945 | EMBLEM | 8. | 12.981 | PANEL |
| 2. | 12.945 | DOOR ASSY. | 9. | 7.800 | BEZEL |
| 3. | 11.204 | GLASS | 10. | 12.182 | LETTER UNIT |
| 4. | 12.940 | PANEL | 11. | 7.831 | BAR |
| 5. | 12.981 | PANEL | 12. | 3.705 | BEZEL |
| 6. | 2.679 | LAMP ASSY. | 13. | 3.705 | PIPE |
| 7. | 2.679 | LAMP ASSY. | 14. | 12.986 | PANEL |



10-91

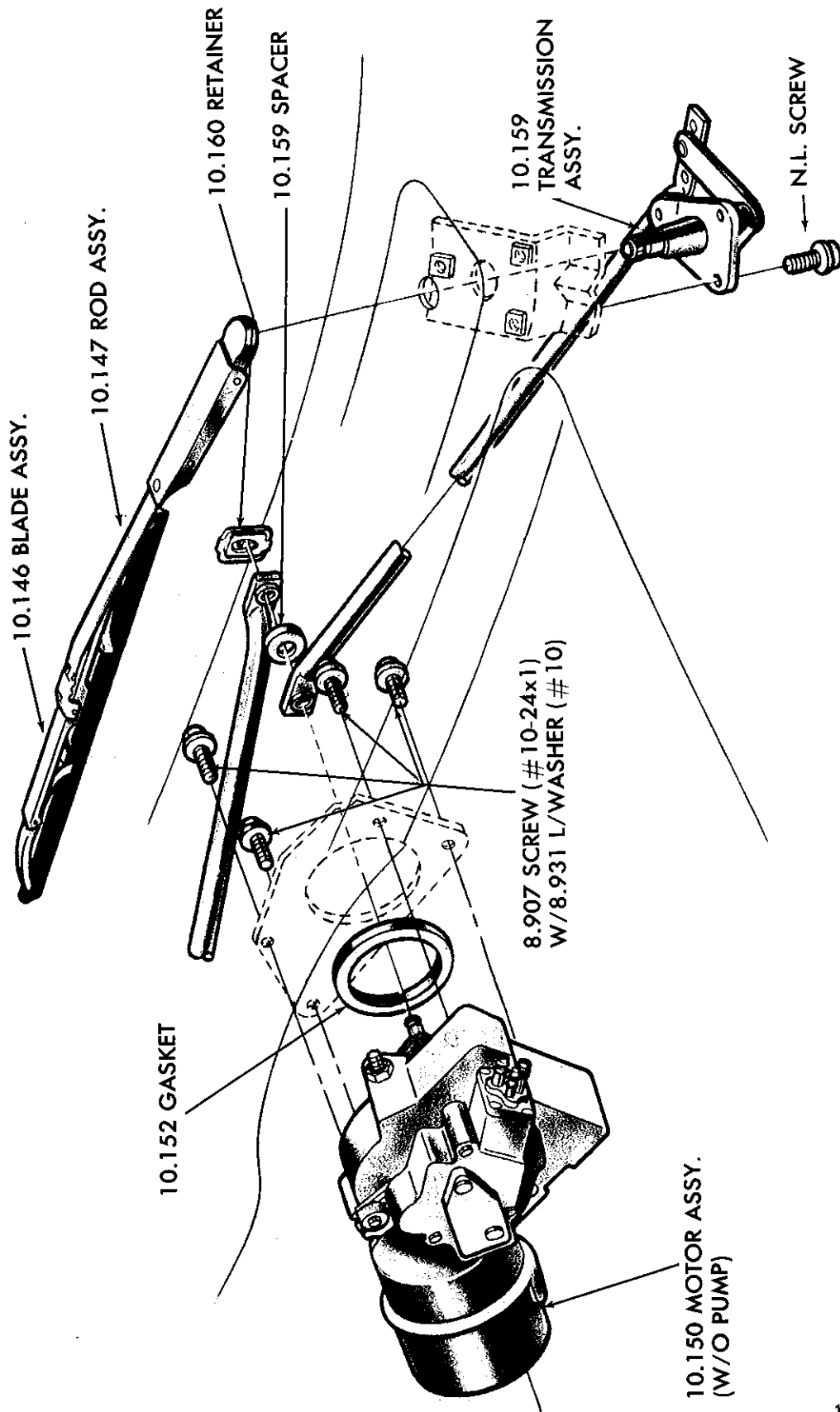
1970-72 CORVETTE CONVERTIBLE

| | | | | | |
|----|--------|------------|-----|--------|------------|
| 1. | 7.831 | BAR | 10. | 2.575 | LAMP ASSY. |
| 2. | 8.130 | PANEL | 11. | 12.940 | PANEL |
| 3. | 10.130 | PANEL | 12. | 5.858 | COVER |
| 4. | 10.027 | GLASS | 13. | 10.550 | CYLINDER |
| 5. | 10.093 | MOULDING | 14. | 10.527 | HANDLE |
| 6. | 2.575 | LAMP ASSY. | 15. | 8.304 | MOULDING |
| 7. | 10.351 | DOOR | 16. | 8.147 | LOUVER |
| 8. | 12.945 | DOOR ASSY. | 17. | 5.803 | WHEEL |
| 9. | 3.705 | PIPE | | | |



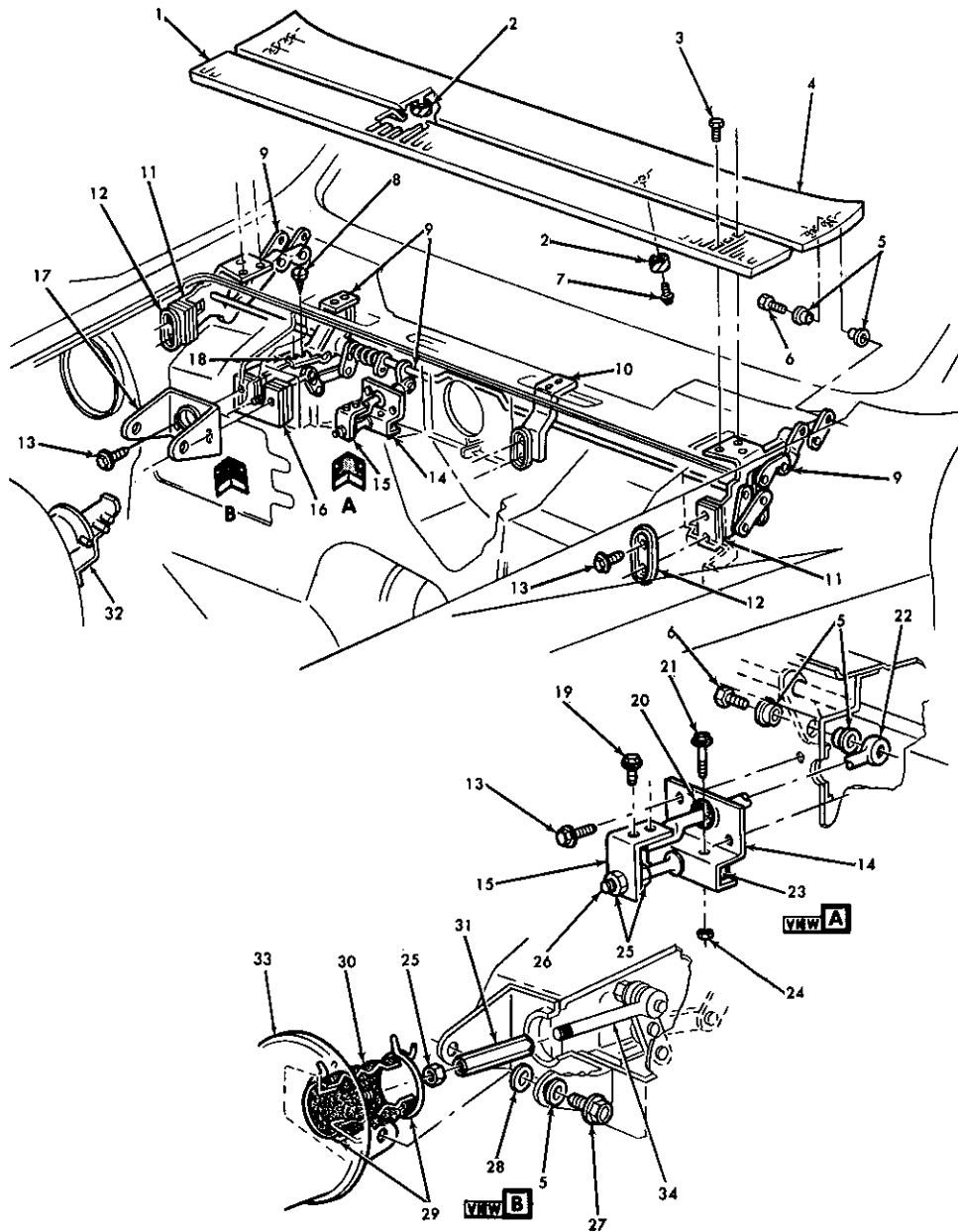
10-320

1958-62 CORVETTE WINDSHIELD WIPER PARTS



10-321

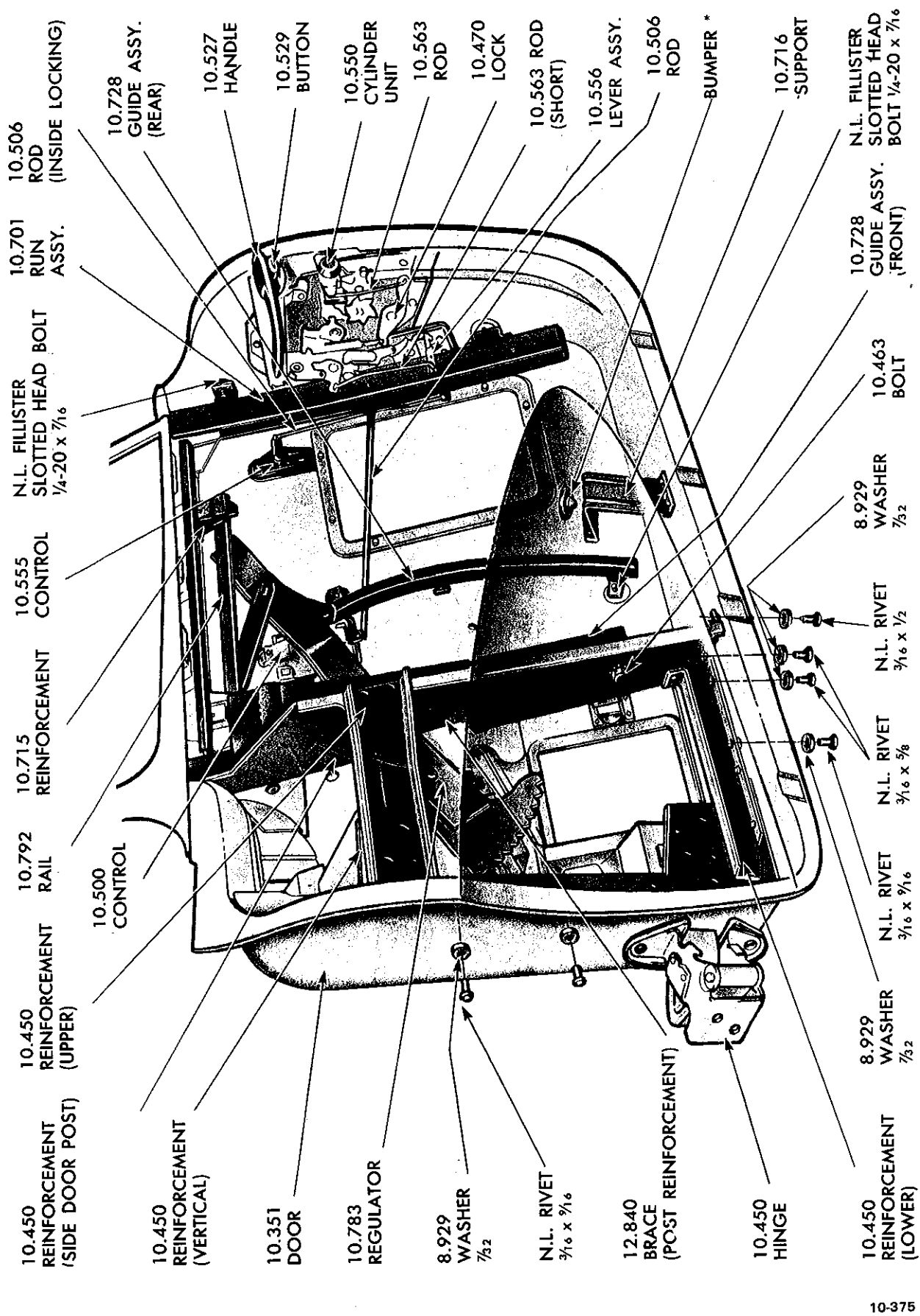
1963-67 CORVETTE WINDSHIELD WIPER LINKAGE



10-322

1968-72 CORVETTE WINDSHIELD WIPER ACCESS DOOR AND CONTROLS

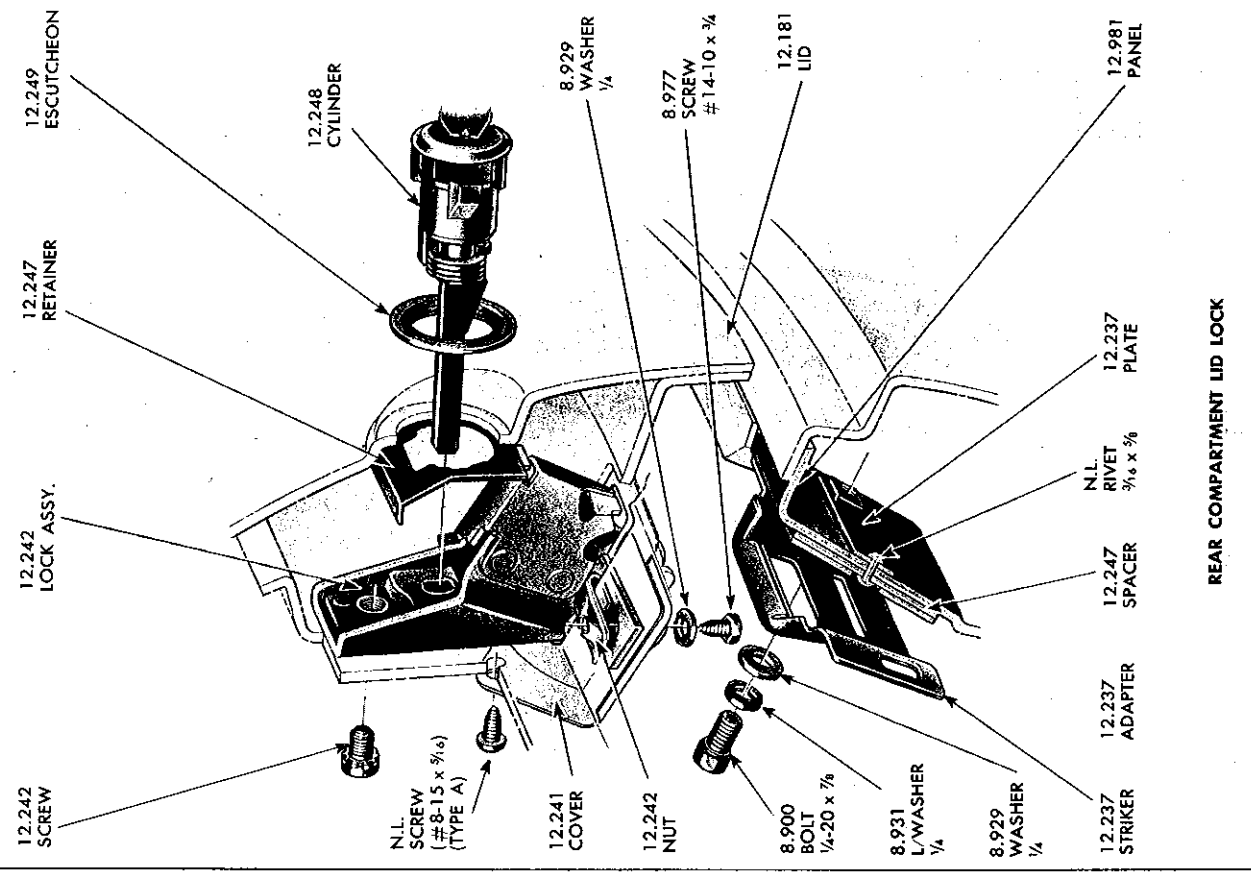
| | | | | | |
|------------|-------------------------|---------|------------|--------------------------|---------|
| 1. 12.800 | PANEL | 3938153 | 20. 10.130 | GROMMET | 3922395 |
| 2. 10.130 | BUMPER (1968-69) | 3933850 | 21. 8.906 | SCREW (#6-32 x 1) | |
| 3. 8.900 | BOLT | | 8.931 | L/WASHER (#6) | |
| 4. 10.130 | PANEL | 3942792 | 22. 10.163 | ROD | 3922390 |
| 5. 10.130 | BUSHING | 3922010 | 23. 10.163 | SWITCH ASSY. | 3951280 |
| 6. 10.130 | BOLT | 3945216 | 24. 8.915 | NUT (#6-32) | |
| 7. 8.913 | SCREW (#6-32 x 5/16) | | 25. 8.915 | NUT (1/4-20) | |
| 8. 8.977 | SCREW (#8-32 x 1/2) | | 26. 10.130 | STUD | 3922392 |
| 9. 10.130 | CONTROL ASSY. | 3953000 | 27. 10.130 | BOLT (1968-69) | 3945359 |
| 10. 10.130 | BRACKET | 3918519 | 28. 10.130 | WASHER | 3922388 |
| 11. 12.840 | EXTENSION | 3824485 | 29. 1.166 | CLAMP | 3692864 |
| 12. 10.130 | REINFORCEMENT | 3921586 | 30. 10.130 | BOOT | 3966577 |
| 13. 8.977 | SCREW (#10-24 x 5/8) | | 31. 10.130 | NUT (1968) | 3922014 |
| 14. 10.163 | BRACKET | 3928809 | 10.130 | NUT (1969-72) | 3948074 |
| 15. 10.130 | EXTENSION | 3942787 | 32. 10.130 | RELAY ASSY. | 5638427 |
| 16. 10.130 | SHIM | 3926483 | 33. 10.130 | ACTUATOR ASSY. (1968-69) | 5638483 |
| 17. 10.130 | REINFORCEMENT (1968-69) | 3922347 | 10.130 | ACTUATOR ASSY. (1970) | 5638504 |
| 18. 10.130 | REINFORCEMENT (1970-72) | 3966558 | 10.130 | ACTUATOR ASSY. (1971-72) | 5638505 |
| 19. * | SPRING | | 34. 10.130 | ROD (1968) | 3921589 |
| | SCREW (#10-24 x 3/4) | | 10.130 | ROD (1969-72) | 3948066 |



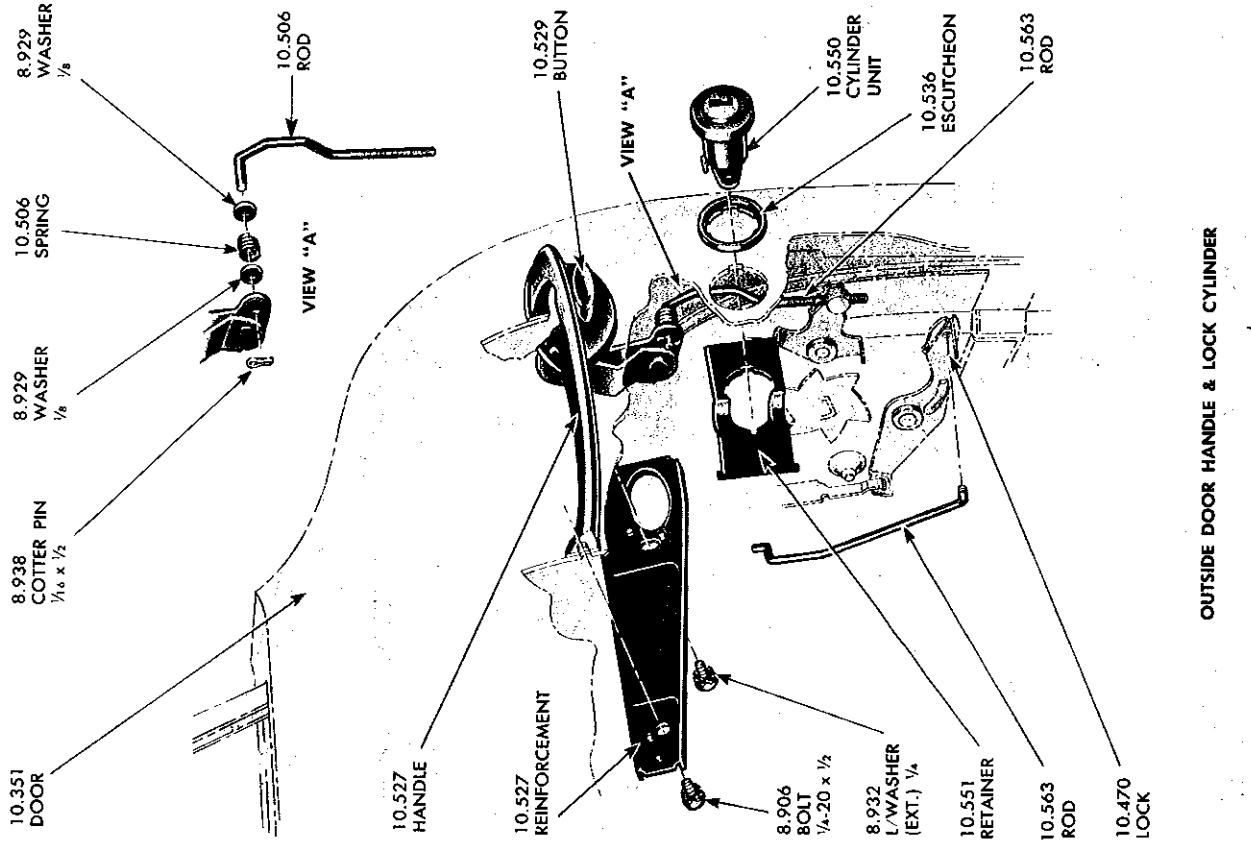
*Removed from service

1958-62 CORVETTE DOOR AND PARTS

10-375



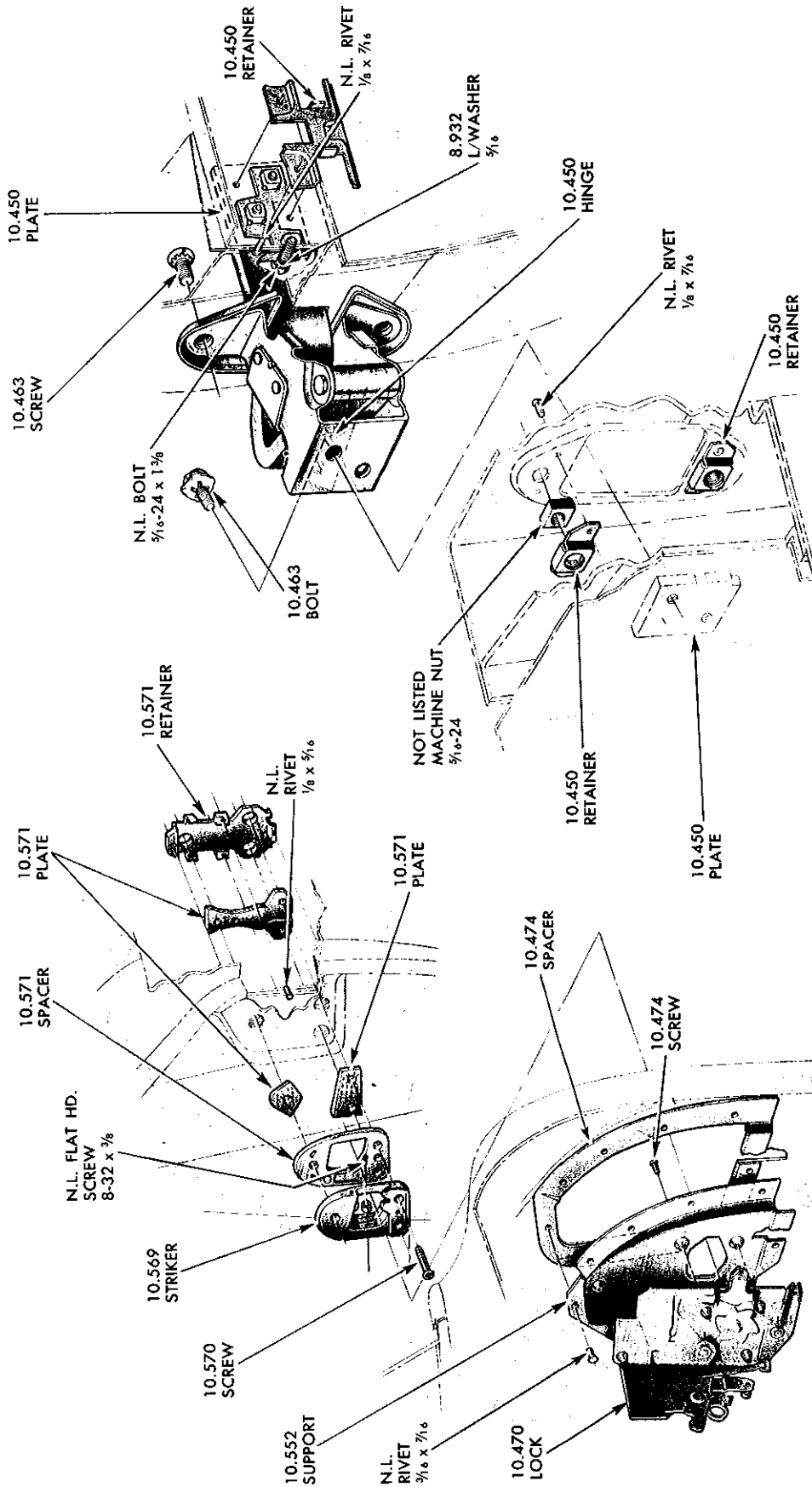
REAR COMPARTMENT LID LOCK



OUTSIDE DOOR HANDLE & LOCK CYLINDER

1958-62 CORVETTE DOOR AND REAR COMPARTMENT LOCKS

10-376

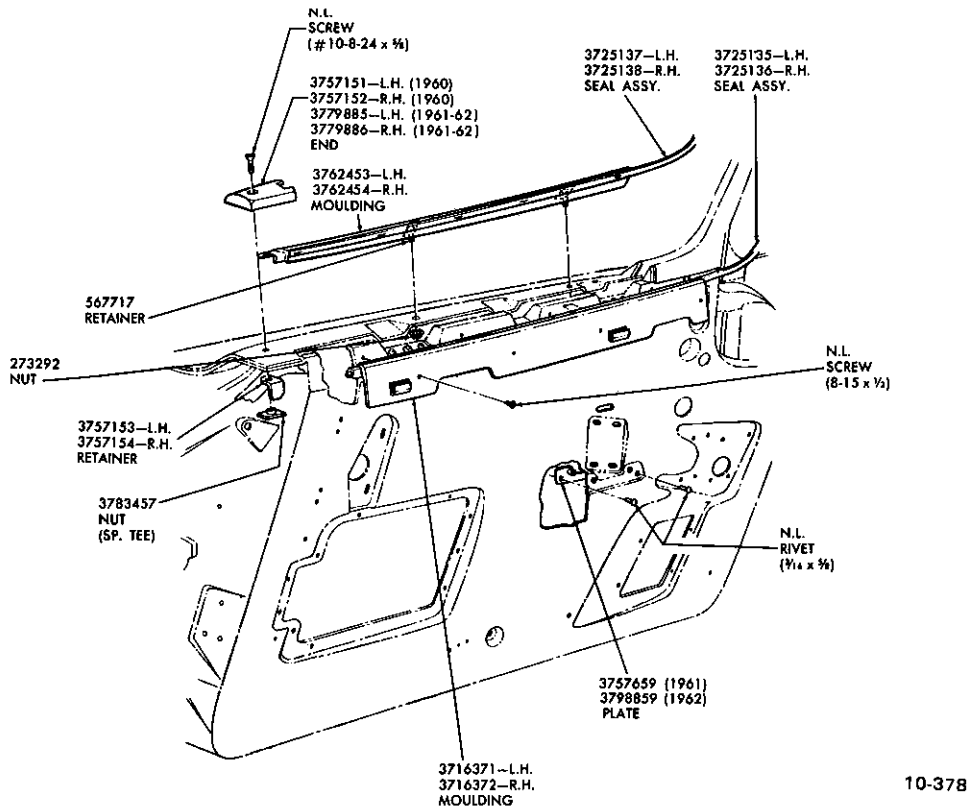


DOOR HINGE

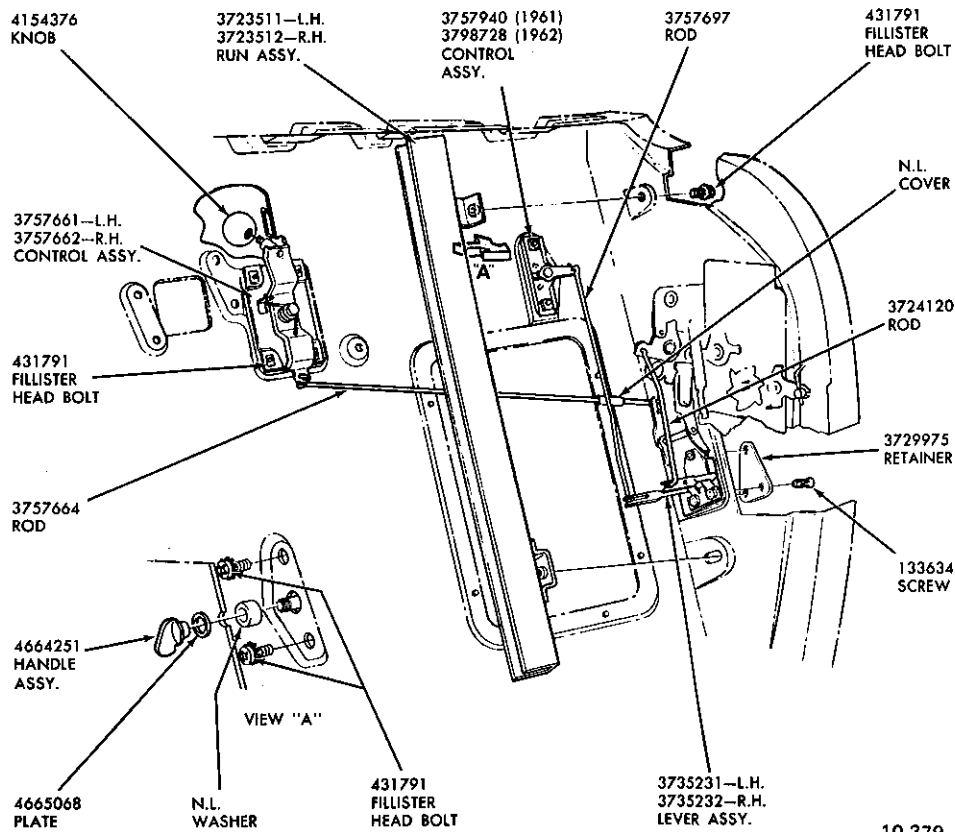
LOCK AND STRIKER

10-377

1958-62 CORVETTE DOOR HINGE AND LOCK STRIKER

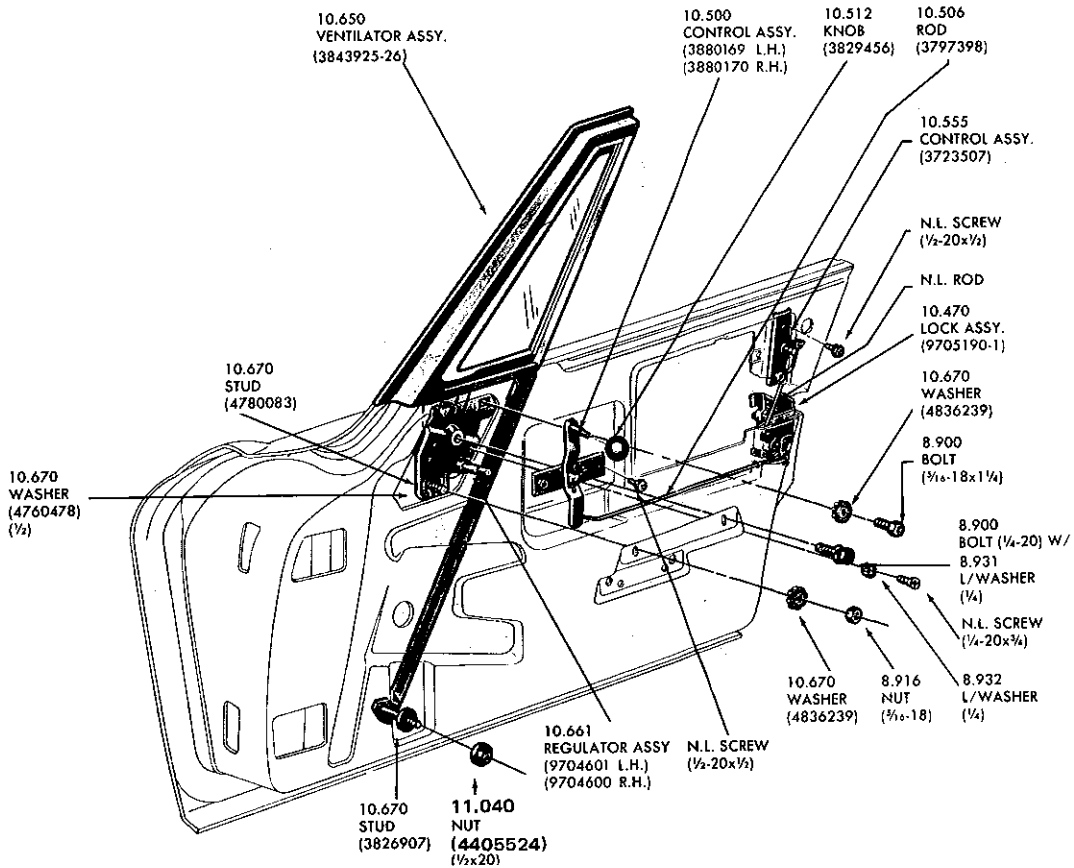


10-378



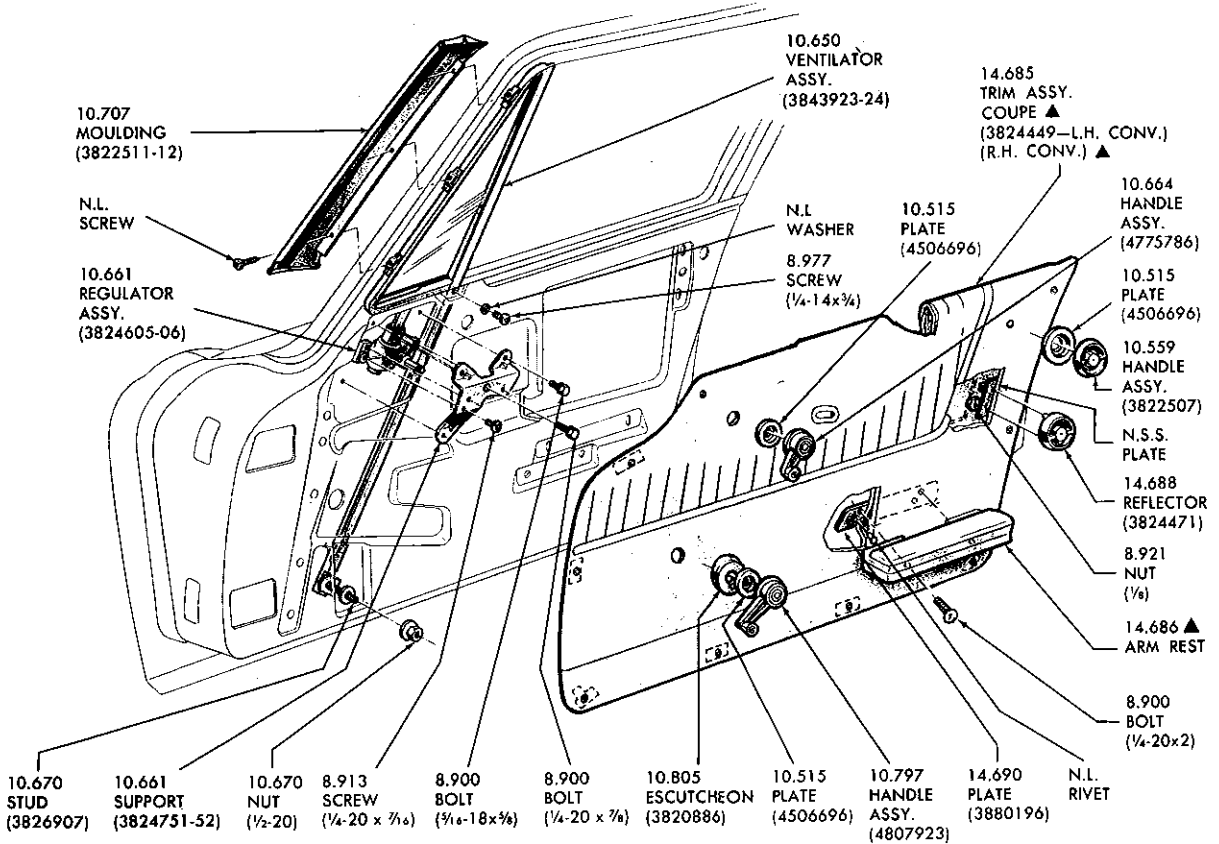
10-379

1960-62 CORVETTE DOOR DETAILS



10-380

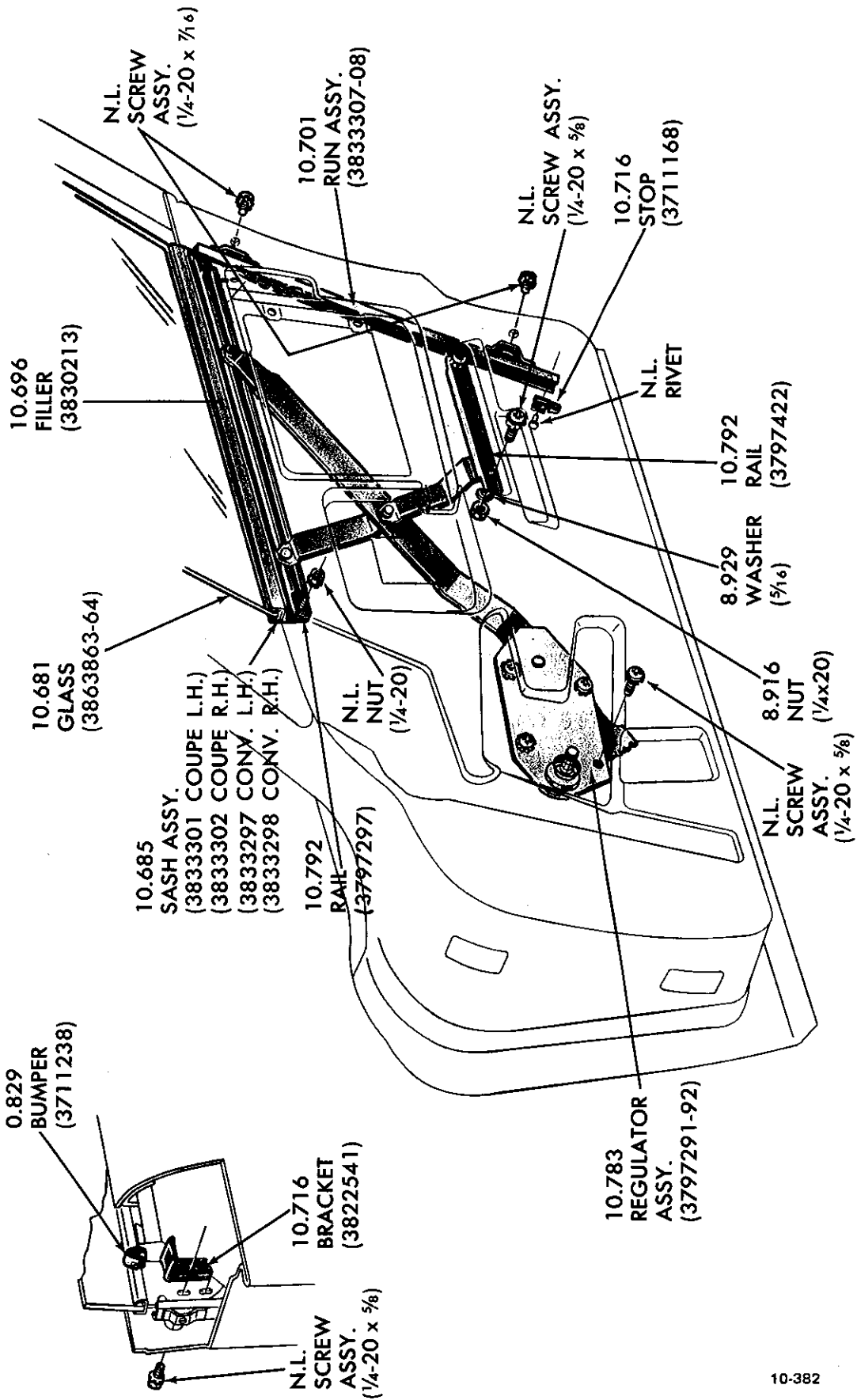
1963-66 CORVETTE CONVERTIBLE VENT AND LOCK DETAILS



10-381

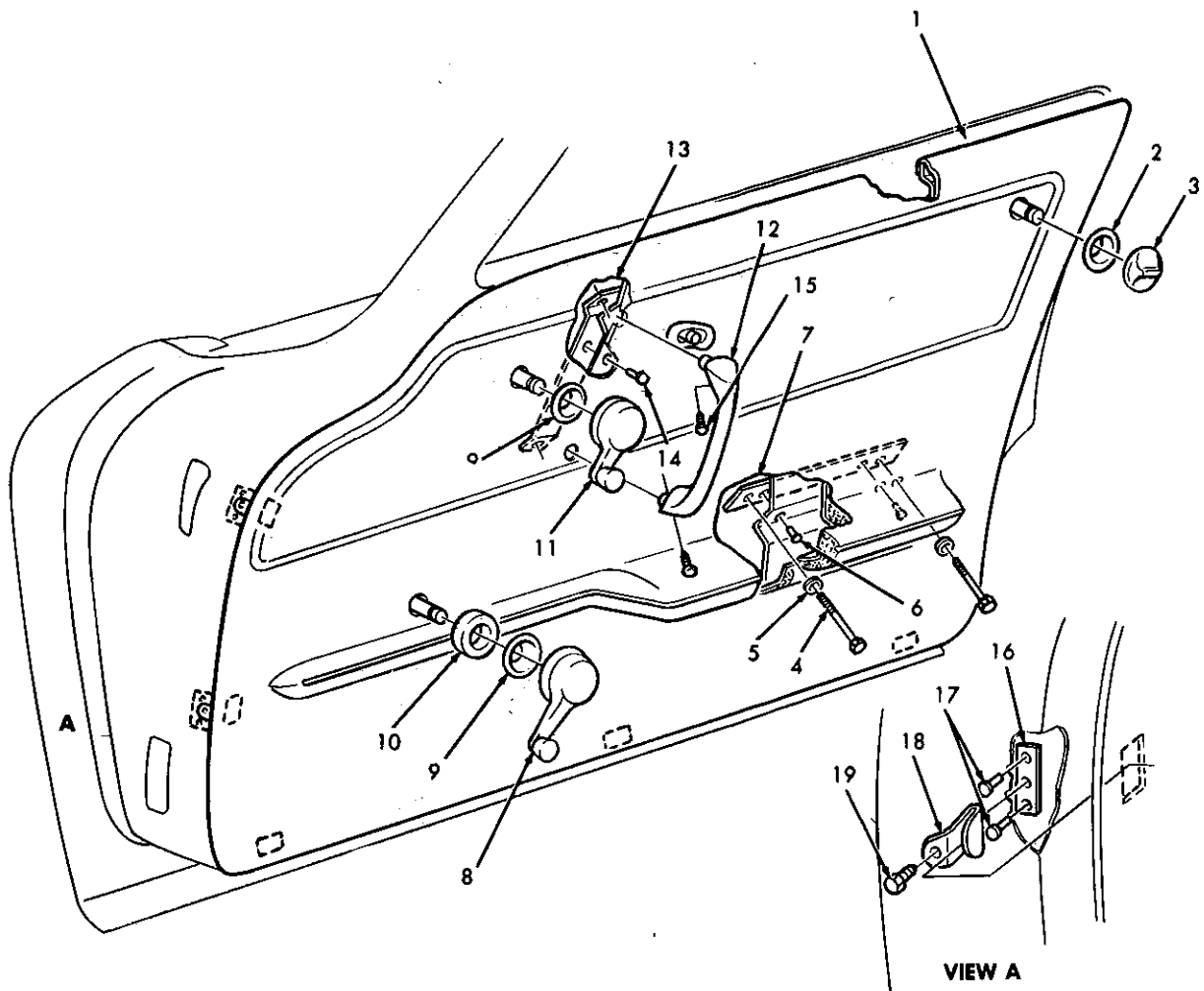
▲ REMOVED FROM SERVICE—NOT AVAILABLE

1963-66 CORVETTE COUPE VENT AND DOOR TRIM DETAILS



10-382

1963-66 CORVETTE WINDOW CHANNEL DETAILS

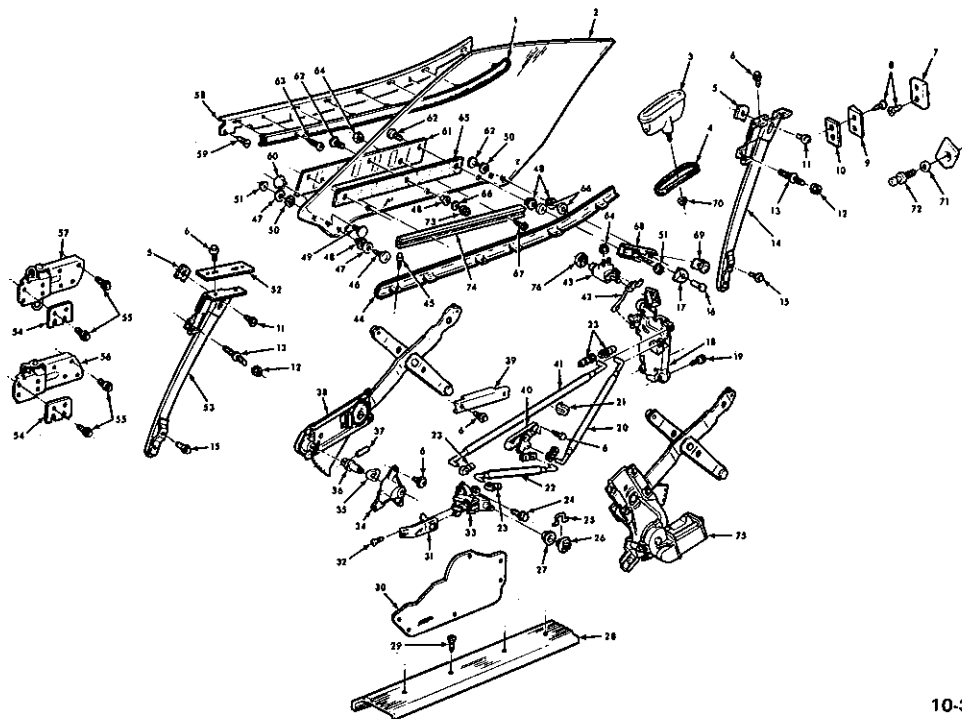


10-383

1965-66 CORVETTE SIDE DOOR TRIM PANEL

| | | | |
|-------------------------------------|-------------|---|---------|
| 1. 14.685 TRIM ASSY.—COUPE | 3862833-34+ | 10. 10.805 ESCUTCHEON | 3863688 |
| 14.685 TRIM ASSY.—CONV. | 3862835-36 | 11. 10.664 HANDLE ASSY.—VENT REG. | 4468653 |
| 2. 10.515 PLATE—BEARING | 3863687 | 12. 14.691 HANDLE ASSY. | 3863716 |
| 3. 10.559 HANDLE ASSY. | 3863680 | 14.691 HANDLE ASSY. | 3956217 |
| 4. 8.907 SCREW (1/4—20 x 2) | | 13. N.S.S. PLATE ASSY.—Part of 10.351 Door Assy | |
| 5. 8.929 WASHER (5/16 x 3/4 x 1/16) | | 14. N.S. RIVET | |
| 6. 8.967 RIVET (3/16 x 5/8) | | 15. SCREW | 456857 |
| 7. 14.690 PLATE ASSY. | 3798859 | 16. 14.685 PLATE | 3826882 |
| 8. 10.797 HANDLE ASSY.—WINDOW REG. | 4468651 | 17. 8.967 RIVET (3/16 x 9/16) | |
| 9. 10.515 PLATE—BEARING | 4506696 | 18. 14.685 CLIP | 3866051 |
| | | 19. 8.977 SCREW (10—16 x 1/2) | |

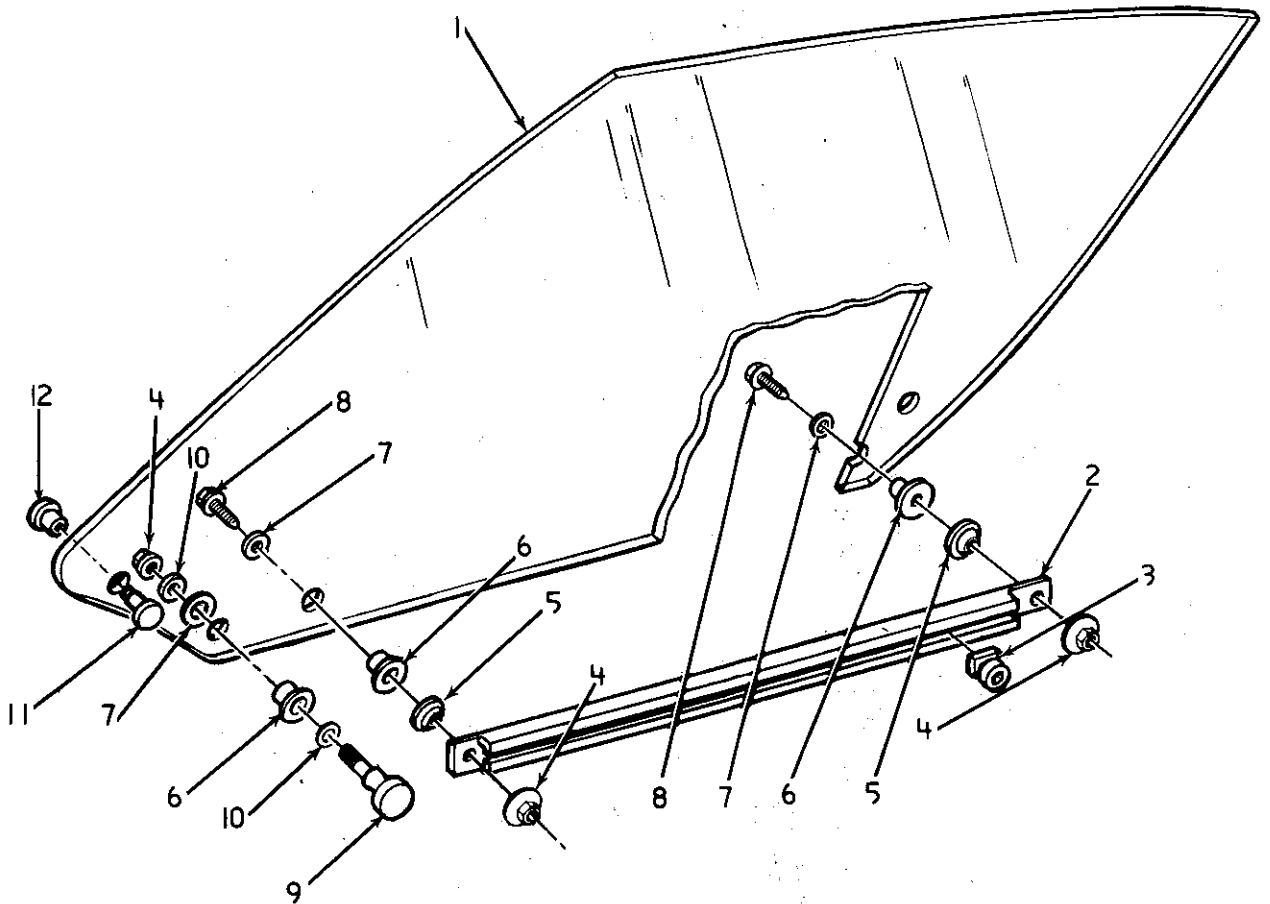
+L.H. Removed from service



10-384

1968-74 CORVETTE DOOR EXPLODED

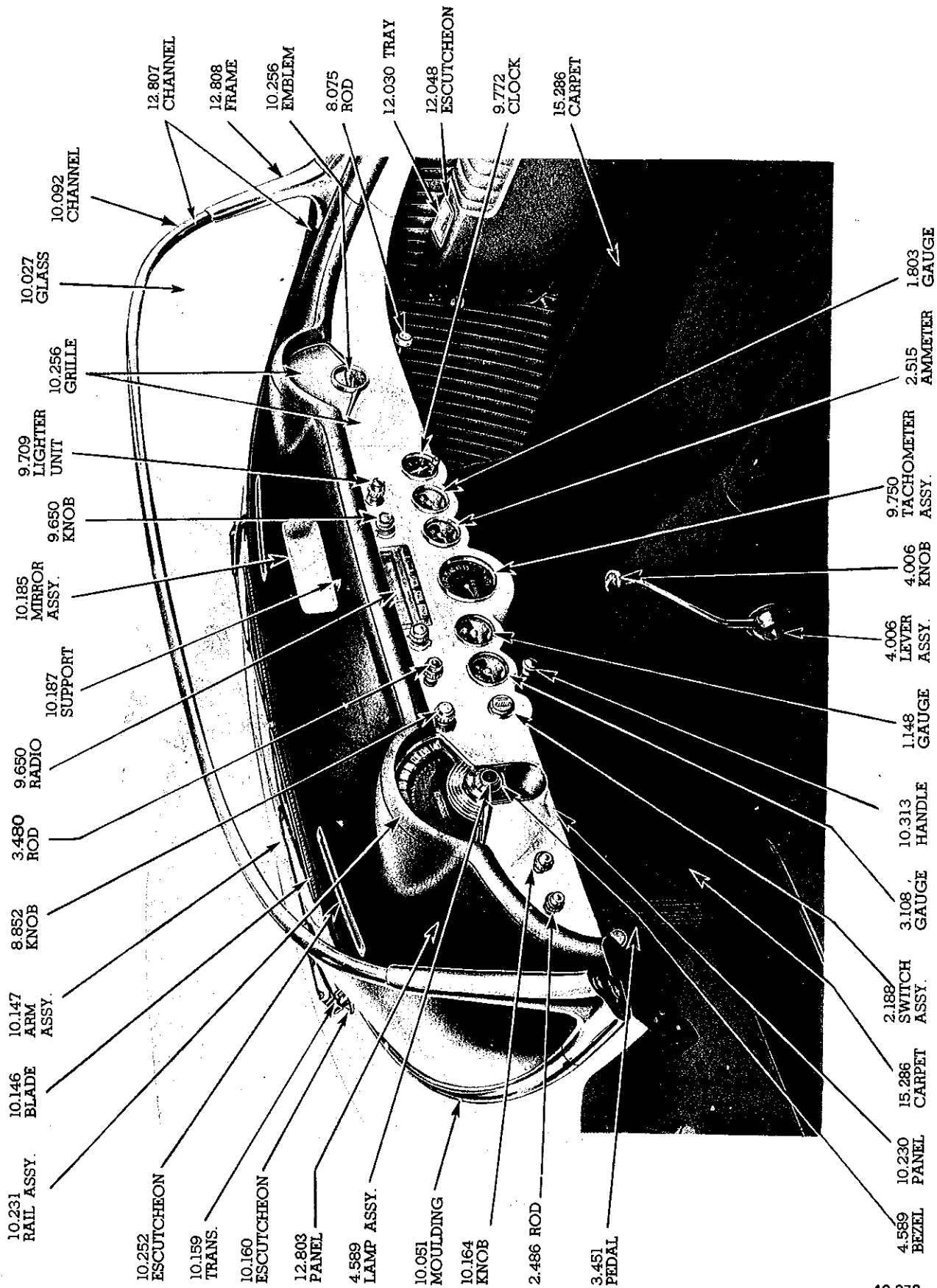
- | | |
|--------------------------------------|---------------------------------|
| 1. 10.710 SEAL ASSY. | 39. 10.792 CHANNEL ASSY. |
| 2. 10.681 GLASS | 40. 10.555 CONTROL ASSY. |
| 3. 10.529 HOUSING ASSY. | 41. 10.506 ROD ASSY. |
| 4. 10.529 SEAL | 42. 10.506 ROD ASSY. |
| 5. 10.716 STOP | 43. 10.529 LOCK UNIT |
| 6. 8.900 BOLT (1/4-20 x 5/8) | 44. 10.710 SEAL ASSY. |
| 7. 10.584 WEDGE | 45. 8.900 BOLT (#10-24 x 3/4) |
| 8. 8.977 SCREW (#8-18 x 3/4) | 46. 10.728 ROLLER ASSY. |
| 9. 10.584 PLATE | 47. 8.143 WASHER |
| 10. 10.584 SPACER | 48. 10.685 BUSHING |
| 11. 8.913 SCREW | 49. 10.685 BUSHING |
| 12. 10.728 NUT | 50. 10.792 WASHER |
| 13. 10.670 STUD | 51. 10.716 NUT |
| 14. 10.792 CAM ASSY. | 52. 10.792 PLATE |
| 15. 8.900 BOLT | 53. 10.701 CAM ASSY. |
| 16. N.L. RIVET (3/16 x 5/8) | 54. 10.450 SHIM |
| 17. 10.687 PAD | 55. 8.900 BOLT (3/8-16 x 1-1/8) |
| 18. 10.470 LOCK ASSY. | 56. 10.450 HINGE ASSY. |
| 19. 10.474 SCREW (#14-1/4-20 x 9/16) | 57. 10.450 HINGE ASSY. |
| 20. 10.506 ROD ASSY. | 58. 10.710 MOLDING |
| 21. 10.506 GUIDE | 59. 8.900 BOLT (#8-18 x 5/16) |
| 22. 10.506 ROD ASSY. | 60. 10.792 CAP |
| 23. 10.506 CLIP | 61. 10.685 FRAME |
| 24. 8.900 BOLT (1/4-20 x 5/8) | 62. 10.792 BOLT (1/4-20 x 7/8) |
| 25. 10.513 SPRING | 63. 8.977 SCREW (#8-18 x 3/8) |
| 26. 10.559 KNOB | 64. 8.915 NUT (#12-24) |
| 27. 10.515 PLATE | 65. 10.792 FILLER |
| 28. 11.175 PLATE | 66. 10.792 WASHER |
| 29. 8.977 SCREW (#10-16 x 3/4) | 67. 8.900 BOLT (#10-24 x 7/16) |
| 30. 10.355 COVER | 68. 10.687 CAM IDLER |
| 31. 10.512 HANDLE | 69. 10.728 ROLLER ASSY. |
| 32. N.L. SCREW | 70. 9.782 NUT |
| 33. 10.500 CONTROL ASSY. | 71. 8.929 SPACER |
| 34. 10.783 HOUSING | 72. 10.569 STRIKER |
| 35. 8.928 WASHER-SPRING | 73. 10.716 NUT |
| 36. 10.783 SHAFT | 74. 10.685 CHANNEL |
| 37. N.L. PIN (3/16 x 7/8) | 75. 10.783 MOTOR ASSY. |
| 38. 10.783 REGULATOR | 76. 10.536 BEZEL |



10-385

1971-74 CORVETTE GLASS AND FRAME

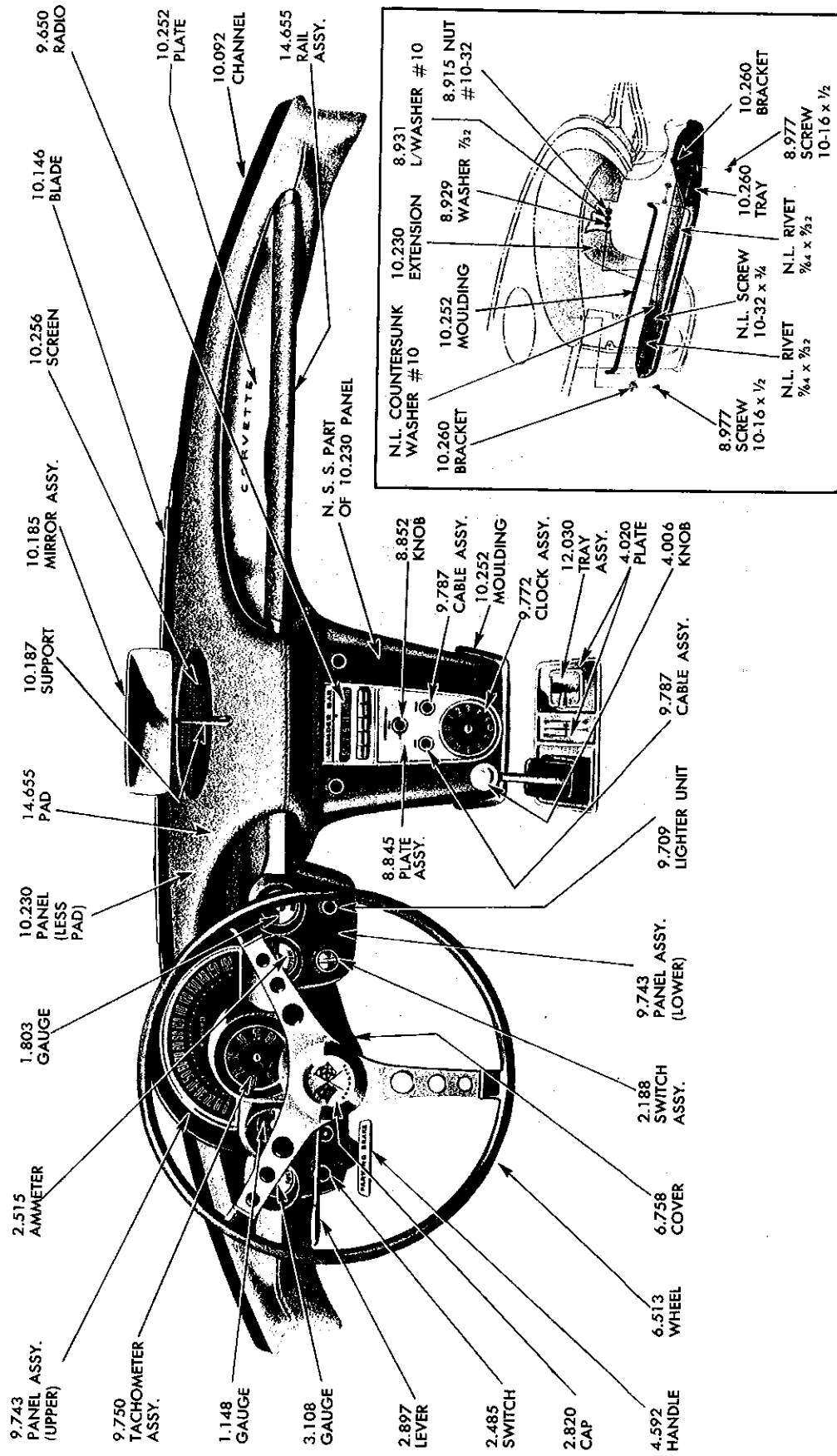
| | | | |
|-----------------------------|------------|------------------------|---------|
| 1. 10.681 GLASS (Spt. Cpe.) | 3956085-86 | 7. 10.792 WASHER | 4491085 |
| 10.681 GLASS (Conv.) | 3956087-88 | 8. 10.792 BOLT | 8712549 |
| 2. 10.685 CHANNEL | 3953070 | 9. 10.728 ROLLER ASSY. | 3919799 |
| 3. 10.728 ROLLER ASSY. | 9710669 | 10. 8.143 WASHER | 3704579 |
| 4. 10.716 NUT | 4801719 | 11. 10.685 BUSHING | 7698789 |
| 5. 10.792 NUT | 4491088 | 12. 10.792 CAP | 7698790 |
| 6. 10.792 BUSHING | 4491087 | | |



10-270

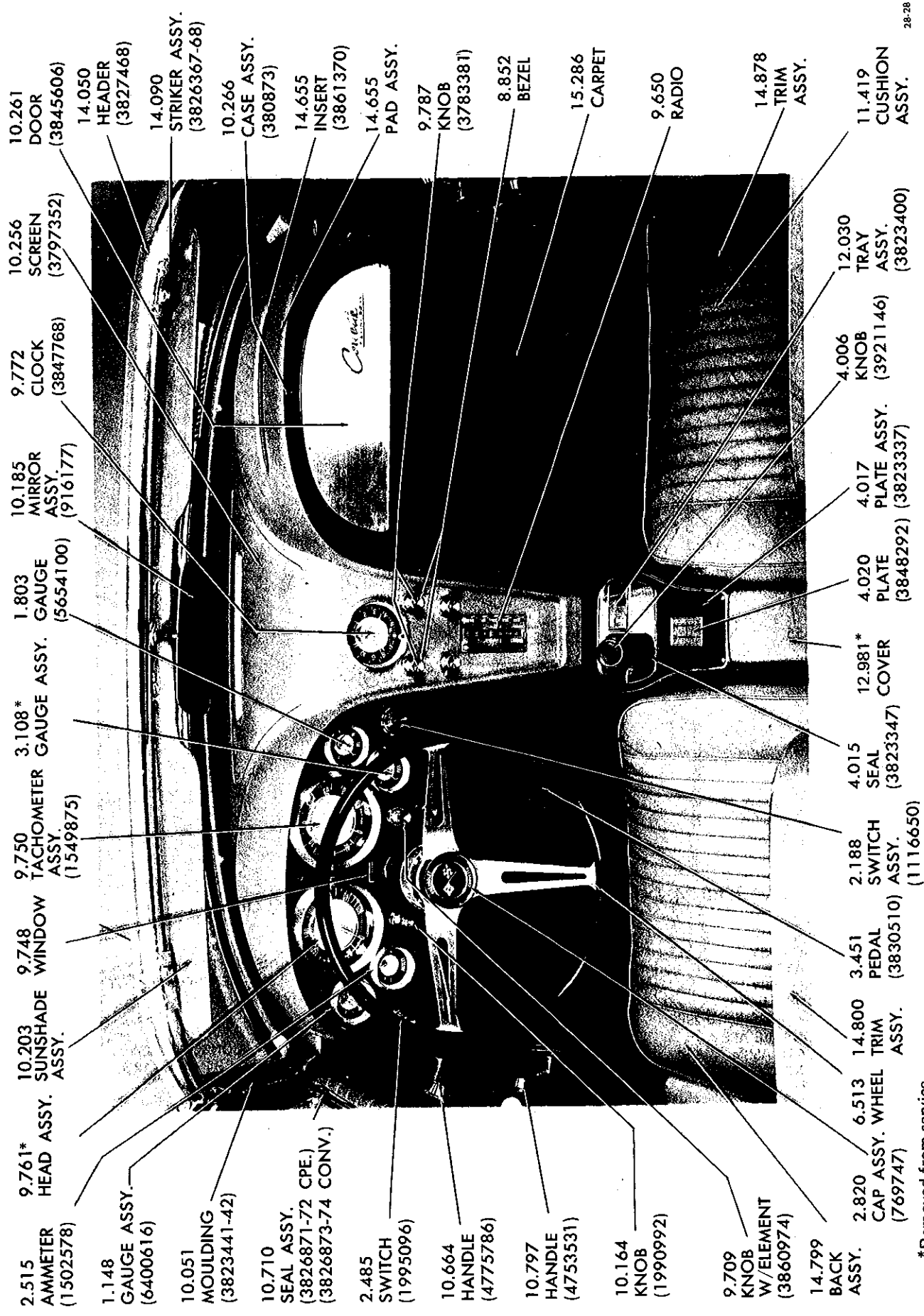
1953-55 CORVETTE INSTRUMENT PANEL

© 1975 GM PARTS DIVISION, GENERAL MOTORS CORPORATION — CHEVROLET — 14



10-272

1958-62 CORVETTE INSTRUMENT PANEL

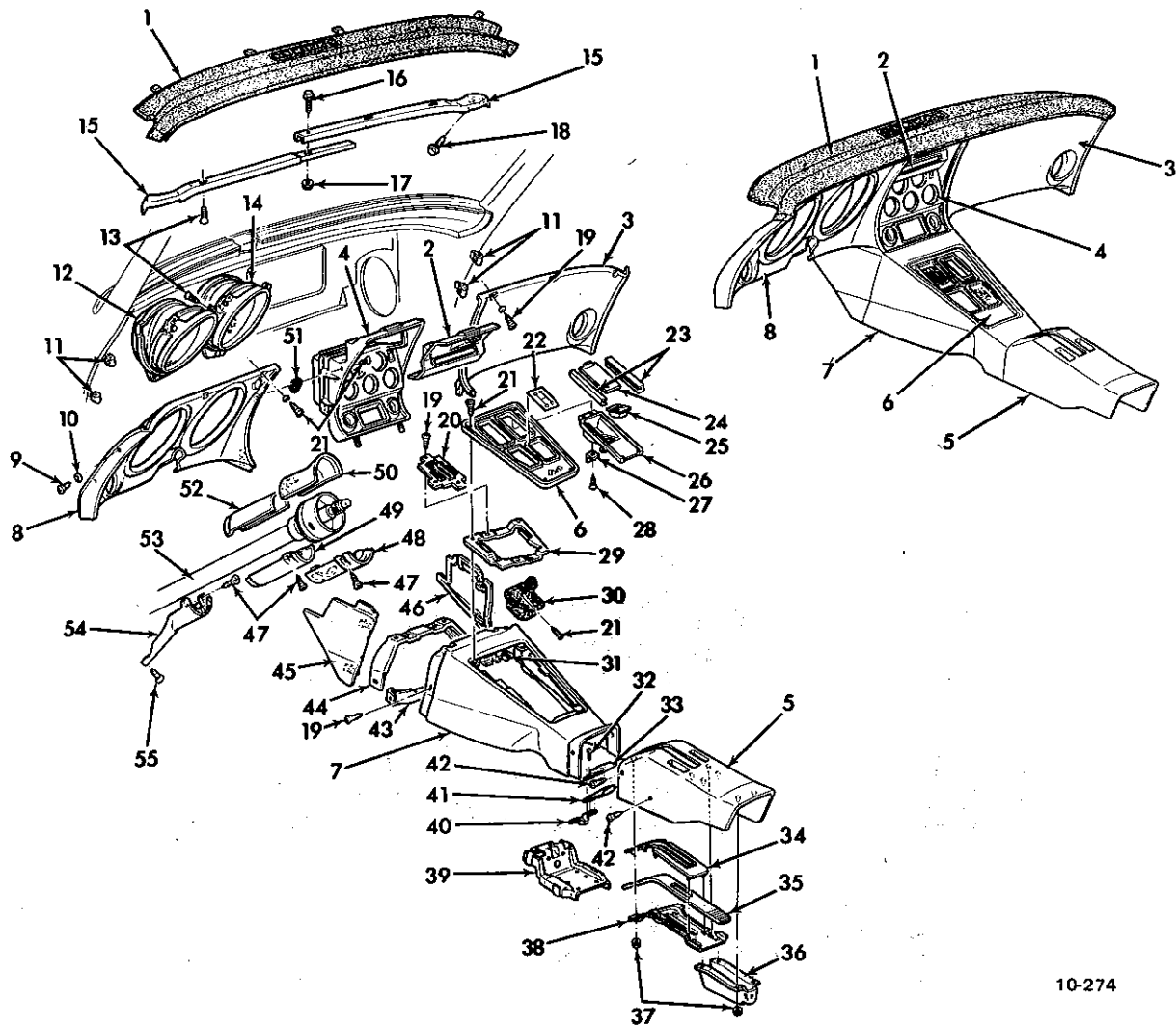


- 2.515 AMMETER (1502578)
- 1.148 GAUGE ASSY. (6400616)
- 10.051 MOULDING (3823441-42)
- 10.710 SEAL ASSY. (3826871-72 CPE.) (3826873-74 CONV.)
- 2.485 SWITCH (1995096)
- 10.664 HANDLE (4775786)
- 10.797 HANDLE (4753531)
- 10.164 KNOB (1990992)
- 9.709 KNOB W/ELEMENT (3860974)
- 14.799 BACK ASSY.
- 2.820 CAP ASSY. (769747)
- 6.513 WHEEL TRIM ASSY. (3830510)
- 3.451 PEDAL (3830510)
- 2.188 SWITCH (1116650)
- 4.015 SEAL (3823347)
- 12.981* COVER (3823337)
- 4.020 PLATE (3848292)
- 4.017 PLATE ASSY. (3823337)
- 4.006 KNOB (3921146)
- 12.030 TRAY ASSY. (3823400)
- 11.419 CUSHION ASSY.
- 14.878 TRIM ASSY.
- 9.650 RADIO
- 15.286 CARPET
- 8.852 BEZEL
- 9.787 KNOB (3783381)
- 14.655 PAD ASSY.
- 14.655 INSERT (3861370)
- 10.266 CASE ASSY. (380873)
- 14.090 STRIKER ASSY. (3826367-68)
- 14.050 HEADER (3827468)
- 10.261 DOOR (3845606)
- 10.256 SCREEN (3797352)
- 9.772 CLOCK (3847768)
- 10.185 MIRROR ASSY. (916177)
- 1.803 GAUGE ASSY. (5654100)
- 3.108* TACHOMETER GAUGE ASSY. (1549875)
- 9.750 GAUGE ASSY. (1549875)
- 9.748 WINDOW (1549875)
- 10.203 SUNSHADE ASSY.
- 9.761* HEAD ASSY.
- 10.203 SUNSHADE ASSY.

1963-67 CORVETTE INSTRUMENT PANEL

10-273

* Removed from service

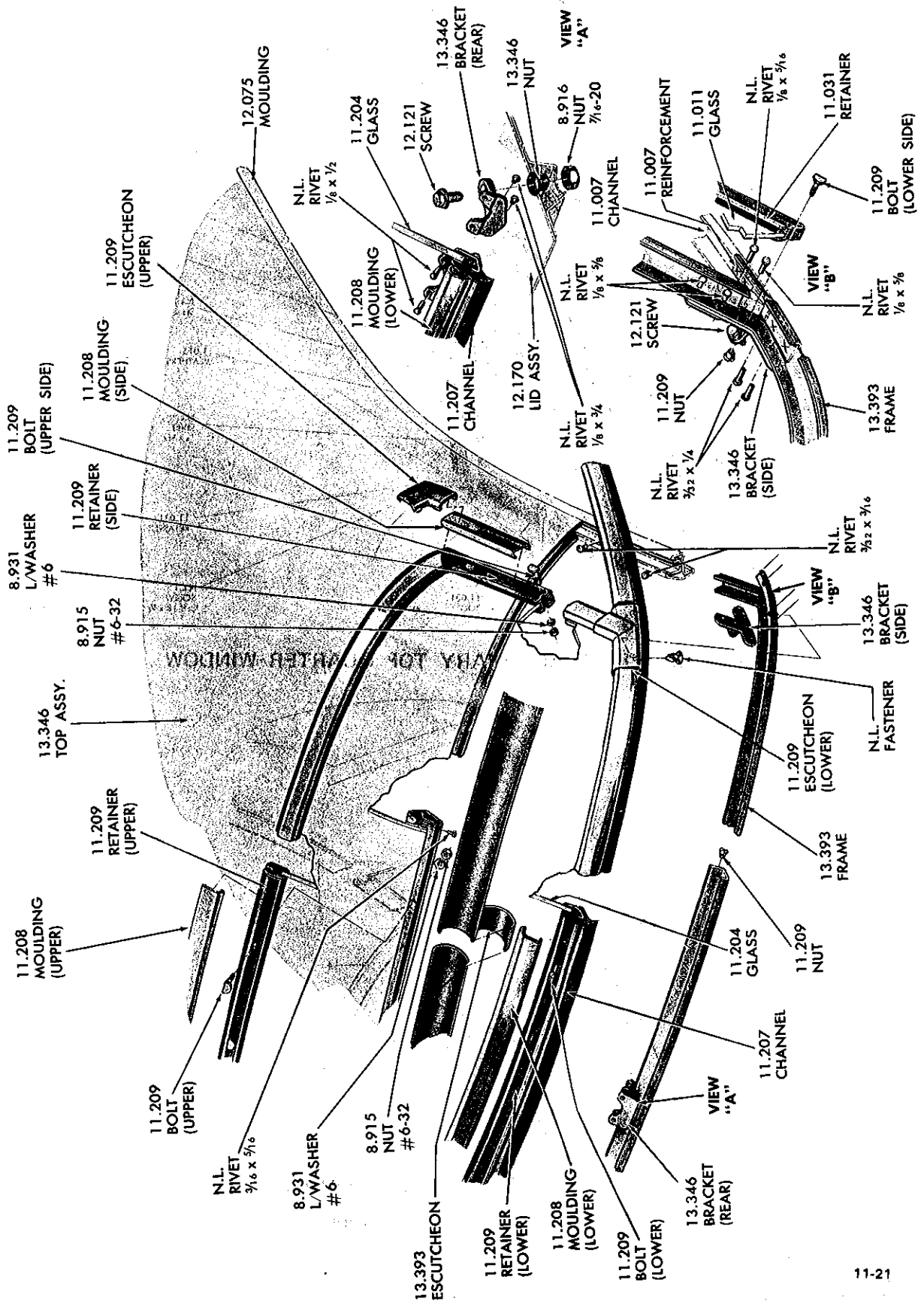


10-274

1968-74 CORVETTE INSTRUMENT PANEL—EXPLODED

- | | | |
|--------------------------------|--------------------------------|-------------------------------|
| 1. 14.655 PAD ASSY. | 19. 8.977 SCREW ASSY. | 38. 5.158 RETAINER |
| 2. 9.746 PLATE | 20. N.S.S. Part of 8.849 | 39. 12.981 REINFORCEMENT |
| 3. 14.655 PAD ASSY. | CONTROL ASSY. | 40. N.S.S. Part of 12.981 |
| 4. N.S. CLUSTER ASSY. | 21. 8.977 SCREW (#18-18 x 1/2) | CONSOLE ASSY. |
| See Illustration 9-29P | 22. 4.020 PLATE ASSY. | 41. N.S.S. Part of 12.981 |
| 5. 12.981 CONSOLE ASSY. | 23. 12.016 GUIDE ASSY. | CONSOLE ASSY. |
| 6. 4.017 PLATE ASSY. | 24. 12.009 COVER | 42. 8.977 SCREW (#8-18 x 3/4) |
| 7. 12.981 CONSOLE ASSY. | 25. 12.030 TRAY ASSY. | 43. 12.981 SUPPORT |
| 8. 14.655 PAD ASSY. | 26. 12.009 RETAINER | 44. 10.240 REINFORCEMENT |
| 9. 8.977 SCREW | 27. 2.530 TERMINAL | 45. 10.230 PANEL ASSY.—L.H. |
| 10. 14.655 EYELET | 28. 8.977 SCREW (#8-32 x 3/4) | 46. 10.230 PANEL ASSY.—R.H. |
| 11. 8.921 "J" NUT | 29. 8.854 HOUSING | 47. 8.977 SCREW (#6-20 x 1/2) |
| 12. N.S. SPEEDOMETER ASSY. | 30. 4.015 BOOT | 48. 6.518 SEAL |
| 13. 8.977 SCREW (#8-18 x 5/8) | 31. 8.921 "U" NUT (#8-18) | 49. 6.518 EXTENSION |
| 14. N.S. TACHOMETER ASSY. | 32. 8.967 RIVET | 50. 6.518 COVER |
| 15. 12.840 REINFORCEMENT | 33. 12.981 BEZEL | 51. N.L. RETAINER |
| 16. 8.900 BOLT (1/4-10 x 5/8) | 34. 12.981 RING | 52. 6.518 EXTENSION |
| 8.931 L/WASHER (1/4) | 35. 4.612 SEAL | 53. 6.518 COLUMN ASSY. |
| 17. 8.917 NUT (1/4-20) | 36. 12.981 REINFORCEMENT | 54. 6.518 COVER ASSY. |
| 8.932 WASHER (1/4) | 37. 8.921 NUT (#10-24) | 55. 8.977 SCREW |
| 18. 8.900 BOLT (5/16-18 x 7/8) | | |
| 8.931 L/WASHER (5/16) | | |

**GROUP 11.000
REAR QUARTER
WINDOW — SEAT
AND ADJUSTER**



11-21

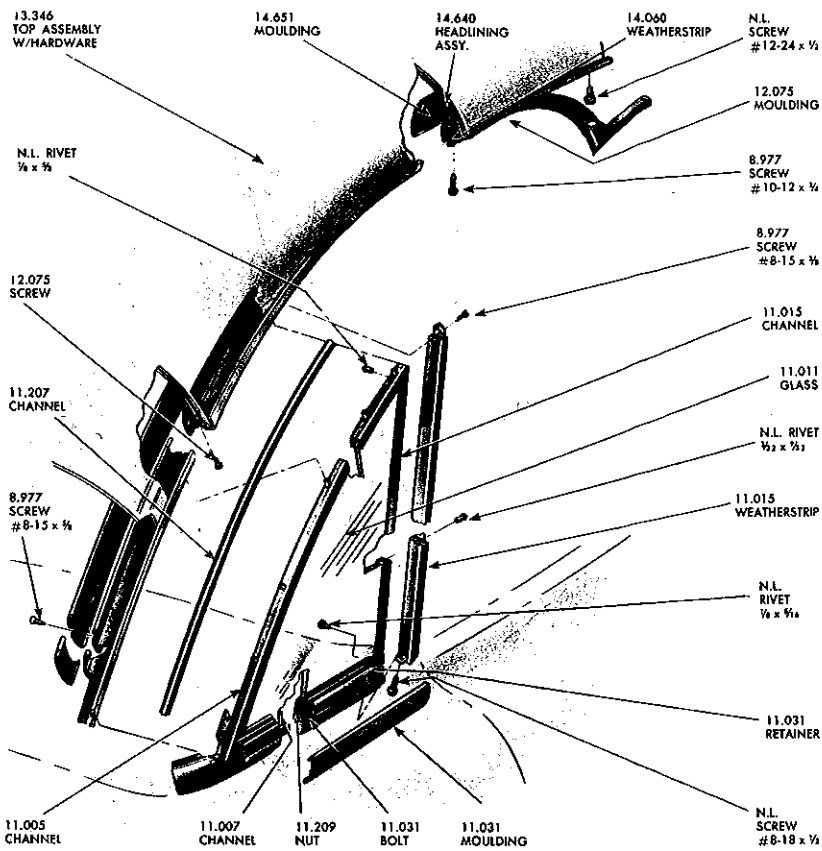
1958-62 CORVETTE AUXILIARY TOP REAR WINDOW

© 1975 GM PARTS DIVISION, GENERAL MOTORS CORPORATION — CHEVROLET — 14

REV. 1-75

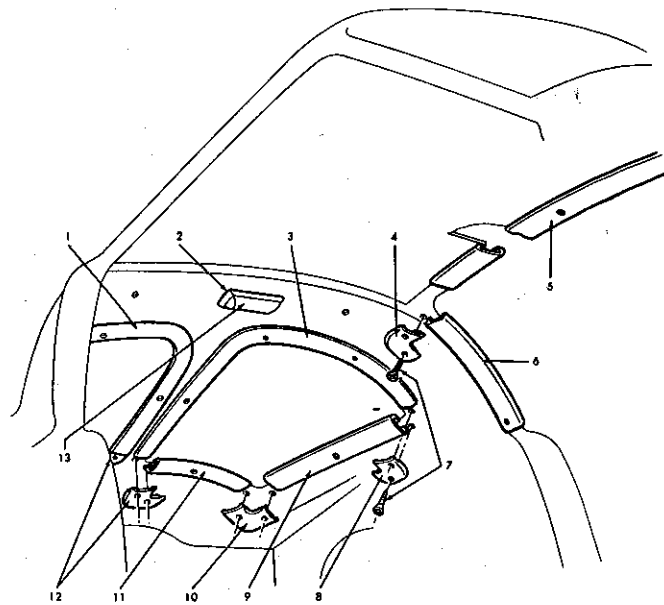
11-1 P

11.000-GROUP



11-22

1958-62 CORVETTE AUXILIARY TOP QUARTER WINDOW

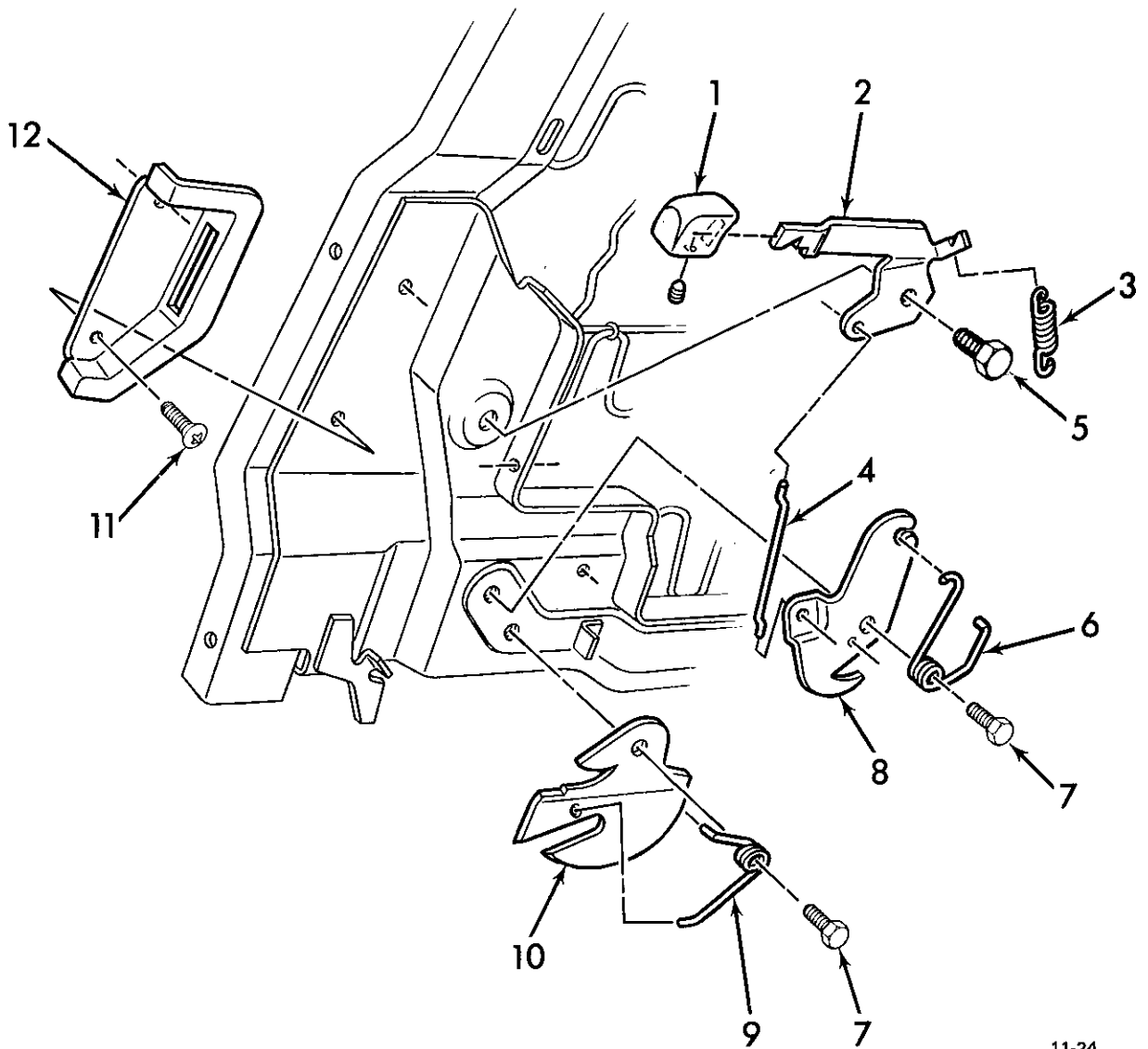


11-23

1963 CORVETTE COUPE GARNISH MOULDINGS

- | | | | |
|------------------------------|---------|---------------------|---------|
| 1. ▲ MOULDING | | 9. ▲ MOULDING | |
| 2. 11.928 REFLECTOR | 4237256 | 10. 11.120 MOULDING | 3825172 |
| 3. ▲ MOULDING | | 11. ▲ CAP | |
| 4. ▲ CAP | | 12. ▲ MOULDING | |
| 5. ▲ MOULDING | | 13. ▲ CAP | |
| 7. 8.977 SCREW (8-18 x 7/16) | | 13. 11.928 LENS | 4837868 |
| 8. ▲ CAP | | | |

▲ Removed from Service



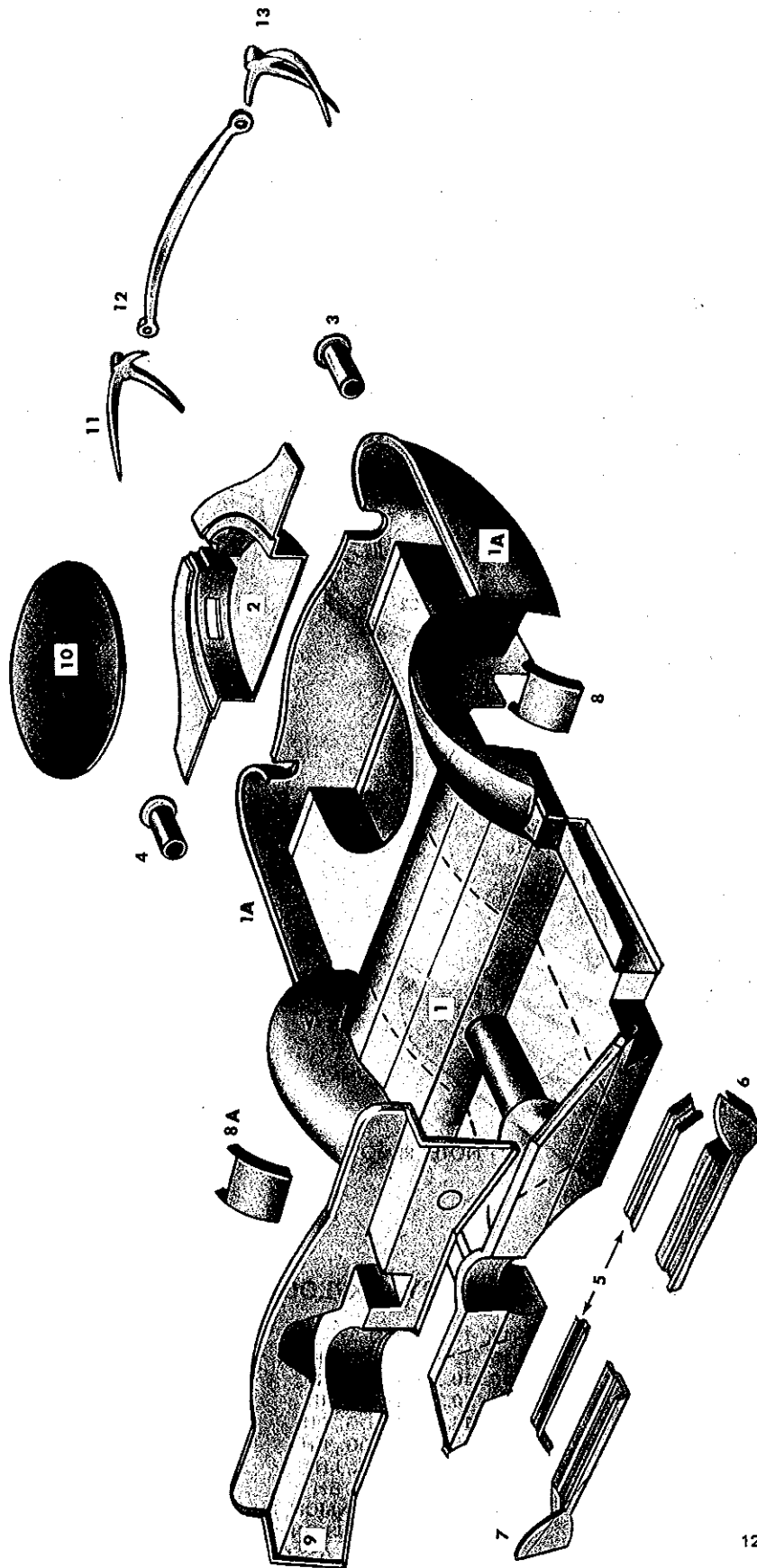
11-24

1968 CORVETTE SEAT BACK LOCK

| | | | |
|----------------------------|---------|---------------------------------|---------|
| 1. 11.390 KNOB | 7661259 | 7. 11.390 SCREW | 3945257 |
| 2. 11.390 LEVER | 3913090 | 8. 11.390 CATCH | 3926219 |
| 3. 11.390 SPRING | 3919632 | 9. 11.390 SPRING | 3913093 |
| 4. 11.390 ROD | 3913089 | 10. 11.390 FORK | 3956196 |
| 5. 11.390 SCREW | 3945255 | 11. 8.977 SCREW (#8-18 x 1/2) | |
| 6. 11.390 SPRING | 3928816 | 12. 11.390 ESCUTCHEON | 3915627 |

GROUP 12.000
METAL TRIM —
PANELS AND CLIPS

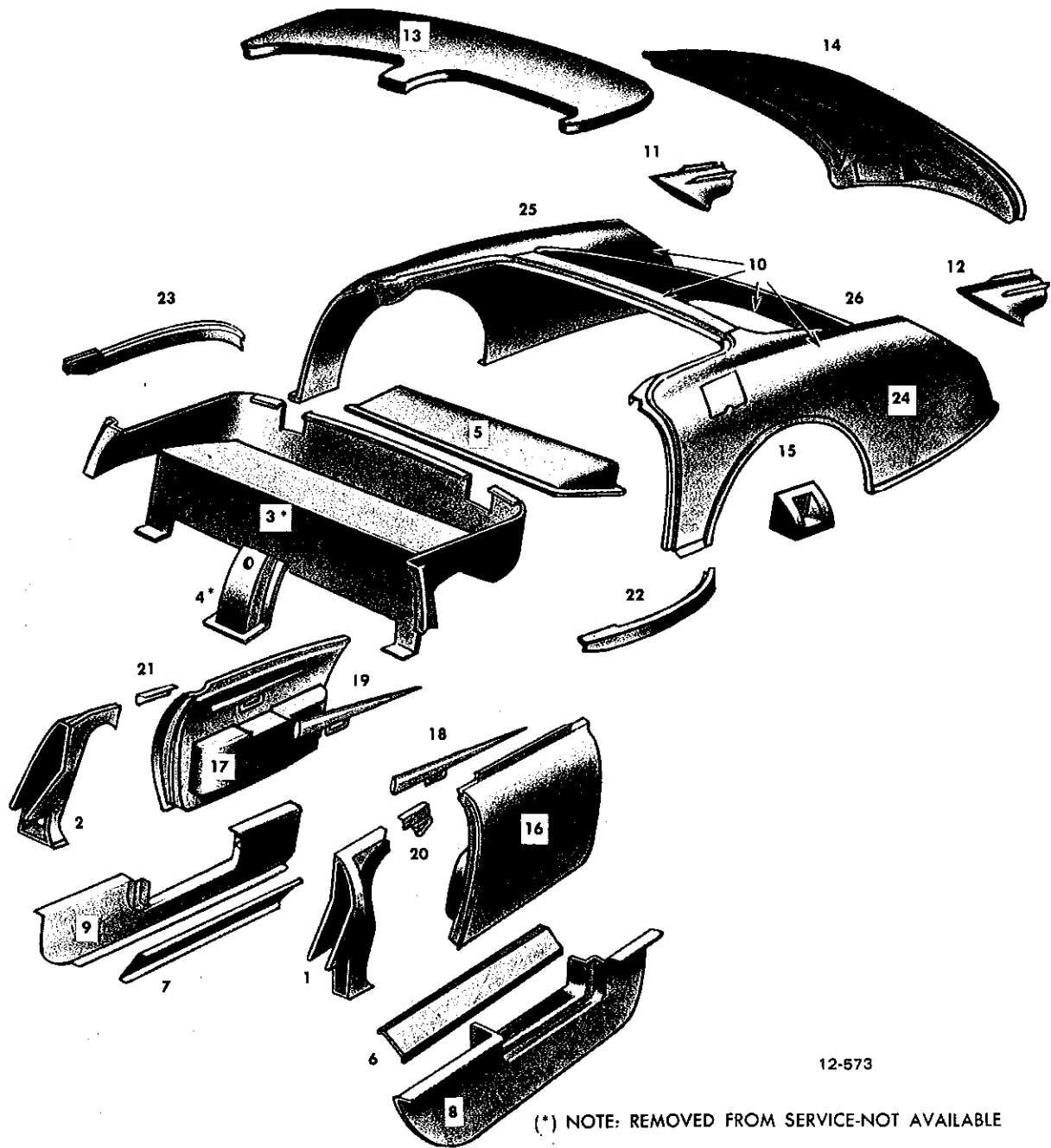




1953-55 CORVETTE UNDERBODY—EXPLODED

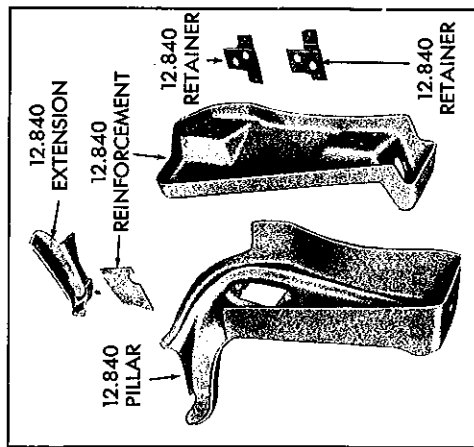
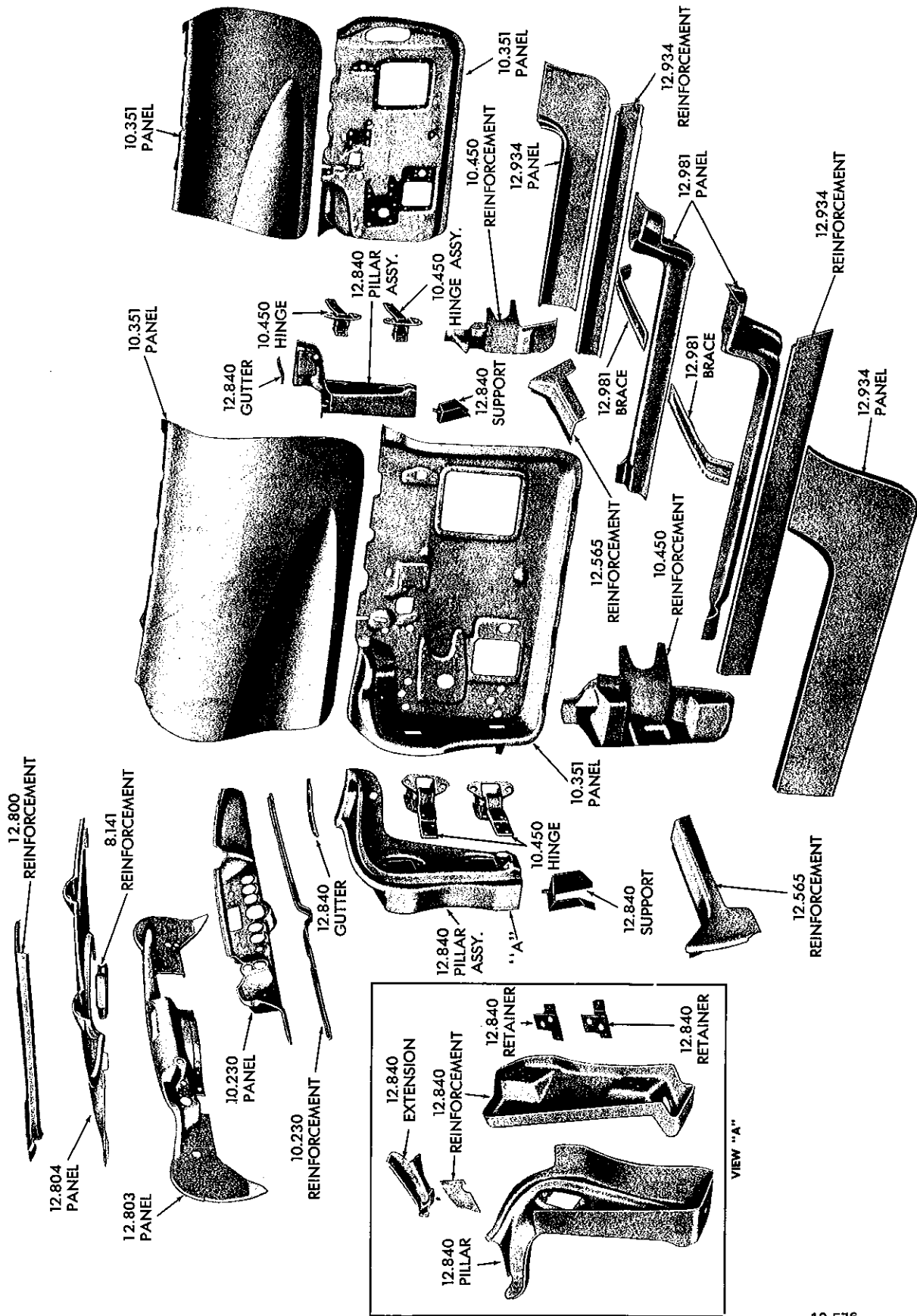
- | | | | | | |
|-----|--------|---|-----|--------|---|
| 1. | 12.981 | Underbody Panel | 7. | 12.565 | Underbody Toe Panel Reinforcement, R.H. |
| 1a. | 12.981 | Panel Underbody Rear Lower | 8. | 12.944 | Rear Fender Baffle, L.H. |
| 2. | 12.981 | Rear Compartment Floor Panel | 8a. | 12.944 | Rear Fender Baffle, R.H. |
| 3. | 3.705 | Muffler Tail Pipe Duct, L.H. | 9. | 12.803 | Dash Panel |
| 4. | 3.705 | Muffler Tail Pipe Duct, R.H. | 10. | 12.579 | Spare Wheel Cover |
| 5. | 12.981 | Underbody Cross Sill | 11. | 7.831 | Rear Fender Bumper, R.H. |
| 6. | 12.565 | Underbody Toe Panel Reinforcement, L.H. | 12. | 7.831 | Rear Bumper Face Bar |
| | | | 13. | 7.831 | Rear Fender Bumper, L.H. |

12-574



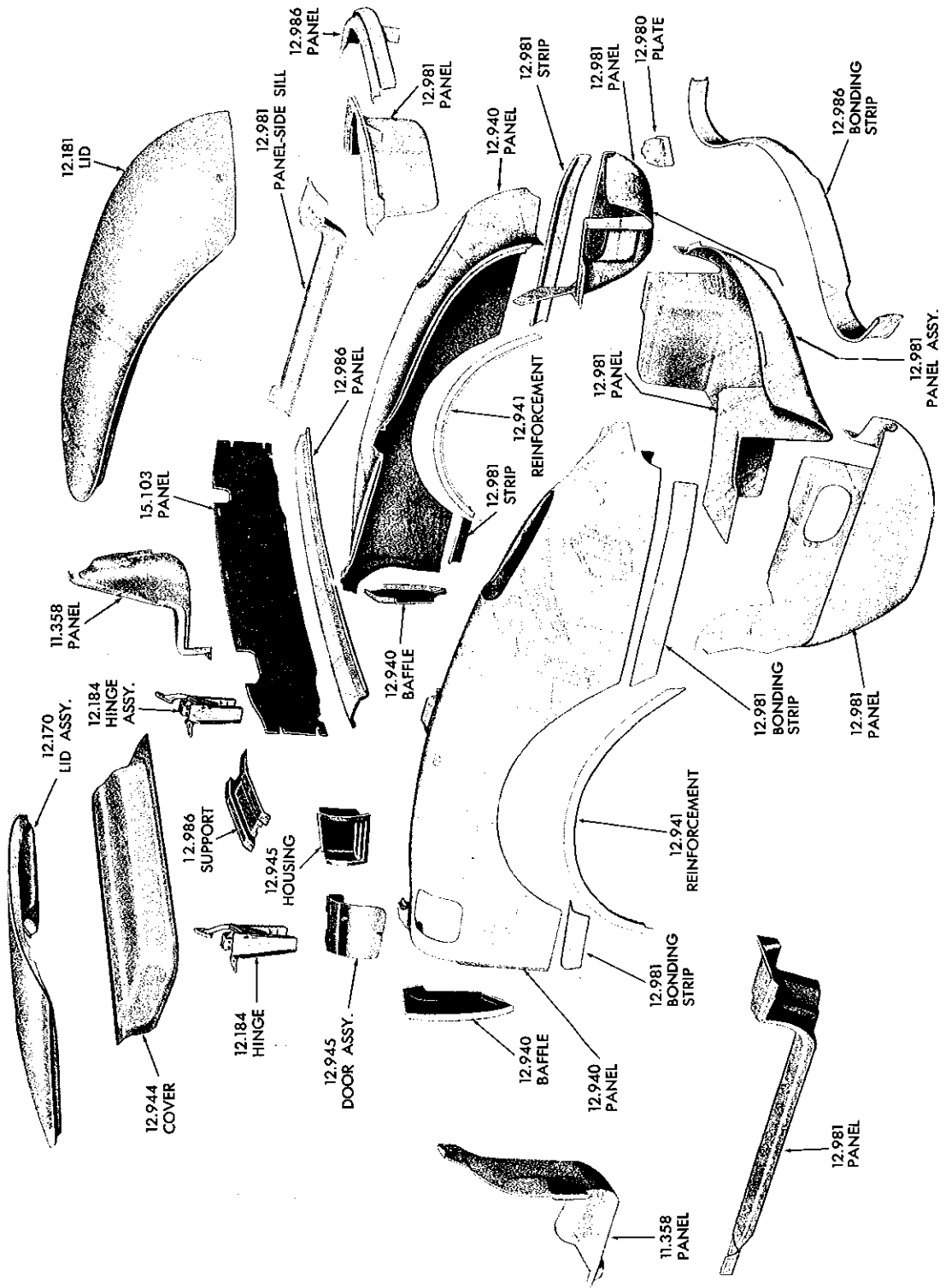
1953-55 CORVETTE REAR BODY—EXPLODED

- | | |
|------------------------|---|
| 1. 12.840 PILLAR, LH | 14. 12.181 LID |
| 2. 12.840 PILLAR, RH | 15. 12.944 HSG. & DOOR |
| 3. 11.358 PANEL | 16. 10.351 DOOR, LH |
| 4. 11.358 SEPARATOR | 17. 10.351 DOOR, RH |
| 5. 12.944 COVER | 18. 14.691 MLDG., LH |
| 6. 12.934 REINF., LH | 19. 14.691 MLDG., RH |
| 7. 12.934 REINF., RH | 20. 12.840 SEAL, LH |
| 8. 12.934 PANEL, LH | 21. 12.840 SEAL, RH |
| 9. 12.934 PANEL, RH | 22. 11.373 EXTENSION, LH |
| 10. 12.986 PANEL ASSY. | 23. 11.373 EXTENSION, RH |
| 11. 12.943 HOUSING, RH | 24. 12.940 PANEL ASSY., LH |
| 12. 12.943 HOUSING, LH | 25. 12.940 PANEL ASSY., RH |
| 13. 12.170 LID ASSY. | 26. 12.986 PANEL, RR. (BETWEEN DECK LID & LOWER PANEL) |



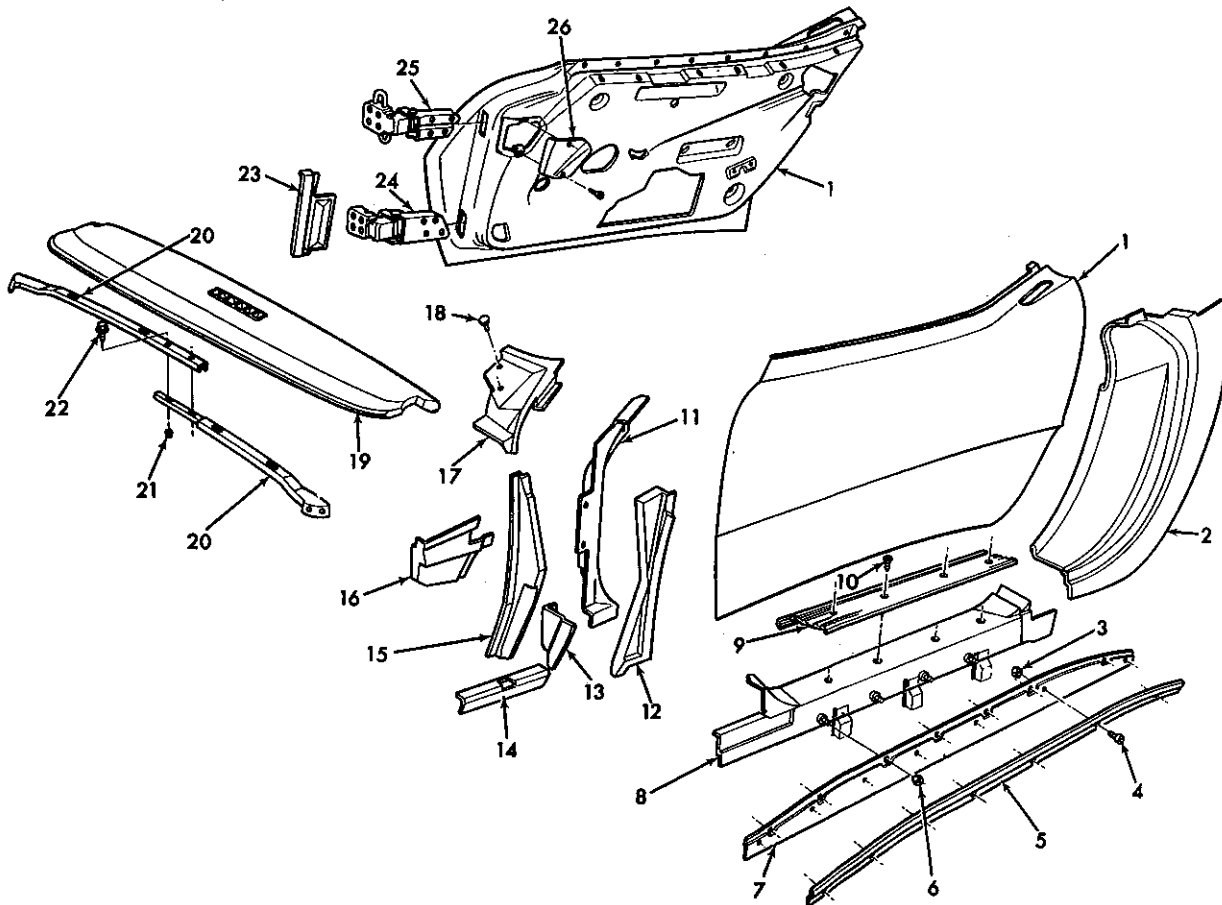
12-576

1956-57 CORVETTE CENTER BODY-EXPLODED



12-577

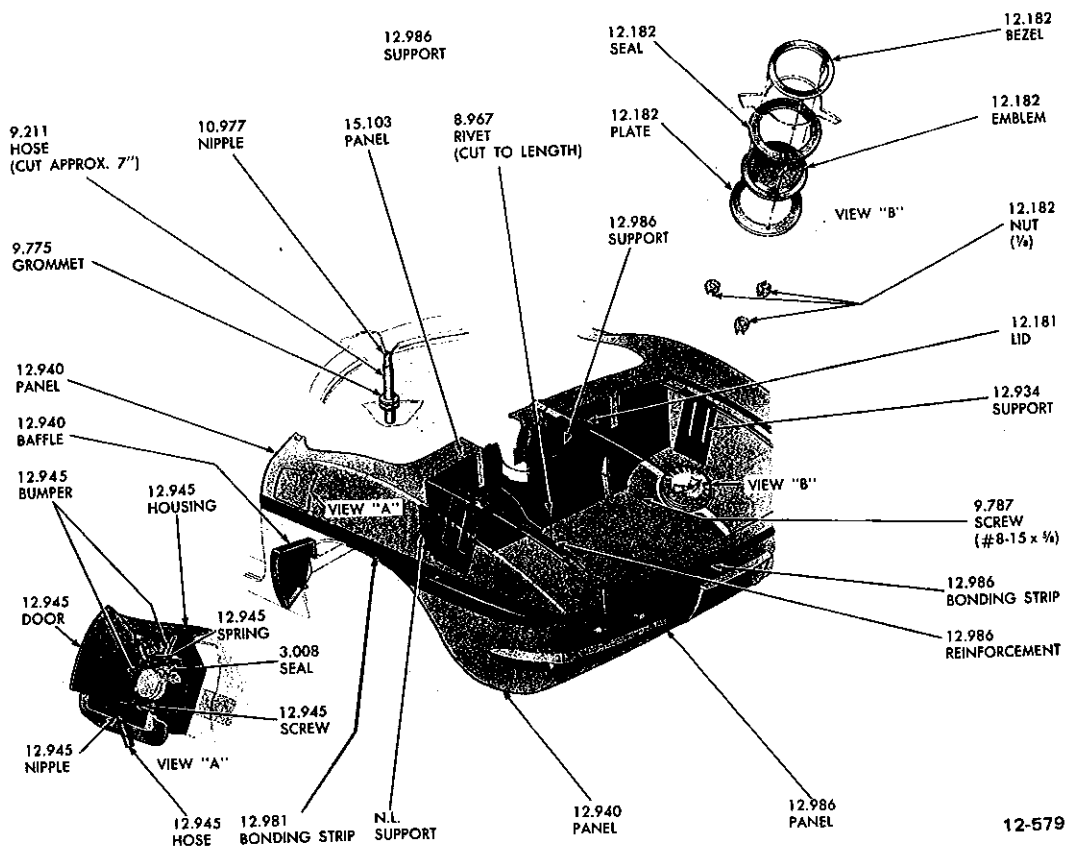
1956-57 CORVETTE REAR BODY—EXPLODED



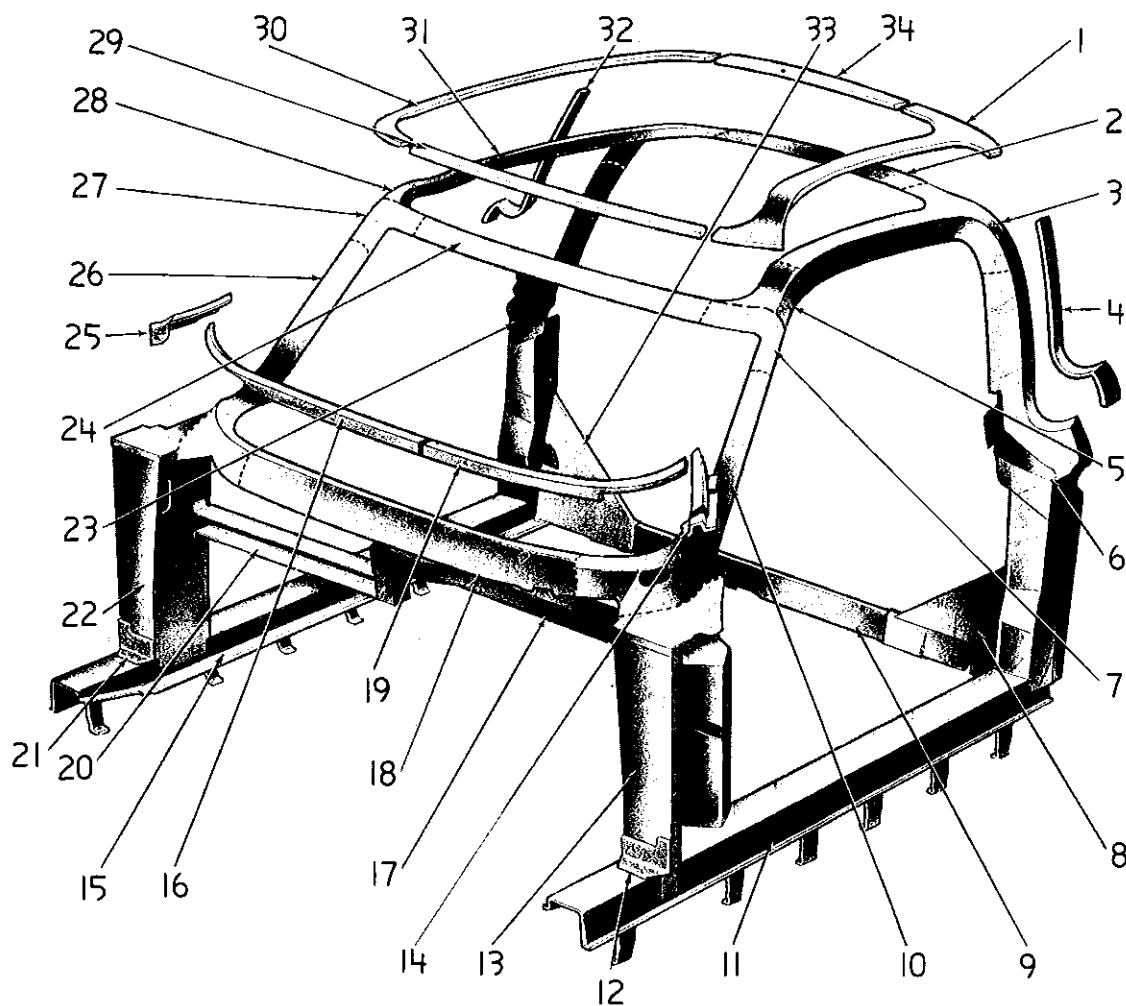
12-578

1968-75 CORVETTE CENTER BODY—EXPLODED

- | | | | | | |
|-----|--------|----------------------|-----|--------|---------------------|
| 1. | 10.351 | PANEL ASSY. | 15. | 12.804 | PANEL |
| 2. | 12.942 | PILLAR (CPE.) | 16. | 12.934 | EXTENSION |
| 3. | 8.915 | NUT | 17. | 12.840 | STRIP |
| 4. | 8.977 | SCREW (#8-18 x 1/2) | 18. | 8.967 | RIVET |
| 5. | 8.304 | MOULDING | 19. | 14.655 | PAD ASSY. |
| 6. | 8.921 | NUT (#10-24) | 20. | 12.840 | REINFORCEMENT |
| 7. | 8.304 | MOULDING | 21. | 8.915 | NUT (1/4-20) |
| 8. | 12.981 | REINFORCEMENT | | 8.932 | WASHER (1/4) |
| 9. | 11.175 | PLATE | 22. | 8.900 | BOLT (1/4-20 x 1/2) |
| 10. | 8.977 | SCREW (#10-16 x 3/4) | 23. | 12.804 | PANEL (1968-69) |
| 11. | 12.840 | PILLAR | | 12.804 | PANEL (1970-72) |
| 12. | 12.804 | PANEL | 24. | 10.450 | HINGE ASSY. |
| 13. | 12.934 | PANEL | 25. | 10.450 | HINGE ASSY. |
| 14. | 10.230 | EXTENSION | 26. | 10.450 | COVER |



1958-62 CORVETTE REAR END PANEL DETAILS

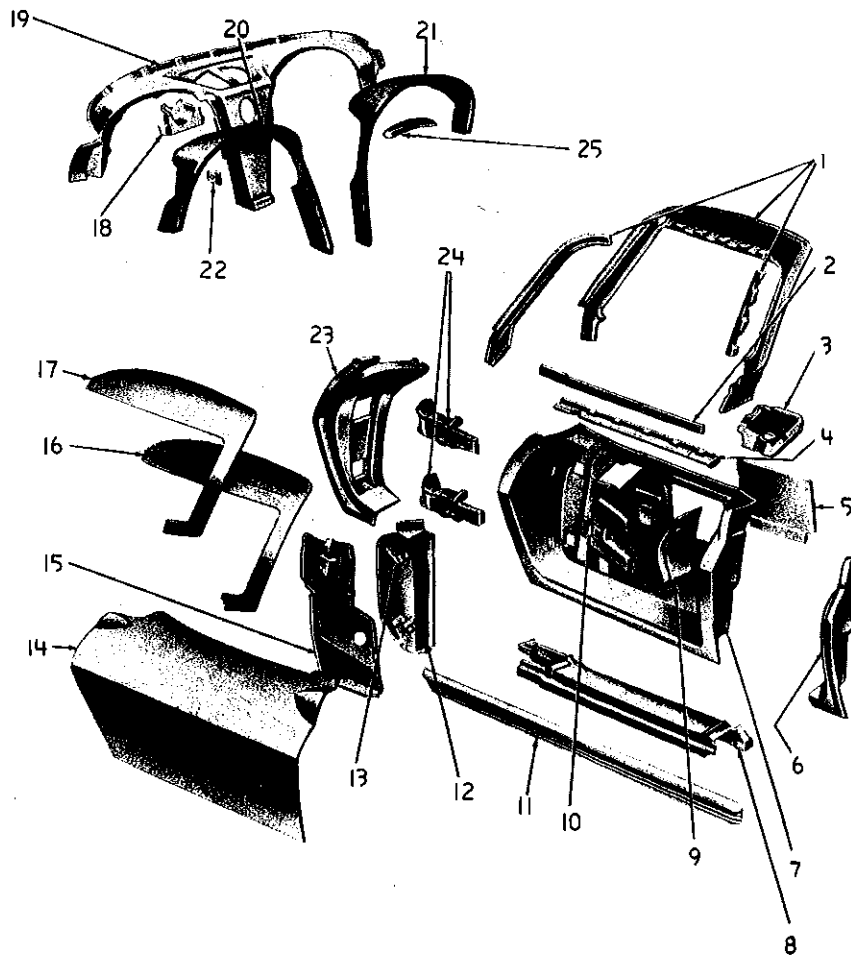


12-580

1963-67 CORVETTE FRAME

- | | |
|---------------------------|--------------------------------|
| 1. 12.810 BONDING STRIP | 18. * FRAME ASSY. |
| 2. 12.952 BOW | 19. 8.141 BONDING STRIP |
| 3. 12.840 REINFORCEMENT | 20. 12.659 BRACE |
| 4. 12.810 BONDING STRIP | 21. 12.840 EXTENSION |
| 5. 12.808 FRAME | 22. 12.840 PILLAR ASSY. |
| 6. 12.942 REINFORCEMENT | 23. 12.942 REINFORCEMENT ASSY. |
| 7. 12.808 FRAME | 24. 12.807 FRAME ASSY. |
| 8. 12.942 PILLAR ASSY. | 25. 12.840 BONDING STRIP |
| 9. 12.840 BRACE | 26. 12.808 FRAME |
| 10. 12.808 FRAME | 27. 12.808 FRAME |
| 11. * REINFORCEMENT ASSY. | 28. 12.808 FRAME |
| 12. 12.840 EXTENSION | 29. 12.810 BONDING STRIP |
| 13. 12.840 PILLAR ASSY. | 30. 12.810 BONDING STRIP |
| 14. 12.860 BONDING STRIP | 31. 12.840 REINFORCEMENT ASSY. |
| 15. * REINFORCEMENT ASSY. | 32. 12.810 BONDING STRIP |
| 16. 8.141 BONDING STRIP | 33. 12.942 PILLARY ASSY. |
| 17. 12.840 BRACE ASSY. | 34. 12.810 BONDING STRIP |

*NOTE: Removed from service.

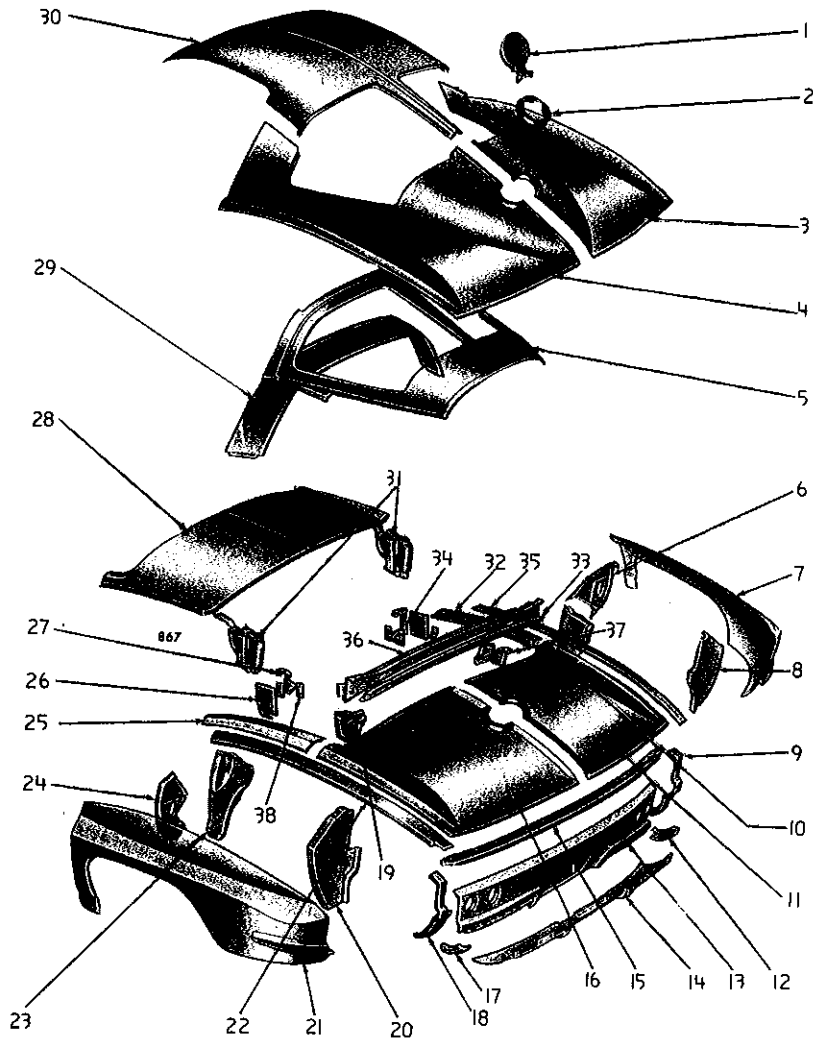


12-581

1963-67 CORVETTE CENTER BODY — EXPLODED

- | | | | |
|------------|---------------------------|------------|---------------------------|
| 1. N.S.S. | Part of 10.351 DOOR ASSY. | 14. * | PANEL |
| 2. * | REINFORCEMENT | 15. N.S.S. | Part of 10.351 DOOR ASSY. |
| 3. 10.355 | COVER | 16. * | BONDING STRIP |
| 4. * | REINFORCEMENT | 17. * | PANEL |
| 5. * | COVER | 18. * | BRACKET |
| 6. 12.942 | PILLAR ASSY. | 19. 10.230 | PANEL |
| 7. 10.351 | PANEL | 20. 14.665 | PAD ASSY. |
| 8. 12.981 | SILL | 21. 14.665 | PAD ASSY. |
| 9. 10.552 | SUPPORT | 22. * | BRACKET |
| 10. 10.500 | REINFORCEMENT | 23. 12.840 | PILLAR |
| 11. 8.304 | MOULDING | 24. 10.450 | HINGE ASSY. |
| 12. 10.450 | REINFORCEMENT | 25. 14.655 | INSERT |
| 13. * | NUT | | |

*NOTE: Removed From Service

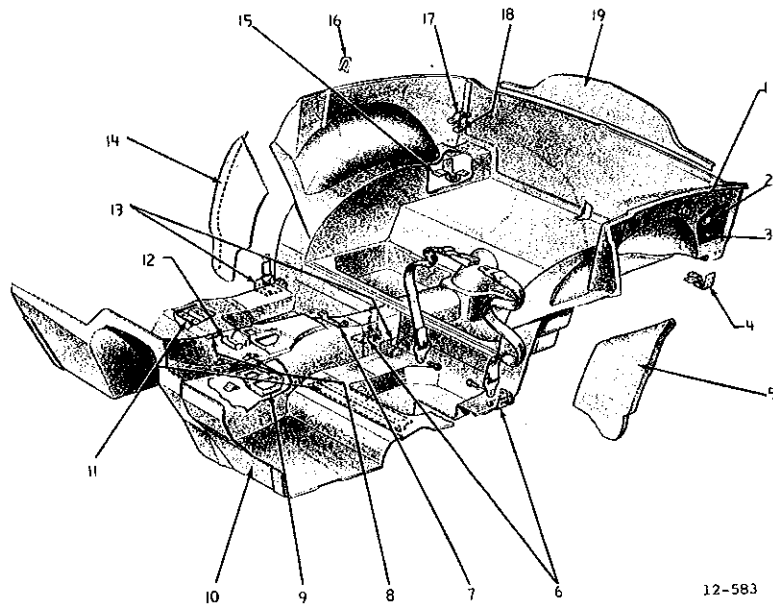


12-582

1963-67 CORVETTE REAR BODY — EXPLODED

- | | |
|--------------------------|--------------------------|
| 1. 12.945 DOOR ASSY. | 20. 12.944 SHIELD |
| 2. 12.945 BEZEL | 21. 12.940 PANEL |
| 3. 12.810 PANEL | 22. 12.981 BONDING STRIP |
| 4. * PANEL | 23. 12.170 PANEL |
| 5. * FRAME | 24. 12.942 PANEL |
| 6. 12.942 PANEL | 25. 12.966 EXTENSION |
| 7. 12.940 PANEL | 26. 12.237 NUT |
| 8. 12.944 SHIELD | 27. 12.170 PLATE |
| 9. 12.981 BONDING STRIP | 28. 12.170 LID ASSY. |
| 10. 12.170 PANEL | 29. 14.640 PANEL |
| 11. 12.966 PANEL | 30. * PANEL |
| 12. 12.986 BONDING STRIP | 31. 12.184 HINGE ASSY. |
| 13. 12.986 PANEL | 32. 12.966 EXTENSION |
| 14. 12.981 PANEL | 33. 12.986 REINFORCEMENT |
| 15. 12.986 BONDING STRIP | 34. 12.237 SPACER |
| 16. 12.966 PANEL | 35. 12.981 BONDING STRIP |
| 17. 12.986 BONDING STRIP | 36. 12.986 SUPPORT |
| 18. 12.981 BONDING STRIP | 37. 12.986 EXTENSION |
| 19. * EXTENSION | |

*NOTE: Removed From Service

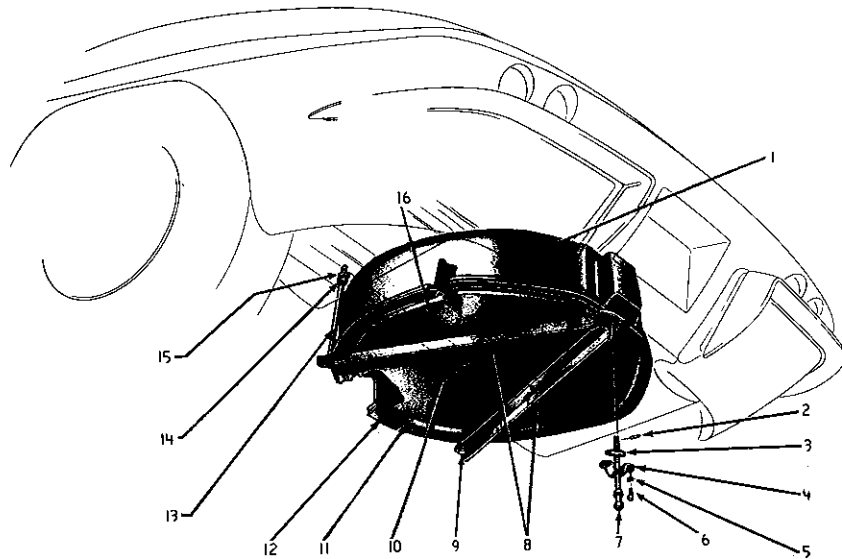


12-583

1963-67 CORVETTE UNDERBODY

- | | |
|--------------------|---------------------------|
| 1. 12.980 SHIELD | 11. * REINFORCEMENT ASSY. |
| 2. * RETAINER | 12. 10.230 BONDING STRIP |
| 3. * NUT | 13. * PLATE |
| 4. * REINFORCEMENT | 14. 12.942 PANEL |
| 5. 12.944 PANEL | 15. * REINFORCEMENT |
| 6. 14.875 PLATE | 16. * SHIELD |
| 7. * BRACKET | 17. * RETAINER |
| 8. 10.252 BRACKET | 18. * NUT |
| 9. 4.015 PLATE | 19. 12.981 PANEL |
| 10. 12.981 PANEL | |

*NOTE: Removed From Service



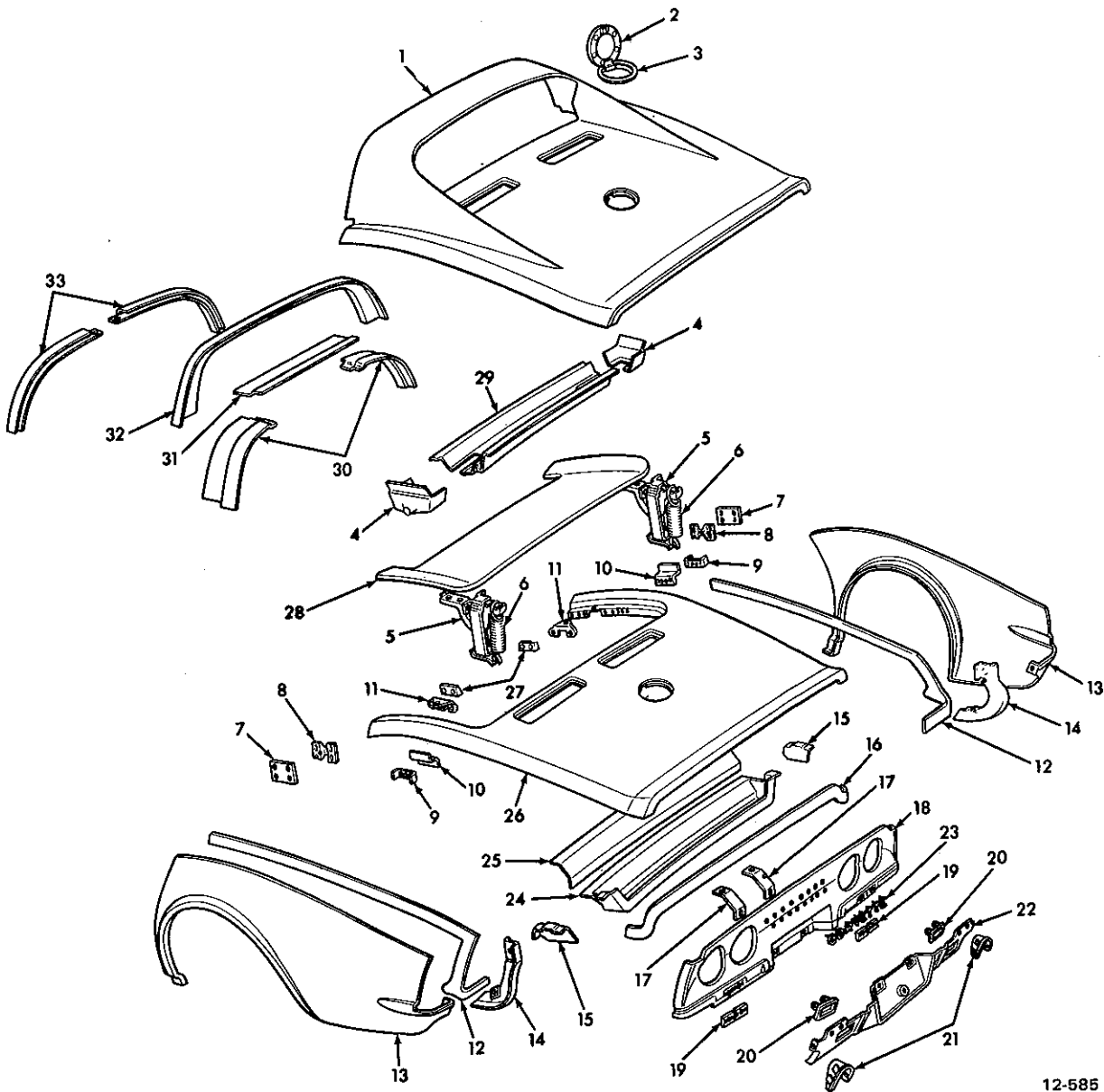
12-584

1963-67 CORVETTE SPARE TIRE CARRIER

- | | |
|------------------------------|--------------------------|
| 1. 7.629 COVER | 9. * SCREW |
| 2. * PIN | 10. 8.929 WASHER (11/16) |
| 3. * NUT | 11. * SEAL |
| 4. * BRACKET | 12. * SEAL |
| 5. 8.931 L/WASHER (3/8) | 13. 7.632 BOLT |
| 6. 8.900 BOLT (3/8-16 x 7/8) | 14. 8.915 NUT (7/16-14) |
| 7. 7.632 BOLT | 15. 8.931 WASHER 7/16 |
| 8. 7.778 STRAP ASSY. | 16. 12.579 TRAY |

*NOTE: Removed from service.

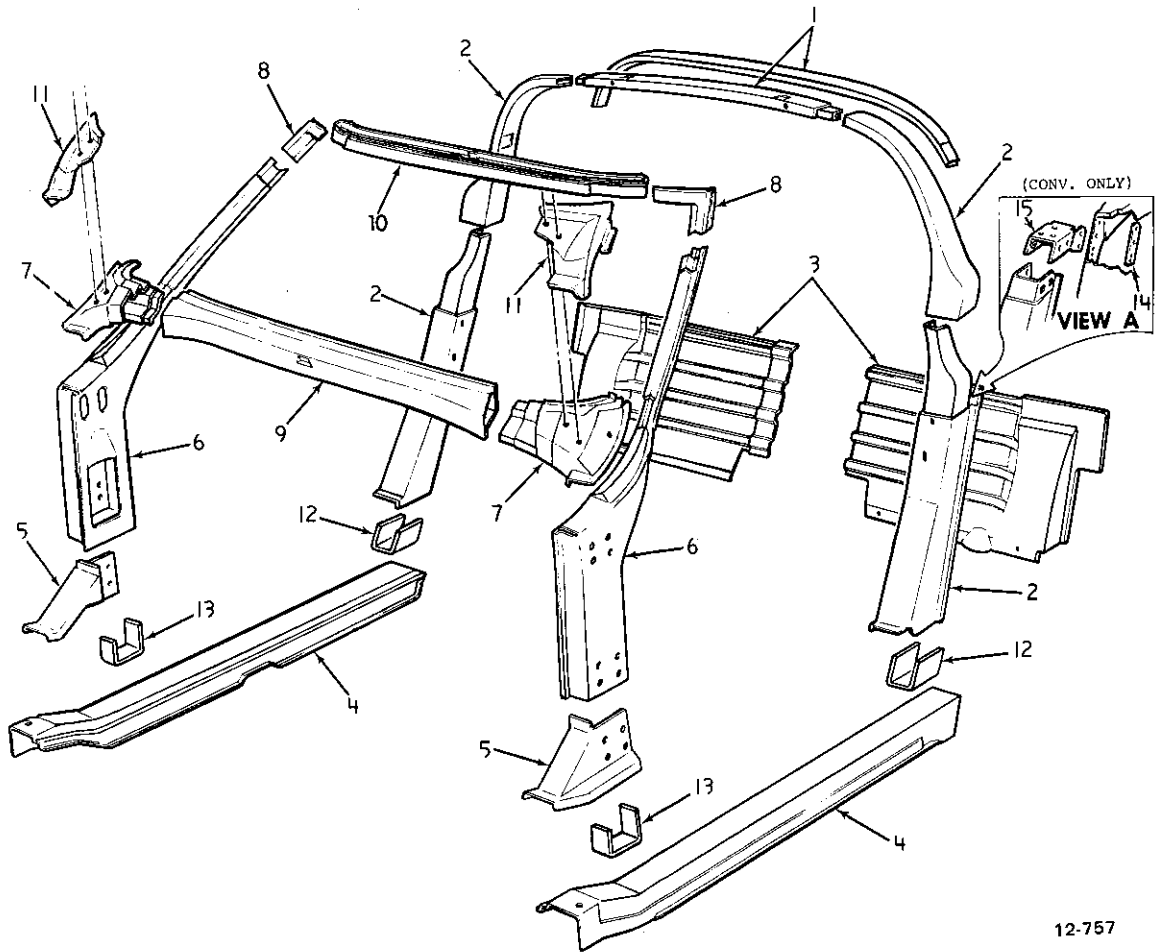
12-584



12-585

1968-73 CORVETTE REAR BODY

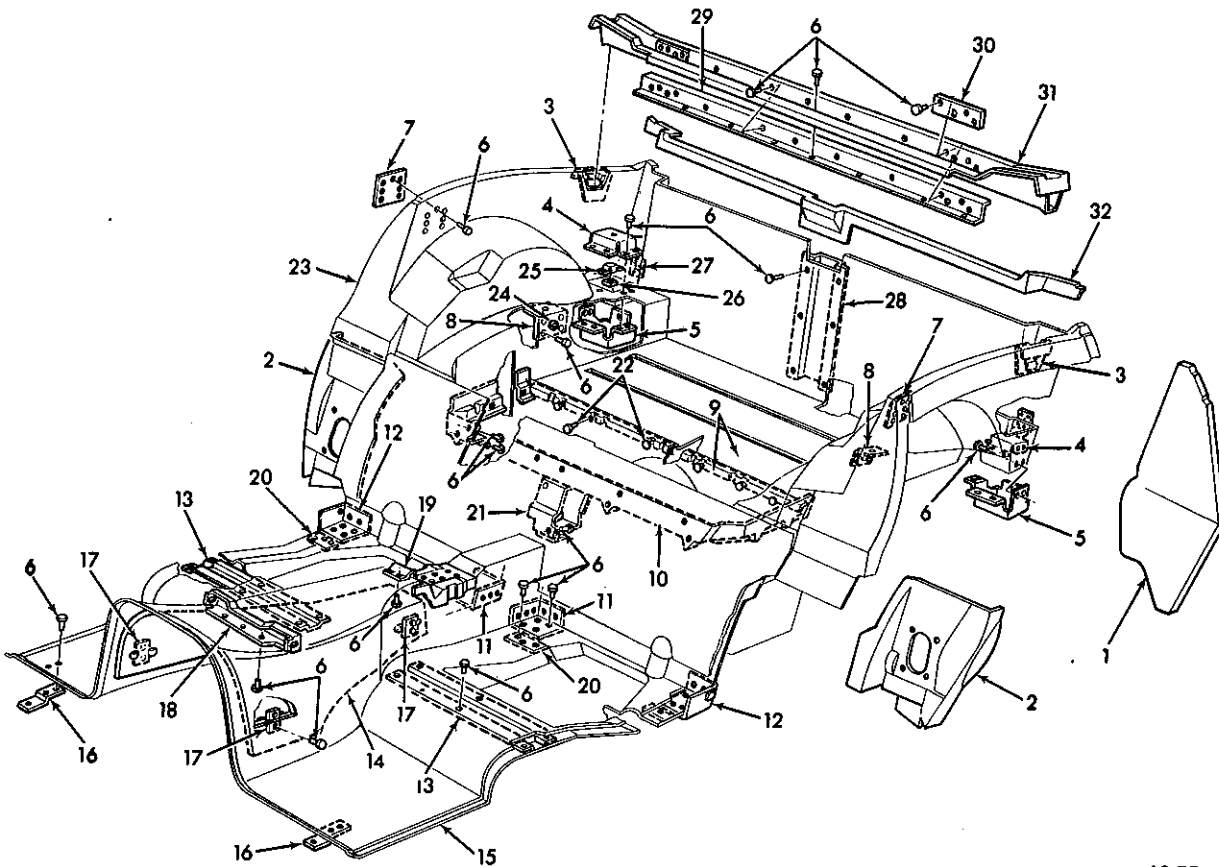
| | | | | | |
|------------|-----------------------|-----------------------|------------|--------------------|--------------------|
| 1. 12.810 | PANEL ASSY. | 3977867 | 17. 12.981 | BRACE ASSY. | 3922304 |
| 2. 12.965 | DOOR ASSY. (1968) | 3926497 | 18. 12.986 | PANEL | 3977864 |
| | 12.965 | DOOR ASSY. (1969-70) | | 19. N.L. | NUT |
| | 12.965 | DOOR ASSY. (1971-72) | 20. 2.697 | LANGE (1968) | 3919651-52 |
| 3. 12.945 | BEZEL ASSY. (1968-70) | 3954576 | 21. 3.705 | BEZEL (1968-69) | 3922495-96 |
| | 12.965 | BEZEL ASSY. (1971-72) | | 3.705 | BEZEL (1970-72) |
| | | | | | 3966543-44 |
| 4. 12.941 | PLENUM | 3956053-54 | 22. 12.981 | PANEL (1968-69) | 3947974 |
| 5. 12.184 | HINGE ASSY. | 3930348 | | 12.981 | PANEL (1970-72) |
| | 12.]84 | HINGE ASSY. | | | 3966545 |
| | 12.184 | HINGE ASSY. | 23. 12.182 | LETTER UNIT | 3927979 |
| 6. 14.320 | SPRING | 3824631 | 24. 12.941 | PLENUM (1968-70) | 3958889 |
| 7. 12.237 | SPACER | 3778601 | 25. 12.941 | BAFFLE (1968-70) | 3947981 |
| 8. 12.237 | STRIKER. | 3778599 | | 12.941 | BAFFLE (1970-72) |
| 9. 12.170 | PLATE | 3832531 | | | 3994808 |
| 10. 12.986 | REINFORCEMENT. | 3912873-74 | 26. 12.966 | PANEL | 3977863 |
| 11. 12.170 | PLATE | 3928830 | 27. 10.584 | PLATE (1968-70) | 4423880 |
| 12. 12.981 | STRIP. | 3912901 | 28. 12.170 | LID ASSY. (1968) | 3936364 |
| 13. 12.940 | PANEL (1968-69) | 3936379-80 | | 12.170 | LID ASSY (1969-72) |
| | 12.940 | PANEL (1970-72) | | | 3966610 |
| | | | 29. 12.941 | PLENUM | 3964141 |
| 14. 3.705 | FLANGE (1968-69). | 3919649-50 | 30. 14.640 | PANEL ASSY. | 3935661-62 |
| | 3.705 | FLANGE (1970-72). | | 31. 12.810 | PANEL ASSY. |
| | | | | | 3935563-64 |
| | | | | 32. 12.810 | REINFORCEMENT. |
| | | | | | 3935565-66 |
| 15. 12.941 | PLENUM (1968-70). | 3940587-88 | 33. 12.075 | MOULDING (1968-69) | 3934933-34 |
| | | | | 12.075 | MOULDING (1970-72) |
| | | | | | 3972307-08 |
| 16. 12.986 | STRIP. | 3912899 | | | |



12-757

1968-75 CORVETTE BODY-FRAME

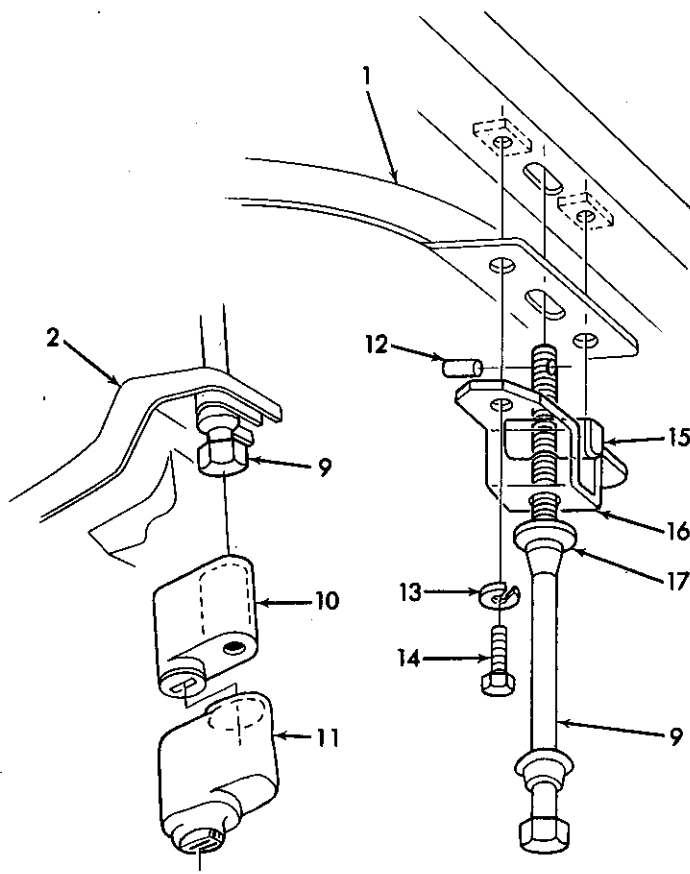
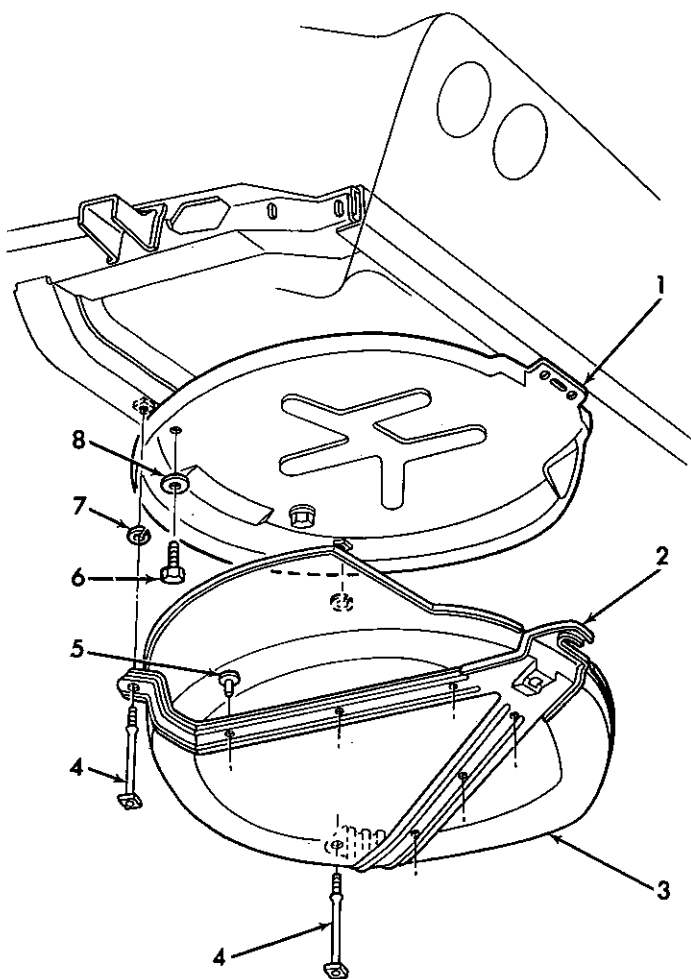
| | | | |
|--|------------|--|------------|
| 1. 12.952 BOW ASSY. | 3964553 | 8. 12.808 FRAME ASSY. | 3936227-28 |
| 2. 12.942 PILLAR ASSY. (CONV.) | 3974359-60 | 9. 12.807 FRAME ASSY. | 3930888 |
| 12.942 PILLAR ASSY. (CPE.) | 3974357-58 | 10. 12.807 FRAME ASSY. (CONV.) | 3936231 |
| 3. 12.942 SUPPORT (1968-71) | 3933083-84 | 12.807 FRAME ASSY. (CPE.) | 3936232 |
| 12.942 SUPPORT (1972) | 6263591-92 | 11. 12.840 STRIP (1968-71). | 3938081-82 |
| 4. 12.981 REINFORCEMENT ASSY. (1968-71) 3977759-60 | | 12.840 STRIP (1972) | 3996839-40 |
| 12.981 REINFORCEMENT ASSY. (1972) | 3996887-88 | 12. 12.840 SUPPORT. | 3935501-2 |
| 5. 12.840 SUPPORT | 3914541-42 | 13. 12.804 REINFORCEMENT. | 3954595-6 |
| 6. 12.840 PILLAR ASSY. | 3936229-30 | 14. 12.942 PLATE | 3966692 |
| 7. 12.808 FRAME ASSY. | 3930889-90 | 15. 10.569 BRACKET ASSY. | 3966687-8 |



12-587

1968-73 CORVETTE UNDERBODY

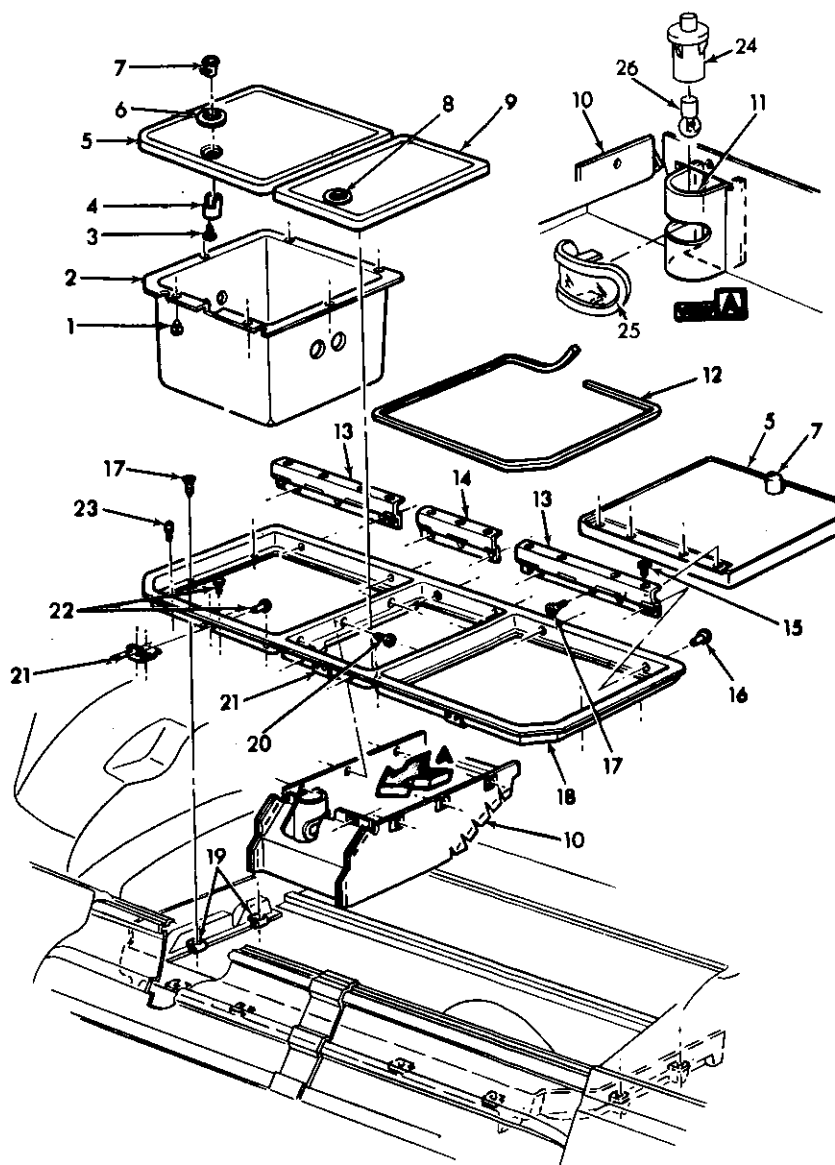
| | | | |
|--------------------------------|------------|--------------------------------|---------|
| 1. 12.944 SHIELD | 3928821-2 | 18. 10.240 SUPPORT | 3942739 |
| 2. 12.942 PANEL | 3912891-2 | 19. 12.981 REINFORCEMENT | 3918663 |
| 3. 12.986 SUPPORT | 3915777-8 | 20. 12.981 PLATE | 3828546 |
| 4. 12.184 REINFORCEMENT | 3921523-4 | 21. 12.981 PANEL | 3918571 |
| 5. N.L. REINFORCEMENT | | 22. 8.967 RIVET | |
| 6. 8.977 RIVET | | 23. 12.981 PANEL | 3966700 |
| 7. 12.237 NUT | 3918539 | 24. 8.973 PLUG (3/8) | |
| 8. 14.875 REINFORCEMENT | 3894563-4 | 25. N.L. RETAINER | |
| 9. 12.981 PLATE | 3919678 | 26. N.L. NUT | |
| 10. 12.981 SUPPORT | 3918565 | 27. 12.980 PLATE | 3954527 |
| 11. 14.875 PLATE ASSY. | 3863621-2 | 28. 12.981 REINFORCEMENT | 3850114 |
| 12. 14.875 PLATE ASSY. | 3926439-40 | 29. 12.986 REINFORCEMENT | 3824444 |
| 13. 12.981 REINFORCEMENT | 3908123-4 | 30. 12.184 NUT | 3968893 |
| 14. 12.980 INSULATOR | 3912670 | 31. 12.986 SUPPORT | 3958888 |
| 15. 12.981 PANEL | 3904994 | 32. 12.981 PLATE (SPT. CPE.) | 3914552 |
| 16. 1.287 BRACKET | 3963142 | 12.981 PLATE (CONV.) | 3914553 |
| 17. 12.980 RETAINER | 3834985 | | |



12-588

1968-75 CORVETTE SPARE TIRE CARRIER AND LOCK

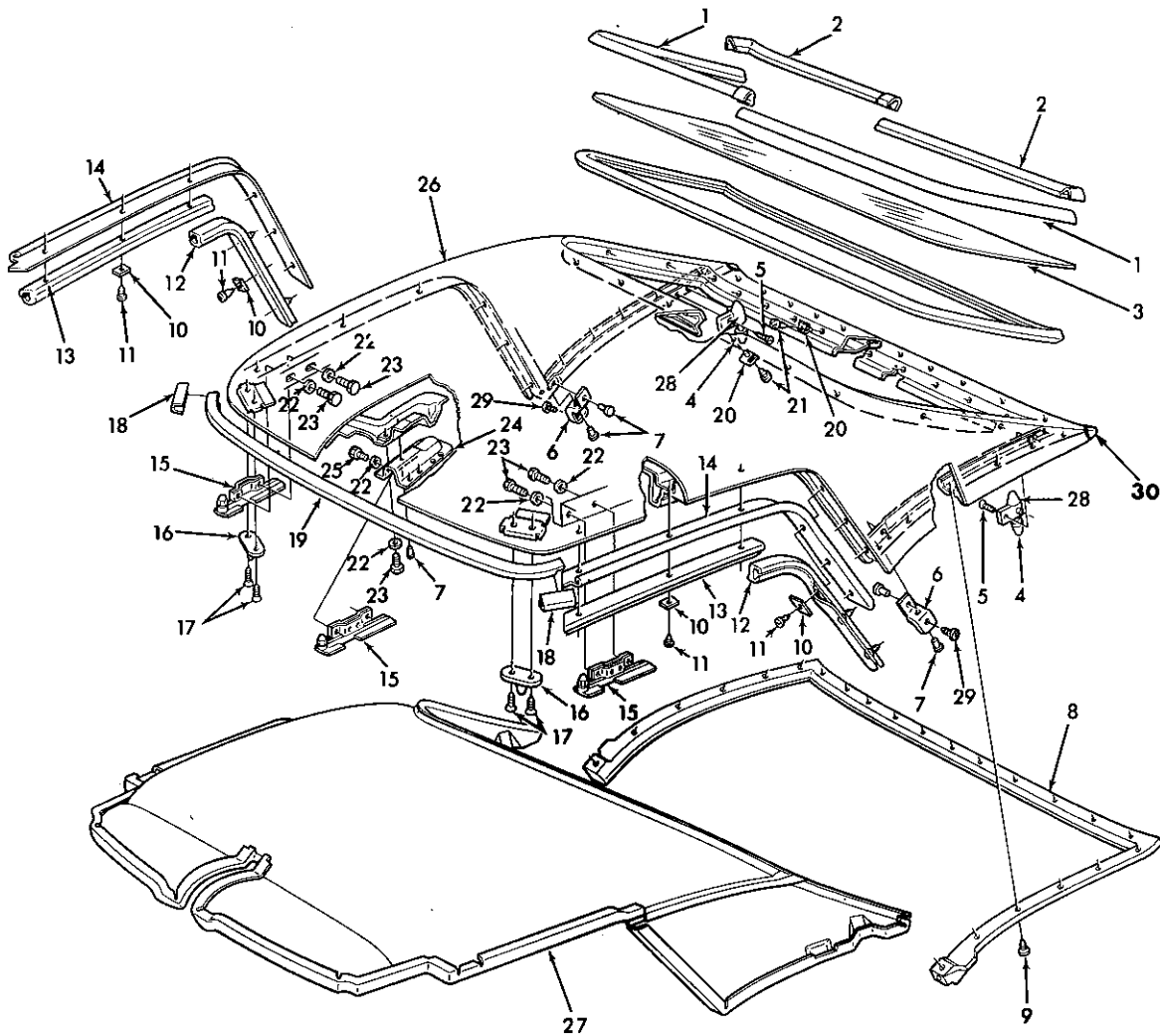
- | | |
|---------------------------------|-----------------------------------|
| 1. 7.629 COVER | 10. 7.675 CASE and CYLINDER ASSY. |
| 2. 7.778 STRAP ASSY. | 11. 7.679 COVER |
| 3. 12.579 TRAY | 12. N.S. PIN |
| 4. 7.632 BOLT | 13. 8.931 WASHER (3/8) |
| 5. 8.997 RIVET | 14. 8.900 BOLT (3/8-16 x 7/8) |
| 6. 8.977 SCREW (5/16-18 x 9/16) | 15. N.L. NUT |
| 7. 8.931 L/WASHER (7/16) | 16. N.L. BRACKET |
| 8. 8.929 WASHER | 17. 8.929 WASHER |
| 9. 7.632 BOLT | |



12-590

1968-75 CORVETTE STORAGE COMPARTMENT

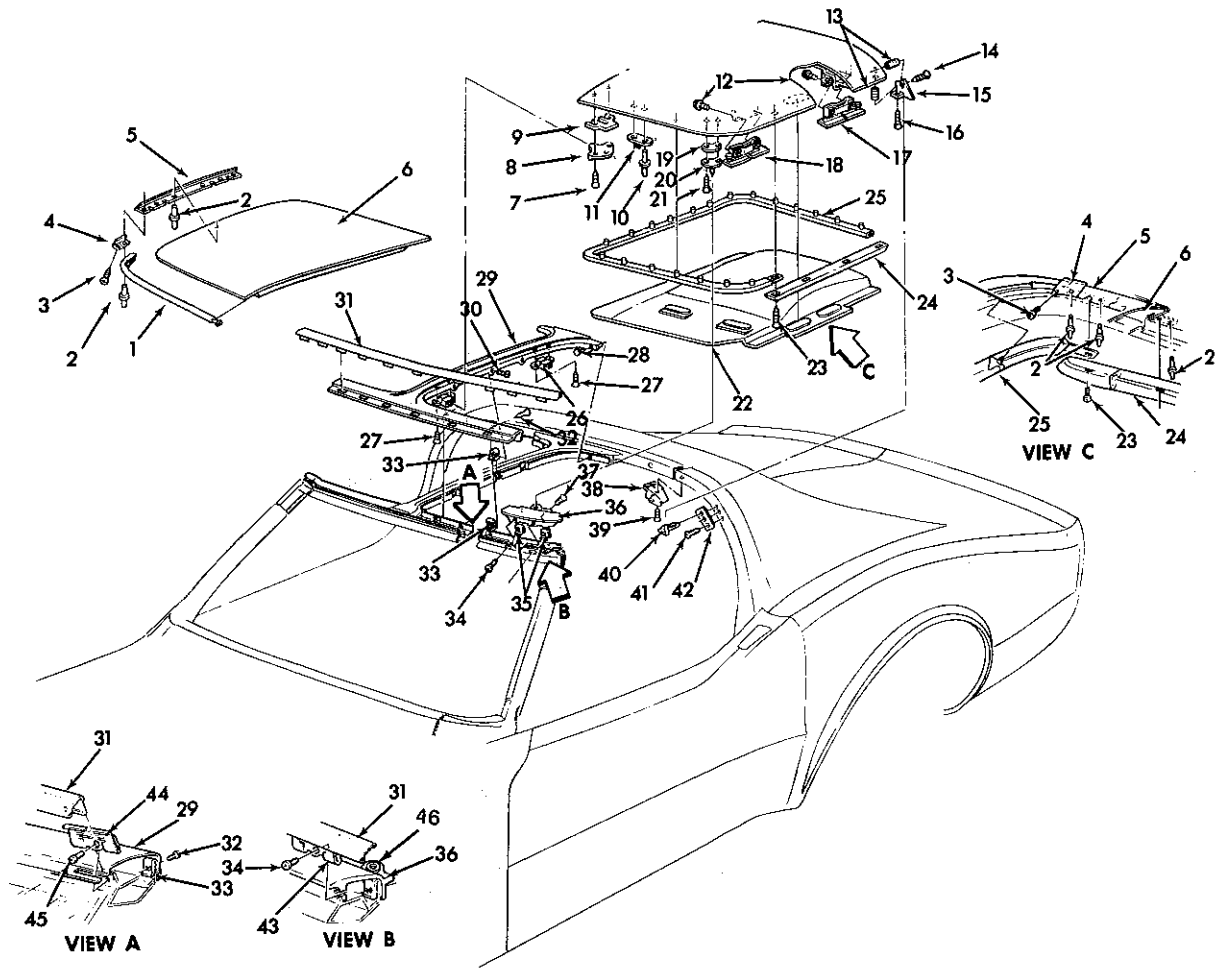
- | | |
|-------------------------------|--------------------------------|
| 1. 12.981 BUMPER | 12. 12.981 SEAL |
| 2. 12.981 COVER | 13. 12.981 HINGE ASSY. |
| 3. 8.913 SCREW (#6-32 x 5/16) | 14. 12.981 HINGE ASSY.—Center |
| 4. 10.267 RETAINER | 15. 8.913 SCREW (#10-24 x 3/8) |
| 5. 12.981 DOOR | 16. 8.967 RIVET |
| 12.981 RING | 17. 8.977 SCREW (#6-18 x 5/8) |
| 15.286 CARPET | 18. 12.981 COMPARTMENT |
| 6. 12.981 ESCUTCHEON . | 19. 8.921 NUT (#8-18) |
| 7. 10.266 CYLINDER | 20. 8.967 RIVET |
| 8. 10.266 CASE ASSY. | 21. 16.068 STRIKER |
| 9. 12.981 DOOR | 22. 8.967 RIVET |
| 12.981 RING | 23. 12.981 BUMPER |
| 15.286 CARPET | 24. 10.275 SWITCH |
| 10. 12.981 COMPARTMENT ASSY. | 25. 8.991 BULB |
| 11. 12.981 SHIELD | 26. 10.275 LENS |



12-591

1968-75 CORVETTE AUXILIARY TOP

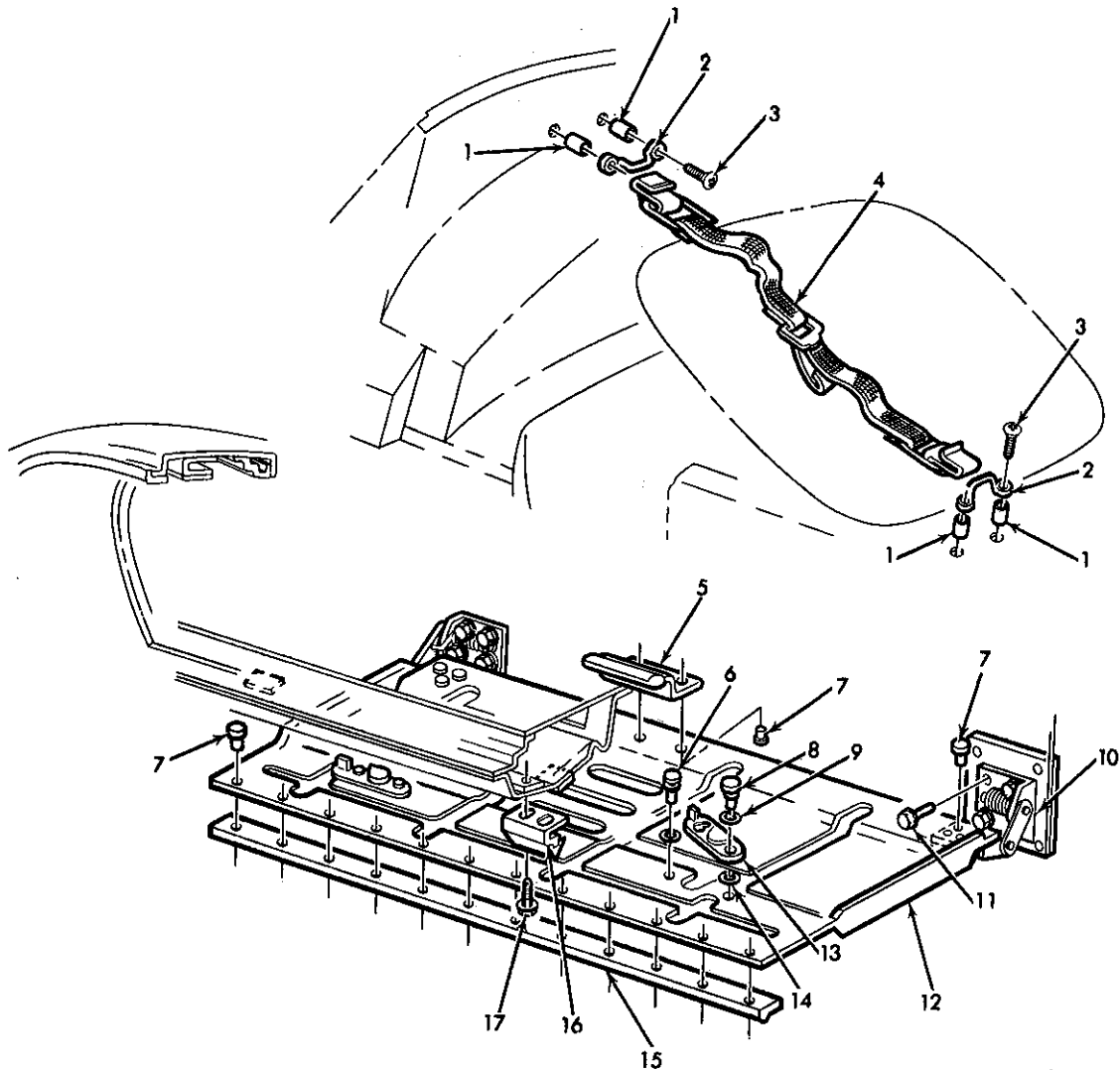
- | | |
|--|--------------------------------|
| 1. 11.208 MOLDING | 15. 14.080 LOCK ASSY.--R.H. |
| 2. 11.208 MOLDING | 16. 14.090 GUIDE HEADER |
| 3. 11.204 GLASS | 17. 8.977 SCREW |
| 4. 14.080 BOLT | 18. 12.075 CAP-MOLDING. |
| 5. 8.906 BOLT | 19. 12.076 MOLDING ASSY.. |
| 8.931 L/WASHER (No. 10) | 20. 10.096 CLIP |
| 6. 13.346 BRACKET | 21. 8.977 SCREW |
| 7. 8.967 RIVET | 22. 8.929 P. WASHER (1/4) |
| 8. 13.346 WEATHERSTRIP ASSY. | 23. 8.900 BOLT (1/4-20 x 5/8) |
| 9. 8.977 SCREW (No. 8-32 x 1/2) | 24. 14.080 HOUSING |
| 10. 12.840 WASHER | 25. 8.900 BOLT (1/4-20 x 9/16) |
| 11. 8.977 SCREW (No. 8-18 x 7/8) | 26. 13.346 TOP ASSY. |
| 12. 14.190 WEATHERSTRIP ASSY. | 27. 14.640 HEADLINER ASSY. |
| 13. N.S.S. PART OF ASSY. (3952957, 3964135 and 3964136) | 28. 14.080 HOUSING |
| 14. 12.075 MOLDING | 29. 12.121 SCREW |
| | 30. 12.810 CAP |



12-592

1968-75 CORVETTE ROOF PANEL

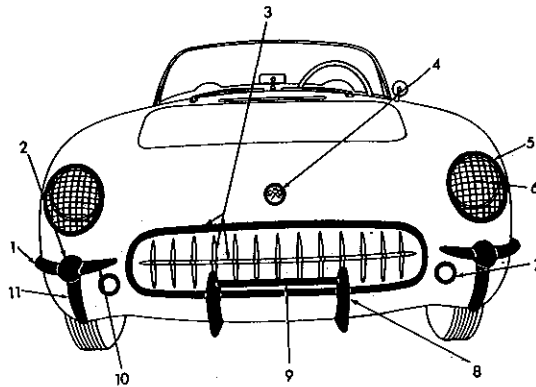
- | | |
|-----------------------------------|--------------------------------------|
| 1. 12.075 MOULDING ASSY. | 24. 14.120 WEATHERSTRIP ASSY. |
| 2. 8.967 RIVET | 25. 12.810 WEATHERSTRIP ASSY. |
| 3. 12.118 SCREW | 26. 12.810 HOUSING ASSY. |
| 4. 12.075 CAP | 27. 8.909 SCREW ASSY. (1/4-20 x 1) |
| 5. 12.075 MOULDING (68-72) | 28. 8.967 RIVET |
| 6. 13.346 PANEL ASSY. | 29. 12.810 MOULDING |
| 7. 8.900 BOLT (1/4-20 x 5/8) | 30. 8.977 BOLT (#-18 x 1/2) |
| 8. 12.810 LOCK | 31. 10.093 MOULDING |
| 9. 12.810 SHIM | 32. 8.977 SCREW (#8-18 x 1/2) |
| 10. 8.967 RIVET (1/8 x 1/4) | 33. 8.921 NUT "J" (#8-18) |
| 11. 10.056 FASTENER | 34. 8.977 SCREW (8-18 x 3/8) |
| 12. 8.900 BOLT (1/4-20 x 5/8) | 35. 8.921 NUT "U" (10-16) |
| 13. 8.914 INSERT (10-24 x 9/32) | 36. 10.093 MOULDING ASSY. |
| 14. 8.909 SCREW (10-24 x 3/4) | 37. 8.977 SCREW (10-16-3/4) |
| 15. 14.090 PLATE | 38. 12.810 STRIKER |
| 16. 8.908 SCREW (10-24 x 1/2) | 39. 8.909 SCREW ASSY. (1/4-20 x 7/8) |
| 17. 12.810 LOCK ASSY. | 40. 12.810 PIN |
| 18. 14.080 LOCK ASSY. | 41. 8.908 SCREW (10-24 x 1/2) |
| 19. 12.807 SPACER | 42. 12.810 NUT |
| 20. 14.090 HEADER | 43. 10.096 CLIP |
| 21. 8.977 SCREW ASSY. | 44. 10.096 CLIP |
| 22. 14.640 TRIM ASSY. (See Group) | 45. 8.977 SCREW (8-18 x 3/8) |
| 23. 8.908 SCREW (10-24 x 1/2) | 46. 10.093 BUSHING (NYLON) |



12-593

1968-70 CORVETTE BACKLITE AND ROOF PANEL STOWAGE

- | | |
|-------------------------------------|------------------------------------|
| 1. 4.591 SPACER | 10. 12.981 HINGE ASM L.H. |
| 2. N.S. HANGER | 12.981 HINGE ASM. R.H. |
| 3. 8.909 SCREW (#10-32 x 7/8) | 11. 8.900 SCREW (5/16-18 x 1-1/2) |
| 4. 12.981 STRAP ASM | 12. 12.980 TRAY |
| 5. 12.981 CLIP | 13. 12.981 CLIP |
| 6. 12.981 RIVET | 14. 3.425 WASHER (9/32) |
| 7. 8.967 RIVET | 15. 12.981 REINF. ASM |
| 8. 12.981 RIVET | 16. 12.081 CLIP (68 only) |
| 9. 8.929 WASHER (7/32 x 5/8 x 5/64) | 12.981 CLIP (69-71 only) |
| | 17. 8.900 SCREW ASM (#10-24 x 3/4) |

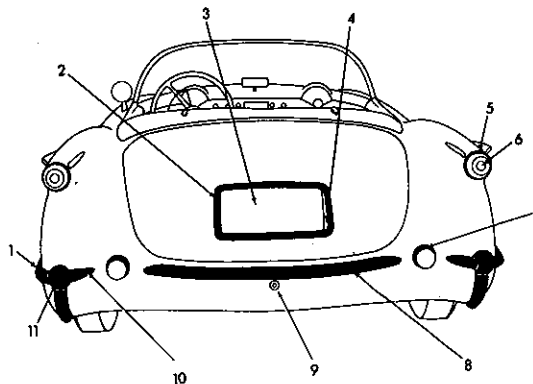


12-37

1953-55 CORVETTE—FRONT

- | | | | | | | |
|----|-------|---|------------------------------|-------|-----------------|----------------------------------|
| 1. | * | BAR | | 8.931 | 36-WASHER (1/4) | |
| | | 8.929 | 1-WASHER (9/32 x 5/8 x 5/64) | | 8.929 | 40-WASHER (9/32 x 5/8 x 5/64) |
| | | 8.931 | 1-WASHER (1/4) | | 4. | * EMBLEM ASSY. |
| | | 8.916 | 1-NUT (1/4-20) | | 5. | 2.728 MOULDING 5942614 |
| 2. | * | BAR | | | 2.729 | 1-CLIP 5942195 |
| | | 8.929 | 2-WASHER (9/32 x 5/8 x 5/64) | | * | 1-SPACER ASSY. |
| | | 8.931 | 2-WASHER (1/4) | | 6. | * GRILLE ASSY. |
| | | 8.916 | 2-NUT (1/4-20) | | 7. | 2.585 LAMP ASSY. 898150 |
| 3. | 1.268 | 1-FRAME ASSY. 3706432 | | | 8.931 | 1-WASHER (5/16) |
| | 1.266 | 11-FRAME PLATE 3706903 | | | 8.915 | 1-NUT (5/16-18) |
| | 8.931 | 11-FRAME WASHER (1/4) | | 8. | * | BAR |
| | 8.916 | 11-FRAME NUT (1/4-20) | | | 8.903 | 1-BOLT (5/16-18 x 2 1/2) |
| | 1.268 | 1-HORIZONTAL BAR-CTR. 3706431 | | | 8.931 | 1-WASHER (5/16) |
| | 1.268 | 1-VERTICAL BAR-CTR. 3706424 | | | 8.915 | 1-NUT (5/16-18) |
| | * | 6-VERTICAL BAR (No. 1-2-3) | | 9. | * | BRACKET |
| | * | 2-VERTICAL BAR (No. 4) | | | 8.929 | 2-WASHER (7/32 x 7/16 x 1/16) |
| | * | 4-VERTICAL BAR (No. 5-6) | | | 8.931 | 2-WASHER (10) |
| | 1.266 | 2-VERTICAL BAR PLATE (No.1-2-4-5) 3706430 | | 10. | * | BAR |
| | * | 3-VERTICAL BAR PLATE (No. 3) & Ctr.) | | | 8.929 | 1-WASHER (9/32 x 5/8 x 5/64) |
| | * | 2-VERTICAL BAR PLATE (No. 6) | | | 8.931 | 1-WASHER (1/4) |
| | 8.916 | 36-NUT (1/4-20) | | | 8.916 | 1-NUT (1/4-20) |
| | | | | 11. | * | BAR |

*NOTE: Removed from service

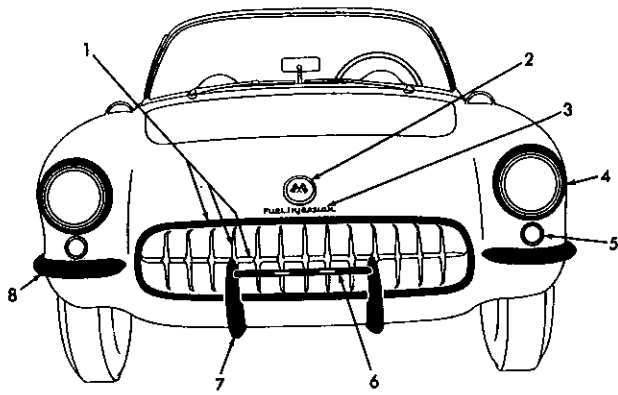


12-38

1953-55 CORVETTE—REAR

- | | | | | | | | |
|----|-------|------------------------|--------------------------------|-----|-------|------------------------------|--|
| 1. | * | BAR | | 7. | * | BEZEL | |
| | | 8.929 | 3-WASHERS (7/32 x 7/16 x 1/16) | | 8. | * BAR | |
| | | 8.931 | 3-WASHERS (10) | | 9. | * LOCK CYLINDER | |
| | | 8.915 | 3-NUTS (10-24) | | 10. | * BAR | |
| 2. | * | BEZEL | | | 8.929 | 1-WASHER (9/32 x 5/8 x 5/64) | |
| 3. | * | COVER (Plexiglas) | | | 8.931 | 1-WASHER (1/4) | |
| 4. | * | LAMP ASSY. | | | 8.916 | 1-NUT (1/4-20) | |
| 5. | 2.593 | DOOR 5933022 | | 11. | 7.831 | BAR 3706648 | |
| 6. | * | LAMP ASSY. | | | | | |

*NOTE: Removed from service

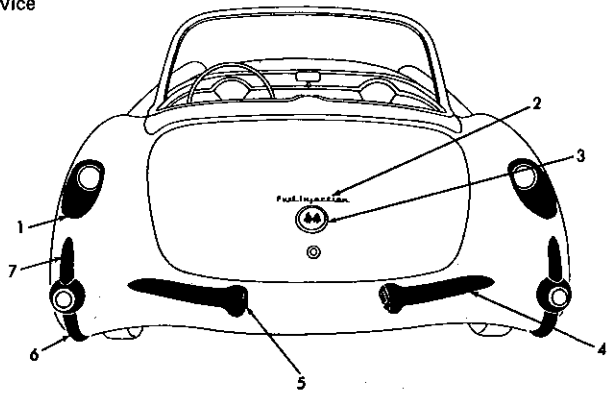


1956-57 CORVETTE—FRONT

12-39

| | | | | | | |
|----|-------|--|---------|-------|-------------------------------------|---------|
| 1. | 1.268 | 1-FRAME ASSY. | 3706432 | 8.147 | 3-NUT | 3752642 |
| | 1.266 | 11-FRAME PLATE | 3706903 | 3. | 8.147 PLATE (1957 only) | 3742212 |
| | 8.931 | 11-FRAME WASHER (1/4) | | | 8.147 3-NUT. | 3752642 |
| | 8.916 | 11-FRAME NUT (1/4-20) | | 4. | 2.728 MOULDING | 5947244 |
| | 1.268 | 1-HORIZONTAL BAR-Center | 3706431 | | 2.725 1-LAMP ASSY. | 898103 |
| | 1.268 | 1-VERTICAL BAR-Center | 3706424 | 5. | 2.585 LAMP ASSY. | 898150 |
| | 1.268 | 6-VERTICAL BAR-(No. 1-2-3) | 3706425 | 6. | * BRACKET | |
| | * | 2-VERTICAL BAR-(No. 4) | | | 8.929 2-WASHER (7/32 x 7/16 x 1/16) | |
| | * | 4-VERTICAL BAR-(No. 5-6) | | | 8.931 2-WASHER (10) | |
| | 1.266 | 8-VERTICAL BAR PLATE | 3706430 | 7. | 7.831 BAR | 3724970 |
| | | (No. 1-2-4-5) | | | 8.903 1-BOLT (5/16-18 x 2 1/2) | |
| | * | 3-VERTICAL BAR PLATE | | | 8.931 1-WASHER (5/16) | |
| | | (No. 3 & Center) | | | 8.915 1-NUT (5/16-18) | |
| | * | 2-VERTICAL BAR PLATE (No. 6) | | 8. | * BAR | |
| | 8.916 | 36-NUT (1/4-20) | | | 8.931 3-WASHER (1/4) | |
| | 8.931 | 36-WASHER (1/4) | | | 8.929 3-WASHER (5/16 x 3/4 x 1/16) | |
| | 8.929 | 40-WASHER (9/32 x 5/8 x 5/64) | | | 8.916 2-NUT (1/4-20) | |
| 2. | 1.303 | EMBLEM | 3725754 | | 8.900 1-BOLT (1/4-20 x 5/8) | |
| | 8.055 | 1-BEZEL | 3725755 | | | |

*NOTE: Removed from Service

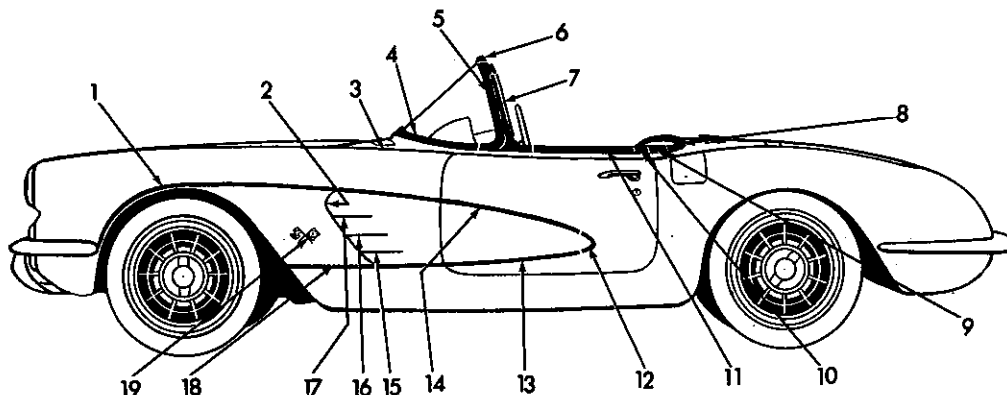


1956-57 CORVETTE—REAR

12-40

| | | | | | | |
|----|-------|------------------------------------|---------|----|------------------------------------|--|
| 1. | 2.679 | LAMP ASSY. | 898097 | 4. | * BAR | |
| | 8.977 | 1-CROME SCREW-REAR (1/4-20 x 3/4) | | | 8.929 2-WASHER (7/16 x 1 x 7/64) | |
| | 8.931 | 1-WASHER-REAR (1/4) | | | 8.915 2-NUT (3/8-16) | |
| | 8.921 | 1-NUT-REAR (1/4-20) | | 5. | * L.H. LICENSE PLATE LAMP ASSY. | |
| | * | 1-GASKET-FRONT | | 6. | * BAR | |
| | 8.929 | 2-WASHER-FRONT (5/16 x 3/4 x 1/16) | | | 8.929 2-WASHER (5/16 x 3/4 x 1/16) | |
| | 8.931 | 2-WASHER-FRONT (1/4) | | | 8.931 2-WASHER (1/4) | |
| | 8.916 | 3-NUT-FRONT (1/4-20) | | | 8.916 2-NUT (1/4-20) | |
| | 8.932 | 1-WASHER-FRONT (1/4) | | 7. | * BAR | |
| 2. | 8.147 | PLATE (1957 Only) | 3742212 | | 8.929 2-WASHER (5/16 x 3/4 x 1/16) | |
| | 8.147 | 3-NUT | 3752642 | | 8.931 2-WASHER (1/4) | |
| 3. | 8.055 | EMBLEM | 3725754 | | 8.916 2-NUT (1/4-20) | |
| | 8.055 | 1-BEZEL | 3725755 | | | |
| | 8.147 | 3-NUT | 3752642 | | | |

*NOTE: Removed from service

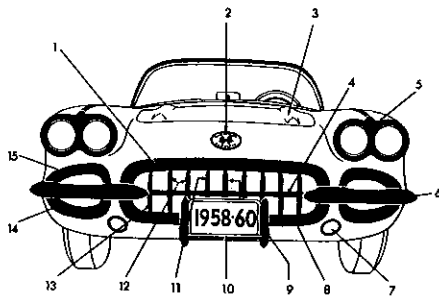


12-41

1958-60 CORVETTE

| | | | | | | | |
|-----|---------|-------------------------------------|------------|-----|--------|------------------------------------|------------|
| 1. | 8.132 | MOULDING | 3736275-76 | 12. | 12.112 | MOULDING | 3730115 |
| | 8.133 | 2-RETAINER-FRONT | 3740294 | | 8.133 | 1-BOLT | 3730104 |
| | * | 1-RETAINER-REAR | | | 8.147 | 1-WASHER | 3662988 |
| | 8.133 | 5-BOLT ASSY. | 3730104 | | 8.929 | 1-WASHER (5/32 x 3/8 x 1/16) | |
| | 8.147 | 5-WASHER-CENTER | 3662988 | | 8.915 | 1-NUT (6/32) | |
| | 8.929 | 5-WASHER-CENTER (5/32 x 3/8 x 1/16) | | 13. | 12.112 | MOULDING | 3730113-14 |
| | 8.915 | 5-NUT-CENTER (6/32) | | | 8.133 | 5-BOLT | 3730104 |
| 2. | 8.132 | MOULDING | 3746141-42 | | 8.147 | 5-WASHER | 3662988 |
| 3. | 8.132 | MOULDING | 3740215 | | 8.929 | 5-WASHER (5/32 x 3/8 x 1/16) | |
| | 8.147 | 12-WASHER | 3662988 | | 8.915 | 5-NUT (6/32) | |
| | 8.929 | 12-WASHER | 131014 | 14. | 12.112 | MOULDING | 3730111-12 |
| | 8.915 | 12-NUT (6/32) | | | 8.133 | 5-BOLT | 3730104 |
| 4. | 10.093 | MOULDING | 3716330 | | 8.147 | 5-WASHER | 3662988 |
| 5. | 12.808 | FRAME ASSY. | 3762679-80 | | 8.929 | 5-WASHER (5/32 x 3/8 x 1/16) | |
| | 8.908 | 2-BOLT-LOWER (3/8) | | | 8.915 | 5-NUT (6/32) | |
| | 8.929 | 2-WASHER-LOWER (5/16 x 3/4 x 1/16) | | 15. | 8.132 | MOULDING | 3744871-72 |
| | 8.931 | 2-WASHER-LOWER (5/16) | | | 8.132 | 1-PLATE | 3747070 |
| | 8.915 | 2-NUT-LOWER (5/16-18) | | | 8.147 | 3-NUT | 3752642 |
| 6. | * | MOULDING | | 16. | 8.132 | MOULDING | 3744869-70 |
| | 8.977 | 4-SCREW (8-18 x 1-3/4) | | | 8.132 | 1-PLATE | 3743414 |
| 7. | 10.701 | CHANNEL-LEFT | 3762557 | | 8.147 | 3-NUT | 3752642 |
| | 10.701 | CHANNEL-RIGHT | 3762558 | 17. | 8.132 | MOULDING | 3744867-68 |
| 8. | * | MOULDING | | | 8.132 | 1-PLATE | 3743414 |
| | 12.118A | 4-CLIP | 3706550 | | 8.147 | 3-NUT | 3752642 |
| | 8.906 | 4-BOLT (1/2) | | 18. | 8.132 | MOULDING | 3733571-72 |
| | 8.931 | 4-L/WASHER (10) | | | * | RETAINER-REAR | |
| 9. | * | MOULDING | | | 8.133 | 2-BOLT ASSY. | 3730104 |
| 10. | 10.708 | MOULDING | 3757151-52 | | 8.147 | 2-WASHER-FRONT | 3662988 |
| | * | 1-RETAINER- | | | 8.929 | 2-WASHER-FRONT (5/32 x 3/8 x 1/16) | |
| | * | 1-RETAINER | | | 8.915 | 2-NUT-FRONT (6/32) | |
| 11. | * | MOULDING | | 19. | 8.147 | EMBLEM | 3767507 |

* Removed from Service

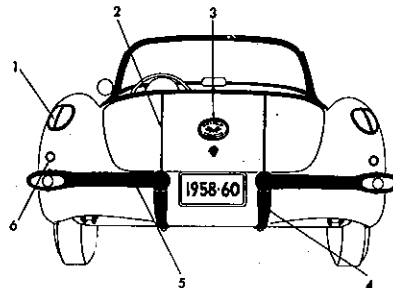


12-42

1958-60 CORVETTE—FRONT

| | | | | | | |
|----|--------|---------------------------------|------------|-------|---------------------------------|----------------|
| 1. | 1.268 | FRAME | 3799991 | 8.929 | 2-WASHER (13/32 x 13/16 x 5/64) | |
| | 8.931 | 9-WASHER (1/4) | | 8.915 | 1-NUT-REAR (3/8-16) | |
| | 8.916 | 9-NUT (1/4-20) | | 7.828 | 1-SPACER-FRONT | 3736248 |
| 2. | 12.182 | EMBLEM | 3796462 | 7.828 | 1-SPACER-REAR | 3736249 |
| | 8.055 | 1-BEZEL | 3740239 | * | BAR | |
| | 8.055 | 1-SEAL | 3753163 | 1.266 | 1-PLATE | 3706430 |
| | 8.055 | 1-PLATE | 3740240 | 8.931 | 2-WASHER (1/4) | |
| | 8.147 | 3-NUT | 3752642 | 8.916 | 2-NUT (1/4-20) | |
| 3. | 1.268 | BAR | 3743622 | 10. | 1.268 | BAR |
| | * | 2-PLATE | | | 1.266 | 1-PLATE |
| | 8.916 | 4-NUT (5/16-18) | | | 8.931 | 2-WASHER (1/4) |
| 4. | 2.728 | MOULDING | 3742509 | | 8.916 | 2-NUT (1/4-20) |
| 5. | 7.831 | BAR | 3739385-86 | 11. | 1.268 | BAR |
| | 1.266 | 1-PLATE | 3743617 | | 1.266 | 1-PLATE |
| | 8.916 | 2-NUT (5/16-18) | | | 8.931 | 2-WASHER (1/4) |
| | 8.931 | 2-WASHER (7/16) | | | 8.916 | 2-NUT (1/4-20) |
| | 8.929 | 2-WASHER (15/32 x 59/64 x 5/64) | | 12. | * | BAR |
| | 8.900 | 2-BOLT (1-1/4) | | | 1.266 | 1-PLATE |
| 6. | 2.585 | LAMP ASSY. | 898717-18 | | 8.931 | 2-WASHER (1/4) |
| | 8.931 | 2-WASHER (10) | | | 8.916 | 2-NUT (1/4-20) |
| | 8.915 | 2-NUT (10-24) | | 13. | 1.268 | MOULDING |
| 7. | 1.268 | FRAME | 3799993 | | 8.931 | 3-WASHER (1/4) |
| | 8.931 | 9-WASHER (1/4) | | | 8.916 | 3-NUT (1/4-20) |
| | 8.916 | 9-NUT (1/4-20) | | 4. | 1.268 | MOULDING |
| 8. | 7.831 | GUARD | 3736237-38 | | 8.931 | 3-WASHER (1/4) |
| | 8.900 | 1-BOLT-FRONT (1-1/4) | | | 8.916 | 3-NUT (1/4-20) |
| | 8.900 | 1-BOLT-REAR (3/8-16 x 1 1/2) | | | | |

*NOTE: Removed from Service

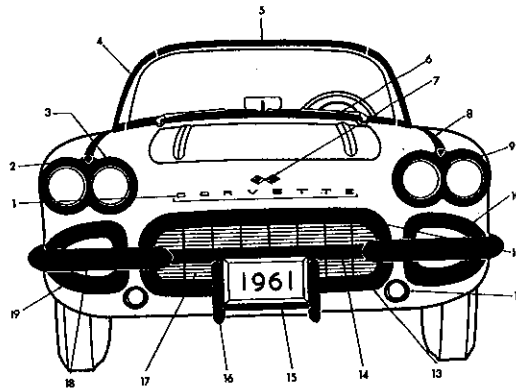


12-43

1958-60 CORVETTE—REAR

| | | | | | | | |
|----|--------|------------------------------------|---------|----|-------|--------------------------------------|------------|
| 1. | 2.679 | LAMP ASSY. | 899056 | 4. | 7.831 | BAR ASSY. | 3739352+ |
| | 8.931 | 1-L/WASHER-REAR (1/4) | | | 8.917 | 2-NUT (7/16-14) | |
| | 8.929 | 1-WASHER-REAR | | | 8.931 | 2-L/WASHER (7/16) | |
| | 8.900 | 1-BOLT-REAR (1/2) | | 5. | 7.831 | BAR ASSY. | 3736287-88 |
| | 8.929 | 2-WASHER-FRONT (5/16 x 3/4 x 1/16) | | | 8.929 | 2-WASHER-REAR (1/2 x 1-1/4 x 7/64) | |
| | 8.931 | 2-L/WASHER-FRONT (1/4) | | | 8.917 | 2-NUT-REAR (7/16-14) | |
| | 8.916 | 2-NUT-FRONT (1/4-20) | | | 8.900 | 1-BOLT-SIDE (2 1/2) | |
| 2. | 12.182 | MOULDING | 3742515 | | 8.931 | 1-L/WASHER-SIDE (7/16) | |
| | 8.921 | 5-NUT (1958 Only) (3/16) | | | 8.929 | 1-WASHER-SIDE (15/32 x 59/64 x 5/64) | |
| 3. | 12.182 | EMBLEM | 3796462 | 6. | 2.689 | REFLEX ASSY. | 5949741 |
| | 8.055 | 1-BEZEL | 3740239 | | 2.689 | 1-BEZEL | 5949740 |
| | 8.055 | 1-SEAL | 3753163 | | 8.932 | 1-L/WASHER (10) | |
| | 8.055 | 1-PLATE | 3740240 | | 8.915 | 1-NUT (10-32) | |
| | 8.147 | 3-NUT | 3752642 | | | | |

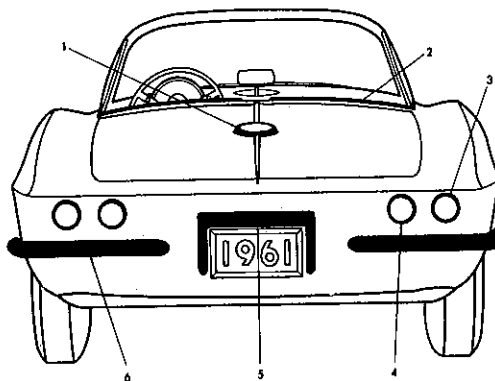
+L.H. Removed from service



12-44

1961 CORVETTE—FRONT

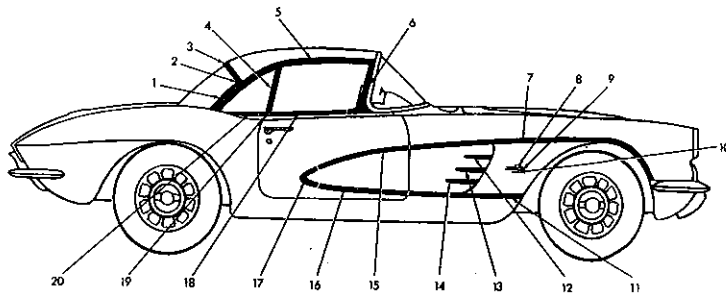
| | | | | | | | |
|-----|--------|-------------------------------|------------|-----|-------|----------------------------------|------------|
| 1. | 8.055 | LETTER UNIT | 3782700 | 14. | 7.828 | GUARD ASSY. | 3779661 |
| 2. | 8.131 | EXTENSION | 3779240 | | 8.915 | 4-NUTS (1/4-20) | |
| 3. | 2.728 | MOULDING | 3779239 | | 8.931 | 4-WASHERS (1/4) | |
| 4. | 12.808 | SIDE FRAME ASSY. | 3762679-80 | | 8.929 | 4-WASHERS (9/32 x 5/8 x 5/64) | |
| 5. | 10.093 | MOULDING ASSY. | 3761039 | 15. | 7.800 | BAR | 3736263 |
| 6. | 10.093 | MOULDING | 3716330 | 16. | 7.831 | GUARD ASSY. | 3736237-38 |
| 7. | 8.055 | EMBLEM | 3781030 | | 8.900 | 1-BOLT-FRONT (3/8-16 x 1-1/4) | |
| | 8.147 | 2-NUTS | 3844131 | | 3.275 | 1-BOLT-REAR | 3733130 |
| 8. | 8.132 | MOULDING ASSY. | 3740215 | | 8.929 | 2-WASHERS (13/32 x 13/16 x 5/64) | |
| | 8.147 | 11-NUTS | 3752642 | | 8.915 | 1-NUT-REAR (3/8-16) | |
| 9. | 2.728 | MOULDING | 3779239 | | 7.828 | 2-SPACERS | 3736249 |
| 10. | 1.268 | MOULDING | 3740209-10 | 17. | 1.266 | GRILLE | 3779660 |
| 11. | 1.268 | FRAME ASSY. | 3799991 | | 8.915 | 12-NUTS (1/4-20) | |
| | 8.915 | 6-NUTS (1/4-20) | | | 8.931 | 12-WASHERS (1/4) | |
| 12. | 2.585 | LAMP ASSY. | 898717-18 | 18. | 7.831 | BAR ASSY. | 3782291-92 |
| | 8.931 | 2-WASHERS (10) | | | 8.900 | 2-BOLTS (7/16-14 x 2-1/2) | |
| | 8.915 | 2-NUTS (10-24) | | | 8.931 | 2-WASHERS (7/16) | |
| 13. | 1.268 | FRAME ASSY. | 3799993 | | 8.929 | 2-WASHERS (15/32 x 59/64 x 5/64) | |
| | 8.915 | 8-NUTS (1/4-20) | | 19. | 1.268 | MOULDING | 3740211-12 |
| | 8.931 | 8-WASHERS (1/4) | | | | | |
| | 8.929 | 8-WASHERS (9/32 x 5/8 x 5/64) | | | | | |



12-45

1961 CORVETTE—REAR

| | | | | | | | |
|----|---------|---------------------------|------------|-------|----------------------------------|----------------------------------|------------|
| 1. | 12.182 | EMBLEM | 3796462 | 8.931 | 8-L/WASHERS (7/16) | | |
| | 8.055 | 1-BEZEL | 3740239 | 8.900 | 2-BOLTS (7/16-14 x 1-1/2) | | |
| | 8.055 | 1-SEAL | 3753163 | 8.929 | 4-WASHERS (15/32 x 59/64 x 5/64) | | |
| | 8.055 | 1-PLATE | 3740240 | 7.874 | 2-BOLTS | 3716509 | |
| | 8.147 | 3-NUTS | 3752642 | 8.915 | 2-NUTS (7/16-14 x 3/8) | | |
| 2. | 12.182 | MOULDING | 3779883-84 | 6. | 7.831 | BAR ASSY. | 3776549-50 |
| | 12.118A | 4-CLIPS | 3706550 | | 8.931 | 10-WASHERS (7/16) | |
| 3. | 2.679 | LAMP ASSY. | 899631-32 | | 8.929 | 2-WASHERS (15/32 x 59/64 x 5/64) | |
| 4. | 2.679 | LAMP ASSY. | 899629-30 | | 8.900 | 2-BOLTS (7/16-14 x 1 1/4) | |
| 5. | 7.831 | BAR ASSY. (Center) | 3776063 | | 8.900 | 4-BOLTS (7/16-14 x 1 1/2) | |
| | 8.900 | 2-BOLTS (7/16-14 x 1 1/4) | | | | | |

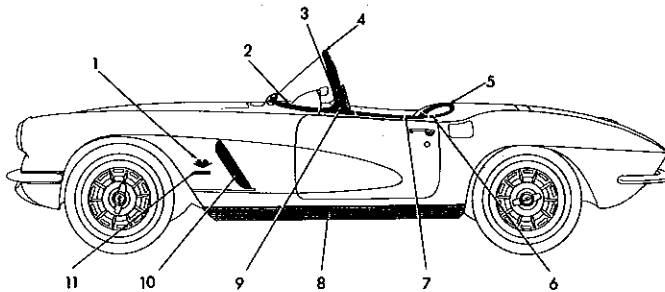


12-46

1961 CORVETTE

| | | | | | | | |
|-----|--------|-------------------------------------|------------|-----|--------|------------------------------|------------|
| 1. | * | MOULDING | | 13. | 8.132 | MOULDING | 3744869-70 |
| 2. | 11.209 | ESCUTCHEON | 3726874 | | 8.132 | 1-PLATE | 3747070 |
| 3. | 11.208 | MOULDING | 3726323 | | 8.147 | 3-NUT | 3752642 |
| 4. | 11.015 | CHANNEL ASSY. | 3726381-82 | 14. | 8.132 | MOULDING | 3744871-72 |
| 5. | * | MOULDING | | | 8.132 | 1-PLATE | 3747070 |
| | * | 4-SCREW | | | 8.147 | 3-NUT | 3752642 |
| | 8.977 | 6-SCREW (10-12 x 3/4") | | 15. | 12.112 | MOULDING | 3730111-12 |
| 6. | 10.701 | POST ASSY. | 3762557-58 | | 8.133 | 5-BOLT | 3730104 |
| 7. | 8.132 | MOULDING | 3736275-76 | | 8.147 | 5-WASHER | 3662988 |
| | 8.133 | 2-RETAINER-FRONT | 3740294 | | 8.929 | 5-WASHER (5/32 x 3/8 x 1/16) | |
| | 8.133 | 1-RETAINER-REAR | 3730268 | | 8.915 | 5-NUT (6/32) | |
| | 8.133 | 5-BOLT ASSY. CENTER | 3730104 | 16. | 12.112 | MOULDING | 3730113-14 |
| | 8.147 | 5-WASHER CENTER | 3662988 | | 8.133 | 5-BOLT | 3730104 |
| | 8.929 | 5-WASHER CENTER (5/32 x 3/8 x 1/16) | | | 8.147 | 5-WASHER | 3662988 |
| | 8.915 | 5-NUT-CENTER (6/32) | | | 8.929 | 5-WASHER (5/32 x 3/8 x 1/16) | |
| 8. | 8.147 | ORNAMENT | 3779673-74 | | 8.915 | 5-NUT (6/32) | |
| 9. | 8.147 | PLATE | 3779671 | 17. | 12.112 | MOULDING | 3730115 |
| 10. | 8.147 | ORNAMENT | 3779675-76 | | 8.133 | 1-BOLT | 3730104 |
| 11. | 8.132 | MOULDING | 3733571-72 | | 8.147 | 1-WASHER | 3662988 |
| | 8.133 | 2-RETAINER REAR | 3730268 | | 8.929 | 1-WASHER (5/32 x 3/8 x 1/16) | |
| | 8.133 | 2-BOLT ASSY.-FRONT | 3730104 | | 8.915 | 1-NUT (6/32) | |
| | 8.147 | 2-WASHER FRONT | 3662988 | 18. | 10.707 | MOULDING | 3762453-54 |
| | 8.929 | 2-WASHER FRONT (5/32 x 3/8 x 1/16) | | | 10.708 | 2-RETAINER | 567717 |
| | 8.915 | 2-NUT-FRONT (6/32) | | | 8.921 | 2-NUT (10-24) | |
| 12. | 8.132 | MOULDING | 3744867-68 | 19. | * | MOULDING | |
| | 8.132 | 1-PLATE | 3747070 | 20. | * | MOULDING | |
| | 8.147 | 3-NUT | 3752642 | | | | |

*NOTE: Removed from service



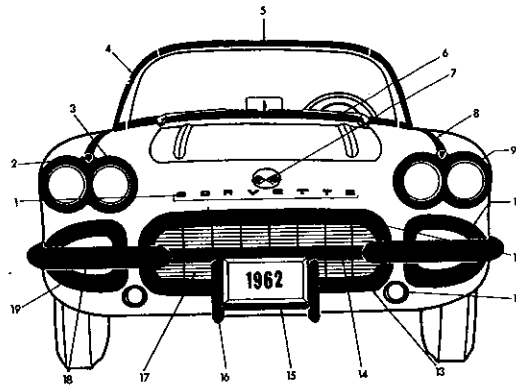
12-47

1962 CORVETTE

| | | | | | | | |
|----|---------|----------------------|------------|-----|--------|----------------------|-------------|
| 1. | 8.147 | EMBLEM | 3792000 | 7. | 10.707 | MOULDING | 3762453-54 |
| | 8.147 | 2-NUT | 3752642 | | 10.708 | 2-RETAINER | 567717 |
| 2. | 10.093 | MOULDING | 3716330 | | 8.921 | 2-NUT (10-24) | |
| 3. | 12.808 | FRAME ASSY. | 3762679-80 | 8. | 8.304 | MOULDING | 3820541-42 |
| 4. | 10.093 | MOULDING ASSY. | 3761039 | | 8.309 | 1-RETAINER | 3886638 |
| 5. | 12.182 | MOULDING | 3779883-84 | | 8.977 | 1-SCREW (8-18 x 3/4) | |
| | 12.118A | 4-CLIP | 3706550 | 9. | 10.701 | POST ASSY. | 3762557-58+ |
| | 8.906 | 4-BOLT (10-24 x 1/2) | | 10. | 8.132 | MOULDING | 3621097 |
| | 8.931 | 4-L/WASHER (10) | | | 8.147 | 3-NUT | 3752642 |
| 6. | * | MOULDING | | 11. | 8.147 | PLATE | 3795372 |
| | * | 1-NUT | | | 8.147 | 2-NUT | 3752642 |

*NOTE: Removed from service

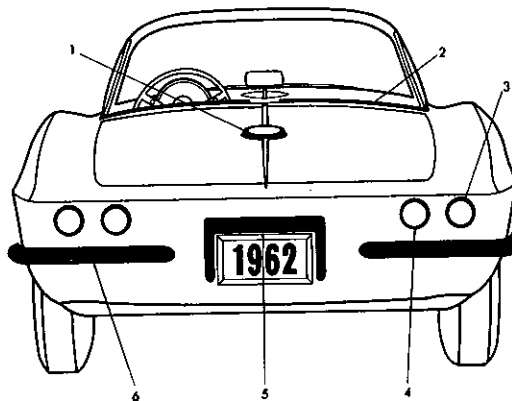
+R.H. Removed from service



12-48

1962 CORVETTE—FRONT

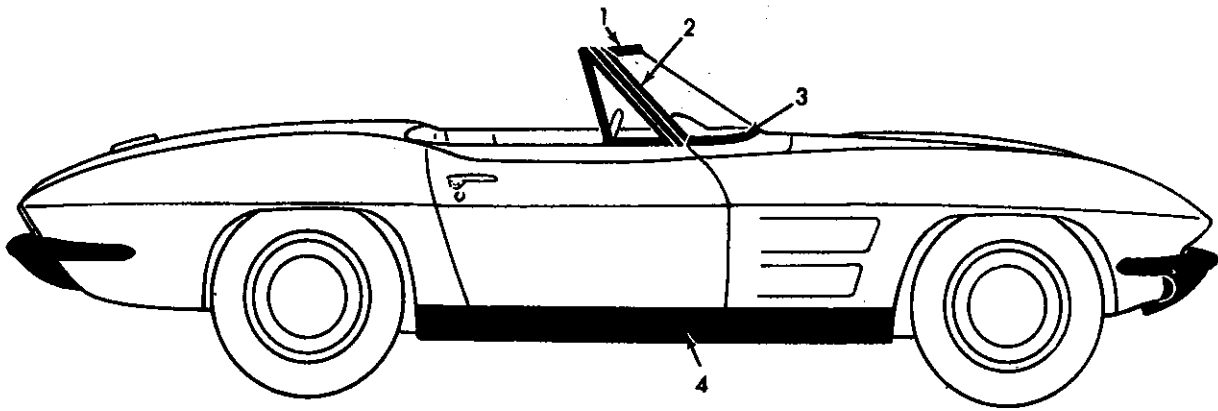
| | | | | | | | |
|-----|--------|------------------------------|------------|-------|------------------------------|---------------------------------|------------|
| 1. | 8.055 | LETTER UNIT | 3782700 | 8.915 | 4-NUT (1/4-20) | | |
| 2. | 8.131 | EXTENSION | 3779240 | 8.931 | 4-WASHER (1/4) | | |
| 3. | 2.728 | MOULDING | 3779239 | 8.929 | 4-WASHER (9/32 x 5/8 x 5/64) | | |
| 4. | 12.808 | SIDE FRAME ASSY. | 3762679-80 | 15. | 7.800 | BAR | 3736263 |
| 5. | 10.093 | MOULDING ASSY. | 3761039 | 16. | 7.831 | GUARD ASSY. | 3736237-38 |
| 6. | 10.093 | MOULDING | 3716330 | | 8.915 | 1-BOLT (FRONT) (3/8-16) | |
| 7. | 8.055 | EMBLEM | 3796355 | | 8.900 | 1-BOLT (REAR) (3/8-16 x 2-1/2) | |
| 8. | 8.132 | MOULDING ASSY. | 3740215 | | 8.929 | 2-WASHER (13/32 x 13/16 x 5/64) | |
| 9. | 2.728 | MOULDING | 3779239 | | 8.915 | 1-NUT (REAR) (3/8-16) | |
| 10. | 1.268 | MOULDING | 3740209-10 | | 7.828 | 2-SPACER | 3736249 |
| 11. | 1.268 | FRAME ASSY. | 3799991 | 17. | 1.266 | GRILLE | 3799730 |
| | 8.915 | 6-NUT (1/4-20) | | | 8.915 | 12-NUT (1/4-20) | |
| 12. | 2.585 | LAMP ASSY. | 898717-18 | | 8.931 | 12-WASHER (1/4) | |
| | 8.931 | 2-WASHER (10) | | | 8.929 | 12-WASHER (9/32 x 5/8 x 5/64) | |
| | 8.915 | 2-NUT (10-24) | | | 6.581 | 8-SPACER | 3709917 |
| 13. | 1.268 | FRAME ASSY. | 3799993 | 18. | 7.831 | BAR ASSY. | 3782291-92 |
| | 8.915 | 8-NUT (1/4-20) | | | 8.900 | 2-BOLTS (7/16-14 x 2-1/2) | |
| | 8.931 | 8-WASHER (1/4) | | | 8.931 | 2-L/WASHER (7/16) | |
| | 8.929 | 8-WASHER (9/32 x 5/8 x 5/64) | | | 8.929 | 2-WASHER (15/32 x 59/64 x 5/64) | |
| 14. | 7.828 | GUARD ASSY. | 3779661 | 19. | 1.268 | MOULDING | 3740211-12 |



12-49

1962 CORVETTE—REAR

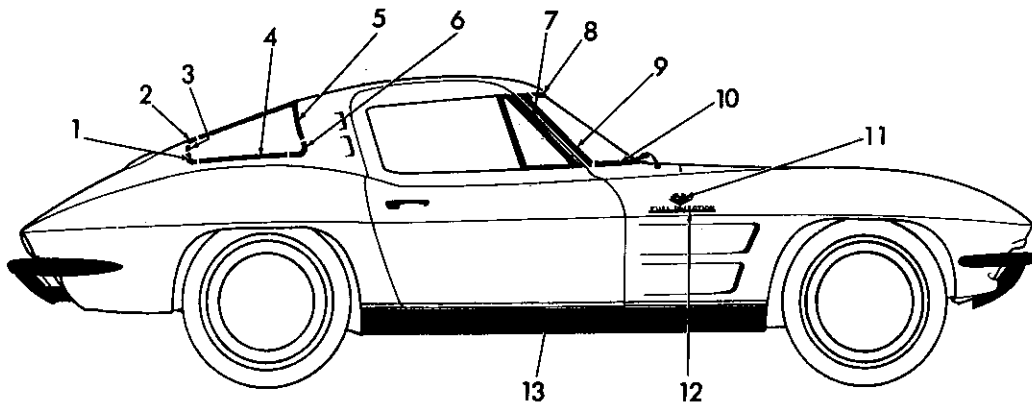
| | | | | | | | |
|----|---------|---------------------------|------------|-------|---------------------------------|---------------------------------|------------|
| 1. | 12.182 | EMBLEM | 3796462 | 8.931 | 8-L/WASHER (7/16) | | |
| | 12.182 | 1-BEZEL | 3740239 | 8.900 | 2-BOLTS (7/16-14 x 1-1/2) | | |
| | 8.055 | 1-SEAL | 3753163 | 8.929 | 4-WASHER (15/32 x 59/64 x 5/64) | | |
| | 8.055 | 1-PLATE | 3796464 | 7.874 | BOLT | 3716509 | |
| | 8.921 | 3-NUT (1/8) | | 8.915 | 2-NUT (7/16-14 x 3/8) | | |
| 2. | 12.182 | MOULDING | 3779883-84 | 6. | 7.831 | BAR ASSY. | 3776549-50 |
| | 12.118A | 4-CLIP | 3706550 | | 8.931 | 10-L/WASHER (7/16) | |
| 3. | 2.679 | LAMP ASSY. | 899631-32 | | 8.929 | 2-WASHER (15/32 x 59/64 x 5/64) | |
| 4. | 2.679 | LAMP ASSY. | 899629-30 | | 8.900 | 2-BOLTS (7/16-14 x 1-1/4) | |
| 5. | 7.831 | BAR ASSY. (CENTER) | 3776063 | | 8.900 | 8-BOLTS (9/16-14 x 1-1/2) | |
| | 8.900 | 2-BOLTS (7/16-14 x 1-1/4) | | | | | |



12-50

1963 CORVETTE CONVERTIBLE (MODEL 867)

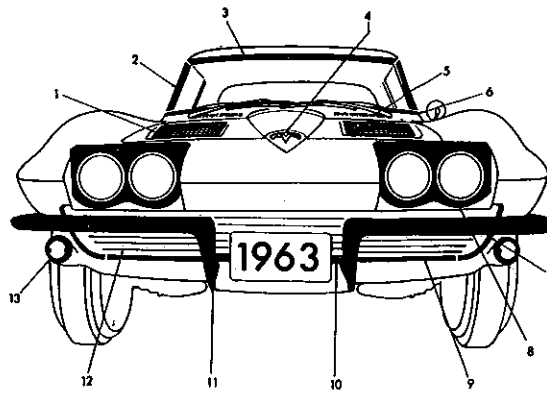
| | | | | | | | |
|----|--------|----------------|------------|----|--------|---------------------|---------|
| 1. | 10.093 | MOULDING | 3823439 | 3. | 10.093 | MOULDING | 3823440 |
| 2. | 10.093 | MOULDING | 3823443-44 | 4. | 8.304 | MOULDING UNIT | 3849594 |



12-51

1963 CORVETTE COUPE (MODEL 837)

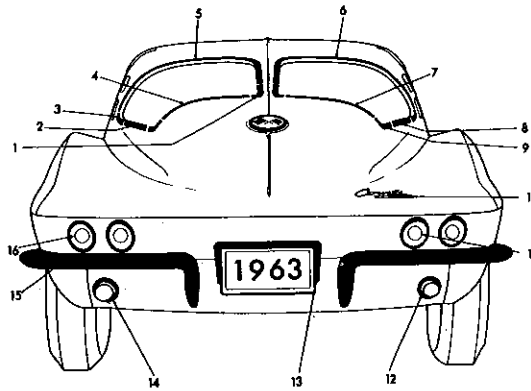
| | | | | | | | |
|----|--------|----------------|------------|-----|--------|---------------------|------------|
| 1. | 11.208 | CAP | 3825023 | 9. | 10.093 | MOULDING | 3822529-30 |
| 2. | 11.133 | CAP | 3825025 | 10. | 10.093 | MOULDING | 3823440 |
| 3. | 11.208 | MOULDING | 3825018 | 11. | 8.147 | EMBLEM | 3872930 |
| 4. | 11.208 | MOULDING | 3837941 | | 8.921 | 3-NUT (3/16) | |
| 5. | 11.208 | MOULDING | 3825015-16 | 12. | 8.147 | PLATE | 3819575 |
| 6. | 11.208 | CAP | 3825021 | | 8.921 | 2-NUT (3/16) | |
| 7. | 10.707 | MOULDING | 3822511-12 | 13. | 8.304 | MOULDING UNIT | 3834713 |
| 8. | 10.093 | MOULDING | 3823438 | | | | |



12-52

1963 CORVETTE—FRONT (MODEL 867 SHOWN)

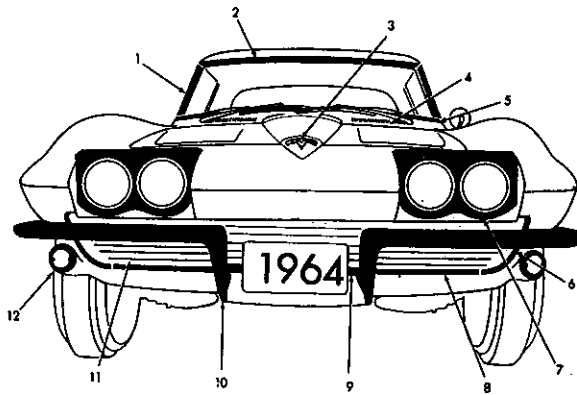
| | | | | | | |
|-----|--------|--------------------|------------|-------|---------------------------------|---------------------------|
| 1. | 8.055 | ORNAMENT ASSY..... | 3837360 | 8.931 | 4-L/WASHER (7/16) | |
| | 8.921 | 8-NUT (3/16) | | 8.929 | 4-WASHER (15/32 x 59/64 x 5/64) | |
| 2. | 10.093 | MOULDING | 3823443-44 | 8.900 | 2-BOLT (5/8) | |
| 3. | 10.093 | MOULDING | 3823439 | 8.931 | 2-L/WASHER (1/4) | |
| 4. | 1.303 | EMBLEM | 3797400 | 8.916 | 2-NUT (1/4-20) | |
| | 8.921 | 3-NUT (3/16) | | 11. | 7.831 | BAR ASSY. 3797337-38 |
| 5. | 12.800 | GRILLE | 3797077-78 | 8.900 | 2-BOLT (7/16-14) | |
| | * | 8-SCREW | | 8.900 | 2-BOLT (2 1/4) | |
| | 8.309 | 8-NUT | 3842929 | 8.931 | 4-L/WASHER (7/16) | |
| 6. | 10.093 | MOULDING | 3823440 | 8.929 | 1-WASHER | |
| 7. | 1.268 | MOULDING | 3797233-34 | 12. | 1.266 | GRILLE ASSY. 3846941 |
| 8. | 2.728 | BEZEL | 3845801-2 | 8.977 | 10-SCREW (10-12 x 5/8) | |
| | 8.977 | 2-NUT (8-18 x 1/2) | | 13. | 2.585 | LAMP ASSY. 910552 |
| 9. | 1.268 | MOULDING | 3797235 | 8.915 | 2-NUT (10-24) | |
| 10. | 7.831 | BAR ASSY. | 3797439 | 8.932 | 2-WASHER (10) | |
| | 8.900 | 4-BOLT (7/16-14) | | | | |



12-53

1963 CORVETTE COUPE - REAR

| | | | | | | |
|-----|--------|-----------------|-----------|-------|---------------------------------|---------------------------|
| 1. | 11.133 | CAP | 3825025 | 8.977 | 3-SCREW (10-12 x 3/4) | |
| 2. | 11.208 | MOULDING | 3837941 | 8.309 | 3-NUT | 3842929 |
| 3. | 11.208 | CAP | 3825021 | 13. | 7.800 | BEZEL |
| 4. | 11.208 | MOULDING | 3825017 | 7.800 | 4-NUT | 3797486 |
| 5. | 11.208 | MOULDING | 3825015 | 14. | 3.705 | BEZEL |
| 6. | 11.208 | MOULDING | 3825016 | 8.977 | 3-SCREW (10-12 x 3/4) | 3826941 |
| 7. | 11.208 | MOULDING | 3825018 | 8.309 | 3-NUT | 3842929 |
| 8. | 11.208 | MOULDING | 3837941 | 15. | 7.831 | BAR ASSY. 3797231-32 |
| 9. | 11.208 | CAP | 3825023 | 8.900 | 4-BOLT (7/16-14) | |
| 10. | 12.182 | PLATE | 3797414 | 8.929 | 4-WASHER (15/32 x 59/64 x 5/64) | |
| | 8.147 | 2-NUT ASSY..... | 3752642 | 8.931 | 4-L/WASHER (7/16 Med.) | |
| 11. | 2.679 | LAMP ASSY | 910557-58 | 16. | 2.679 | LAMP ASSY. 910553-54 |
| | 8.921 | 2-NUT (1/4-7/8) | | 8.921 | 2-NUT (1/4 x 7/8) | |
| 12. | 3.705 | BEZEL | 3826942 | | | |

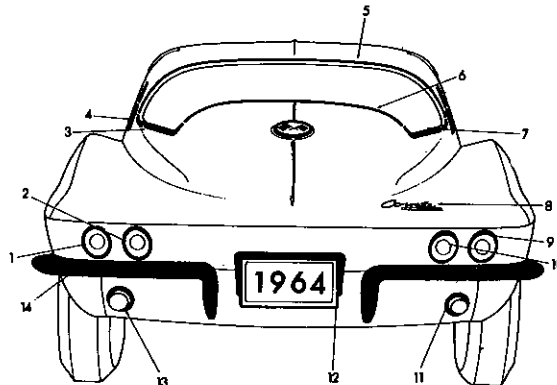


12-54

1964 CORVETTE FRONT

| | | | | | | |
|----|--------|-----------------------|------------|-------|---------------------------------|---------------------------|
| 1. | 10.093 | MOULDING | 3823443-44 | 8.900 | 4-WASHERS (7/16) | |
| 2. | 10.093 | MOULDING | 3823439 | 8.929 | 4-WASHER (15/32 x 59/64 x 5/64) | |
| 3. | 8.055 | EMBLEM | 3797400 | 8.900 | 2-BOLT (5/8) | |
| | 4.008 | 3-NUT ASSY. | 3843131 | 8.931 | 2-WASHERS (1/4) | |
| 4. | 12.800 | GRILLE | 3797077-78 | 8.916 | 2-NUT (1/4-20) | |
| | 8.309 | 8-SCREW | 3822661 | 10. | 7.831 | BAR ASSY. 3797337-38 |
| | 8.309 | 8-NUT | 3842929 | 8.900 | 2-BOLTS (1-1/4) | |
| 5. | 10.093 | MOULDING | 3841254 | 8.900 | 2-BOLTS (2-1/4) | |
| 6. | 1.268 | MOULDING | 3797233-34 | 8.931 | 4-WASHERS (7/16) | |
| | 8.977 | 2-SCREW (10-12 x 5/8) | | 8.929 | 1-WASHER (15/32 x 59/64 x 5/64) | |
| 7. | 2.728 | BEZEL | 3845801-02 | 11. | 1.266 | GRILLE ASSY. 3846941 |
| | * | 2-NUT | | 8.977 | 10-SCREW (10-12 x 5/8) | |
| | 8.977 | 2-SCREW (8-18 x 1/2) | | 12. | 2.585 | LAMP ASSY. 910552 |
| 8. | 1.268 | MOULDING | 3797235 | 8.915 | 2-NUT (10-24) | |
| | 8.977 | 2-SCREW (10-12 x 5/8) | | 8.932 | 2-WASHER (10) | |
| 9. | 7.831 | BAR ASSY. | 3797439 | | | |

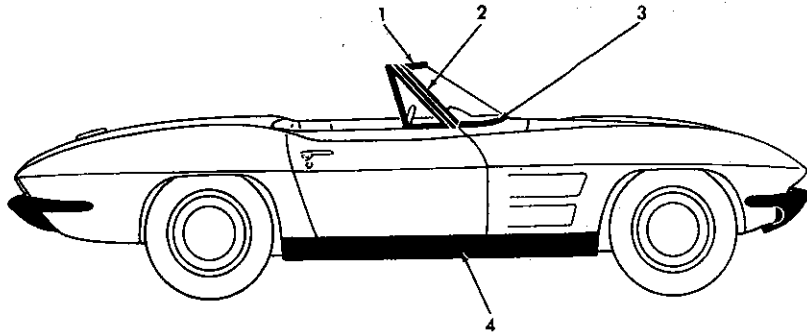
*NOTE: Remove from service



12-55

1964 CORVETTE REAR

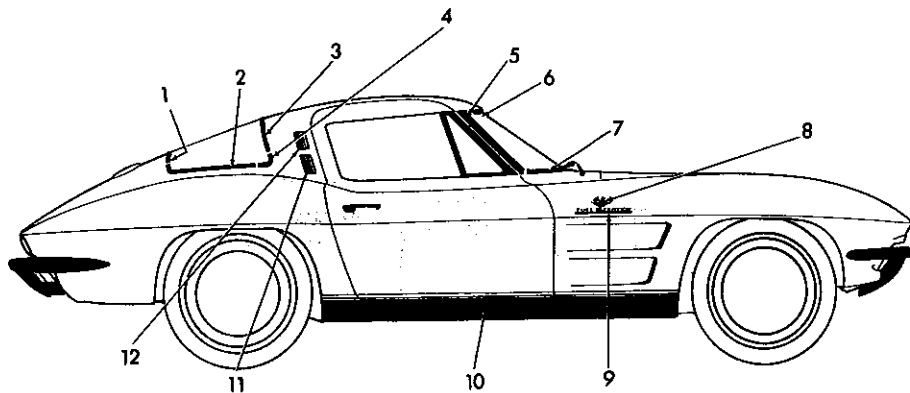
| | | | | | | |
|-----|--------|-------------------|---------|-------|---------------------------------|---------------------------|
| 1. | 2.679 | LAMP ASSY. | 910553 | 8.921 | 2-NUT (1/4) | |
| | 8.921 | 2-NUT (1/4) | | 11. | 3.705 | BEZEL |
| 2. | 2.679 | LAMP ASSY. | 910557 | 8.977 | 3-SCREW (10-12 x 3/4) | 3850506 |
| | 8.921 | 2-NUT (1/4) | | 8.309 | 3-NUT | 3842929 |
| 3. | 11.208 | MOULDING | 3841687 | 12. | 7.800 | BEZEL |
| 4. | 11.208 | CAP | 3841679 | 7.800 | 4-NUT | 3797486 |
| 5. | 11.208 | MOULDING | 3847981 | 13. | 3.705 | BEZEL |
| 6. | 11.208 | MOULDING | 3847982 | 8.977 | 3-SCREW (10-12 x 3/4) | 3850505 |
| 7. | 11.208 | MOULDING | 3841688 | 8.309 | 3-NUT | 3842929 |
| 8. | 12.182 | PLATE | 3797414 | 14. | 7.831 | BAR ASSY. 3797231-32 |
| | 8.921 | 2-NUT ASSY. (1/8) | | 8.900 | 4-BOLTS (7/16-14 x 1-1/4) | |
| 9. | 2.679 | LAMP ASSY. | 910554 | 8.929 | 4-WASHER (15/32 x 59/64 x 5/64) | |
| | 8.921 | 2-NUT (1/4) | | 8.931 | 4-L/WASHER (7/16) | |
| 10. | 2.679 | LAMP ASSY. | 910558 | | | |



12-56

1964 CORVETTE CONVERTIBLE

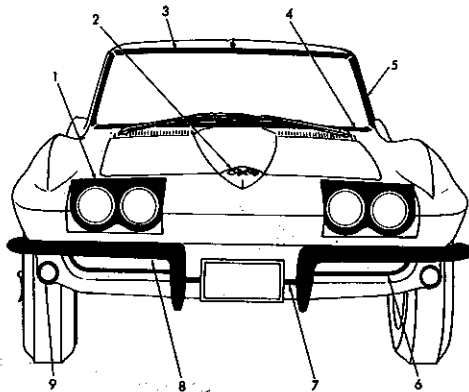
| | | | | | | | |
|----|--------|----------------|------------|----|--------|---------------------|---------|
| 1. | 10.093 | MOULDING | 3823439 | 3. | 10.093 | MOULDING | 3823440 |
| 2. | 10.093 | MOULDING | 3823443-44 | 4. | 8.304 | MOULDING UNIT | 3849594 |



12-57

1964 CORVETTE COUPE

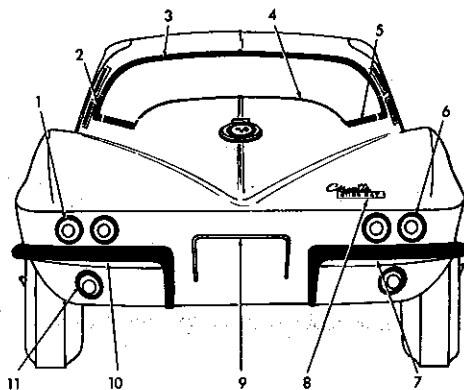
| | | | | | | | |
|----|--------|----------------|------------|-------|----------------|----------------|------------|
| 1. | 11.208 | MOULDING | 3847982 | 8.921 | 3-NUT (3/16") | | |
| 2. | 11.208 | MOULDING | 3841687-88 | 9. | 8.147 | PLATE | 3819575 |
| 3. | 11.208 | MOULDING | 3847981 | 8.921 | 2-NUT (3/16") | | |
| 4. | 11.208 | CAP | 3841679 | 10. | 8.304 | MOULDING | 3849594 |
| 5. | 10.093 | CAP | 3859044 | 8.309 | 12-SCREW | | 3822661 |
| 6. | 10.093 | MOULDING | 3841255 | 11. | 12.811 | GRILLE | 3850825-26 |
| 7. | 10.093 | MOULDING | 3841251-52 | 12. | 12.811 | GRILLE | 3850823-24 |
| 8. | 8.147 | EMBLEM | 3872930 | | | | |



12-58

1966-67 CORVETTE—FRONT

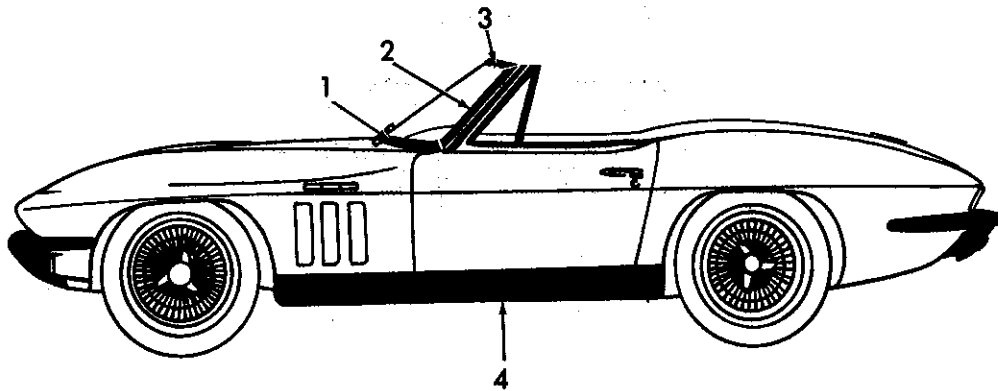
| | | | | | | |
|----|--------|-------------------------|------------|-------|------------------------------------|------------|
| 1. | 2.728 | BEZEL | 3845802-01 | 8.929 | 4-WASHER (15/32" x 59/64" x 5/64") | |
| 2. | 1.303 | EMBLEM | 3872929 | 8.900 | 2-BOLT (5/8") | |
| 3. | 10.093 | MOULDING | 3823439 | 8.931 | 2-L/WASHER (1/4" Med.) | |
| 4. | 10.093 | MOULDING | 3841254 | 8. | 7.831 BAR ASSY. | 3797337-38 |
| 5. | 10.093 | MOULDING | 3823443-44 | 8.900 | 2-BOLT (1-1/4" 300-M) | |
| 6. | 1.267 | GRILLE ASSY. | 3897389 | 8.900 | 2-BOLT (2-1/4" 300-M) | |
| 7. | 7.831 | BAR ASSY. | 3797439 | 8.931 | 4-L/WASHER (7/16" Med.) | |
| | 8.900 | 4-BOLT (1-1/4" 300-M) | | 9. | 2.585 LAMP ASSY. | 910552 |
| | 8.931 | 4-L/WASHER (7/16" Med.) | | | 2.587 1-SUPPORT | 3819648 |



12-59

1966-67 CORVETTE—REAR

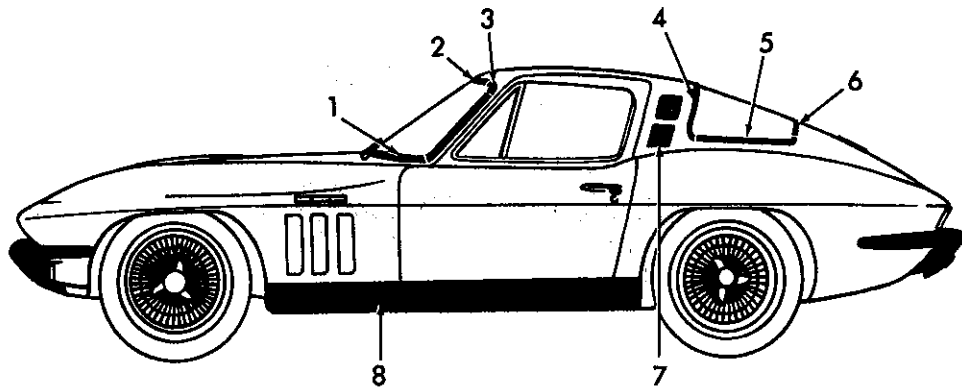
| | | | | | | |
|----|--------|-----------------|------------|-----|------------------------|------------|
| 1. | 2.679 | LAMP ASSY. | 910557-58 | 7. | 7.831 BAR | 3797232 |
| 2. | 11.208 | CAP | 3841679 | 8. | 12.182 PLATE | 3797414 |
| 3. | 11.208 | MOULDING | 3847981 | | 8.147 2-NUT ASSY. | 3752642 |
| 4. | 11.208 | MOULDING | 3847982 | 9. | 7.800 BEZEL | 3797486 |
| 5. | 11.208 | MOULDING | 3841687-88 | 10. | 7.831 BAR | 3797231 |
| 6. | 2.679 | LAMP ASSY. | 910553-54 | 11. | 3.705 BEZEL | 3892225-26 |



12-60

1965-67 CORVETTE CONVERTIBLE (MODEL 19467)

| | | | | | | | |
|----|--------|----------------|------------|----|--------|----------------|---------|
| 1. | 10.093 | MOULDING | 3841254 | 3. | 10.093 | MOULDING | 3823439 |
| 2. | 10.093 | MOULDING | 3823443-44 | 4. | 8.304 | MOULDING | 3859798 |



12-61

1965-67 CORVETTE COUPE (MODEL 19437)

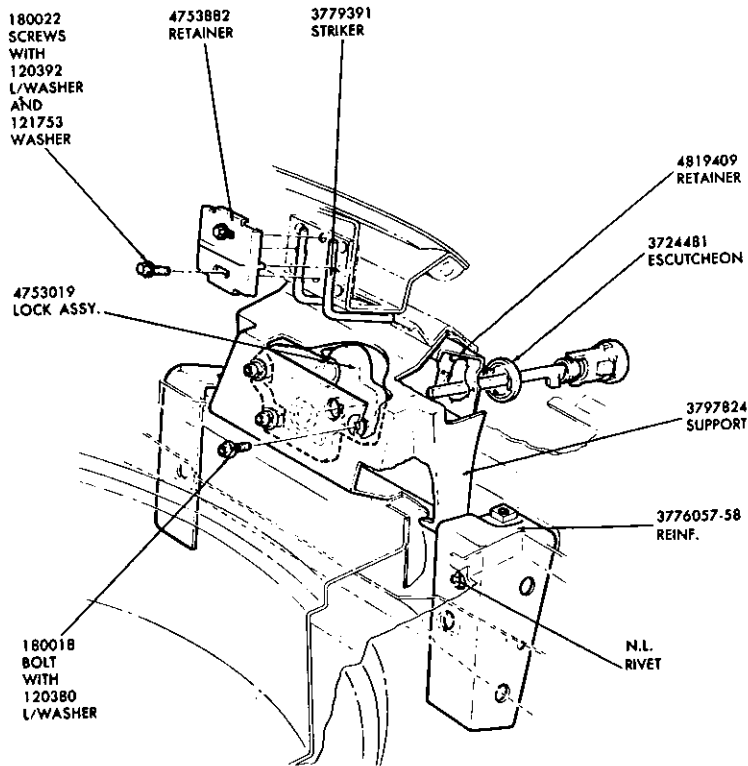
| | | | | | | | |
|----|--------|----------------|------------|----|--------|--------------------|------------|
| 1. | 10.093 | MOULDING | 3841251-52 | 6. | 11.208 | MOULDING | 3847982 |
| 2. | 10.093 | MOULDING | 3841255 | 7. | 12.811 | GRILLE-Upper | 3850823-24 |
| 3. | 10.093 | MOULDING | 3859044 | | 12.811 | GRILLE-Lower | 3850825-26 |
| 4. | 11.208 | MOULDING | 3847981 | 8. | 8.304 | MOULDING | 3859798 |
| 5. | 11.208 | MOULDING | 3841687-88 | | | | |

GROUP 13.000 BODY WIRING



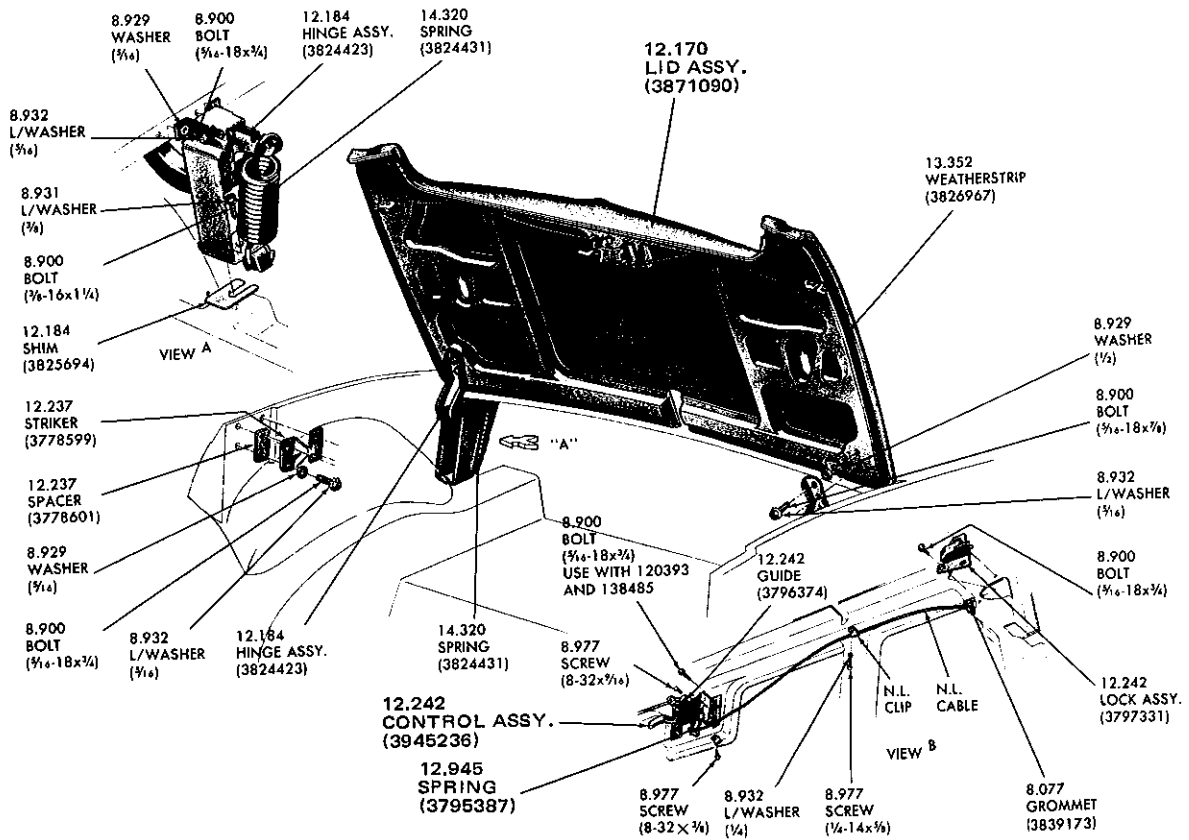
14.000 GROUP INTERIOR TRIM





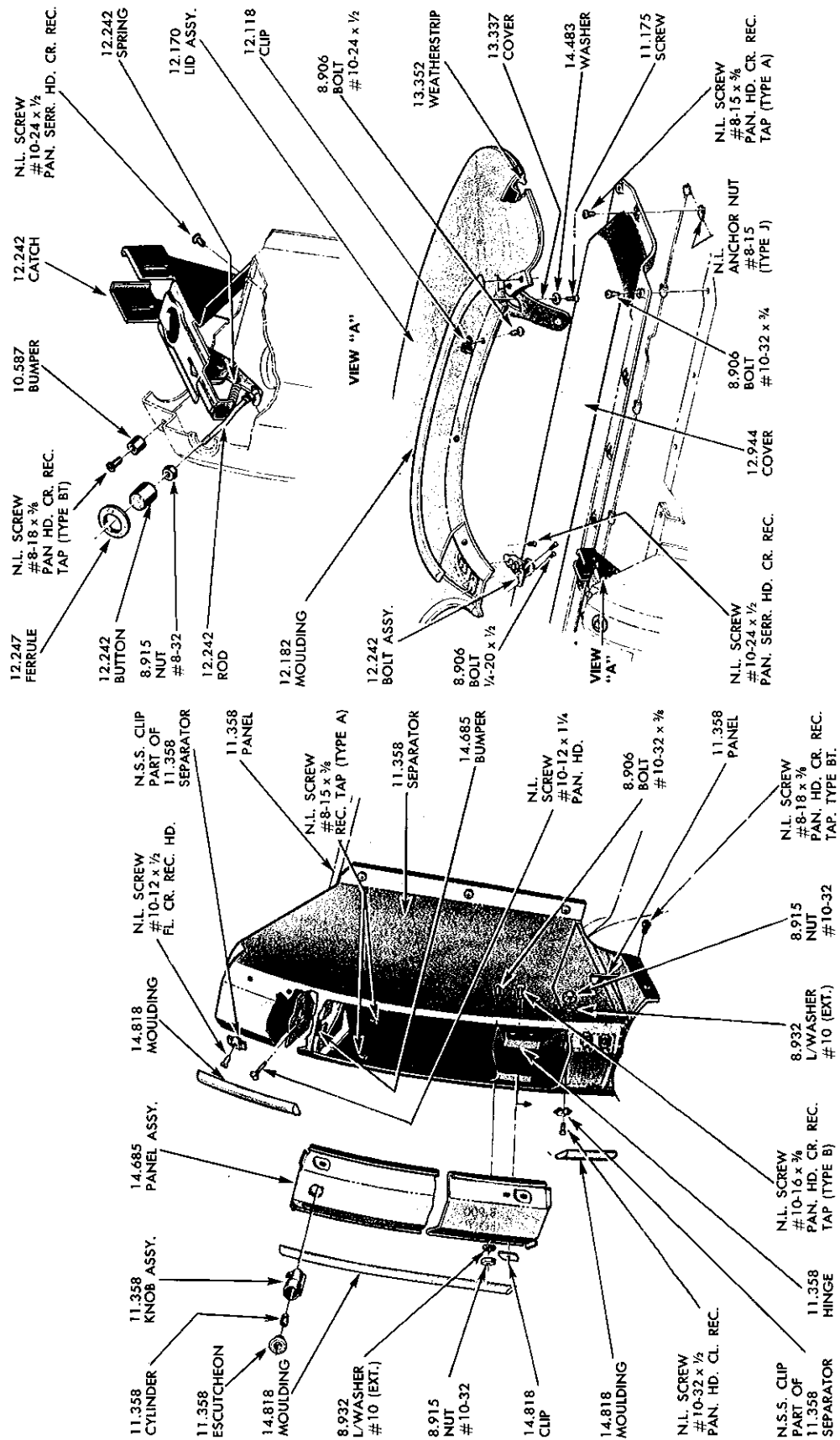
14-12

1961 CORVETTE DECK LID LOCK



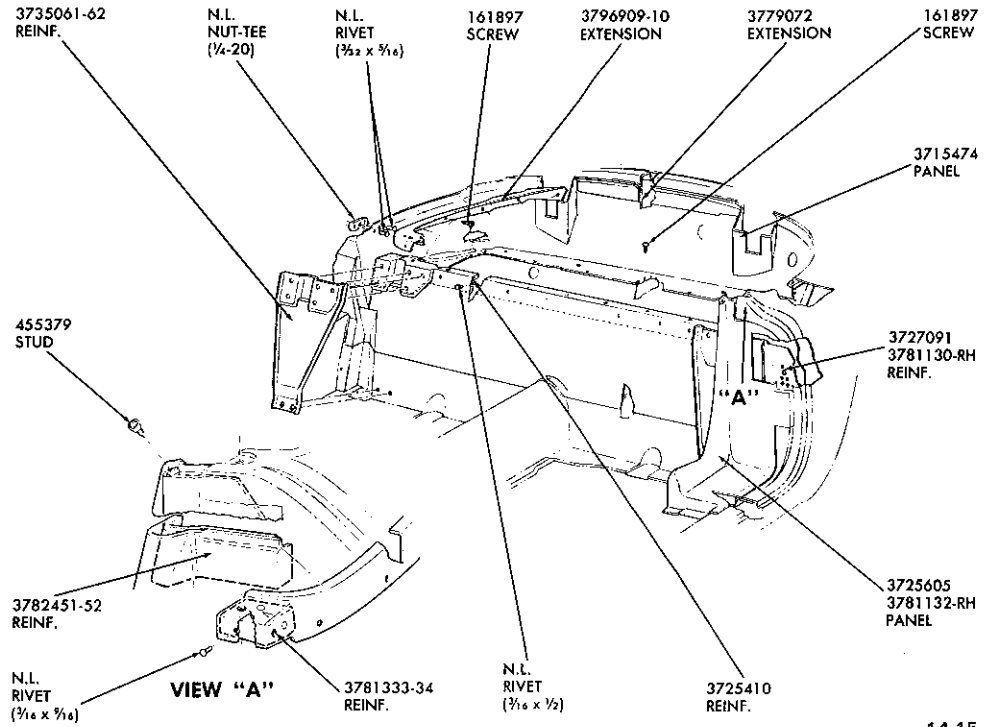
14-13

1963 CORVETTE FOLDING TOP LID DETAILS



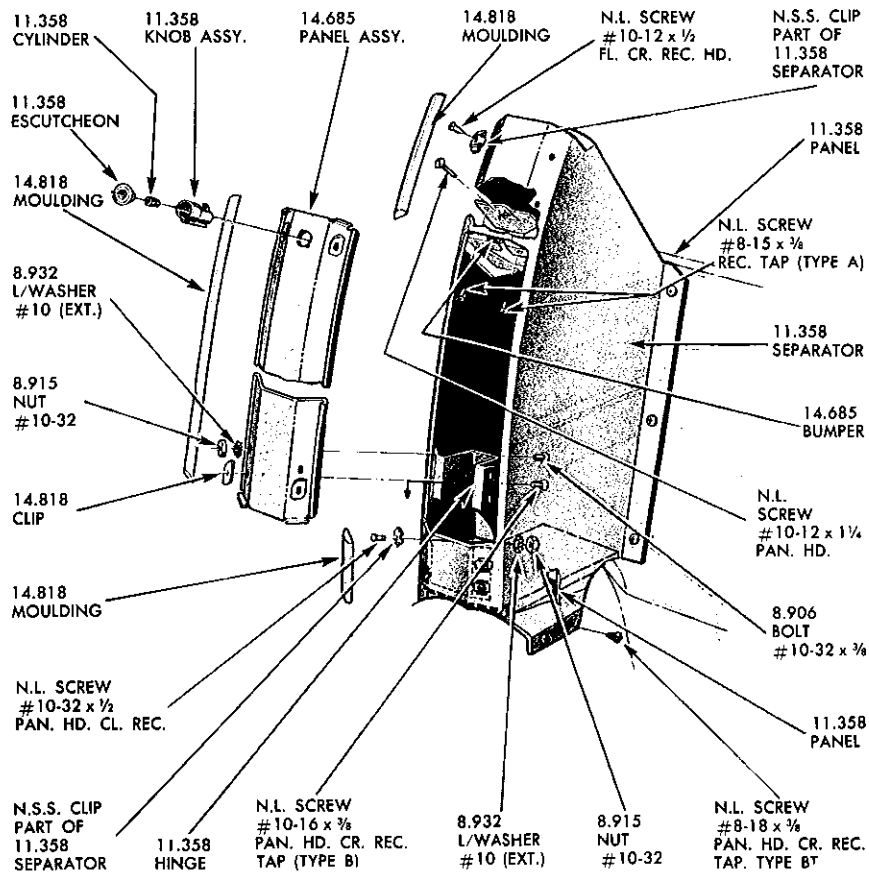
1958-62 CORVETTE FOLDING TOP LID

14-14



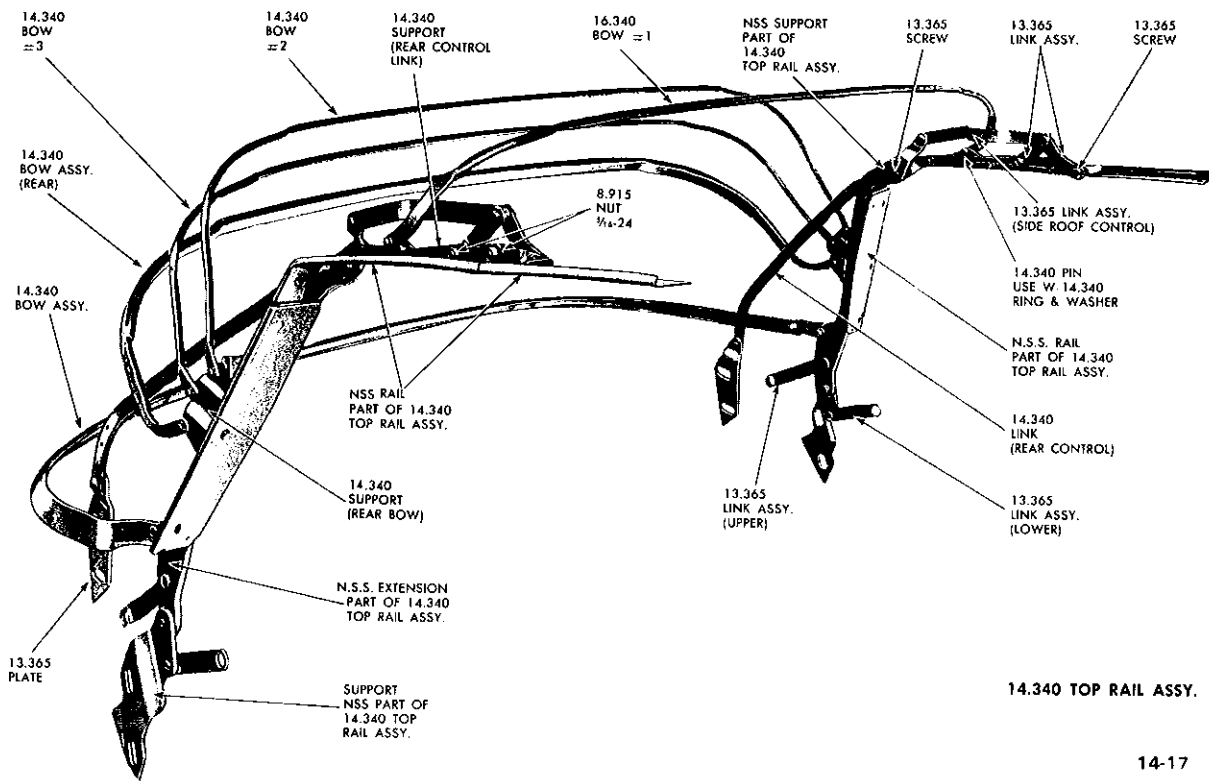
14-15

1961 CORVETTE REAR SEAT PANEL PARTS



14-16

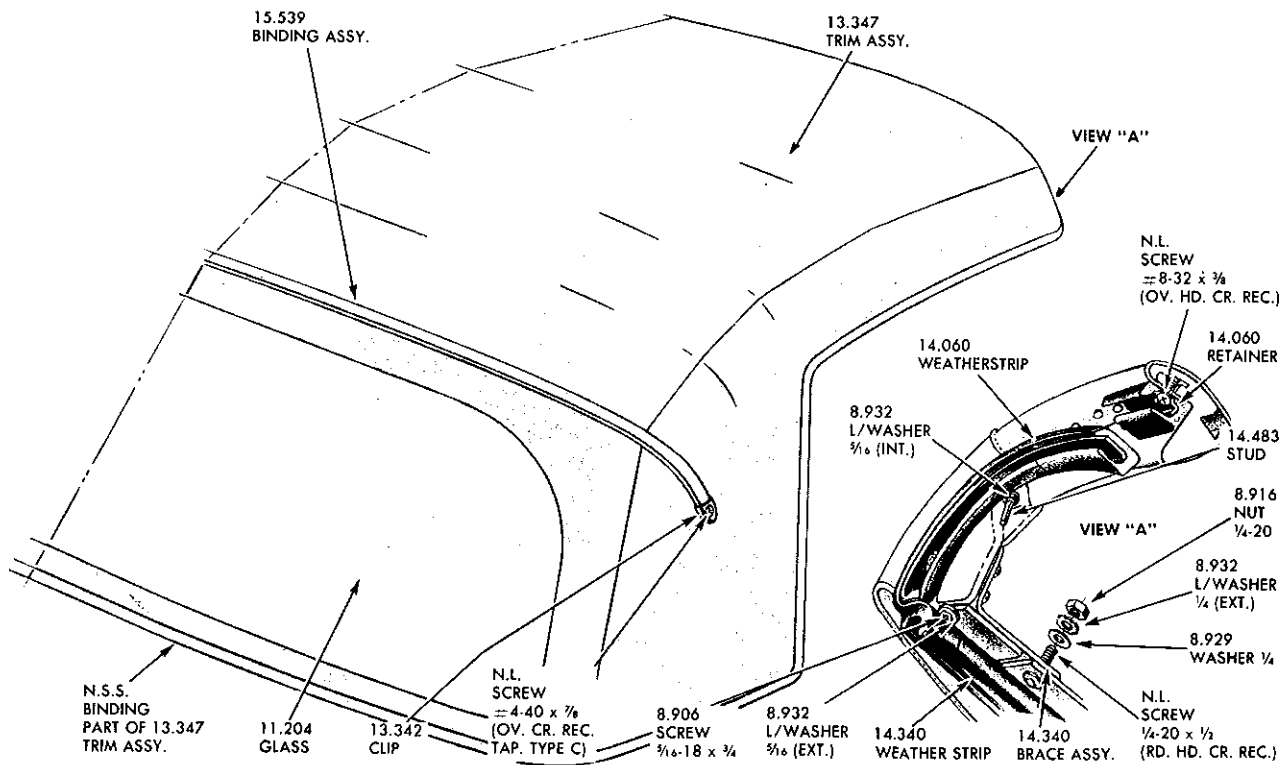
1958-62 CORVETTE SEAT SEPARATOR



14.340 TOP RAIL ASSY.

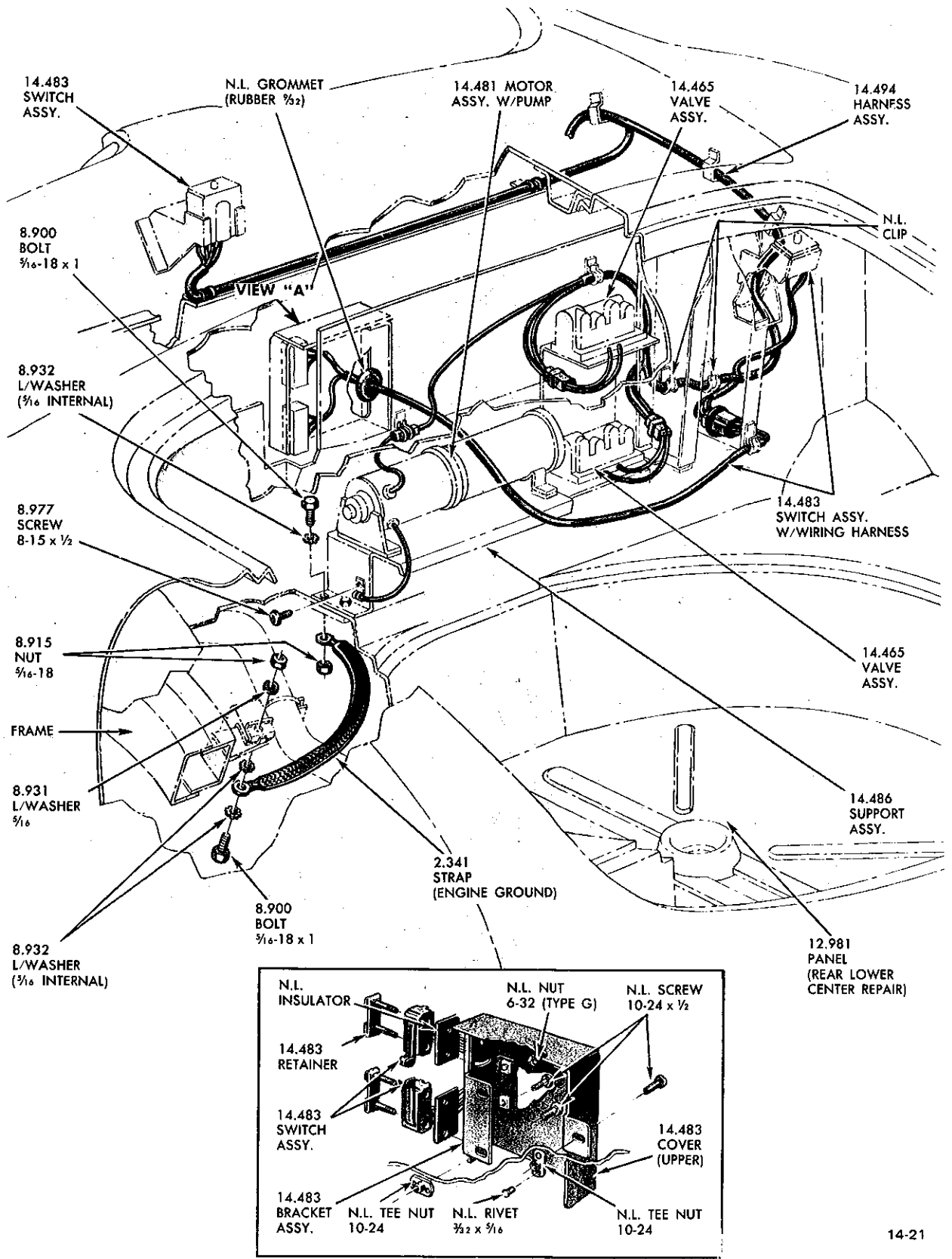
14-17

1956-62 CORVETTE TOP FRAME



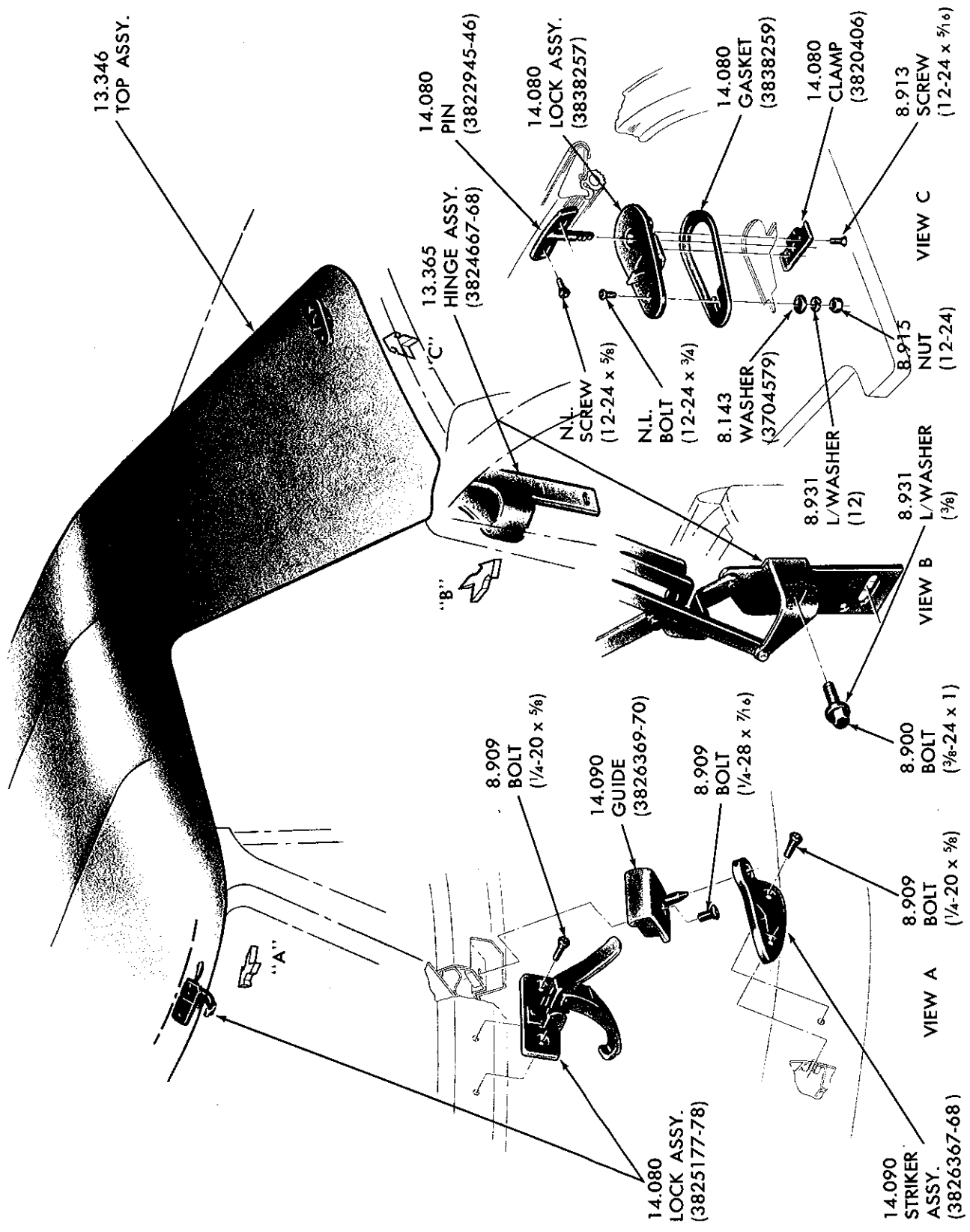
14-18

1959-62 CORVETTE FOLDING TOP



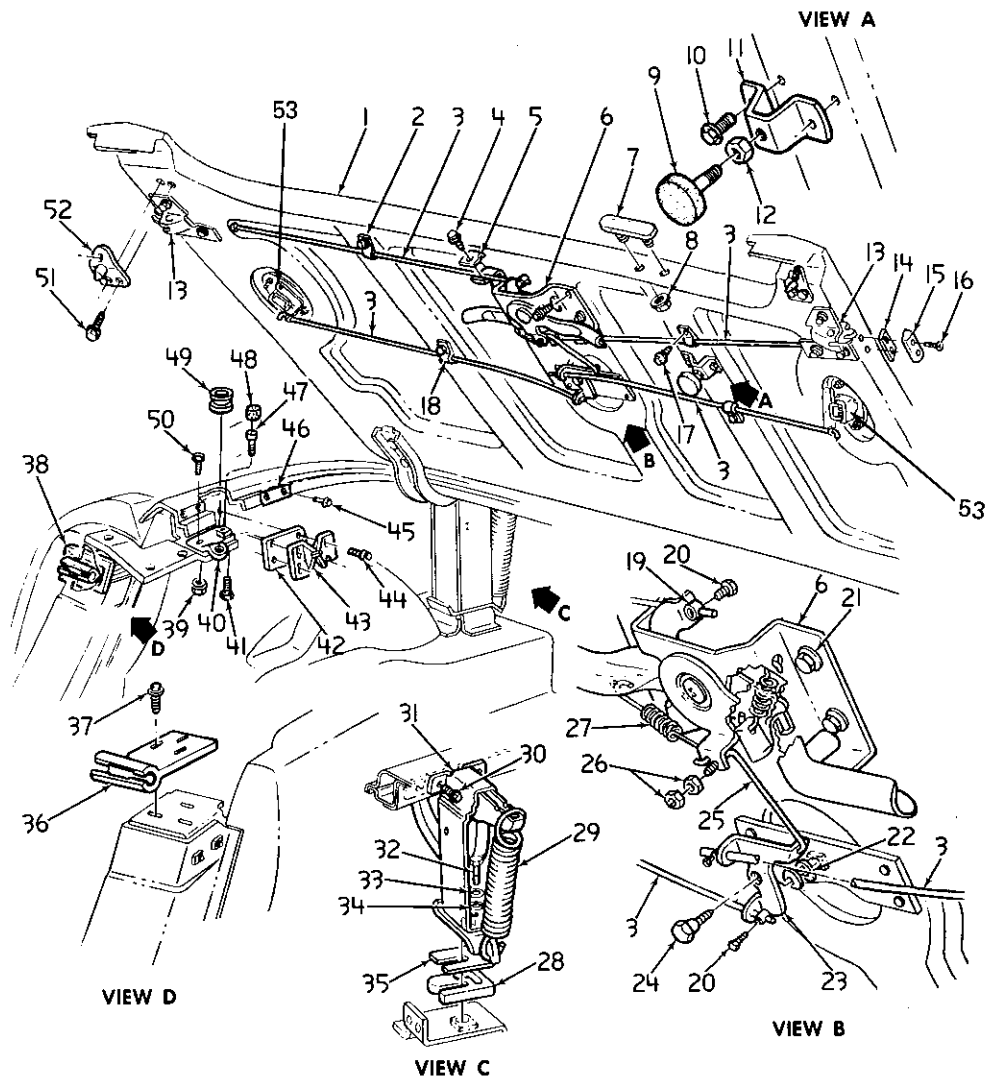
VIEW "A"

1958-62 CORVETTE HYDRAULIC FOLDING TOP DETAILS



14 23

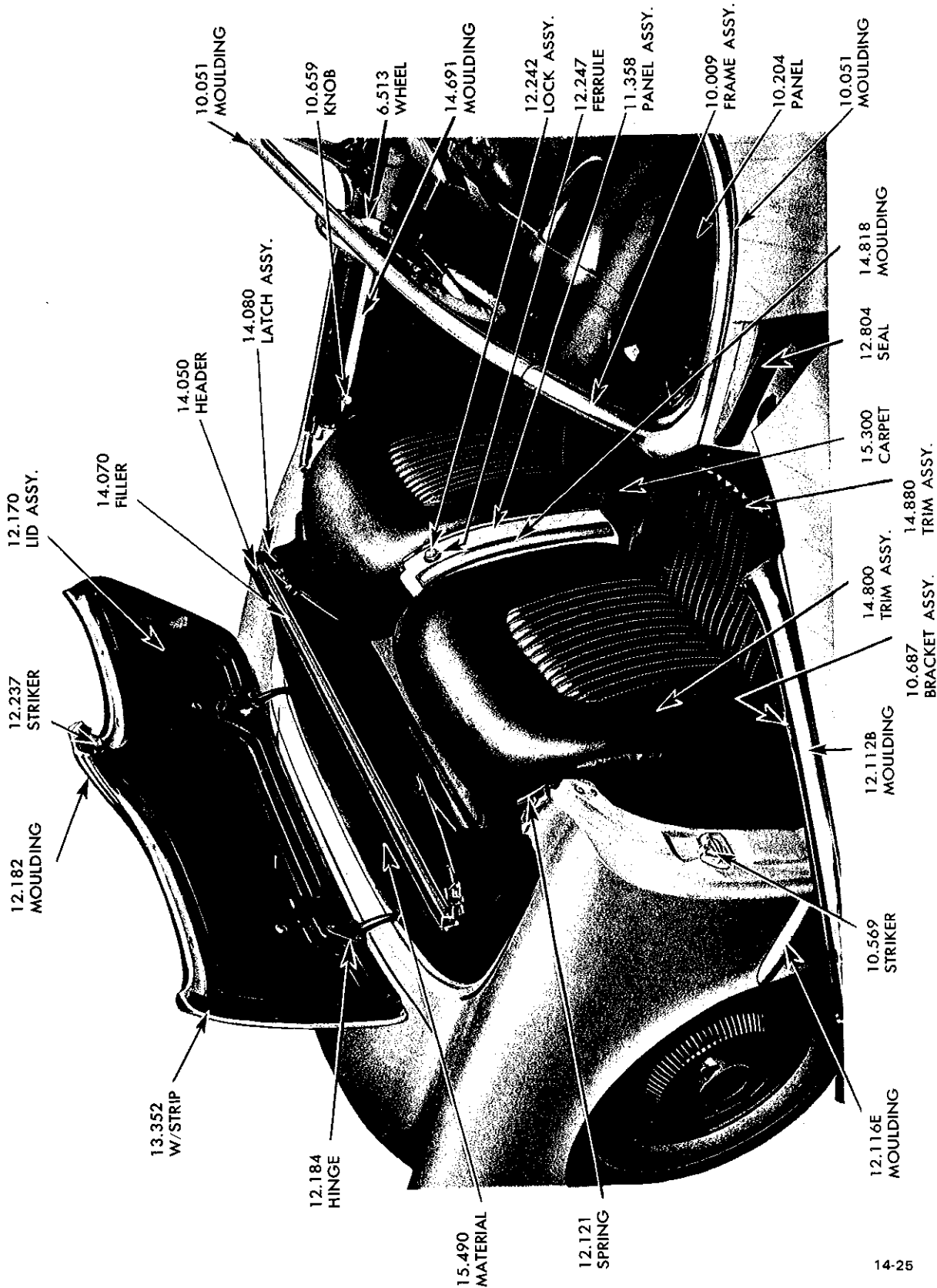
1963-67 CORVETTE TOP DETAILS



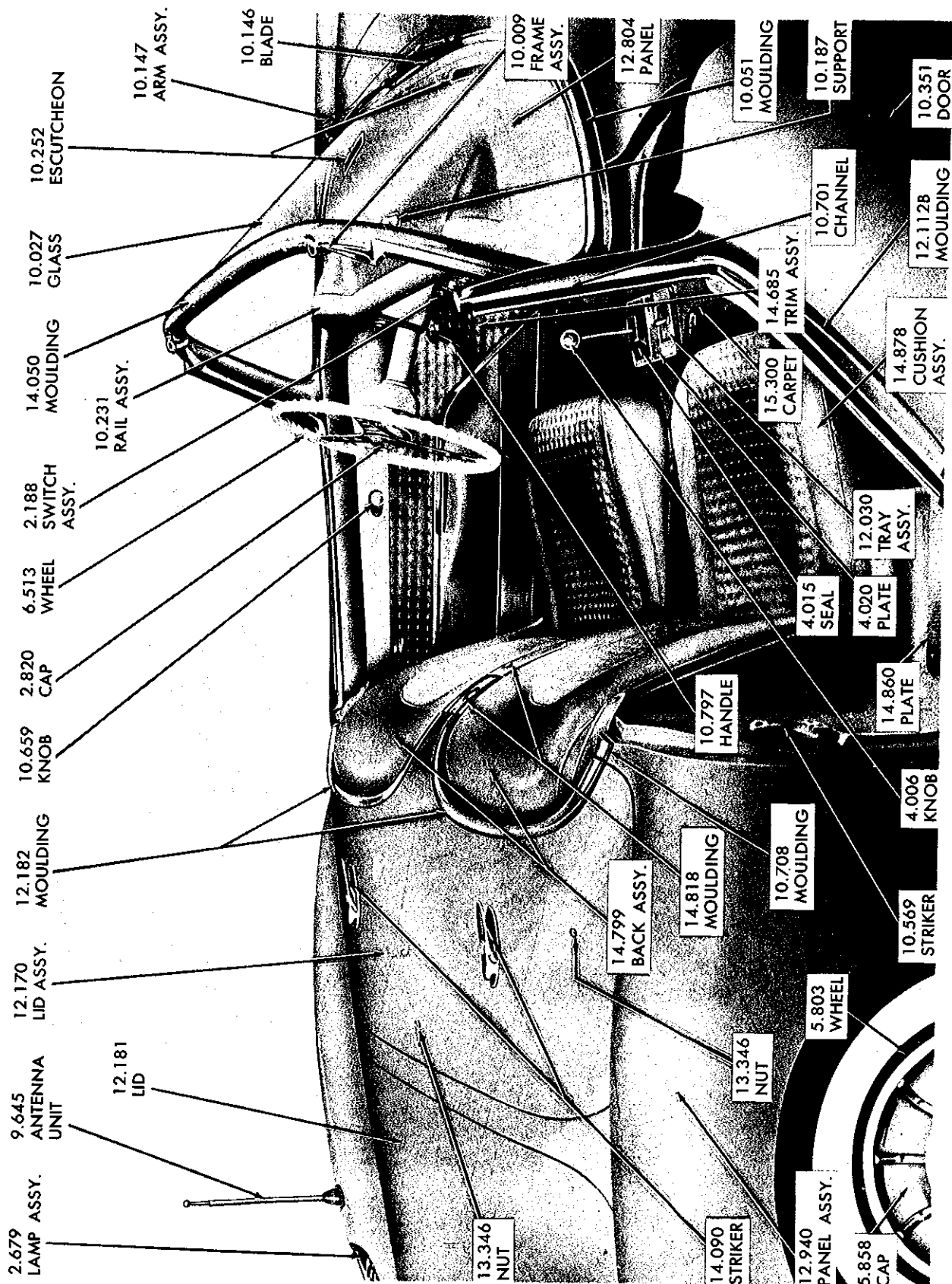
14-188

1968-75 CORVETTE FOLDING TOP LID DETAILS

- | | |
|------------------------------------|---------------------------------|
| 1. 12.170 LID ASSY. | 27. 12.945 SPRING |
| 2. 8.950 CLIP (5/16) | 28. 12.184 SPACER |
| 3. 8.075 CABLE ASSY. | 29. 14.320 SPRING |
| 4. 8.977 SCREW (No. 10-16 x 5/8) | 30. 8.900 BOLT (5/16-18 x 7/8) |
| 5. 9.787 CLAMP | 31. 12.184 SPACER |
| 6. 12.242 CONTROL ASSY. | 32. 8.900 BOLT (3/8-16 x 1-3/8) |
| 7. 11.390 BUMPER | 33. 8.929 WASHER (3/8) |
| 8. 8.932 NUT ASSY. (No. 10-24) | 34. 8.931 L. WASHER (3/8) |
| 9. 12.170 BUMPER ASSY. | 35. 12.184 SHIM |
| 10. 8.900 SCREW (1/4-20 x 5/8) | 36. 10.584 HOUSING |
| 11. 14.080 BRACKET ASSY. | 37. 8.977 SCREW (1/4-20 x 1") |
| 12. 8.915 NUT (3/8-16) | 38. 10.584 SEAL |
| 13. 12.242 LOCK ASSY. | 39. 9.782 NUT |
| 14. 10.584 SPACER | 40. 14.080 HOUSING |
| 15. 10.584 PLATE | 41. 1.428 SCREW ASSY. |
| 16. 8.977 SCREW (No. 8-32 x 11/16) | 42. 12.237 SPACER |
| 17. 8.977 SCREW (8-32) | 43. 16.335 STRIKER |
| 18. 8.950 CLIP (3/16) | 44. 8.977 SCREW (1/4-20) |
| 19. 3.483 GUIDE | 45. 8.977 SCREW (8-32) |
| 20. 8.977 SCREW (8-32) | 46. 10.584 PLATE |
| 21. 8.900 BOLT (5/16-18 x 7/8) | 47. 14.340 SCREW ASSY. |
| 22. 8.929 P. WASHER (5/8) | 48. 14.080 BUMPER |
| 23. 14.340 LEVER | 49. 12.170 BUSHING |
| 24. 14.340 SCREW | 50. 12.170 BOLT |
| 25. 14.340 ROD | 51. 12.807 BOLT |
| 26. 8.915 NUT (No. 6-32) | 52. 14.080 PIN |
| | 53. 14.080 LOCK ASSY. |

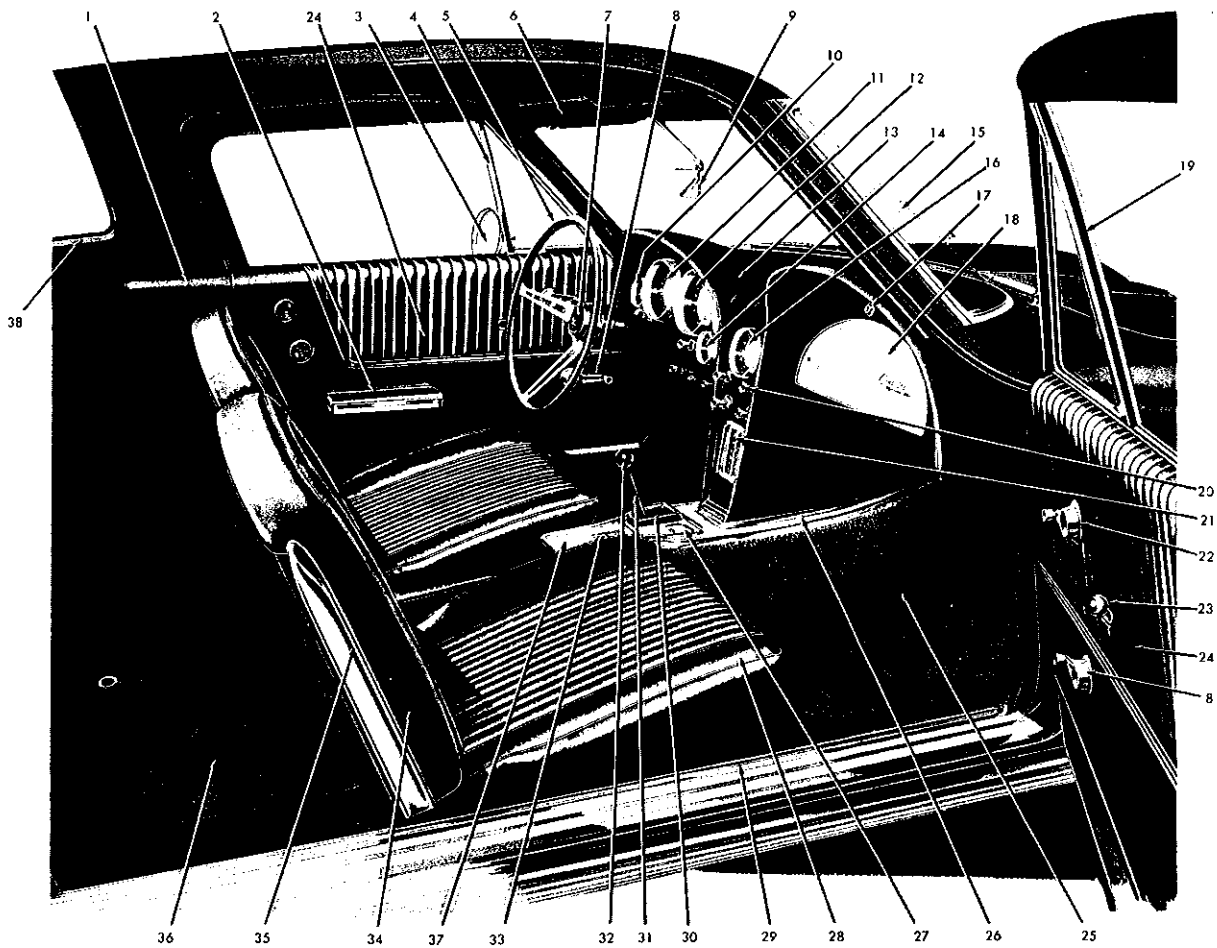


1953-55 CORVETTE INTERIOR



1956-57 CORVETTE INTERIOR (TYPICAL)

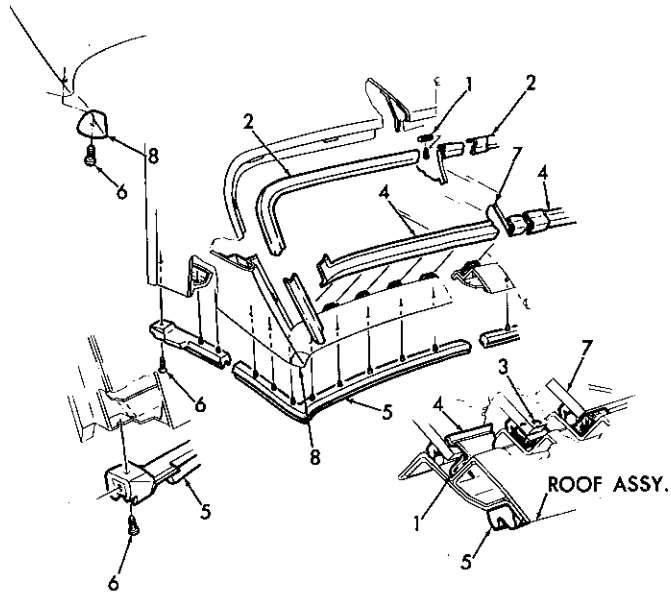
14-27



14-26

1963-67 CORVETTE INTERIOR

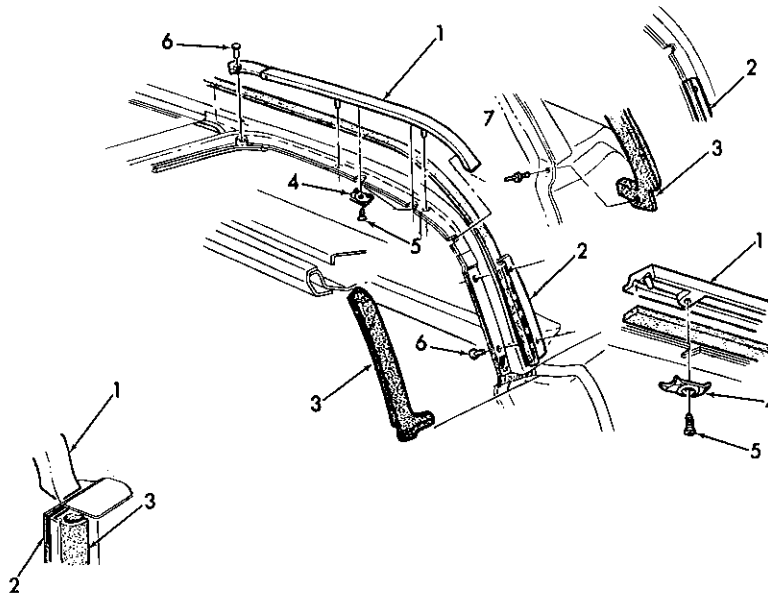
- | | |
|-------------------------------|------------------------------|
| 1. 15.099 COVER | 20. 9.787 KNOB |
| 2. 14.686 REST ASSEMBLY | 21. 9.650 RADIO |
| 3. 10.185 MIRROR ASSEMBLY | 22. 10.664 HANDLE |
| 4. 10.686 CHANNEL | 23. 10.152 KNOB |
| 5. 6.513 WHEEL | 24. 14.685 TRIM ASSEMBLY |
| 6. 10.203 SUNSHADE ASSEMBLY | 25. 15.300 CARPET |
| 7. 2.820 CAP ASSEMBLY | 26. 10.252 MOULDING |
| 8. 10.797 HANDLE | 27. 12.030 TRAY ASSEMBLY |
| 9. 10.185 MIRROR ASSEMBLY | 28. 14.787 CUSHION ASSEMBLY |
| 10. 1.148 GAUGE ASSEMBLY | 29. 11.175 PLATE |
| 11. 9.761 HEAD ASSEMBLY | 30. 4.015 SEAL |
| 12. 9.750 TACHOMETER ASSEMBLY | 31. 4.006 LEVER |
| 13. 14.655 PAD ASSEMBLY | 32. 4.006 KNOB |
| 14. 3.108 GAUGE ASSEMBLY | 33. 4.020 PLATE |
| 15. 10.027 GLASS | 34. 14.800 TRIM ASSEMBLY |
| 16. 9.772 CUSHION | 35. 10.242 HINGE |
| 17. 10.266 CASE ASSEMBLY | 36. 15.294 CARPET |
| 18. 10.261 DOOR | 37. 4.017 PLATE ASSEMBLY |
| 19. 10.686 CHANNEL | 38. 11.120 MOULDING ASSEMBLY |



14-210

1974-75 CORVETTE CONV. — REAR MLDG. & WEATHERSTRIP

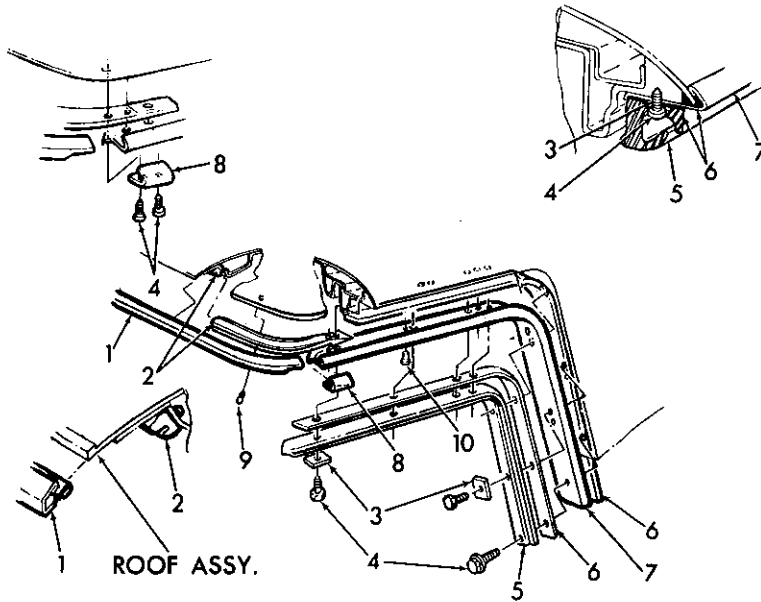
- | | | | |
|---|------------|---|------------|
| 1. 10.096 CLIP - Upper, Inner | 3913937 | 6. 8.977 SCREW | |
| 2. 11.208 MOULDING - Back Wdo. Upper. | 3912833-34 | 7. 11.204 GLASS - Back Window | 3912934 |
| 3. 10.096 SPACER - Windshield Reveal Mldg. | 4877156 | 8. 12.810 CAP - Roof Panel (R.H. - L.H.). | 3966791-92 |
| 4. 11.208 MOULDING - Back Wdo. Lower. | 3912835-36 | | |
| 5. 13.346 WEATHERSTRIP ASSY. - Roof Panel Rear | 3919691 | | |



14-211

1974-75 CORVETTE — SIDE DOOR WEATHERSTRIP ASSY. & ROOF MOULDINGS

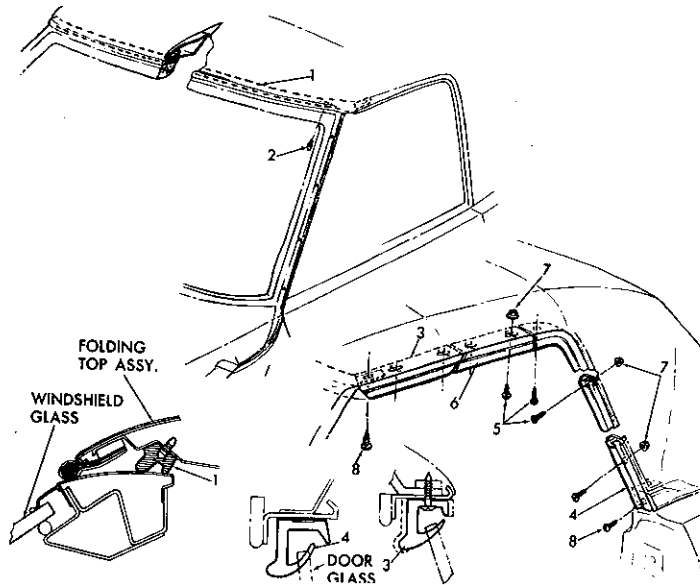
- | | | | |
|--|------------|--|---------|
| 1. 12.075 MOULDING - Rear Roof (R.H. - L.H.) | 3972307-08 | 4. 12.810 WASHER - Rear Roof Mldg. (6) | 3966796 |
| 2. 12.810 MOULDING - Rear Roof Lower (2) | 3935508 | 5. 8.908 SCREW - 3/8" | 9431792 |
| 3. 14.340 WEATHERSTRIP ASSY. - Side Door Glass Rear (R.H. - L.H.) | 3995013-14 | 6. 8.967 RIVET - 125 x .500 | 9423122 |
| | | 7. 8.967 RIVET - .187 x .532 | |



14-212

**1974-75 CORVETTE – FRONT & SIDE MLDG. WEATHERSTRIP
CONV. W/AUX. TOP**

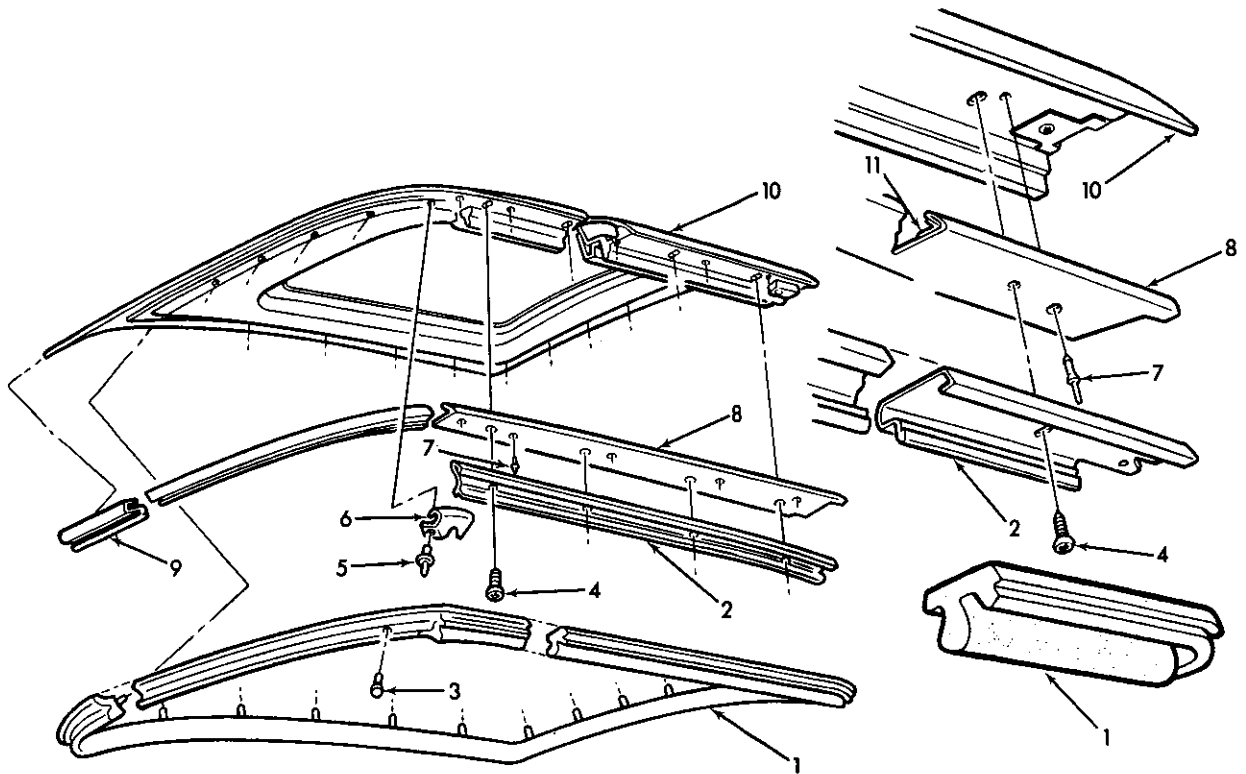
- | | |
|--|---|
| 1. 12.075 MOULDING - Front Roof Drip 3926408 | 7. 12.075 MOULDING - Side Front (R.H. - L.H.) 3912797-98 |
| 2. 14.060 WEATHERSTRIP - Roof Panel Header . 3974087 | 8. 12.075 CAP - Roof Panel Drip Mldg. (R.H. - L.H.) 3972305-06 |
| 3. 12.840 WASHER - Spl. 3922439 | 9. 10.695 FASTENER - Roof Panel Weatherstrip . 4876498 |
| 4. 8.977 SCREW | 10. 8.967 RIVET |
| 5. 14.190 WEATHERSTRIP - Roof Panel Side (R.H. - L.H.) 3964135-36 | |
| 6. 12.075 STRIP - Frt. Roof Panel Side Drip Mldg. Sealer. 7647551 | |



14-213

**1974-75 CORVETTE CONV. – HEADER WEATHERSTRIP ASSY.
SIDE RAIL WEATHERSTRIP ASSY.**

- | | |
|--|--|
| 1. 14.060 WEATHERSTRIP - Fldg. Top header . . 3974084 | 5. 8.977 SCREW 9419350 |
| 2. 10.695 FASTENER - Fldg. Top Header 4876498 | 6. 14.190 WEATHERSTRIP - Center Rail (R.H. - L.H.) 3945283-84 |
| 3. 14.120 WEATHERSTRIP - Fldg. Top Frt. Rail (R.H. - L.H.) 3972329-30 | 7. 8.921 NUT |
| 4. 14.260 WEATHERSTRIP ASSY. - Rear Rail (R.H. - L.H.) 3919615-16 | 8. 8.977 SCREW |



14-214

1974-75 CORVETTE – ROOF PANEL & WEATHERSTRIP

- | | | | |
|--|------------|---|------------|
| 1. 12.810 WEATHERSTRIP ASSY. - Front Panel (R.H. - L.H.) | 3966571-72 | 7. 8.967 RIVET - .187 x .350 | |
| 2. 12.810 RETAINER - w/Weatherstrip Front Roof Panel (R.H. - L.H.) | 3966777-78 | 8. 12.075 MOULDING - Front Roof Panel Side (R.H. - L.H.) | 3972303-04 |
| 3. 10.695 FASTENER - Roof Panel Weatherstrip | 4876498 | 9. 12.075 MOULDING ASSY. - Front Roof Panel (R.H. - L.H.) | 3935667-68 |
| 4. 8.977 SCREW - #10-24 x .375 | 9417639 | 10. 13.346A PANEL ASSY. - Front Roof (R.H. - L.H.) | 3981803-04 |
| 5. 8.967 RIVET | 9423122 | 11. 12.075 STRIP - Front Roof Pillar Side Drip Mldg. Sealer | 7647551 |
| 6. 12.075 CAP - Roof Panel Drip Mldg. (R.H. - L.H.) | 3972305-06 | | |